



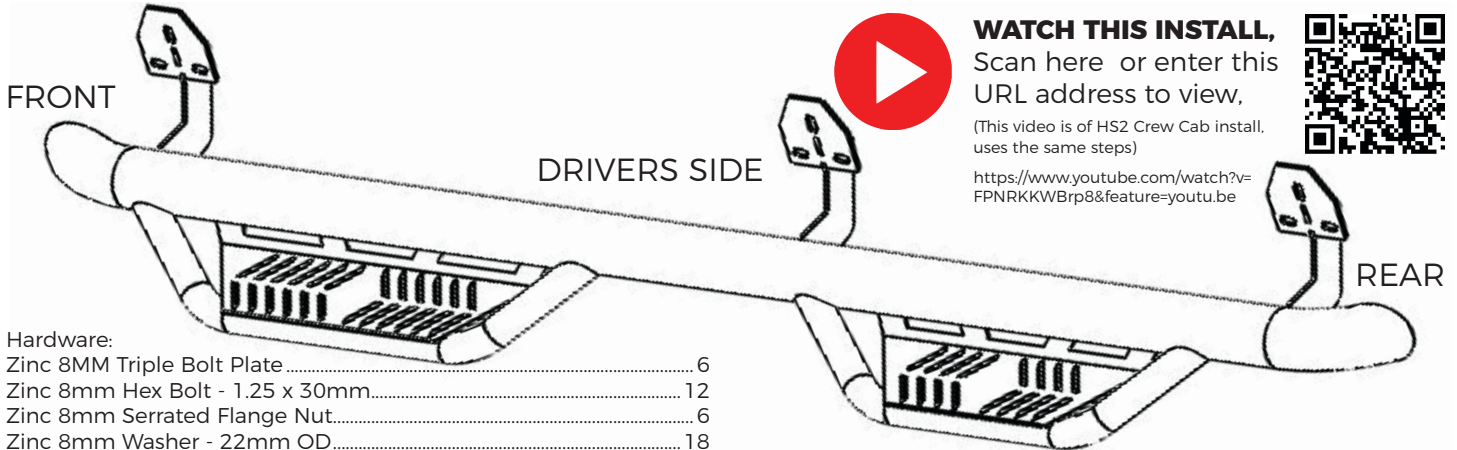
INSTALLATION INSTRUCTIONS

HAVOC HS2

NERF BAR WITH STEP

HPG-001207

2009-2014 RAM 1500 QUAD CAB



WATCH THIS INSTALL,
Scan here or enter this
URL address to view,

(This video is of HS2 Crew Cab install,
uses the same steps)

<https://www.youtube.com/watch?v=FPNRKKWBrp8&feature=youtu.be>



Hardware:

Zinc 8MM Triple Bolt Plate.....	6
Zinc 8mm Hex Bolt - 1.25 x 30mm.....	12
Zinc 8mm Serrated Flange Nut.....	6
Zinc 8mm Washer - 22mm OD.....	18
Plastic Retainer.....	6

STEP 1:

Identify the driver and passenger bars. The center bracket is closer to the rear step than the front. Use this to determine each side.



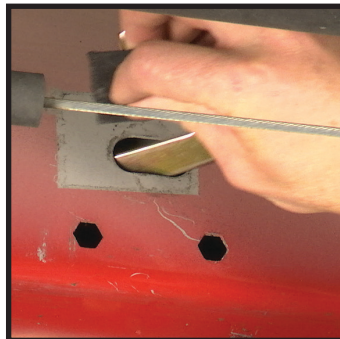
STEP 2:

Each mounting bracket consist of 3 mounting holes. All three holes will be used to mount to the truck.



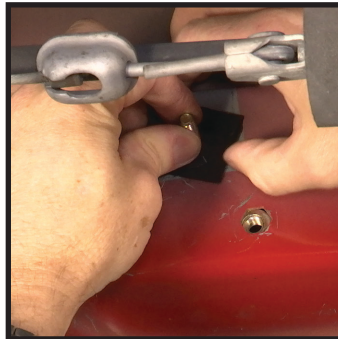
STEP 3:

First thread plastic retainer mid way down the stud on the bolt plate. Slide base of bolt plate through large hole and rotate into place. Make sure you can see the threads of the bolt plate in the lower two holes.



STEP 4:

While holding into the stud with one hand thread the plastic retainer down the stud to the body. Take your time here, avoid dropping bolt plate into the body.



STEP 5:

Carefully place HS2 step onto Place. Hand tightening the upper nut to bolt plate with washer. Best to have a assistant to lift and hold board in place. Insert and hand tightening lower bolts.



STEP 6:

Begin tightening nuts & bolts in a alternating pattern. **Avoid using power or air tools.** Tighten to 20ft lbs torque to secure the board to the truck. Repeat the same procedure to the other side.

