



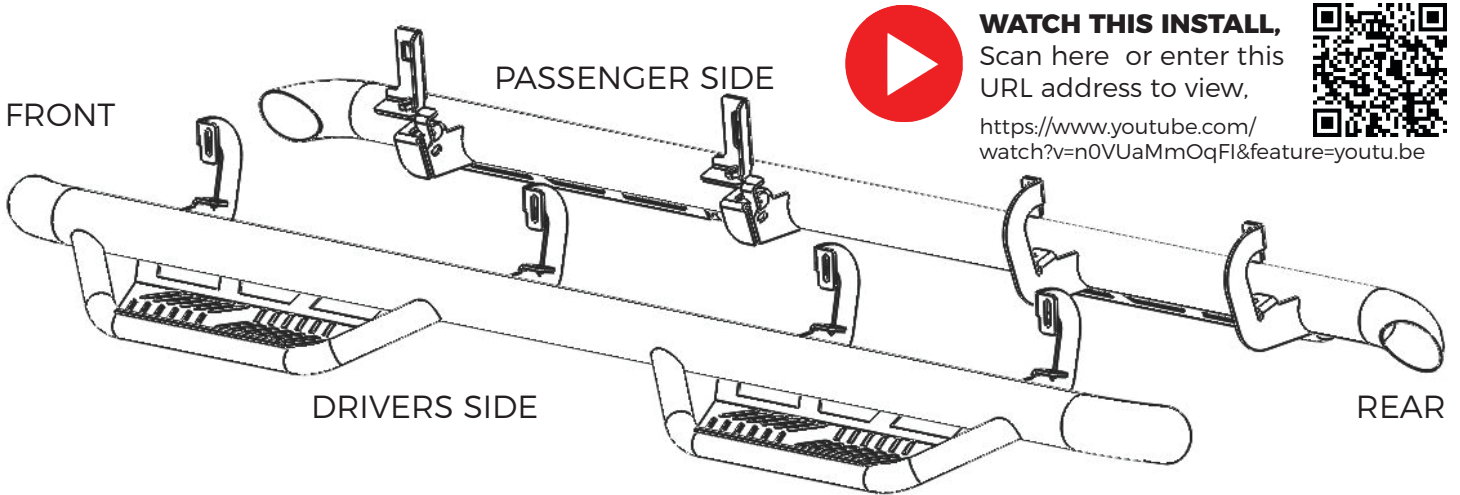
INSTALLATION INSTRUCTIONS

HAVOC HS2

NERF BAR WITH STEP

HPG-001160

2015-2019 GM HD CREW CAB W/ DIESEL ENGINE



WATCH THIS INSTALL,
Scan here or enter this
URL address to view,

<https://www.youtube.com/watch?v=n0VUaMmOqFI&feature=youtu.be>



Hardware:

Zinc 8mm U-Nut - 20mm center of hole to edge.....	12	Black 8mm Lock Washer.....	8
Zinc 8mm Hex Bolt - 1.25 x 25mm.....	7	Black 8mm Nylock nut.....	2
Zinc 8mm Washer - 22mm OD.....	7	Black 10mm Hex Bolt - 1.50 x 30mm.....	2
Zinc 8mm Lock Washer.....	7	Black 10mm Washers - 22mm OD.....	2
Black 8mm Hex Bolt - 1.25 x 25mm.....	8	Black 10mm Lock Washer.....	2
Black 8mm Washers - 15mm OD.....	8		

STEP 1:

Identify the driver and passenger bars. Drivers side has four one piece brackets and, passenger side front two brackets are two piece, the rear two are one piece.



STEP 3:

Insert spring loaded U nuts to the body of the truck.



STEP 2:

Each mounting bracket consist of 2 mounting holes. The upper large hole mounts to the body of the truck and the lower smaller hole to the pitch weld.



STEP 4 (Drivers Side):

Carefully place HS2 step into place. Use bolt, washer and begin hand tightening all 4 upper mountings. Best to have a assistant to lift and hold board in place.



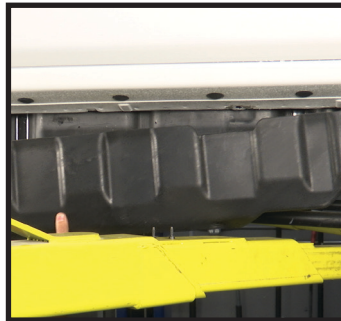
STEP 5 (Drivers Side): Insert black head bolt and washer through pinch weld hole and secure with locking nut and washer.



STEP 6 (Drivers Side): **Avoid using power or air tools.** Tighten pinch weld mounts first then upper bolts. Tighten to 20ft lbs torque to secure the board to the truck.



STEP 7 (Passenger Side): Remove plastic shield from DEF tank on passenger side of the truck.



STEP 8 (Passenger Side): First bracket has a tab that locates in the OE body mount hole.



STEP 11 (Passenger Side): Take bracket and feed between the body and the DEF tank from the back of the tank. You'll be able to fit and hand tighten bolt through the bracket to the body.

STEP 12 (Passenger Side): Carefully place passenger side step into place. Use bolt, washer and begin hand tightening both upper mountings and pinch weld mounting to the rear two brackets. Best to have a assistant to lift and hold board in place.



STEP 13 (Passenger Side): Use M8 bolt to align 2 piece bracket to the board, insert at the side and hand tighten. Apply to both first and second bracket.



STEP 14 (Passenger Side): Insert M10 bolt and washer going up through board, truck pinch weld and through the 2 piece bracket.



STEP 9 (Passenger Side): Take bracket and feed between the body and the DEF tank, feel and move until you locate the tab into the OE hole. The bracket will hang once placed correctly.



STEP 15 (Passenger Side): Snug hardware for the first and second bracket. Tighten the bolt going up through the pinch weld first to pull the board into place. Then tightening both side bolts.



STEP 10 (Passenger Side): The second bracket attaches to the body with a bolt rather than the tab like the first bracket.



STEP 16 (Passenger Side): **Avoid using power or air tools.** Tighten pinch weld mounts first then upper bolts. Tighten all hardware to 20ft lbs torque to secure the board to the truck.

