



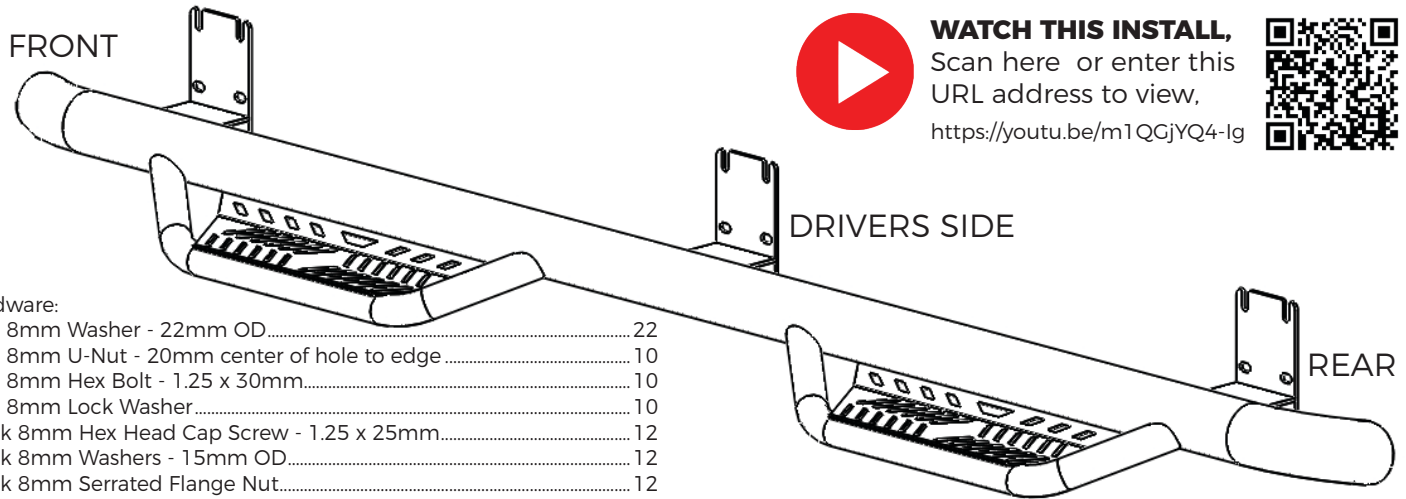
INSTALLATION INSTRUCTIONS

HAVOC HS2

NERF BAR WITH STEP

HPG-001033

1999-2016 FORD SUPERDUTY SUPERCAB



WATCH THIS INSTALL,

Scan here or enter this URL address to view,

<https://youtu.be/m1QGjYQ4-Ig>

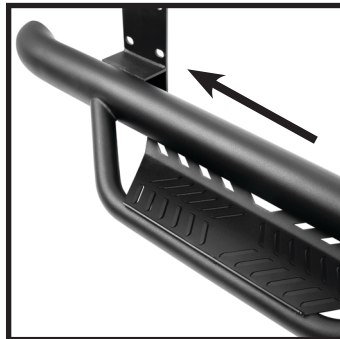


Hardware:

Zinc 8mm Washer - 22mm OD.....	22
Zinc 8mm U-Nut - 20mm center of hole to edge.....	10
Zinc 8mm Hex Bolt - 1.25 x 30mm.....	10
Zinc 8mm Lock Washer.....	10
Black 8mm Hex Head Cap Screw - 1.25 x 25mm.....	12
Black 8mm Washers - 15mm OD.....	12
Black 8mm Serrated Flange Nut.....	12

STEP 1:

Identify the driver and passenger bars. The longer section of tube from the bracket to the end goes to the front of the vehicle.



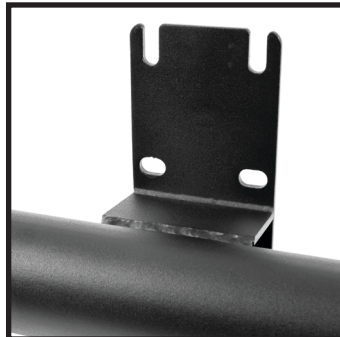
STEP 4:

Carefully place HS2 step into place. Insert black hex bolt (bolt head facing out) and washer through pinch weld hole and secure with flange nut and washer. Best to have a assistant to lift and hold board in place.



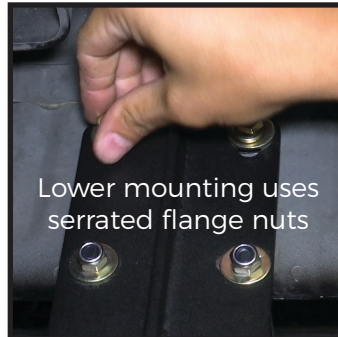
STEP 2:

Each mounting bracket consist of 4 mounting holes. The upper open holes mounts to the body of the truck and the lower holes to the pitch weld.



STEP 5:

Use bolt, washer and begin hand tightening upper mountings.



Lower mounting uses serrated flange nuts

STEP 3:

Insert spring loaded U nuts to the body of the truck. Use two on center and rear mount location. The front mount only uses one U nut.



STEP 6:

Begin tightening nuts in a alternating pattern. **Avoid using power or air tools.** Tighten to 20ft lbs torque to secure the board to the truck. Repeat the same procedure to the other side.

