



INSTALLATION INSTRUCTIONS

HAVOC HS2

NERF BAR WITH STEP

HPG-001012

2009-2014 FORD F150 SUPERCREW

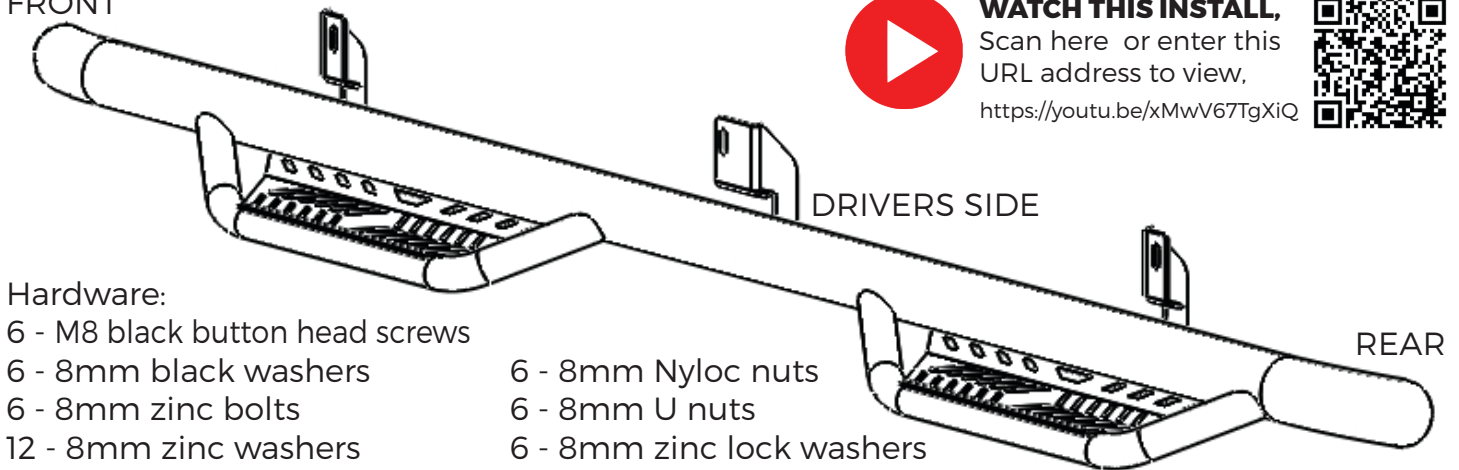
FRONT



WATCH THIS INSTALL,

Scan here or enter this URL address to view,

<https://youtu.be/xMwV67TgXiQ>



Hardware:

6 - M8 black button head screws

6 - 8mm black washers

6 - 8mm zinc bolts

12 - 8mm zinc washers

6 - 8mm Nyloc nuts

6 - 8mm U nuts

6 - 8mm zinc lock washers

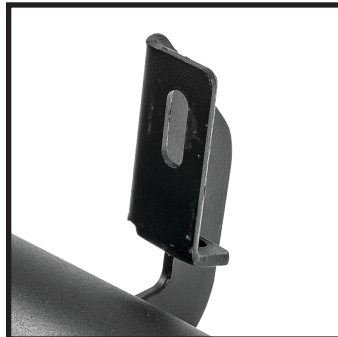
STEP 1:

Identify the driver and passenger bars. The longer section of tube goes to the front of the vehicle.



STEP 2:

Each mounting bracket consist of 2 mounting holes. The upper large hole mounts to the body of the truck and the lower smaller hole to the pinch weld.



STEP 3:

Insert spring loaded U nuts to the body of the truck. There is three per side. The front and rear clips need to be installed facing the rear of the truck.



STEP 4:

Carefully place HS2 step into place. Use bolt, washer and begin hand tightening all 3 upper mountings. Best to have a assistant to lift and hold board in place.



STEP 5:

Insert black button head bolt and washer through pinch weld hole and secure with locking nut and washer.



STEP 6:

Avoid using power or air tools. Tighten upper mounts first then pinch weld bolts. Tighten to 20ft lbs torque to secure the board to the truck. Repeat the same procedure to the other side.

