

INSTALLATION INSTRUCTIONS

55635

2006 - 2008 DODGE RAM 1500 / 2006 - 2009 HD RAM

Parts List:

QTY

- 1 (1) Bull Bar (Sold Separately)
- 2 (1) Main mounting brackets set
- 3 (1) Auxiliary bracket passenger side

(1) Hardware kit including (KTE-52324):

- 4 (1) 3/8 x 1" Carriage head bolt
- 5 (1) 3/8" Flat washers
- 6 (1) 3/8" Hex lock nut
- 7 (2) 1/2 x 2" Hex head bolt
- 8 (2) 1/2" Flat washers
- 9 (2) 1/2" Lock washers

Tools required:

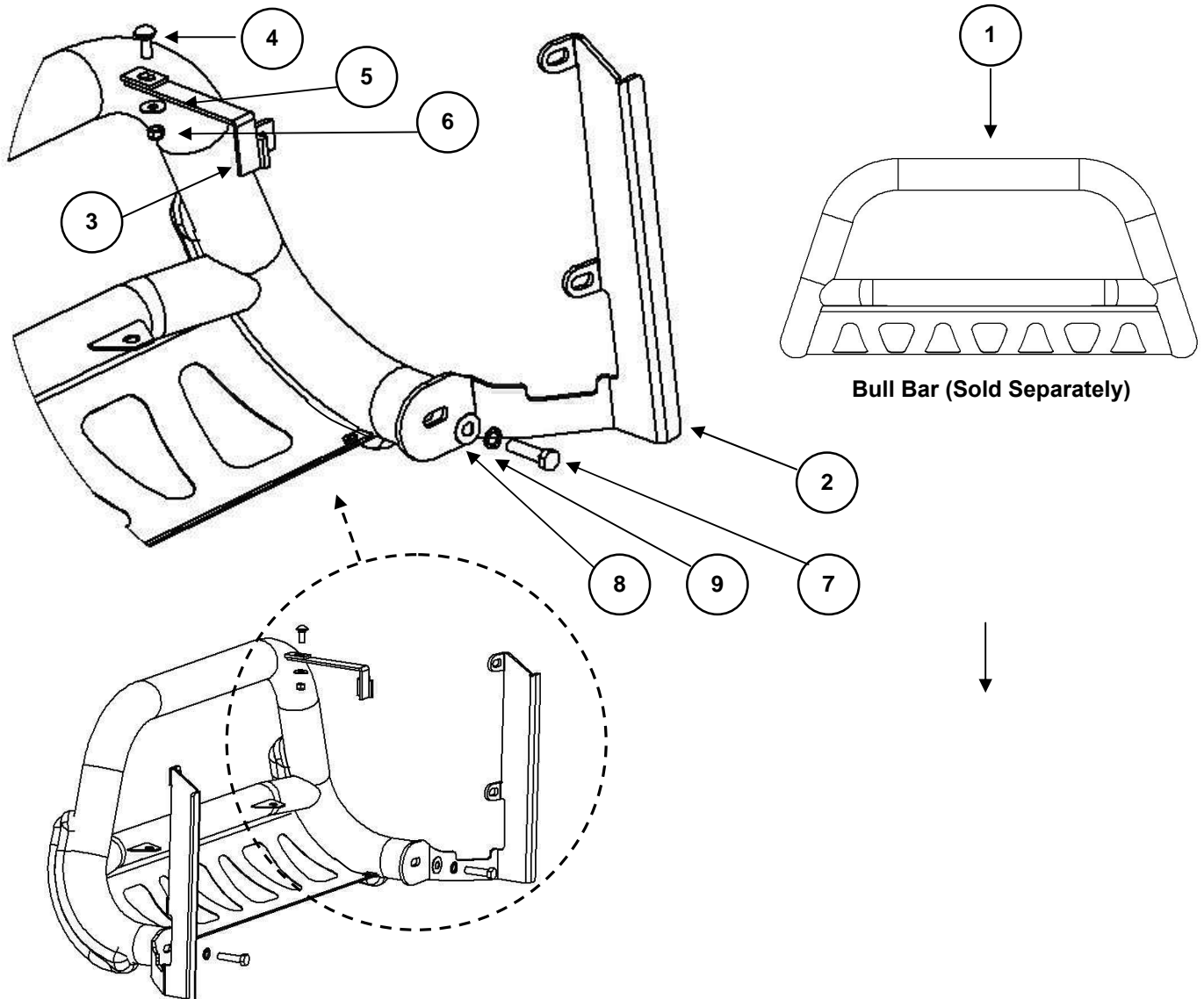
Socket & Wrench 9/16" Socket & Wrench 3/4" Extension for ratchet
Socket & Wrench 18 mm Ratchet

Instructions:

Approximated installation time: 30 min.

1. Before beginning the installation, please read the instructions thoroughly and verify that the hardware kit is complete. If any of the pieces listed above are missing, call you distributor immediately to obtain the necessary items.

ILLUSTRATION 1



Cleaning and care instructions:

Design:

Quality:

Protect the finish with a non-abrasive automotive wax, (e.g. Pure Carnauba) on a regular basis. The use of any soap, polish, or wax that contains an abrasive is detrimental to the finish, as the compounds scratch the finish and cause corrosion.

INSTALLATION INSTRUCTIONS

55635

2006 - 2008 DODGE RAM 1500 / 2006 - 2009 HD RAM

2. Locate and remove the nuts located inside the bumper, at the side of the frame. See picture 1. Repeat for the opposite side.

3. Install main mounting bracket and attach it with the nuts previously removed. See picture 2. Repeat for the opposite side. Leave loose.

PICTURE 1



Nuts to remove for the installation of main mounting bracket. Picture passenger side, inner part of the bumper.

PICTURE 2



Main mounting bracket installed. Picture passenger side, inner part of the bumper.

4. Open the hood, locate and remove the nut opposite to the ones where the passenger side main mounting bracket was attached. See picture 3. **NOTE: Only this side has auxiliary bracket.**

5. Install auxiliary bracket and attach with the nut previously removed. Leave loose. See picture 4.

PICTURE 3



Nut to remove for the installation auxiliary bracket. Picture passenger side inner part.

PICTURE 4



Auxiliary bracket installed. Picture passenger side, top view.

Cleaning and care instructions:

Design:

Quality:

Protect the finish with a non-abrasive automotive wax, (e.g. Pure Carnauba) on a regular basis. The use of any soap, polish, or wax that contains an abrasive is detrimental to the finish, as the compounds scratch the finish and cause corrosion.

INSTALLATION INSTRUCTIONS

55635

2006 - 2008 DODGE RAM 1500 / 2006 - 2009 HD RAM

6. Install Bull Bar on main mounting brackets using: (1) 1/2 x 2" hex head bolt, (1) 1/2" flat washer, (1) 1/2" lock washer. By each side. Leave loose.
7. Attach Bull Bar to the auxiliary bracket with: (1) 3/8 x 1" carriage head bolt, (1) 3/8" flat washer, (1) 3/8" lock nut. Leave loose.
8. Align Bull Bar, then tighten all bolts from bottom to top. **NOTE: be sure that when opening and closing the hood it does not make contact with auxiliary bracket.**
9. Do not use abrasive substances to clean your product.
10. Periodically check your product because it may need a re-tighten of bolts.
11. Fill the warranty card and place it inside your vehicle's glove box.

PICTURE 5



BULL BAR INSTALLED

Cleaning and care instructions:

Design:

Quality:

Protect the finish with a non-abrasive automotive wax, (e.g. Pure Carnauba) on a regular basis. The use of any soap, polish, or wax that contains an abrasive is detrimental to the finish, as the compounds scratch the finish and cause corrosion.