

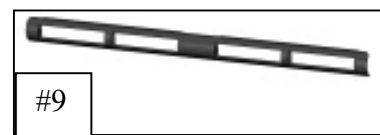
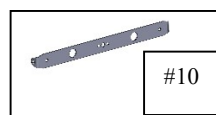
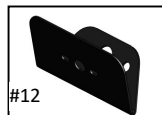
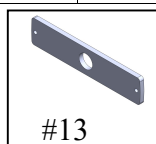
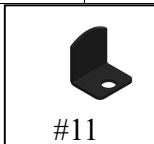
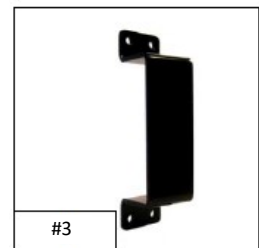
Installation Instructions

Road Defender Push Bumper Part # 5340-4L72-M1B

2013 - 2015 Ford Interceptor Utility

Do not attempt to install this product on any vehicle other than the one listed above!

Parts List				
Item	QTY	Code	Description	Max Torque
1	1 pc	5342-F	Push Bumper Body	
2	2 pcs	534020	Main bracket	
3	2 pcs	534010	Clamp bracket	
4	2 pcs	534031	Driver side extension bracket	
5	2 pcs	534032	Passenger side extension bracket	
6	24 pcs		3/8 x 1" hex bolt	
7	24 pcs		3/8" lock washer	
8	24 pcs		3/8" hex nut	30 Lbs Ft
9	1 pc	4L72-M1B0AA	Lighted Bar Assembly	
10	2 pcs	4L72-M1B6CA	Auxiliary Bracket Light	
11	2 pcs	2L72-M1B4BA	Support Bracket	
12	2 pcs	2L72-M1B0CA	Lateral support	
13	2 pcs	2L72-M1B4AA	Spacer	
14	1 pcs	KTE-4L72-M1B	Hardware kit	10 Ft. Lbs.
15	4 pcs		1/4 x 2" Allen Head Bolt	10 Ft. Lbs.
16	2 pcs		1/4 x 1/2" Allen Head Bolt	10 Ft. Lbs.
17	2 pcs		1/4 x 1 3/4" Allen Head Bolt	10 Ft. Lbs.
18	2 pcs		1/4" Lock Washer	



Tool Required:

1/8" Allen wrench
 8mm, 10mm, & 9/16" Socket
 9/16" Wrench
 Philips & Slotted Blade Screw Driver
 Ratchet & Ratchet Extension
 Utility Knife
 Tape Rule

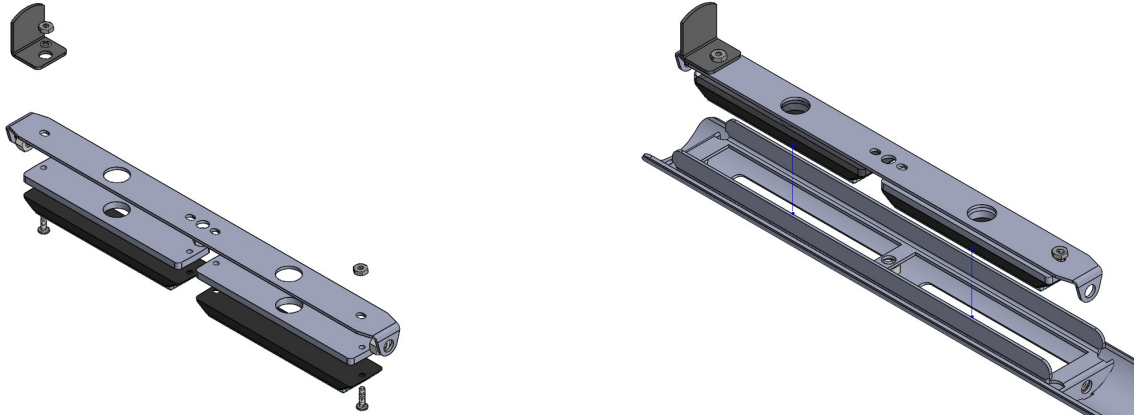
Approximated installation time: 60 min.

Read the installation instructions completely and verify that all of the parts listed are accounted for. If you have defective, missing or damaged parts or need assistance, please contact Go Rhino Products for fast, friendly customer service at: 1-888-427-4466 or email: warranty@gorhino.com

To maintain and care this product keep it clean and do not use abrasive cleaners or polish waxes. It is recommended to use only non-abrasive automotive wax such as pure carnauba to avoid scratches and rust.

Light Bar Assembly

1. Assemble the lights using (1) support bracket, (1) auxiliary bracket, (2) spacers, (2) #6-32 allen head bolt, (2) #6-32 lock nut and (1) #6-32 flat washer



2. Place the light on top of the mask bracket and align it. Secure the assembly using (3) 1/4" x 3/4" allen head bolt **See image 2 & 3.**



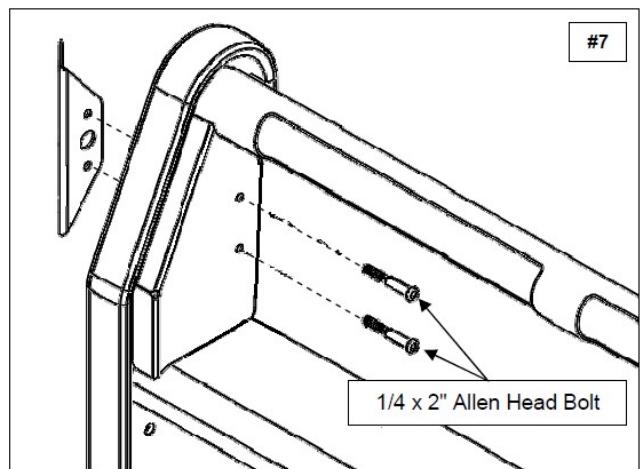
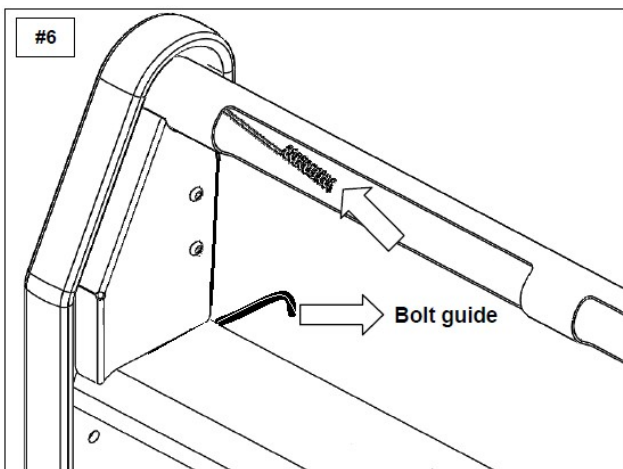
3. Repeat steps 1 , 2 & 3 for the other light.

Note: Make sure that all the lights have the same orientation.

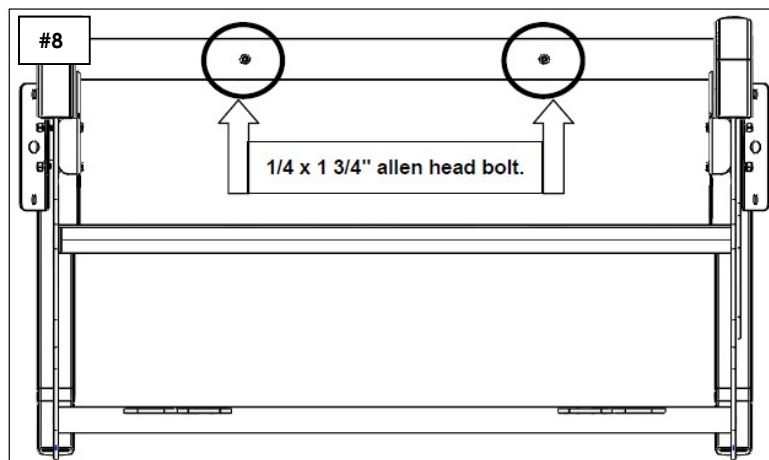
4. Refer to the installation and maintenance manual included with the lights to wire and configure the flash pattern. Note: Leave several feet of connector cable for connection to the light controller

5. Feed the connector cable through the hole in the front bar channel and side panel until the hole in the push bumper center plate. Use the bolt guide attached to the side plate. **See image 6.**

6. Place the lateral lights support in upright and attach using: (2) 1/4 x 2" Allen Head Bolt. Repeat for the other side. **See image 7. Note:** If you do not want to install the lateral lights support, attach with: (2) 1/4 x 2" Allen Head Bolt, (2) 1/4" flat and lock washers, (2) 1/4" hex nuts by each side.



7. Secure the light bar assembly to the light bar tube using two 1/4"x1 3/4" allen head bolt. **See image 8.**



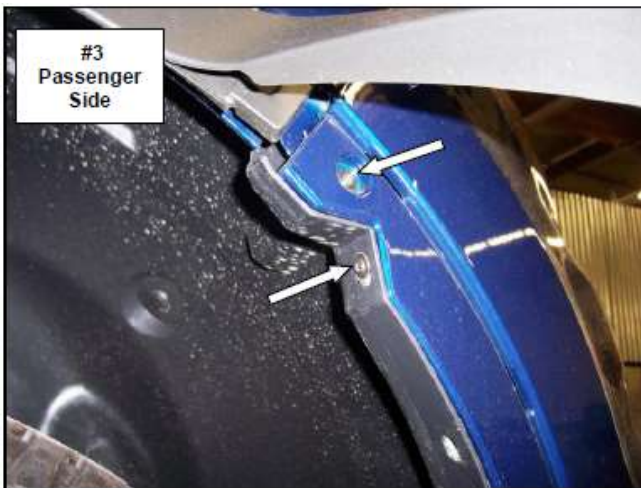
Front Bumper Fascia Removal

1. Open the hood, locate and remove the (7) hex bolts and (2) plastic connectors securing the radiator cover and bumper fascia. **Picture #1**

2. On each side, remove the (6) Phillips screws attaching the fender liner to the fascia. **Note:** (4) screws are on the outside, attaching the fender liner and fender flare to the fascia **Picture #2** and (2) screws are under the fender flare, attaching the fascia to the fender. **Picture #3**



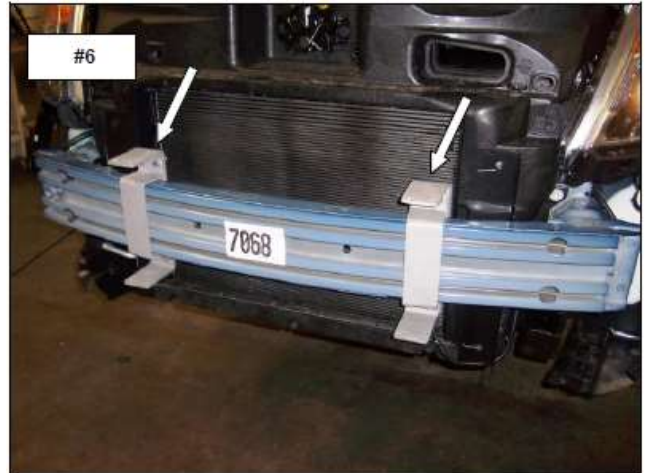
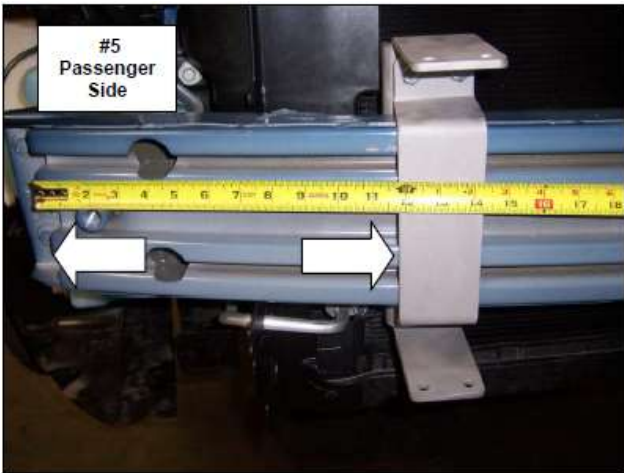
3. Remove the (9) hex bolts attaching the fascia to the core support and fender liner. **Note:** **Picture #4** shows the three Passenger side bolts and two center bolts only.



4. With assistance pull out on the sides to release the corners of the bumper fascia and forward to remove it from the vehicle. **Note:** Unplug the fog lights and parking sensors, if the vehicle is so equipped.

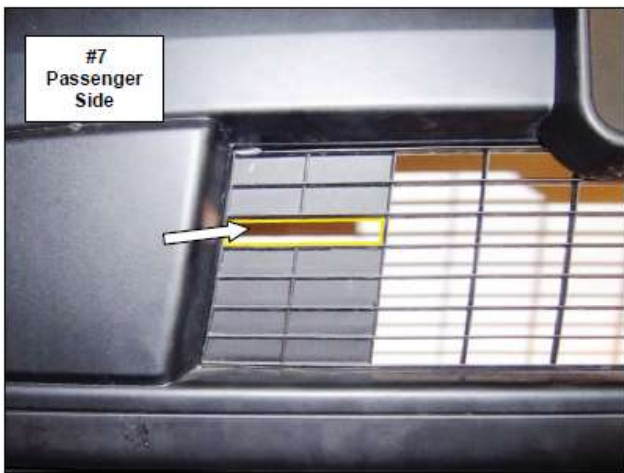
Push Bumper Installation

1. Beginning with the passenger side, assemble and attach one of the main and clamp brackets to the steel impact beam using (4) 3/8" X 1" hex bolts, (4) 3/8" lock washer and (4) 3/8" hex nuts. Position the top and bottom edge of the bracket assembly approximately 11 3/4" from the end of the impact beam and tighten the nuts and bolts. Repeat this step for the driver side. **Picture #5 & #6**

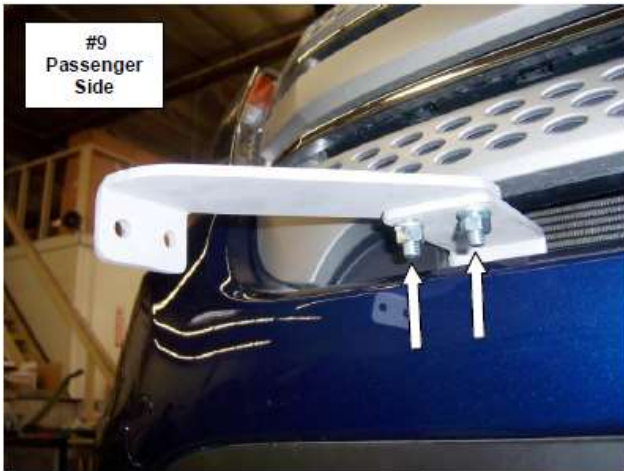


2. An area in each side of the lower grille must be cut out for the lower leg of the main bracket to extend through. Measure, cut and remove the outlined area from the lower grille as shown. **Picture #7**

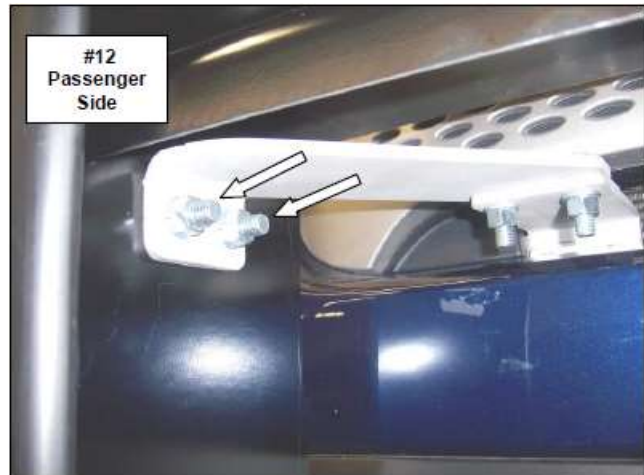
3. Reinstall the bumper fascia reversing the above steps. **Picture #8**



4. Attach each of the passenger side extension brackets to the main bracket using (2) 3/8" x 1" hex bolts, (2) 3/8" lock washers and (2) 3/8" hex nuts. Leave the nuts and bolts loose for final adjustment. Repeat this step for the driver side. **Picture #9 & #10**



5. Attach the push bumper to each of the extension brackets using (2) 3/8" x 1" hex bolts, (2) 3/8" lock washers and (2) 3/8" hex nuts. Leave the nuts and bolts loose for final adjustment. **Picture #11 & #12**



6. Align the push bumper with the vehicle and tighten all nuts and bolts. **Picture #13 & #14**

