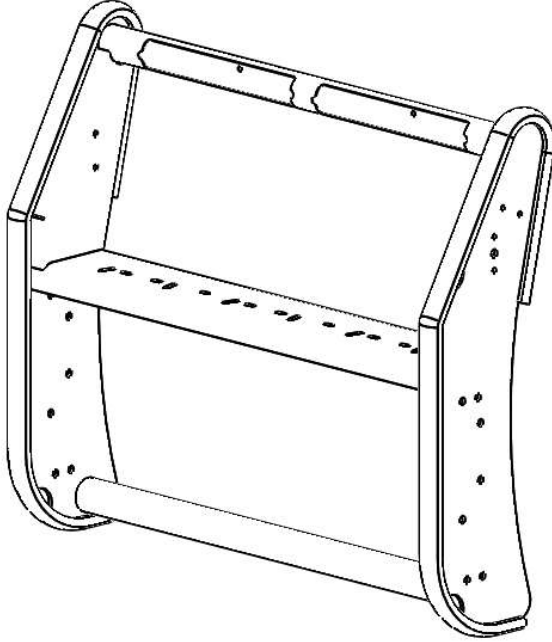




INSTALLATION INSTRUCTIONS



PART NO.

- 5201-4L72-M1B

PRODUCT DESCRIPTION:

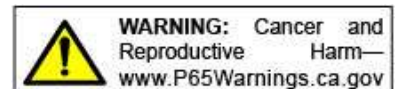
- 5000 SERIES ROAD DEFENDER PUSH BUMPER LR

APPLICATION:

- DODGE DURANGO-PURSUIT, SRT, RT

PRODUCT SAFETY & LEGAL DISCLAIMER

- **IMPORTANT READ ALL INSTRUCTIONS CAREFULLY BEFORE INSTALLING, FAILURE TO DO SO MAY CAUSE PERSONAL INJURY OR DAMAGE TO PRODUCT AND/OR PROPERTY.**
- **Review the product package and contents prior to beginning the installation.** Take care when opening the packaging and removing items. If a return is needed you will want to return the product in its original packaging if possible.
- This instruction guide is provided as a GENERAL installation guide, some vehicles vary dimensionally and may require additional steps.
- Test fit the product on the vehicle prior to any third party modifications and or finishing. The manufacturer and/or distributors do not accept responsibility for third party charges, labor and or third part replacement modifications. Some modifications may void the factory warranty.
- Exercise due-diligence when installing this product. The manufacturer and distributors of this product do not accept any responsibility for vehicle damage or personal injury resulting from the installation of this product. Careless installation and operation can result in serious injury or equipment damage.
- This product is for general off-road use. All liability for installation and use rests with the owner/operator.
- **INSTALLER:** Once installation is complete, please return this guide along with other documentation included in this product back to the consumer for future reference. The manufacturer/distributors of this product do not guarantee this particular version will be available at a later date.



© 2016 Go Rhino Products. All rights reserved



INSTALLATION INSTRUCTIONS

INJURY HAZARD

Please complete a shop and tool inspection prior to beginning the installation.

- Always make sure you have a clean, dry and well lit work area.
- Always remove jewelry, loose fitting clothing and wear protective gloves and eye protection.
- Always use extreme caution when jacking or raising a vehicle for work. Set the emergency brake and use tire/wheel blocks and jack stands. Refer to the vehicle manufacturer hand book. Utilize the vehicle manufacturers designated lifting points.
- Always use appropriate and adequate care in lifting parts during disassembly and installation. Seek help in lifting heavy or large items into place. Utilize jacks and or lifting devices when available.
- Always insure products are secure during disassembly and installation.
- Always wear eye protection and take steps to protect any exposed skin during the installations. Drilling, cutting and grinding plastic and metal may create flying particles that can cause injury.
- Always use extreme caution when drilling, cutting and or grinding on a vehicle. Thoroughly inspect the area to be drilled, on both sides of material, prior to modification and relocate any objects that may become damaged.
- Always assemble and tighten all fasteners per the installation instructions.
- Always route electrical cables carefully. Avoid moving parts, parts that may become hot and rough or sharp edges.
- Always insulate and protect all exposed wiring and electrical connections.

MAINTENANCE AND CARE

- Always perform regular inspections and maintenance on mounts and related fasteners.
- Periodically check and tighten all fasteners.
- Stripped, fractured, or bent fasteners must be replaced.
- After washing the vehicle make sure to fully dry all surfaces.
- In areas with cold temperatures make sure to wash the product often to remove harmful materials used on road ways.
- Never use abrasive cleaners or polish compounds. Clean with a gentle soap and water. If you use wax use a non-abrasive automotive wax such as pure carnauba wax.

WARNING

Some products have been designed to work together with factory rear sensor systems, factory forward facing sensor systems and factory air bags.

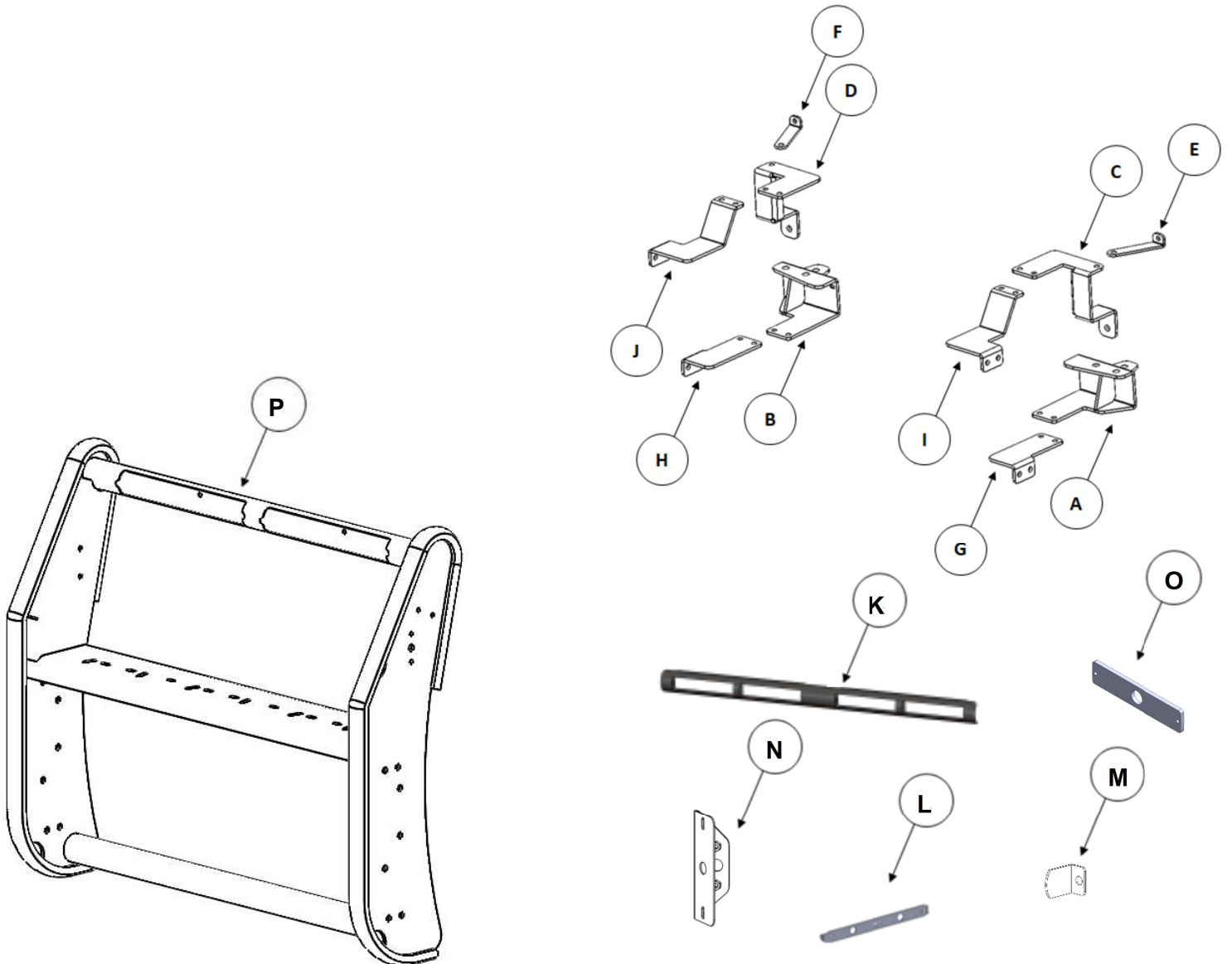
- Installation of some of these products may alter the factory sensor system performance.
- Factory sensors may read shackles or hooks protruding from the fairlead and or tow hooks.
- All sensor testing is completed by Go Rhino Products and or third party testing labs on modified vehicles.
- Sensor sensitivity, factory sensor housing, orientation, and operating conditions are all variables that will influence functionality of the sensors.
- Installation of some product may effect the factory air bag systems.
- Some products allow the use of third party products such as winches, shackles, hooks, etc. Follow the respective manufacturers operating instructions for use with our products.
- Make sure to fully understand the product, it's intended use and operation prior to use.
- Above all... be safe!

GO RHINO®

INSTALLATION INSTRUCTIONS

PARTS INCLUDED IN THIS LIST:

ITEM	QTY.	PART NUMBER	DESCRIPTION	ITEM	QTY.	PART NUMBER	DESCRIPTION
A	1	52010BA-D	Lower Bracket (driver)	I	1	52014DA-D	Upper Extension Bracket (driver)
B	1	52010BA-P	Lower Bracket (passenger)	J	1	52014DA-P	Upper Extension Bracket (passenger)
C	1	52014BA-D	Upper Bracket (driver)	K	1	2L72-M1B0AA	Lighted Bar Assembly
D	1	52014BA-P	Upper Bracket (passenger)	L	2	2L72-M1B6CA	Auxiliary Bracket Light
E	1	52014EA-D	Auxiliary Bracket (driver)	M	2	2L72-M1B4BA	Support Bracket
F	1	52014EA-P	Auxiliary Bracket (passenger)	N	2	2L72-M1B6DA	Lateral Lights Support
G	1	52014CA-D	Lower Extension Bracket (driver)	O	1	2L72-M1B4AA	Spacer
H	1	52014CA-P	Lower Extension Bracket (passenger)	P	1	5201-F	5000 Series Road Defender Push Bumper LR

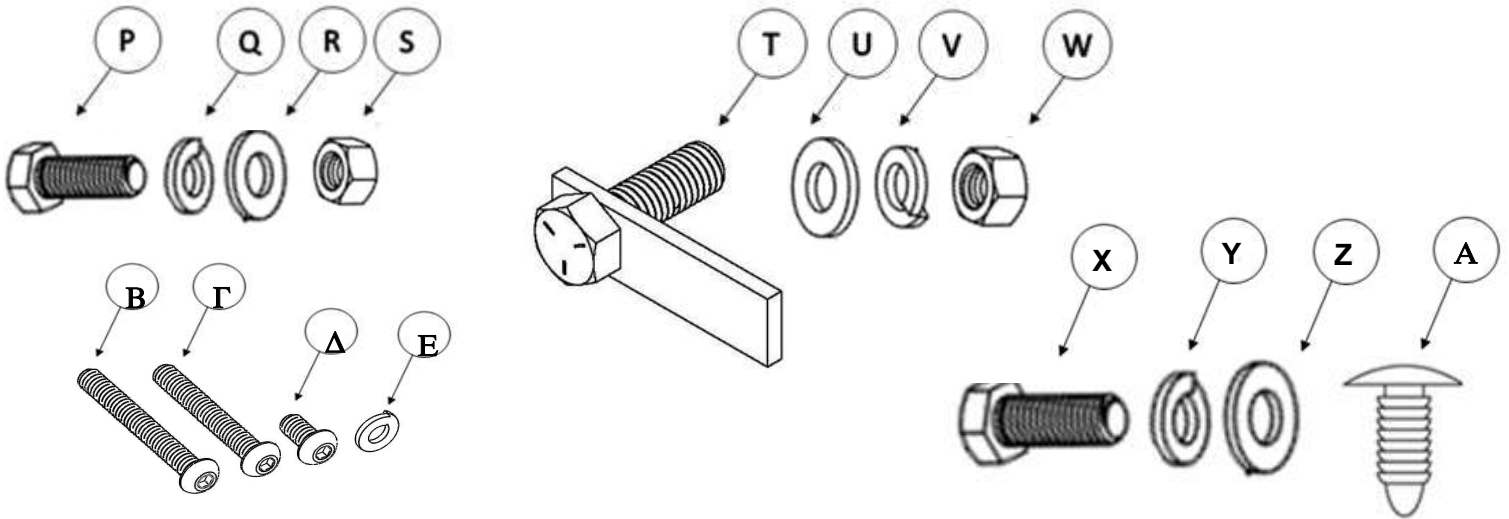




INSTALLATION INSTRUCTIONS

PARTS INCLUDED IN THIS LIST:

ITEM	QTY.	PART NUMBER	DESCRIPTION	TORQUE	ITEM	QTY.	PART NUMBER	DESCRIPTION	TORQUE
P	18		3/8" x 1" Hex Bolt (black)	26 ft-lbs	X	2		M10-1.5 x 35mm Hex Bolt	31 ft-lbs
Q	18		3/8" Lock Washer (black)		Y	2		M10 Lock Washer	
R	36		3/8" Flat Washer (black)		Z	2		M10 Flat Washer	
S	18		3/8" Hex Nut (black)		A	6		Push-In Ribbed Shank Rivet	
T	4		1/2" T-Bolt	64 ft-lbs	B	4		1/4 x 2" Allen Head Bolt	10 ft-lbs
U	4		1/2" Flat Washer		Γ	2		1/4 x 1/2" Allen Head Bolt	10 ft-lbs
V	4		1/2" Lock Washer		Δ	2		1/4 x 1 3/4" Allen Head Bolt	10 ft-lbs
W	4		1/2" Hex Nut		E	6		1/4" Lock Washer	



Go Rhino recommends you, the installer, read this installation instruction manual from front to back before installing the product. You may also [click here](#) to view an installation video or visit <http://www.gorhino.com/Installation-Videos>.

TOOLS NEEDED FOR INSTALLATION:

- Inch / Metric Socket & Wrench Set
- Ratchet, Ratchet Extensions & Swivel Joint Adapter
- Trim Removal Tool or Slotted Blade Screw Driver
- Drill Motor & 1/4" Drill Bit
- Cutoff Tool & Diagonal-Cutting Pliers

ESTIMATED TIME FOR INSTALLATION:	1.5 Hour
-----------------------------------------	-----------------

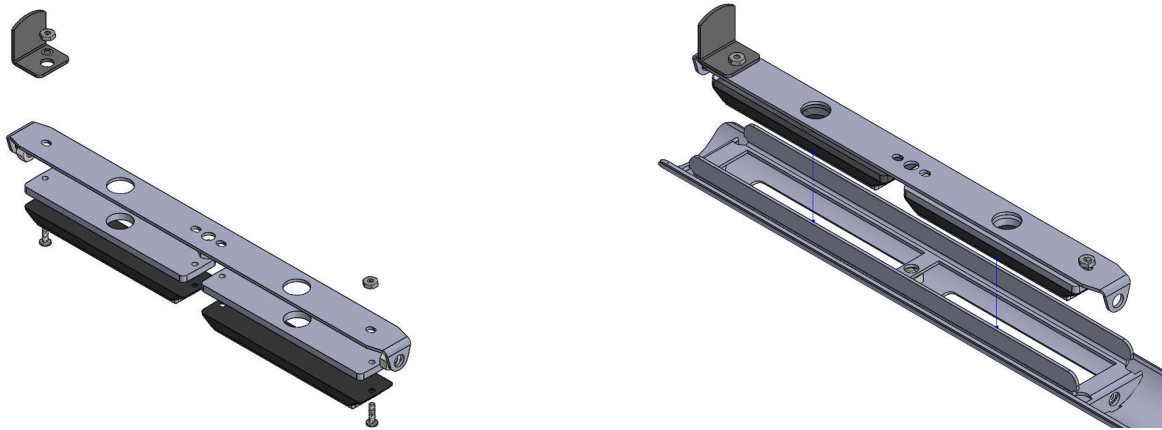
If you need installation service for your new product, call the authorized distributor from whom you purchased the product or an authorized installation service company which can be found by calling toll free 1-888-427-4466

GORRHINO®

INSTALLATION INSTRUCTIONS

Light Bar Assembly

1. Assemble the lights using (1) support bracket, (1) auxiliary bracket, (2) spacers, (2) #6-32 allen head bolt, (2) #6-32 lock nut and (1) #6-32 flat washer



2. Place the light on top of the mask bracket and align it. Secure the assembly using (3) 1/4" x 3/4" allen head bolt **See image 2 & 3.**



3. Repeat steps 1 , 2 & 3 for the other light.

Note: Make sure that all the lights have the same orientation.

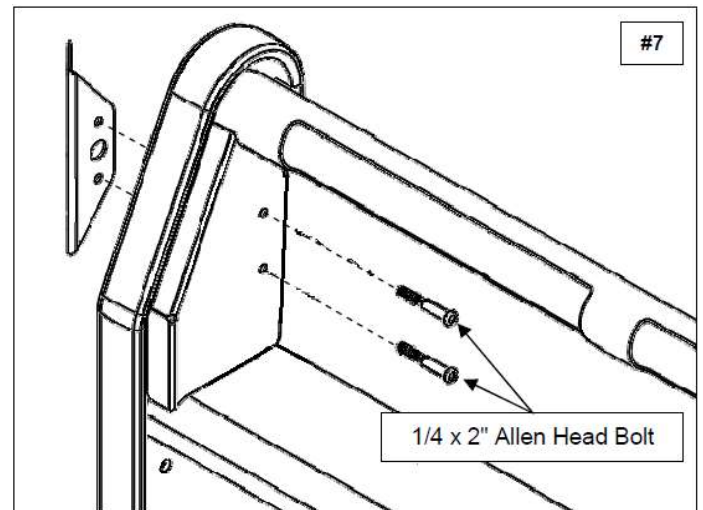
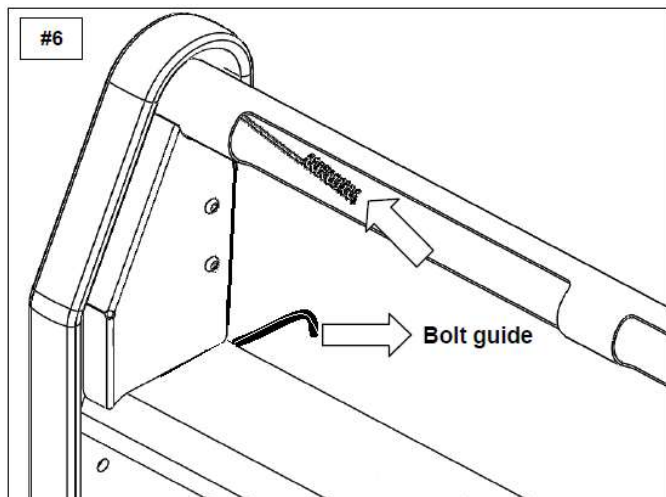
4. Refer to the installation and maintenance manual included with the lights to wire and configure the flash pattern. Note: Leave several feet of connector cable for connection to the light controller

GO RHINO®

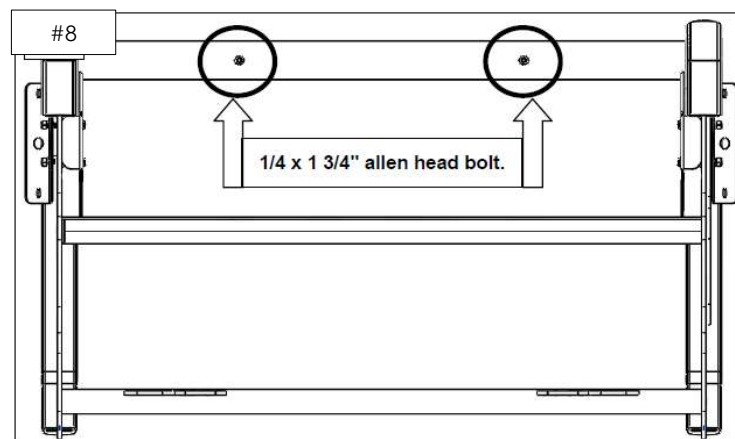
INSTALLATION INSTRUCTIONS

5. Feed the connector cable through the hole in the front bar channel and side panel until the hole in the push bumper center plate. Use the bolt guide attached to the side plate. **See image 6.**

6. Place the lateral lights support in upright and attach using: (2) 1/4 x 2" Allen Head Bolt. Repeat for the other side. **See image 7. Note:** If you do not want to install the lateral lights support, attach with: (2) 1/4 x 2" Allen Head Bolt, (2) 1/4" flat and lock washers, (2) 1/4" hex nuts by each side.



7. Secure the light bar assembly to the light bar tube using two 1/4"x1 3/4" allen head bolt. **See image 8.**

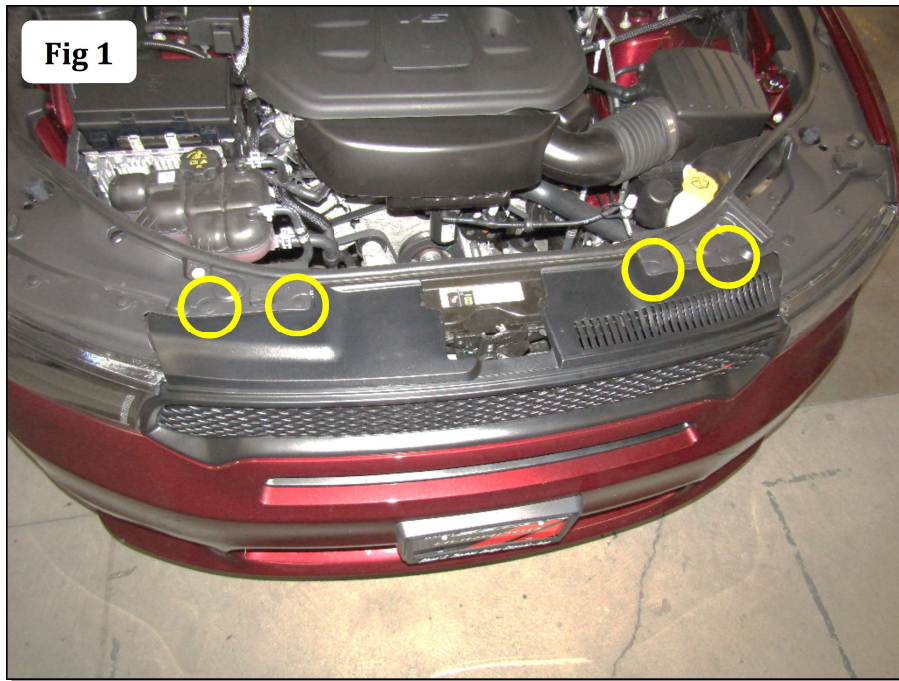


GO RHINO®

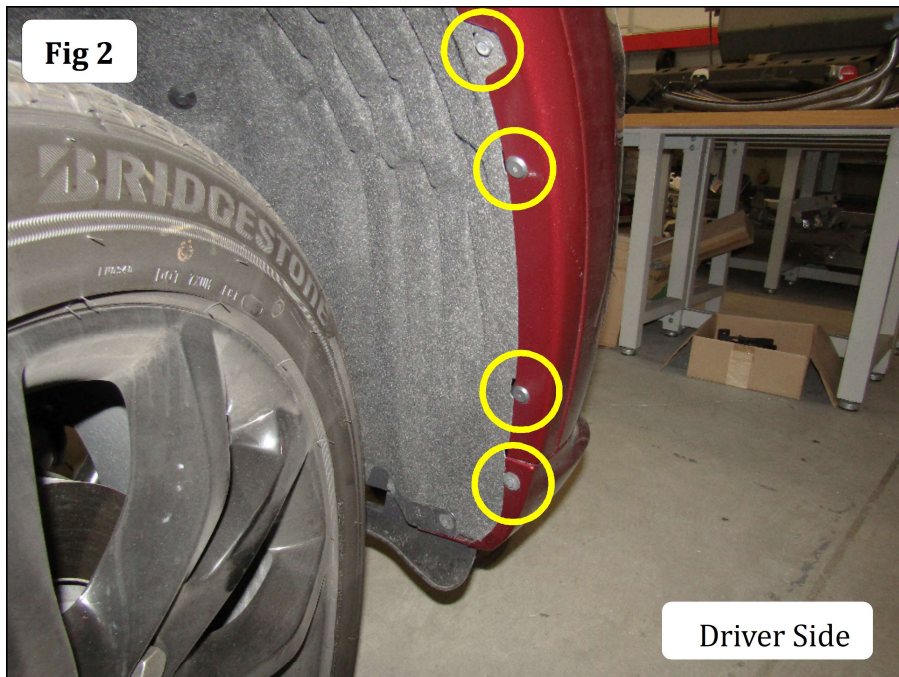
INSTALLATION INSTRUCTIONS

OEM Bumper Cover Removal

Step-1 Open the hood and locate the (4) plastic push pin rivets (2) per side securing the upper grille to the core support, (Fig 1). Using a flat blade screw driver or trim removal tool, pry the head of the push pin up, and remove the push pin and rivet body.



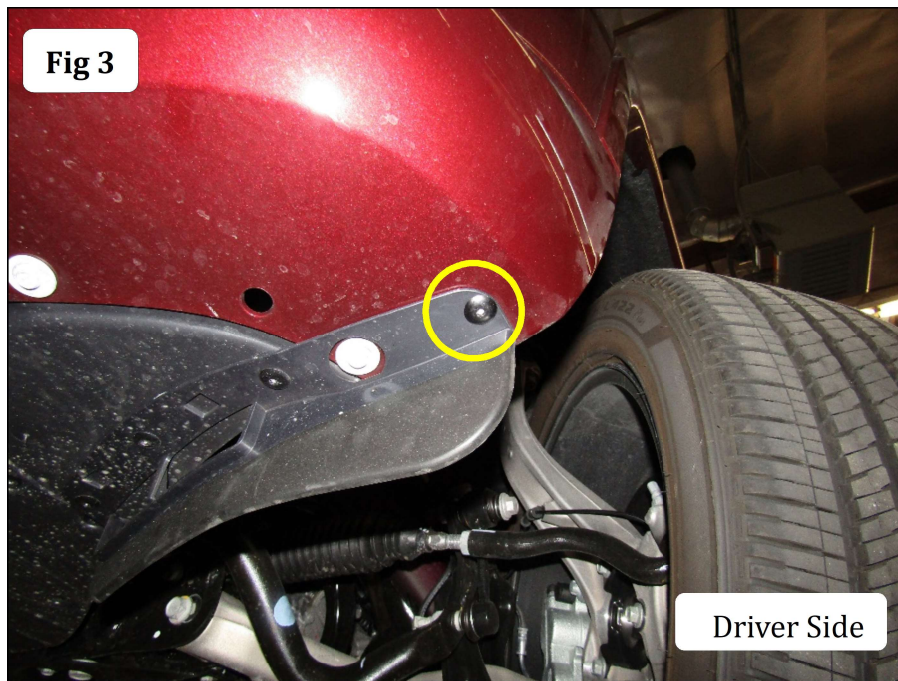
Step-2 On each side of the vehicle remove (1) screw using an 8mm socket and (1) screw using a 10mm socket. Use diagonal-cutting pliers to remove (2) plastic rivets attaching the fender liner to the bumper cover, (Fig 2). **Note:** The OEM plastic rivets attaching the fender liner to the bumper cover will be replaced with the supplied Push-In Ribbed Shank Rivets.



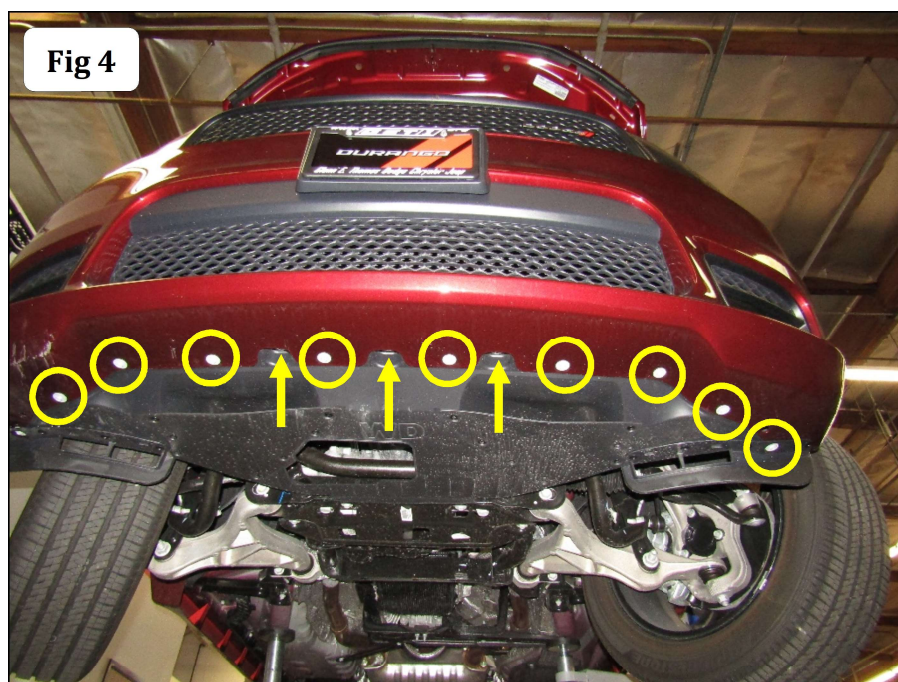
GO RHINO®

INSTALLATION INSTRUCTIONS

Step-3 On each side of the vehicle remove (1) aluminum rivet attaching the applique panel to the bumper cover by drilling on the hollow part of the rivet head until it comes off the shank, (Fig 3). **Note:** The aluminum rivets attaching the applique panel to the bumper cover will be replaced with the supplied Push-In Ribbed Shank Rivets.



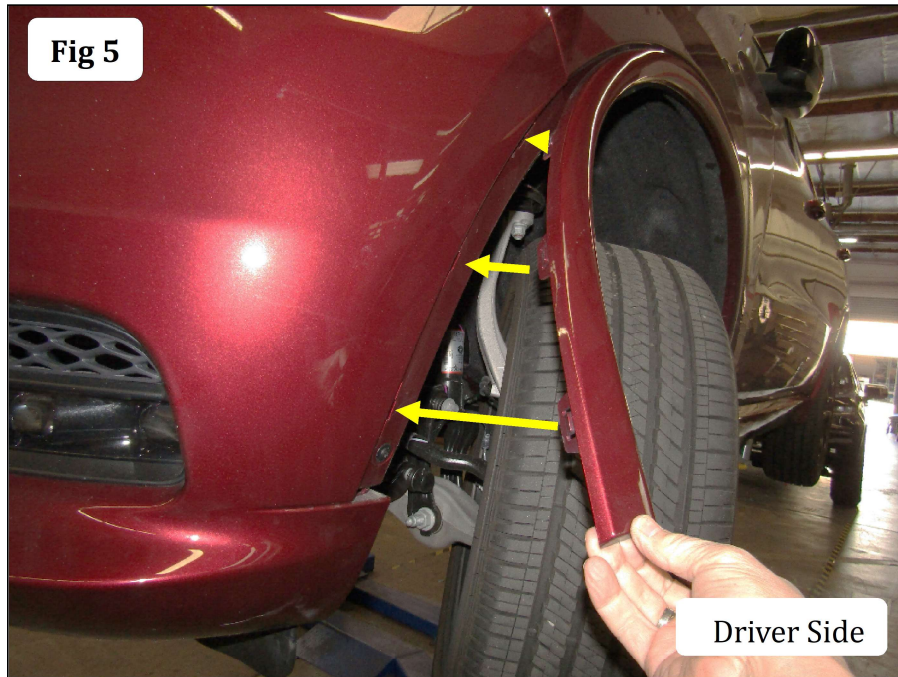
Step-4 Using a 10mm socket remove the (13) screws attaching the bumper cover to engine splash shield, (Fig 4).



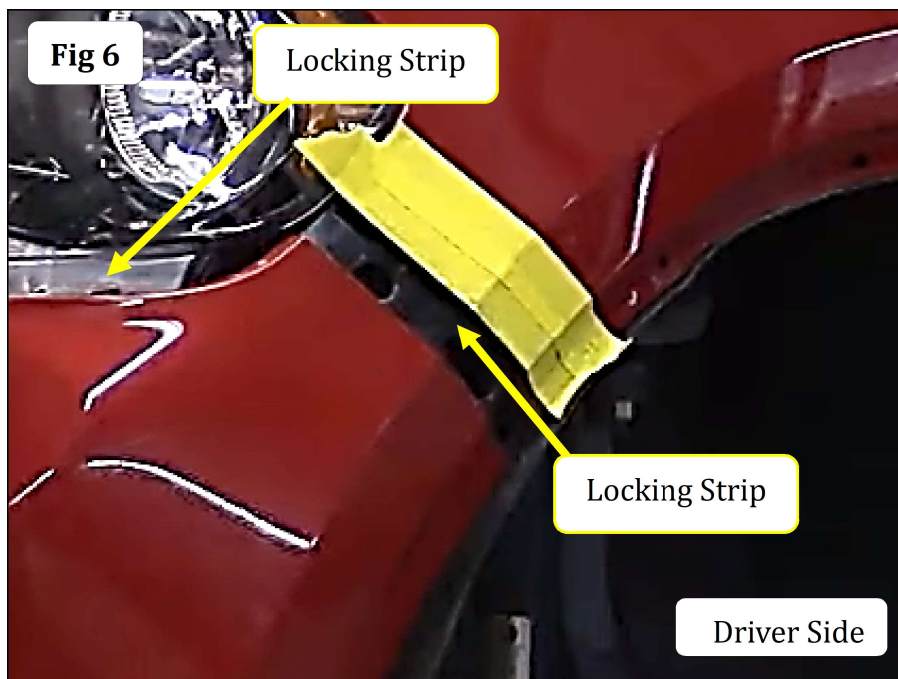
GO RHINO®

INSTALLATION INSTRUCTIONS

Step-5 on each side of the vehicle, pull out on the lower edge of the fender flair to detach it from the bumper cover, releasing (3) clips from behind, (Fig 5).



Step-6 Pull out on the corners of the bumper cover to release it from the locking strip located on each side and under each headlight, (Fig 6). Note: On the passenger side disconnect the fog light wiring harness from the vehicle harness if the vehicle is so equipped. Remove the bumper cover from the vehicle.

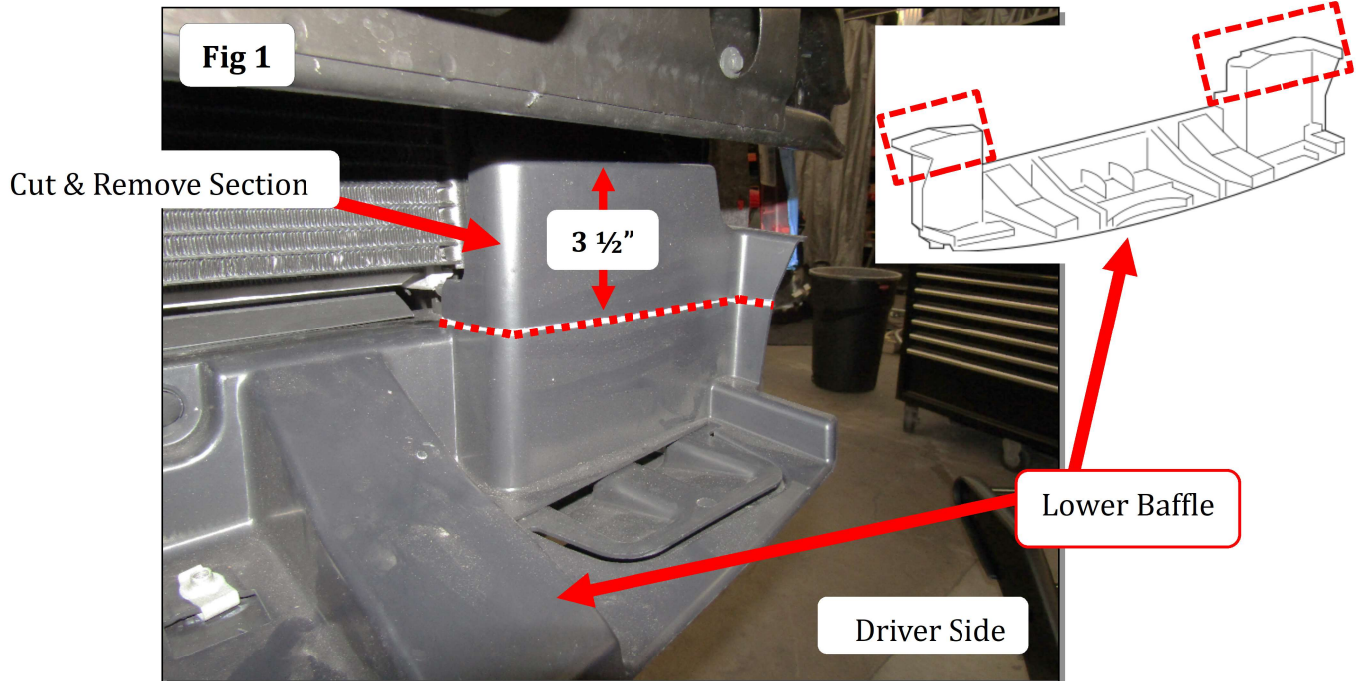


GO RHINO®

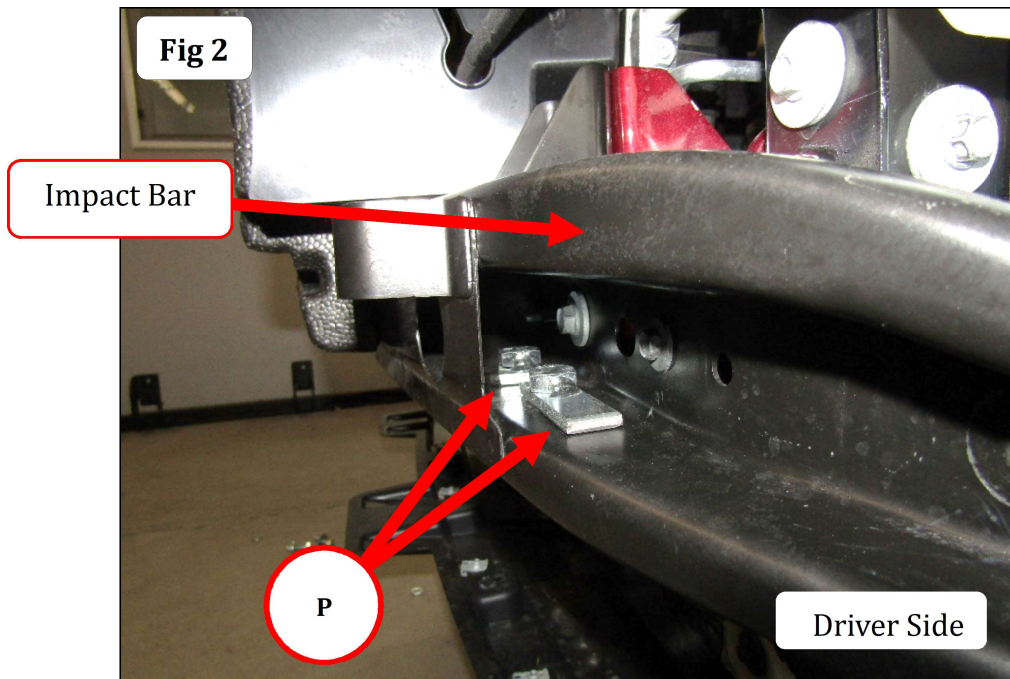
INSTALLATION INSTRUCTIONS

Push Bumper Installation

Step-1 Measure cut and remove a section from each side of the lower baffle, (Fig 1).



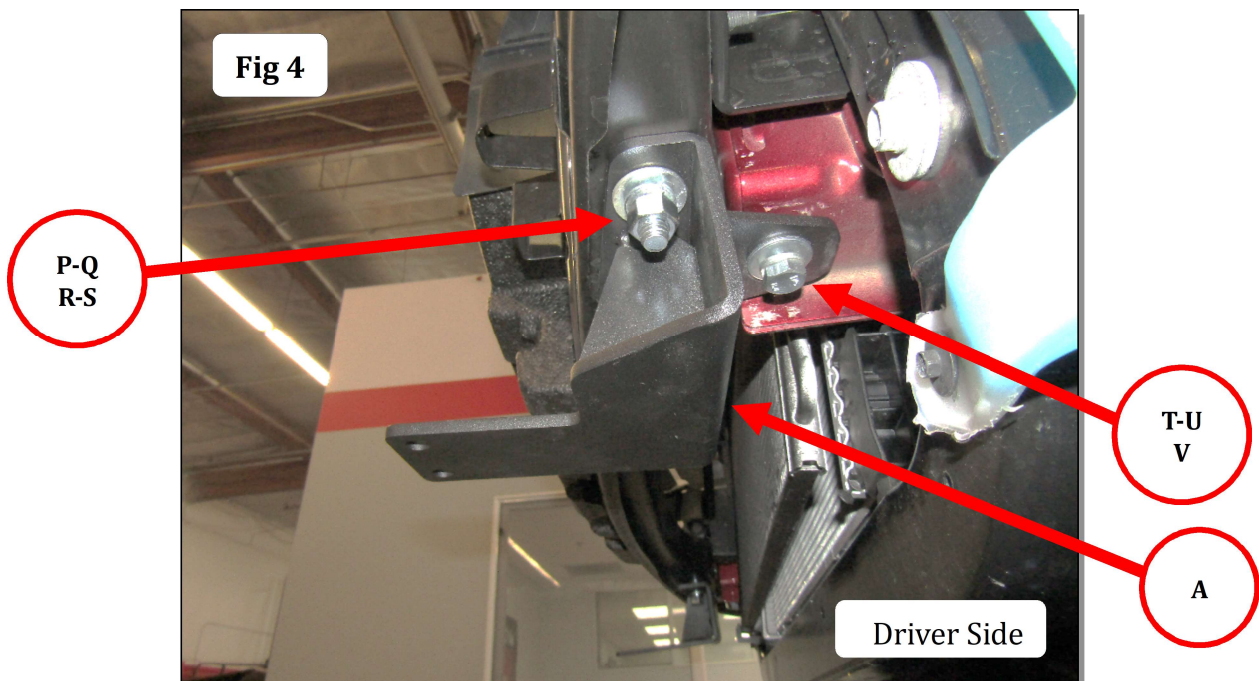
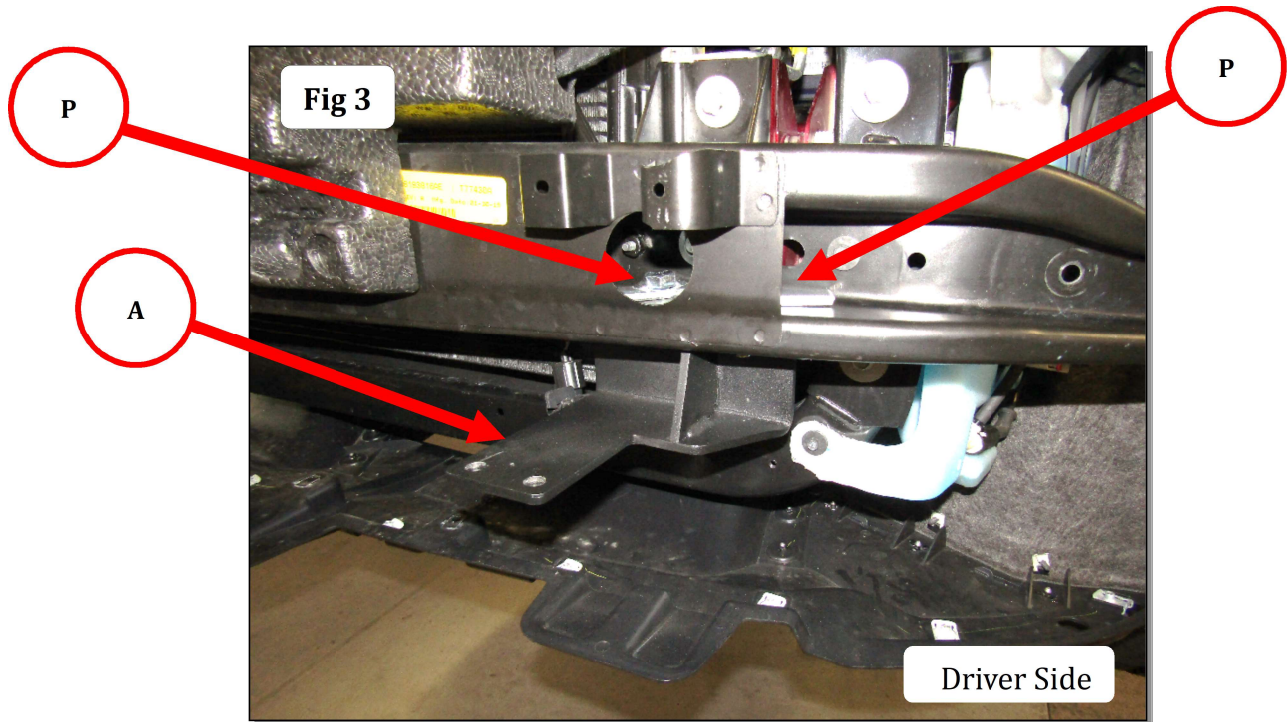
Step-2 On the driver side of the vehicle, locate the (2) holes in the impact bar and install 1/2" t-bolts, (Fig 2).



GO RHINO®

INSTALLATION INSTRUCTIONS

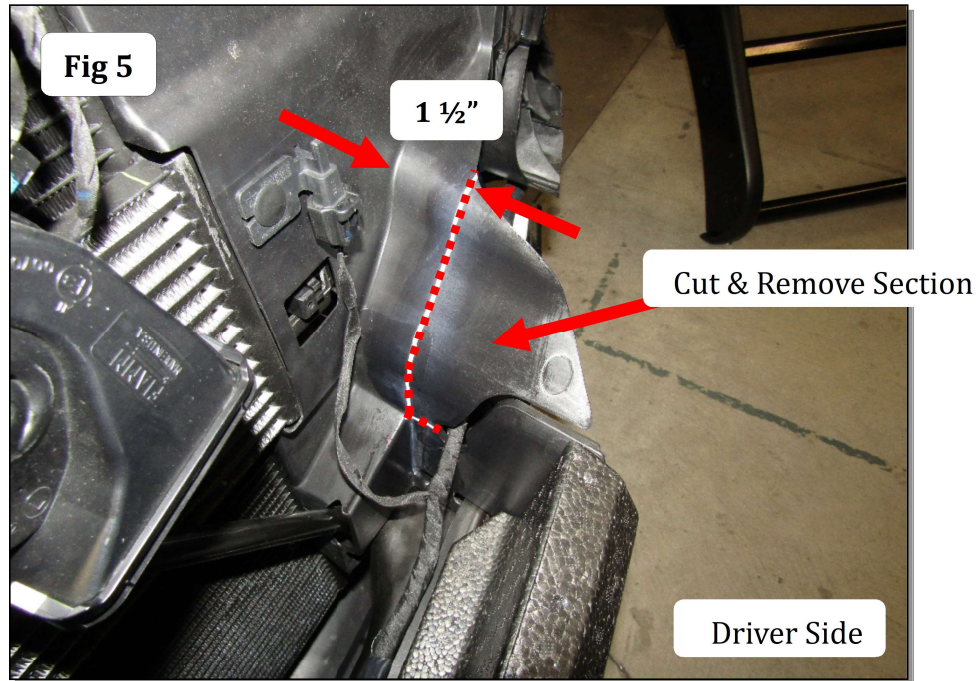
Step-3 Attach the driver side lower bracket to the impact bar using the ½” bolt plates, (2) ½” flat washers, (2) 1/2” lock washers and (2) ½” hex nuts, and to the threaded hole in the body structure using (1) M10 x 35mm hex bolt, (1) M10 lock washer and (1) M10 flat washer, (Fig 3 & 4). Repeat to install the passenger side lower bracket.



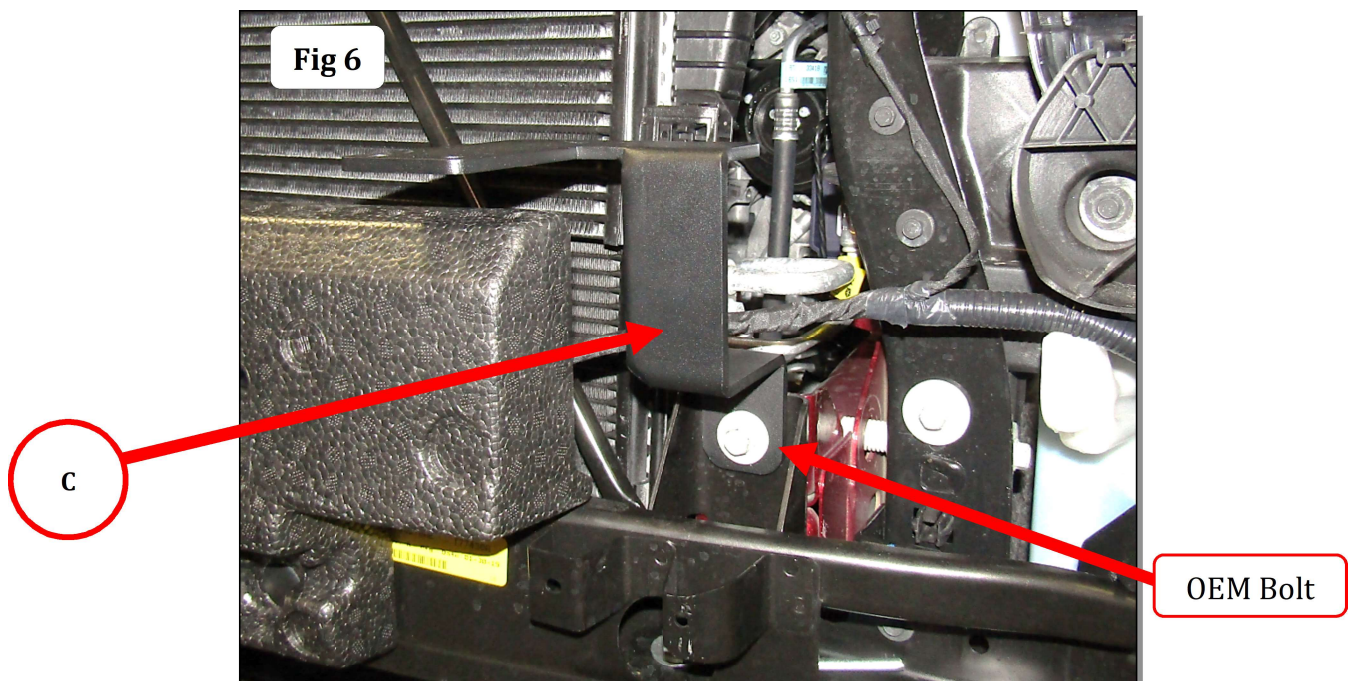
GO RHINO®

INSTALLATION INSTRUCTIONS

Step-4 Measure cut and remove a section from the left and right upper air baffle, (Fig 5).

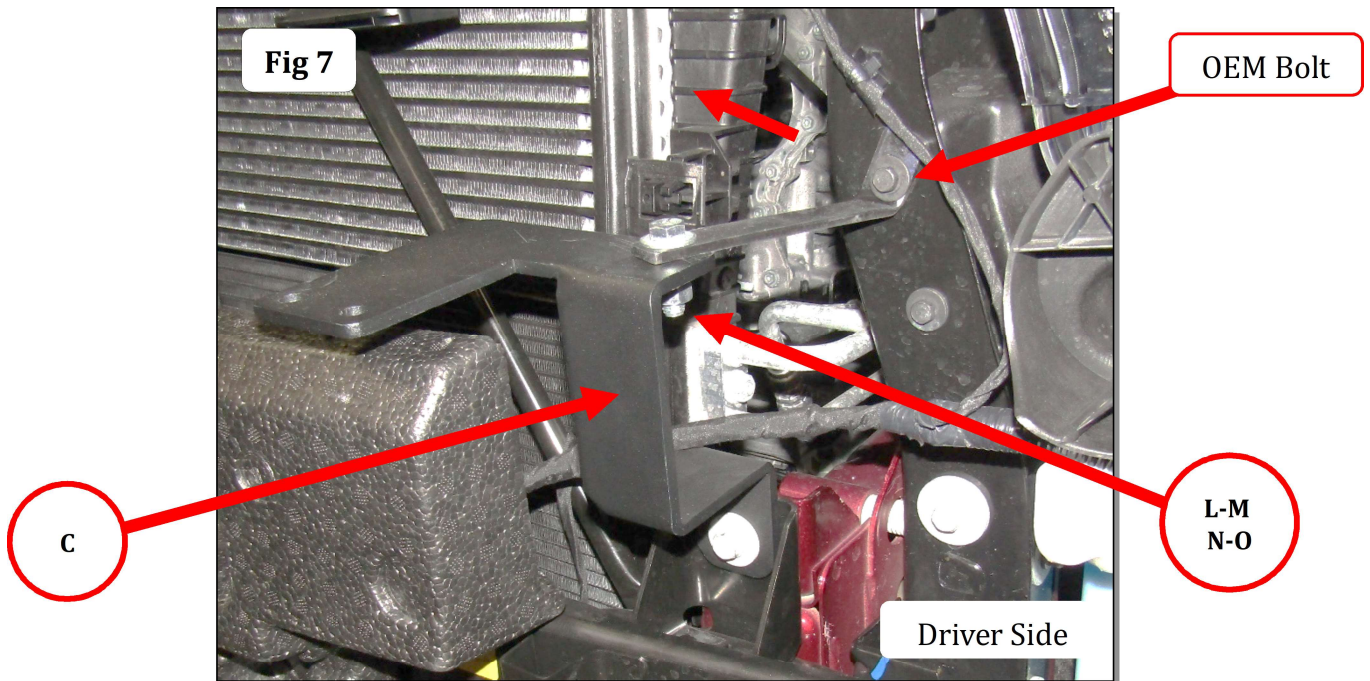


Step-5 Install driver side upper bracket by removing (1) OEM bolt securing the impact bar using a 13mm socket and re-install the bolt to secure the driver side upper bracket, Figure 6). Repeat to install the passenger side upper bracket.

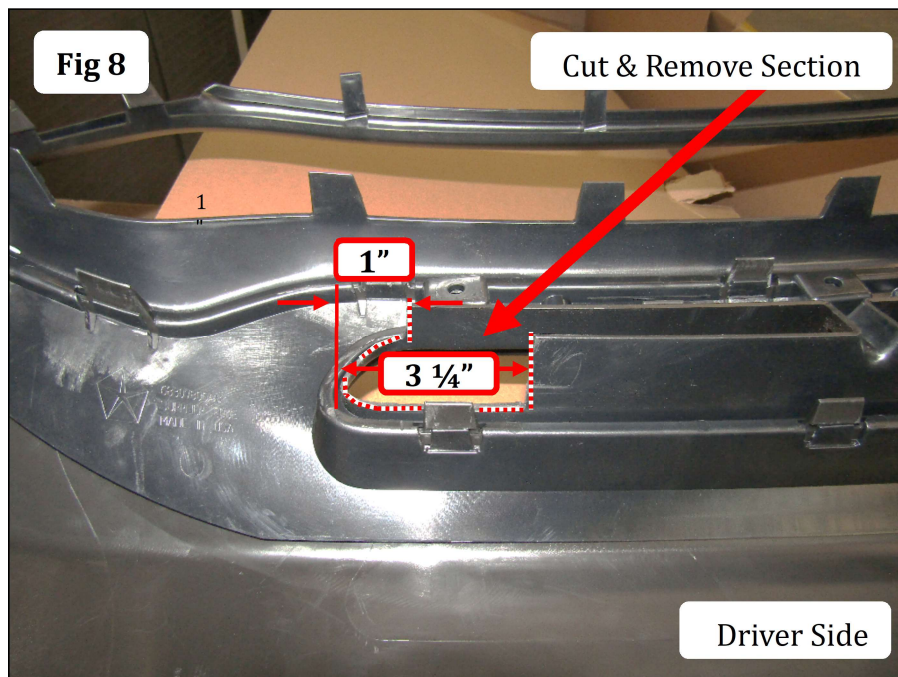


INSTALLATION INSTRUCTIONS

Step-6 Install driver side auxiliary bracket by removing (1) OEM bolt on the core support using a M10 socket, and re-install the bolt to secure the auxiliary bracket. Attach the opposite end of the auxiliary bracket to the upper bracket using (1) 3/8" x 1" hex bolt (2) 3/8" flat washers, (1) 3/8" lock washer and (1) 3/8" hex nut, (Fig 7). Tighten all nuts and bolts securing the lower brackets, upper brackets and auxiliary brackets. Repeat to install the passenger side auxiliary bracket.



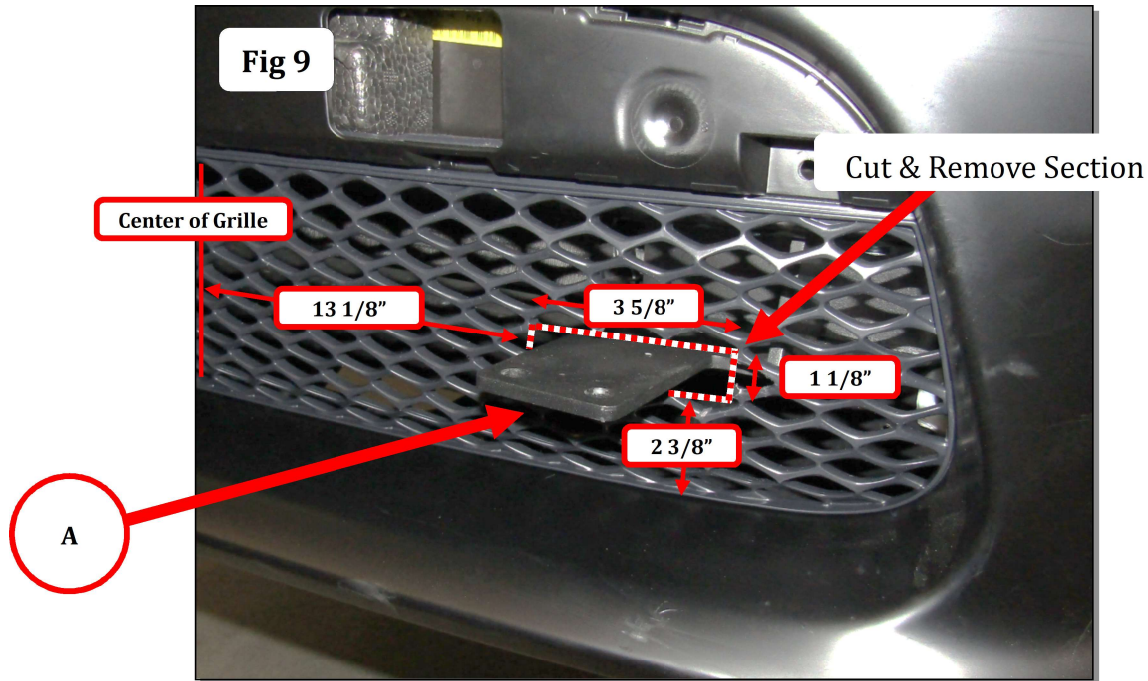
Step-7 A section must be cut out from each side of the upper grille surround to allow clearance for the upper brackets. Measure, cut and remove the outlined section from the driver and passenger side of the upper grille surround as shown, (Fig 8). Repeat for the passenger side.



GO RHINO®

INSTALLATION INSTRUCTIONS

Step-8 An area of webbing in each side of the lower grille panel must be cut out for the lower brackets to extend through. Re-position the bumper cover on the vehicle, then cut and remove the webbing from each side of the lower grille as shown, (Fig 9).



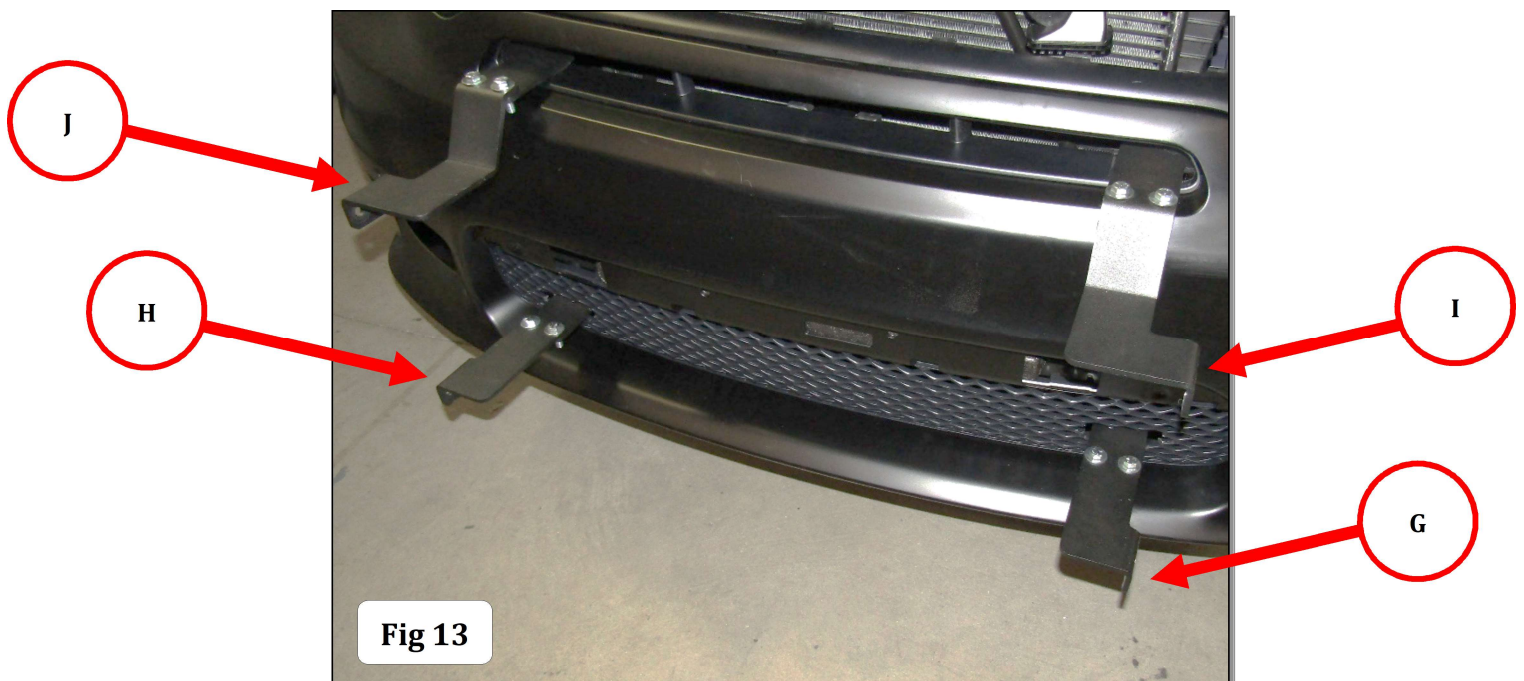
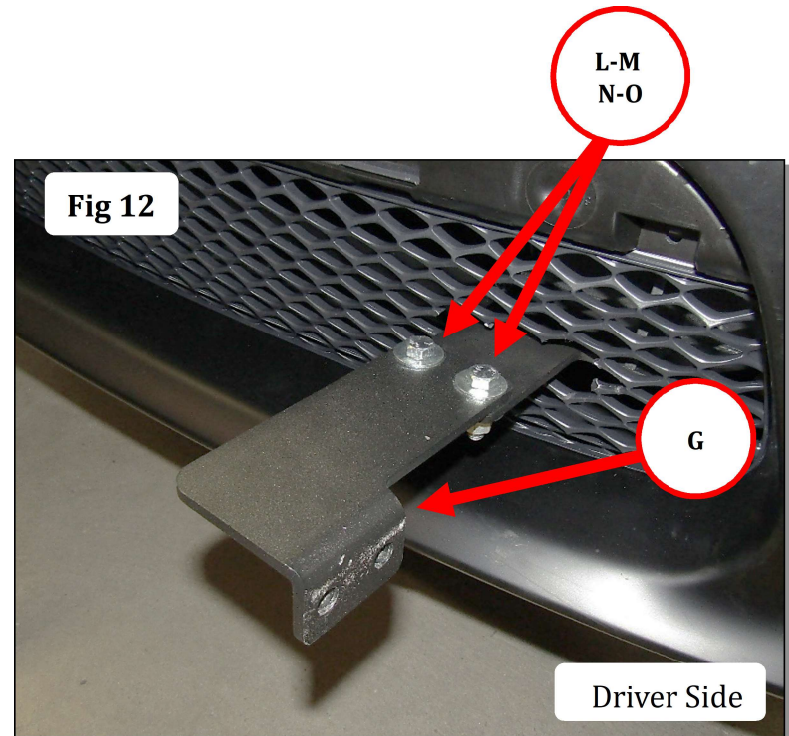
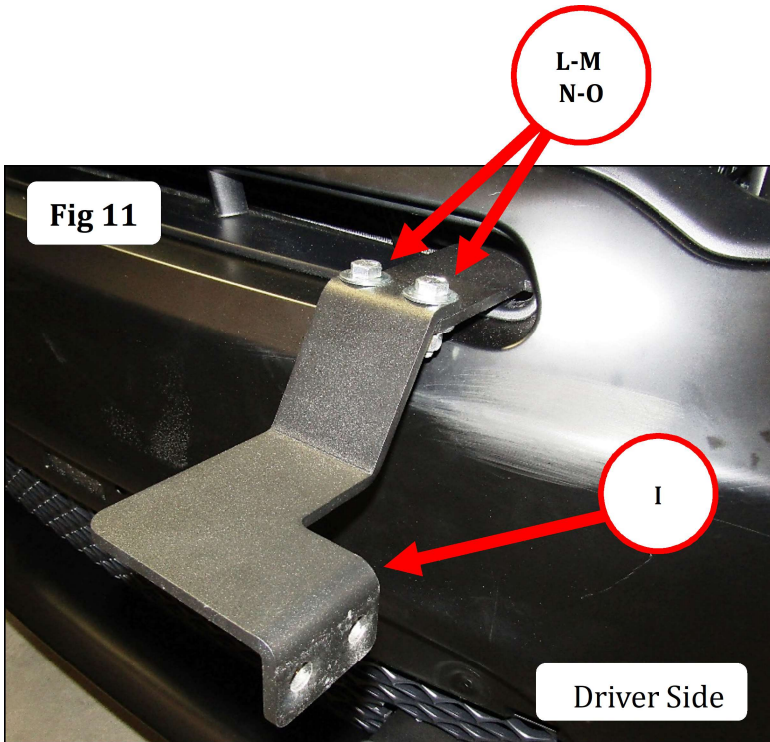
Step-9 Reinstall the bumper cover. (Fig 10).



GO RHINO®

INSTALLATION INSTRUCTIONS

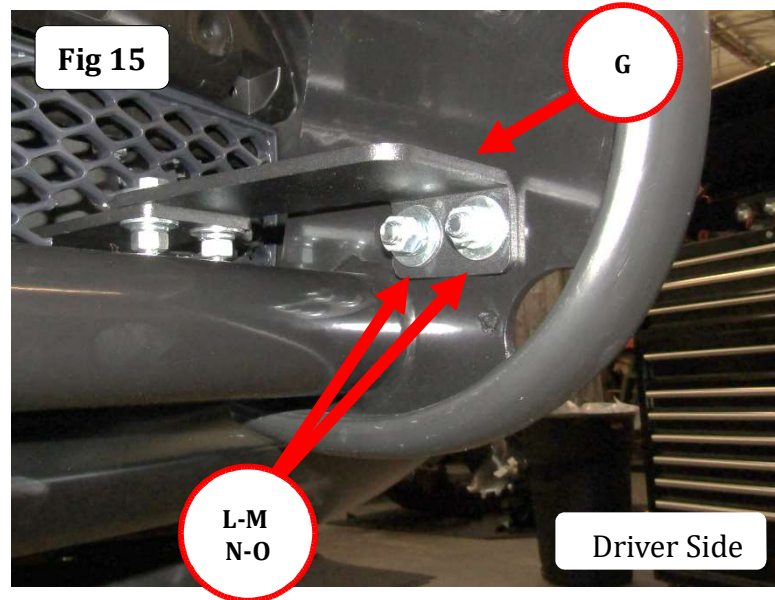
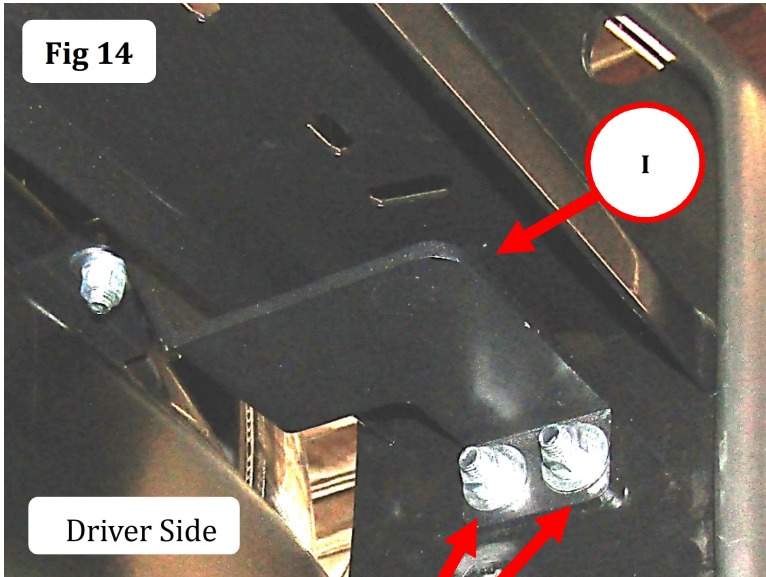
Step-10 Attach the driver side upper and lower extension brackets to the upper and lower brackets using (2) 3/8" X 1" hex bolts, (4) 3/8" flat washers, (2) 3/8" lock washer and (2) 3/8" hex nuts for each bracket. Leave the nuts and bolts loose for final adjustment, (Fig 11 & 12). Repeat to install the passenger side extension brackets, (Fig 13).



GO RHINO®

INSTALLATION INSTRUCTIONS

Step-11 Attach the push bumper to each of the extension brackets using (2) 3/8" x 1" hex bolts, (2) 3/8" flat washers, (2) 3/8" lock washers and (2) 3/8" hex nuts, (Fig 14 & 15). Leave the nuts and bolts loose for final adjustment.



Step-12 Align the push bumper with the vehicle and tighten all nuts and bolts.





INSTALLATION INSTRUCTIONS

LIMITED WARRANTY

Go Rhino warrants to Buyer that for a period of five (5) years from the date of shipment of the product(s) ("Warranty Period") for black finishes and chrome finishes, that such products will materially conform to the specifications set forth in Go Rhino's specifications in effect as of the date of shipment(s) and will be free from material defects in material workmanship.

Go Rhino warrants to Buyer that for the life of the product(s) from the date of shipment of the product(s) ("Warranty Period") for polished stainless steel finished products purchased after April 2004, that such products will materially conform to the specifications set forth in Go Rhino's specifications in effect as of the date of shipments and will be free from material defects in material workmanship.

Warranty claims must be accompanied with the original invoice and photos of the product. It is the customer's responsibility to clean regularly and protect finish with regular applications of a nonabrasive polish that is compatible with the product's finish.

This warranty covers the cost of the product only and does not include the cost of removal, installation, third party modifications or shipping of the product. In no event shall Go Rhino be liable to buyer or any third party for any damage or harm caused by the product or use thereof, regardless of whether such damages were foreseeable and whether or not Go Rhino has been advised of the possibility of such damages, not withstanding the failure of any agreed or other remedy of its essential purpose. This warranty is void if the product shows signs of alteration, misuse, mishandling, improper care, neglect, improper application and/or damage due to improper installation.

With respect to any such product(s) during the limited warranty period, Go Rhino shall, in its sole discretion, either: (i) provide a one-time repair or replacement of such products (or the defective part) or (ii) credit or refund the price of such products at the pro rata contract rate provided that, if Go Rhino so requests, Buyer shall, at Go Rhino's expense, return such product(s) to Go Rhino. The remedies shall be the Buyer's sole and exclusive remedy and Go Rhino's entire liability for any breach of the limited warrant(ies).

Go Rhino disclaims all other warranties except to the extent that any such warranty cannot be validly disclaimed under applicable law.

Finish Limited Warranty:

Limited lifetime on stainless steel products (after April 2004)

5 year warranty on black powder coat products

5 year warranty on chrome products

This warranty does not cover exposed welds

Finish warranty covers peeling, flaking, or cracking. Washing all finishes regularly with car wash soap and rinsing well with water is the best method for maintaining the finish on your products. You must also protect the finish with nonabrasive automotive wax on a regular basis. The use of any compound which contains abrasives becomes a self-defeating exercise as the compound scratches the finish and opens it to corrosion. The use of harsh chemicals used to remove bugs and tar may also cause the finish to fail and should be avoided.

If you are unsatisfied with your purchase please contact the establishment you purchased the product from.

If you need to place a warranty claim or need assistance, the Go Rhino customer service team will answer any questions you may have. Please contact the Go Rhino customer service team at 1-888-427-4466 during normal business hours Monday thru Friday 7 am to 5 pm PST. You may also email warranty@gorhino.com. In order to better serve you please provide a copy of the original invoice / receipt, a photo of the issue you are experiencing and a photo of the vehicle the product is installed on.

All warranty returns must have an approved RGA number. The RGA number must be clearly marked on the exterior of the return package. All approved warranty returns must be shipped to Go Rhino Products, 810 Nafta Blvd Laredo, TX 78045

PRODUCT REGISTRATION

Please remember to register your new purchase. You may register your product at www.gorhino.com. Registering your product may help speed any future warranty or customer service inquiries.

Thank you again for purchasing from Go Rhino Products

Please take a few minutes to view additional products for your vehicle and more at GORRHINO.com
These installation instructions are available on the Go Rhino web site along with installation videos for many of our products.

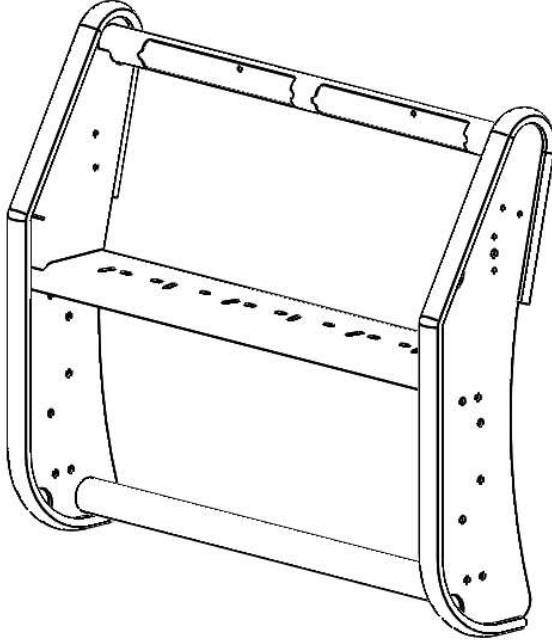
www.gorhino.com

www.bigcountryauto.com

www.gorhinopd.com



INSTALLATION INSTRUCTIONS



PART NO.

- 5201-4L72-M1B

PRODUCT DESCRIPTION:

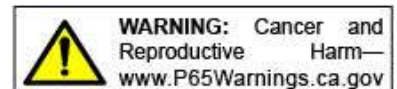
- 5000 SERIES ROAD DEFENDER PUSH BUMPER LR

APPLICATION:

- DODGE DURANGO-PURSUIT, SRT, RT

PRODUCT SAFETY & LEGAL DISCLAIMER

- **IMPORTANT READ ALL INSTRUCTIONS CAREFULLY BEFORE INSTALLING, FAILURE TO DO SO MAY CAUSE PERSONAL INJURY OR DAMAGE TO PRODUCT AND/OR PROPERTY.**
- **Review the product package and contents prior to beginning the installation.** Take care when opening the packaging and removing items. If a return is needed you will want to return the product in its original packaging if possible.
- This instruction guide is provided as a GENERAL installation guide, some vehicles vary dimensionally and may require additional steps.
- Test fit the product on the vehicle prior to any third party modifications and or finishing. The manufacturer and/or distributors do not accept responsibility for third party charges, labor and or third part replacement modifications. Some modifications may void the factory warranty.
- Exercise due-diligence when installing this product. The manufacturer and distributors of this product do not accept any responsibility for vehicle damage or personal injury resulting from the installation of this product. Careless installation and operation can result in serious injury or equipment damage.
- This product is for general off-road use. All liability for installation and use rests with the owner/operator.
- **INSTALLER:** Once installation is complete, please return this guide along with other documentation included in this product back to the consumer for future reference. The manufacturer/distributors of this product do not guarantee this particular version will be available at a later date.



© 2016 Go Rhino Products. All rights reserved



INSTALLATION INSTRUCTIONS

INJURY HAZARD

Please complete a shop and tool inspection prior to beginning the installation.

- Always make sure you have a clean, dry and well lit work area.
- Always remove jewelry, loose fitting clothing and wear protective gloves and eye protection.
- Always use extreme caution when jacking or raising a vehicle for work. Set the emergency brake and use tire/wheel blocks and jack stands. Refer to the vehicle manufacturer hand book. Utilize the vehicle manufacturers designated lifting points.
- Always use appropriate and adequate care in lifting parts during disassembly and installation. Seek help in lifting heavy or large items into place. Utilize jacks and or lifting devices when available.
- Always insure products are secure during disassembly and installation.
- Always wear eye protection and take steps to protect any exposed skin during the installations. Drilling, cutting and grinding plastic and metal may create flying particles that can cause injury.
- Always use extreme caution when drilling, cutting and or grinding on a vehicle. Thoroughly inspect the area to be drilled, on both sides of material, prior to modification and relocate any objects that may become damaged.
- Always assemble and tighten all fasteners per the installation instructions.
- Always route electrical cables carefully. Avoid moving parts, parts that may become hot and rough or sharp edges.
- Always insulate and protect all exposed wiring and electrical connections.

MAINTENANCE AND CARE

- Always perform regular inspections and maintenance on mounts and related fasteners.
- Periodically check and tighten all fasteners.
- Stripped, fractured, or bent fasteners must be replaced.
- After washing the vehicle make sure to fully dry all surfaces.
- In areas with cold temperatures make sure to wash the product often to remove harmful materials used on road ways.
- Never use abrasive cleaners or polish compounds. Clean with a gentle soap and water. If you use wax use a non-abrasive automotive wax such as pure carnauba wax.

WARNING

Some products have been designed to work together with factory rear sensor systems, factory forward facing sensor systems and factory air bags.

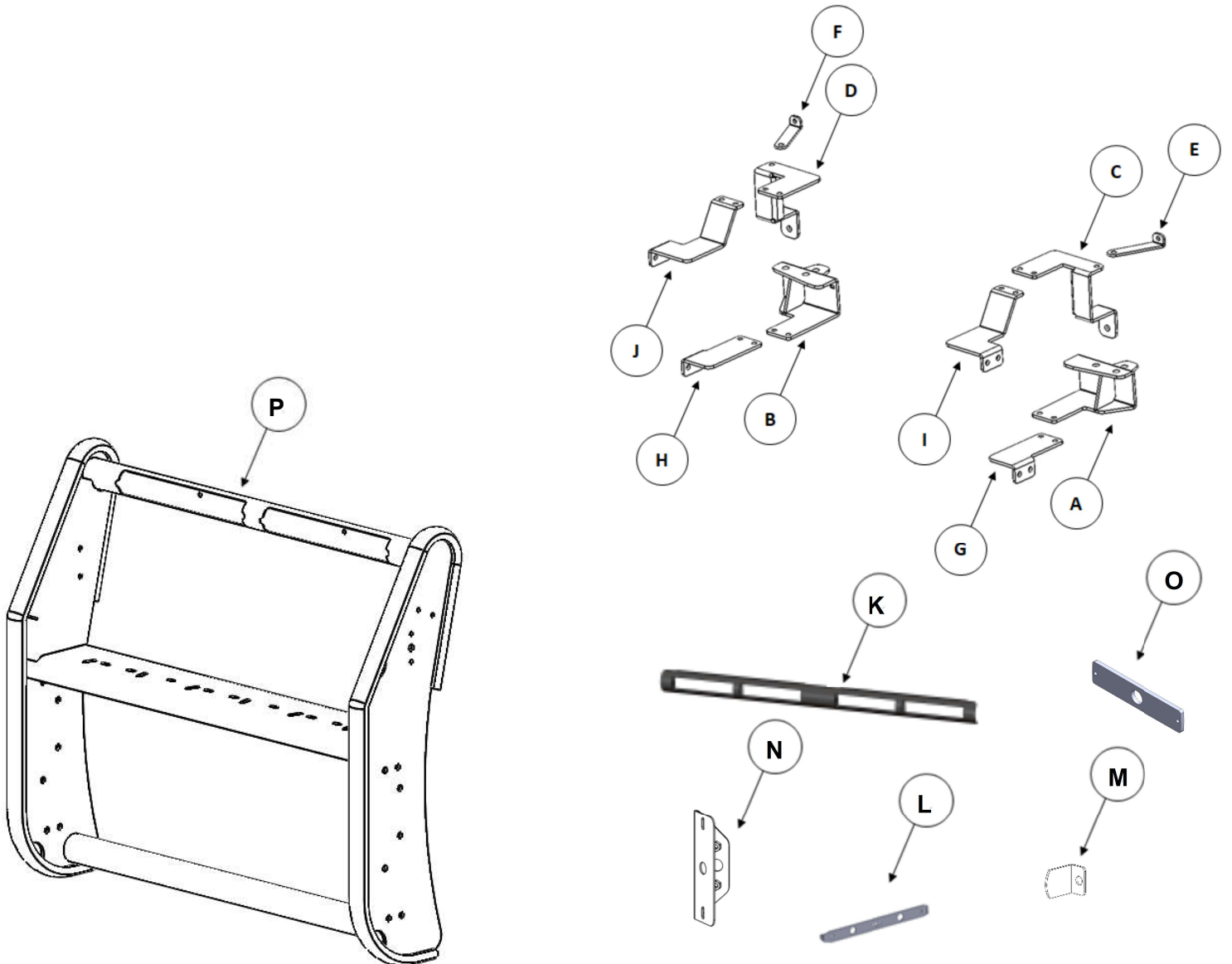
- Installation of some of these products may alter the factory sensor system performance.
- Factory sensors may read shackles or hooks protruding from the fairlead and or tow hooks.
- All sensor testing is completed by Go Rhino Products and or third party testing labs on modified vehicles.
- Sensor sensitivity, factory sensor housing, orientation, and operating conditions are all variables that will influence functionality of the sensors.
- Installation of some product may effect the factory air bag systems.
- Some products allow the use of third party products such as winches, shackles, hooks, etc. Follow the respective manufacturers operating instructions for use with our products.
- Make sure to fully understand the product, it's intended use and operation prior to use.
- Above all... be safe!

GO RHINO®

INSTALLATION INSTRUCTIONS

PARTS INCLUDED IN THIS LIST:

ITEM	QTY.	PART NUMBER	DESCRIPTION	ITEM	QTY.	PART NUMBER	DESCRIPTION
A	1	52010BA-D	Lower Bracket (driver)	I	1	52014DA-D	Upper Extension Bracket (driver)
B	1	52010BA-P	Lower Bracket (passenger)	J	1	52014DA-P	Upper Extension Bracket (passenger)
C	1	52014BA-D	Upper Bracket (driver)	K	1	2L72-M1B0AA	Lighted Bar Assembly
D	1	52014BA-P	Upper Bracket (passenger)	L	2	2L72-M1B6CA	Auxiliary Bracket Light
E	1	52014EA-D	Auxiliary Bracket (driver)	M	2	2L72-M1B4BA	Support Bracket
F	1	52014EA-P	Auxiliary Bracket (passenger)	N	2	2L72-M1B6DA	Lateral Lights Support
G	1	52014CA-D	Lower Extension Bracket (driver)	O	1	2L72-M1B4AA	Spacer
H	1	52014CA-P	Lower Extension Bracket (passenger)	P	1	5201-F	5000 Series Road Defender Push Bumper LR

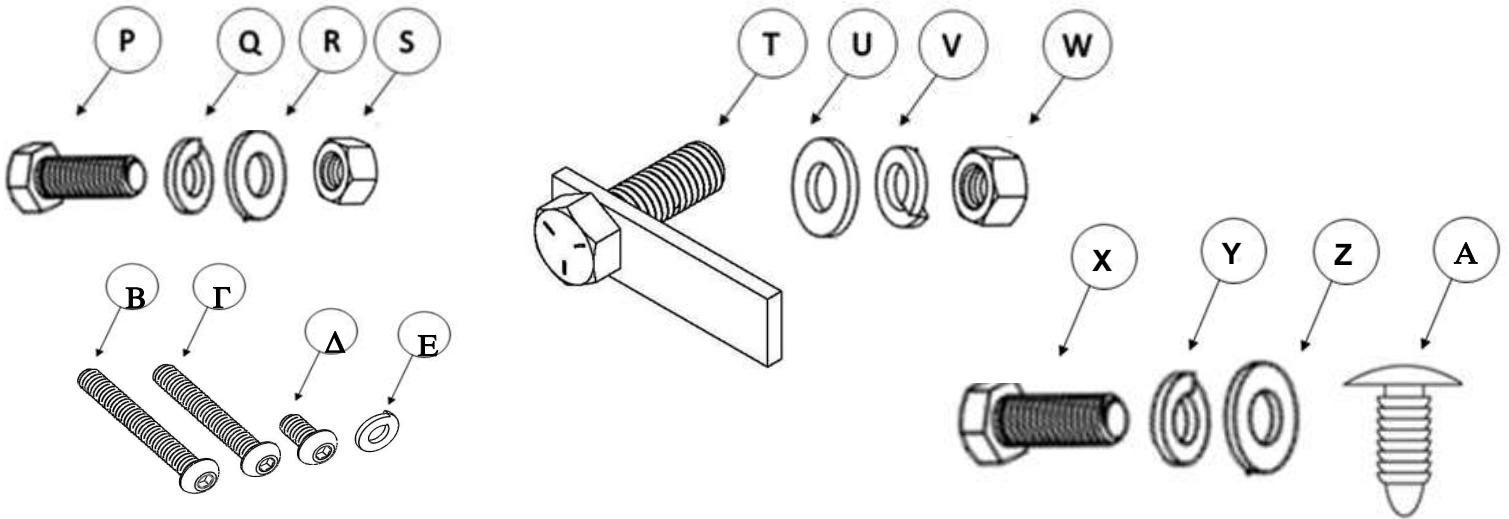




INSTALLATION INSTRUCTIONS

PARTS INCLUDED IN THIS LIST:

ITEM	QTY.	PART NUMBER	DESCRIPTION	TORQUE	ITEM	QTY.	PART NUMBER	DESCRIPTION	TORQUE
P	18		3/8" x 1" Hex Bolt (black)	26 ft-lbs	X	2		M10-1.5 x 35mm Hex Bolt	31 ft-lbs
Q	18		3/8" Lock Washer (black)		Y	2		M10 Lock Washer	
R	36		3/8" Flat Washer (black)		Z	2		M10 Flat Washer	
S	18		3/8" Hex Nut (black)		A	6		Push -In Ribbed Shank Rivet	
T	4		1/2" T-Bolt	64 ft-lbs	B	4		1/4 x 2" Allen Head Bolt	10 ft-lbs
U	4		1/2" Flat Washer		Γ	2		1/4 x 1/2" Allen Head Bolt	10 ft-lbs
V	4		1/2" Lock Washer		Δ	2		1/4 x 1 3/4" Allen Head Bolt	10 ft-lbs
W	4		1/2" Hex Nut		E	6		1/4" Lock Washer	



Go Rhino recommends you, the installer, read this installation instruction manual from front to back before installing the product. You may also [click here](#) to view an installation video or visit <http://www.gorhino.com/Installation-Videos>.

TOOLS NEEDED FOR INSTALLATION:

- Inch / Metric Socket & Wrench Set
- Ratchet, Ratchet Extensions & Swivel Joint Adapter
- Trim Removal Tool or Slotted Blade Screw Driver
- Drill Motor & 1/4" Drill Bit
- Cutoff Tool & Diagonal-Cutting Pliers

ESTIMATED TIME FOR INSTALLATION:	1.5 Hour
-----------------------------------------	-----------------

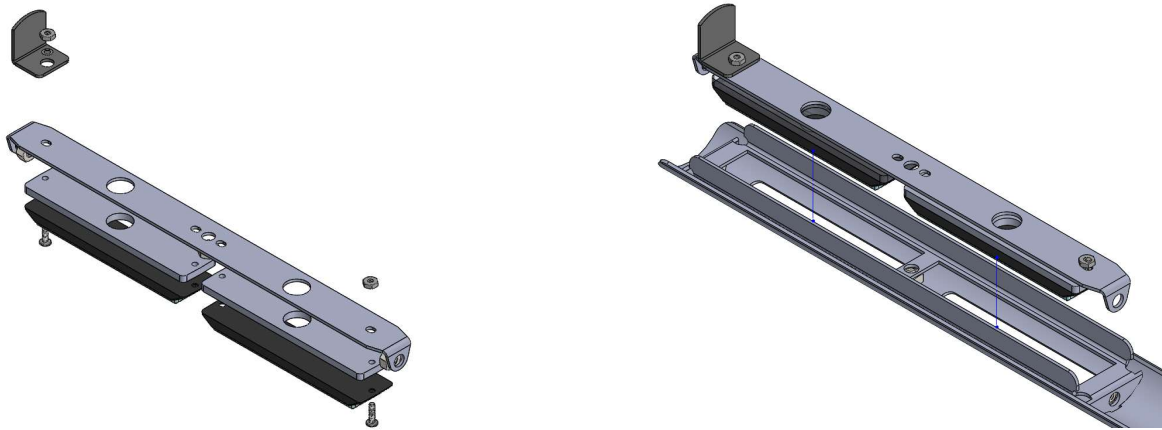
If you need installation service for your new product, call the authorized distributor from whom you purchased the product or an authorized installation service company which can be found by calling toll free 1-888-427-4466

GORRHINO®

INSTALLATION INSTRUCTIONS

Light Bar Assembly

1. Assemble the lights using (1) support bracket, (1) auxiliary bracket, (2) spacers, (2) #6-32 allen head bolt, (2) #6-32 lock nut and (1) #6-32 flat washer



2. Place the light on top of the mask bracket and align it. Secure the assembly using (3) 1/4" x 3/4" allen head bolt **See image 2 & 3.**



3. Repeat steps 1 , 2 & 3 for the other light.

Note: Make sure that all the lights have the same orientation.

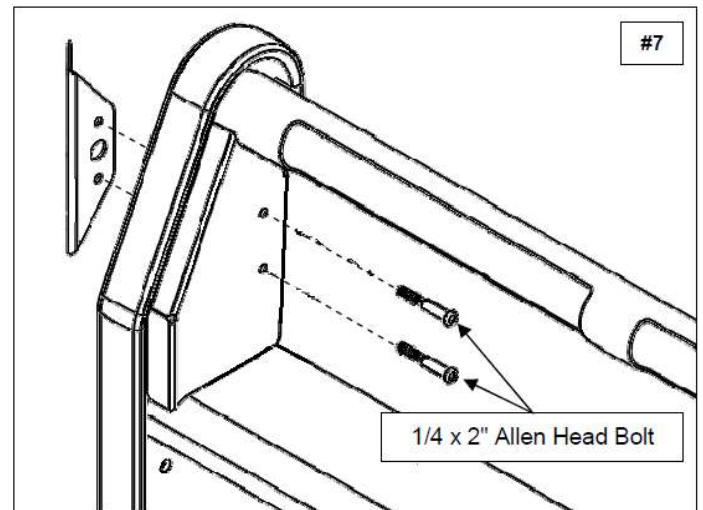
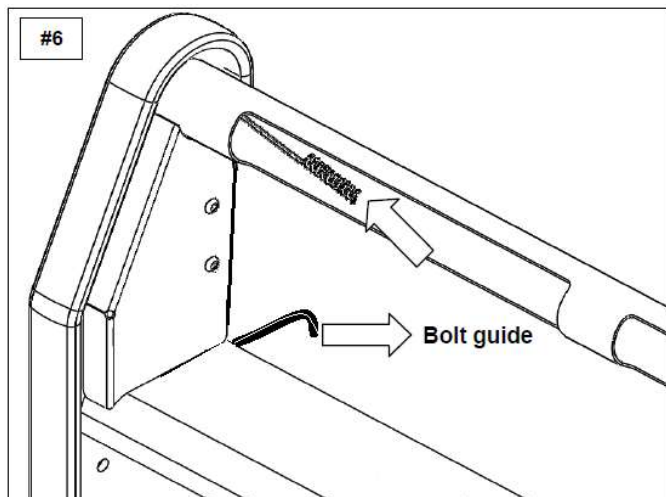
4. Refer to the installation and maintenance manual included with the lights to wire and configure the flash pattern. Note: Leave several feet of connector cable for connection to the light controller

GO RHINO®

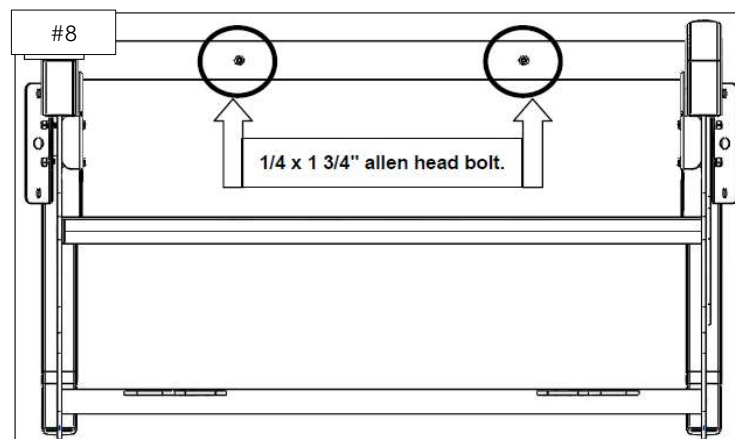
INSTALLATION INSTRUCTIONS

5. Feed the connector cable through the hole in the front bar channel and side panel until the hole in the push bumper center plate. Use the bolt guide attached to the side plate. **See image 6.**

6. Place the lateral lights support in upright and attach using: (2) 1/4 x 2" Allen Head Bolt. Repeat for the other side. **See image 7. Note:** If you do not want to install the lateral lights support, attach with: (2) 1/4 x 2" Allen Head Bolt, (2) 1/4" flat and lock washers, (2) 1/4" hex nuts by each side.



7. Secure the light bar assembly to the light bar tube using two 1/4"x1 3/4" allen head bolt. **See image 8.**

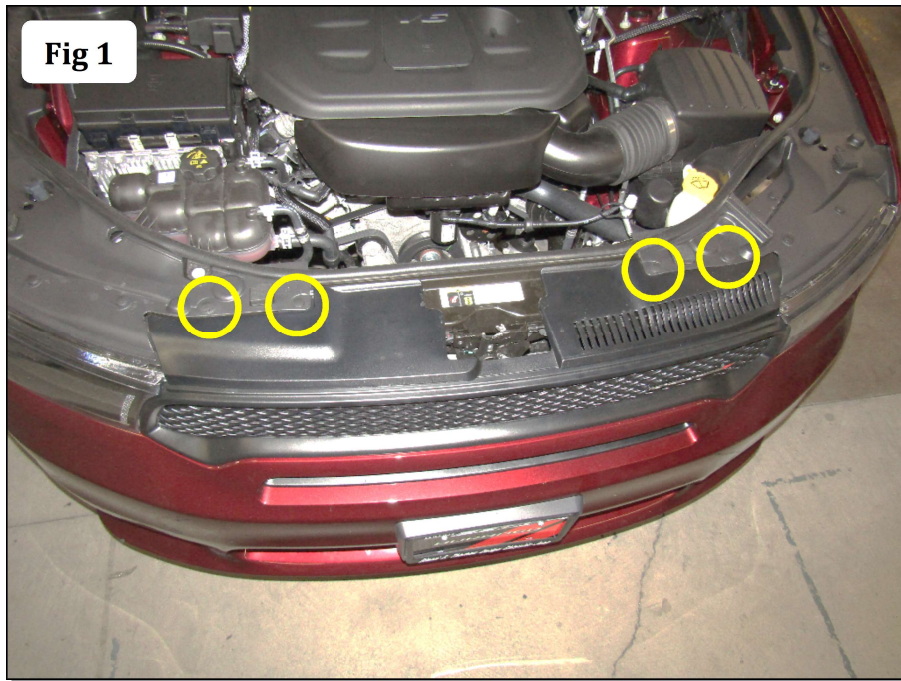


GO RHINO®

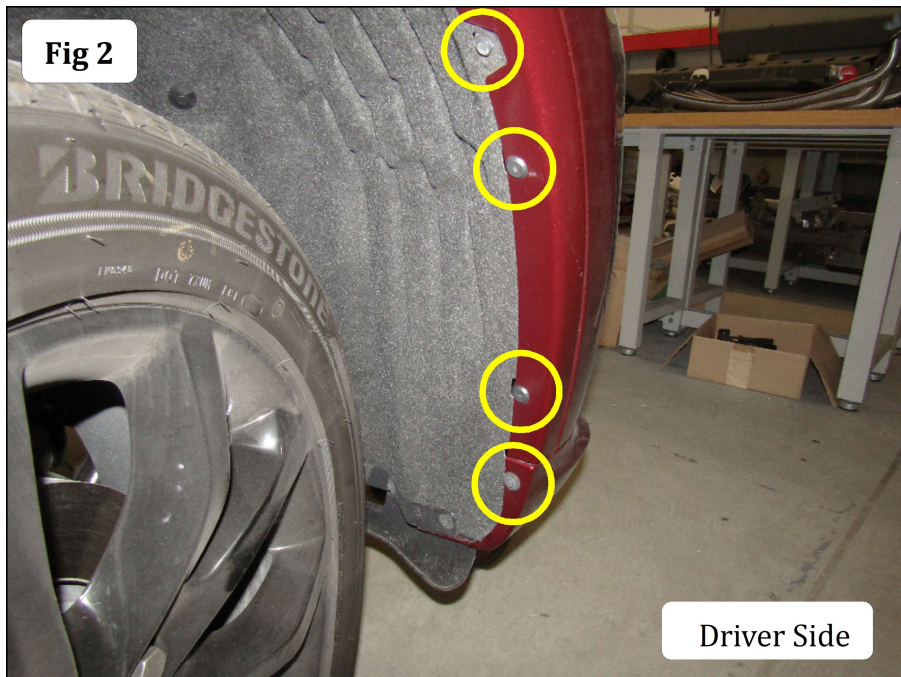
INSTALLATION INSTRUCTIONS

OEM Bumper Cover Removal

Step-1 Open the hood and locate the (4) plastic push pin rivets (2) per side securing the upper grille to the core support, (Fig 1). Using a flat blade screw driver or trim removal tool, pry the head of the push pin up, and remove the push pin and rivet body.



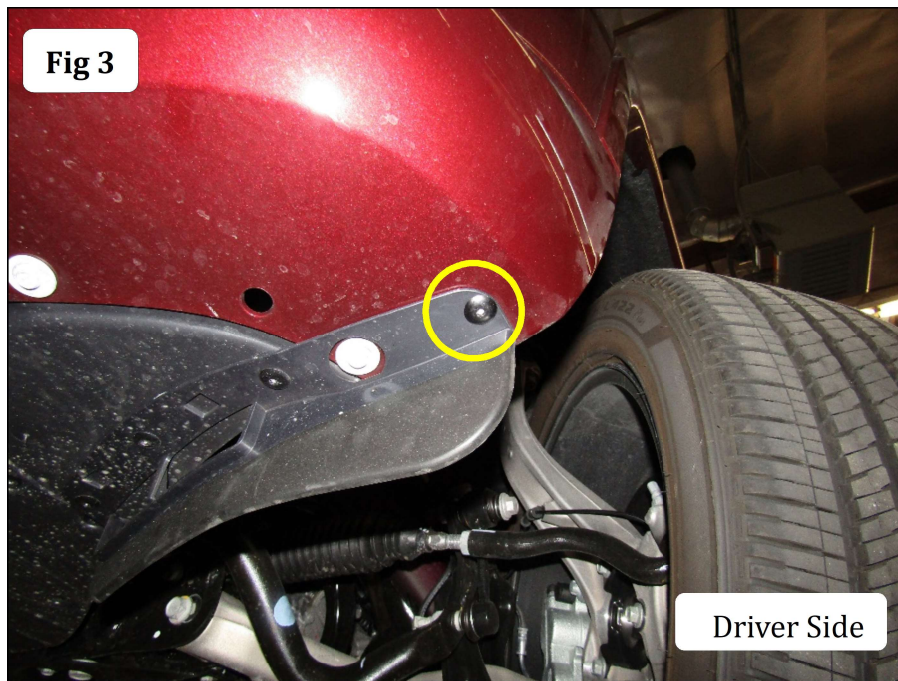
Step-2 On each side of the vehicle remove (1) screw using an 8mm socket and (1) screw using a 10mm socket. Use diagonal-cutting pliers to remove (2) plastic rivets attaching the fender liner to the bumper cover, (Fig 2). **Note:** The OEM plastic rivets attaching the fender liner to the bumper cover will be replaced with the supplied Push-In Ribbed Shank Rivets.



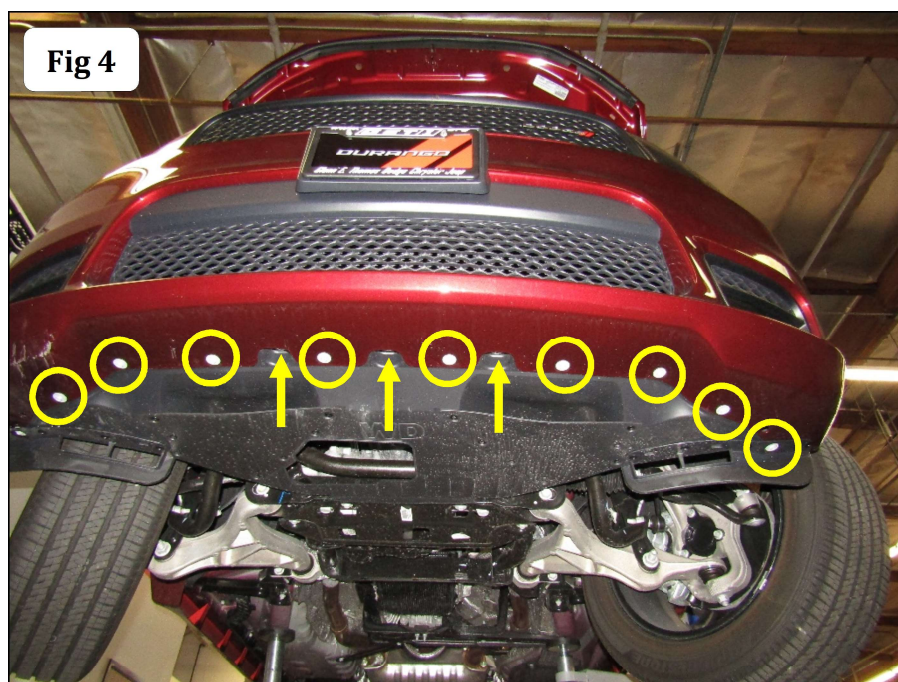
GO RHINO®

INSTALLATION INSTRUCTIONS

Step-3 On each side of the vehicle remove (1) aluminum rivet attaching the applique panel to the bumper cover by drilling on the hollow part of the rivet head until it comes off the shank, (Fig 3). **Note:** The aluminum rivets attaching the applique panel to the bumper cover will be replaced with the supplied Push-In Ribbed Shank Rivets.



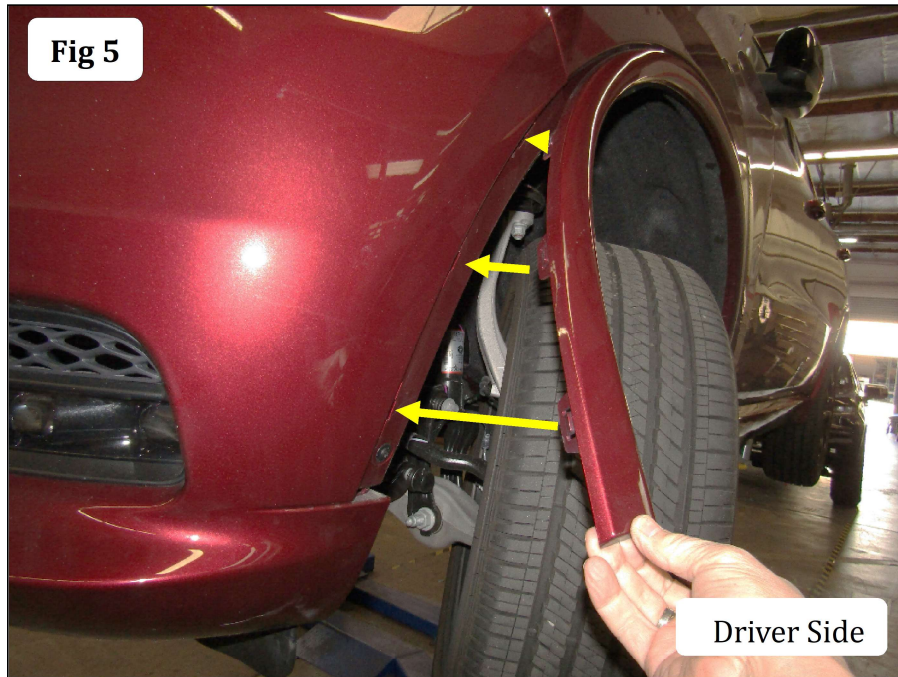
Step-4 Using a 10mm socket remove the (13) screws attaching the bumper cover to engine splash shield, (Fig 4).



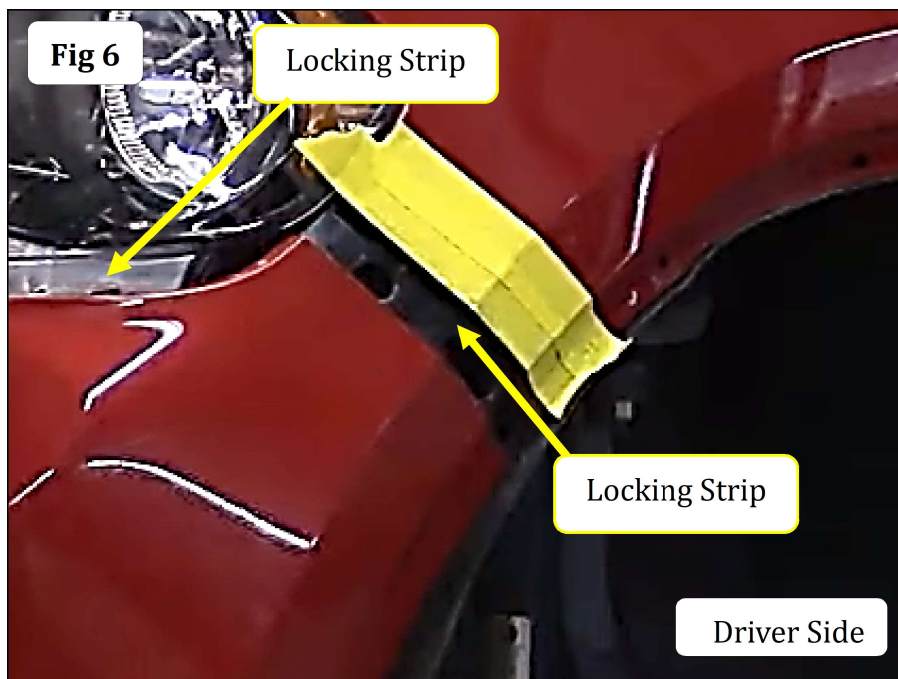
GO RHINO®

INSTALLATION INSTRUCTIONS

Step-5 on each side of the vehicle, pull out on the lower edge of the fender flair to detach it from the bumper cover, releasing (3) clips from behind, (Fig 5).



Step-6 Pull out on the corners of the bumper cover to release it from the locking strip located on each side and under each headlight, (Fig 6). Note: On the passenger side disconnect the fog light wiring harness from the vehicle harness if the vehicle is so equipped. Remove the bumper cover from the vehicle.

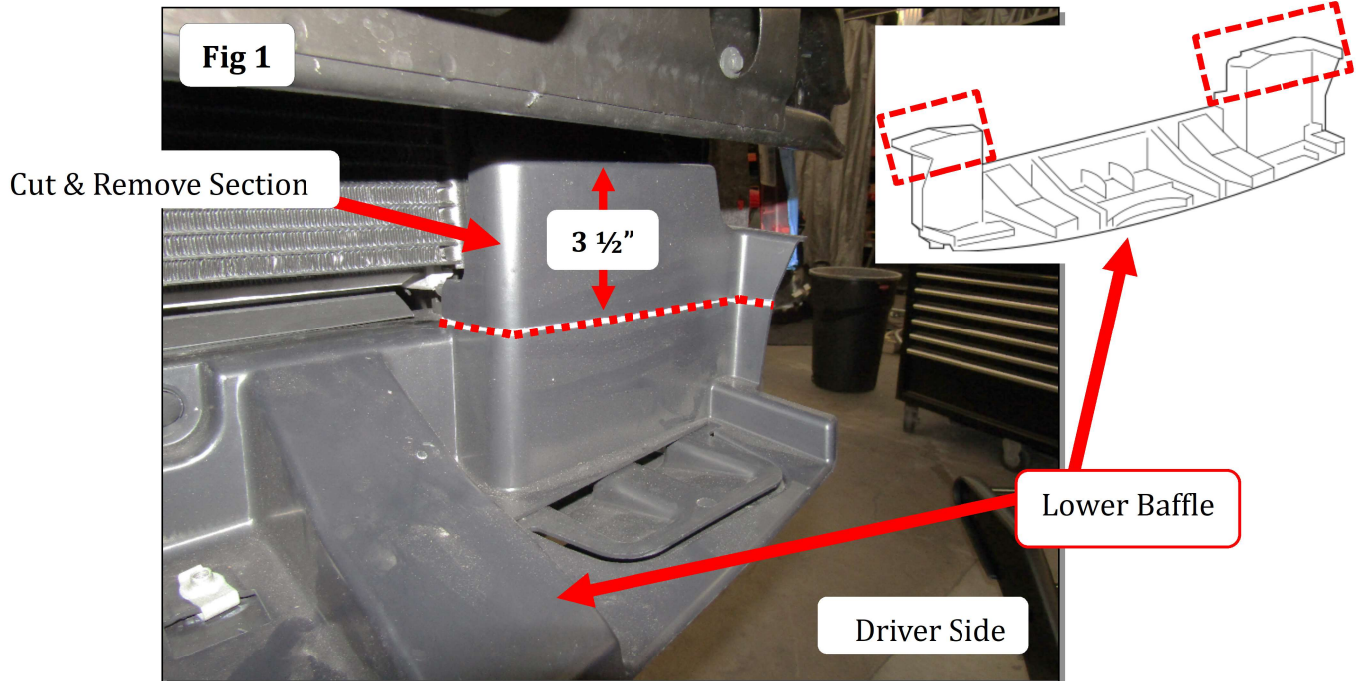


GO RHINO®

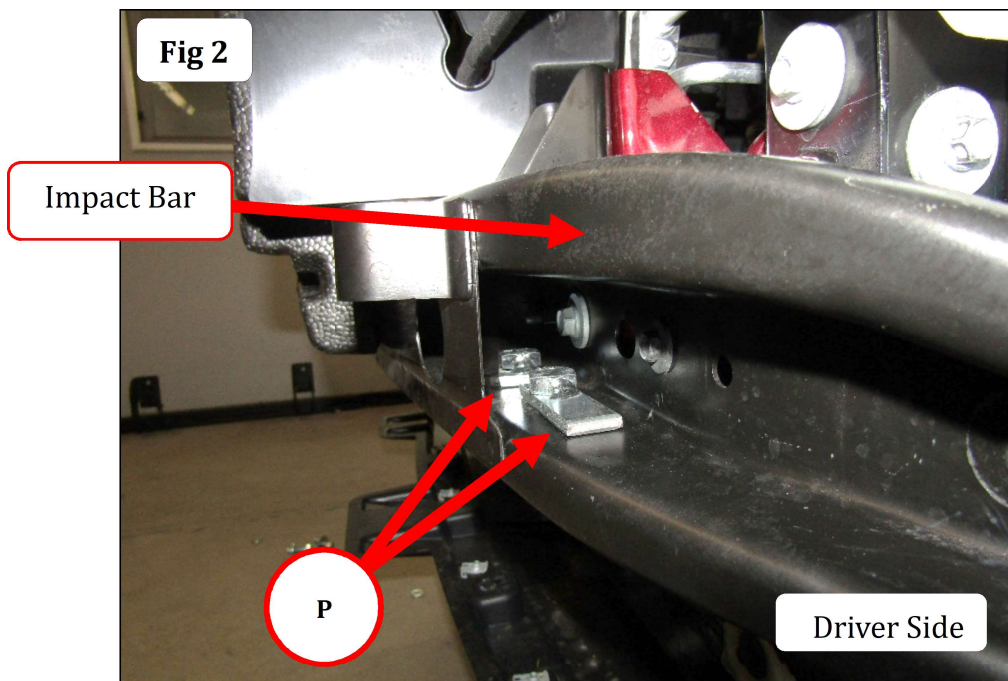
INSTALLATION INSTRUCTIONS

Push Bumper Installation

Step-1 Measure cut and remove a section from each side of the lower baffle, (Fig 1).



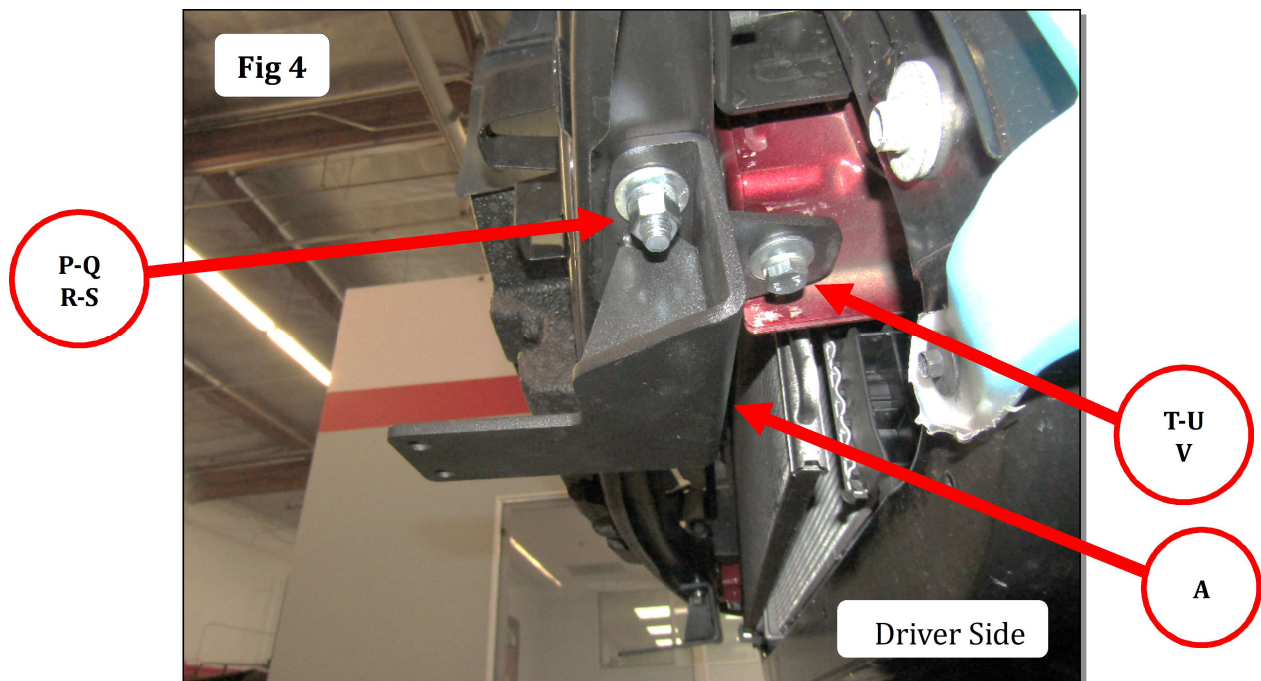
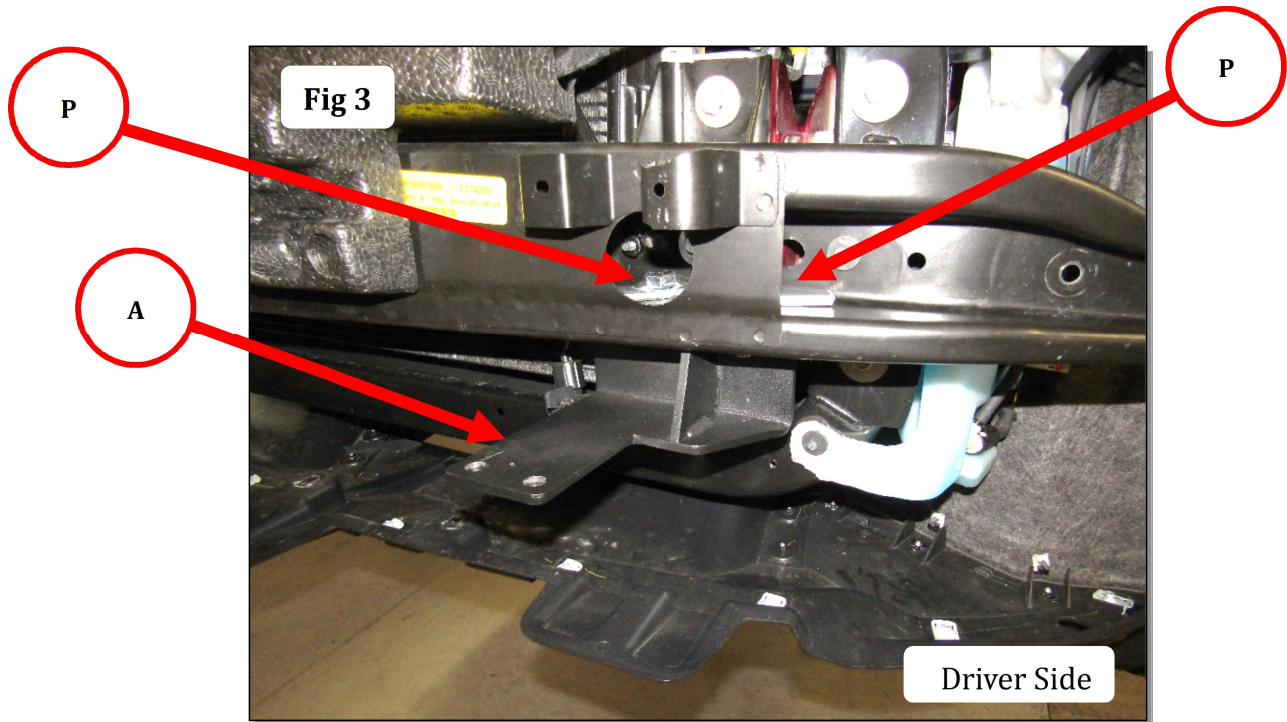
Step-2 On the driver side of the vehicle, locate the (2) holes in the impact bar and install 1/2" t-bolts, (Fig 2).



GO RHINO®

INSTALLATION INSTRUCTIONS

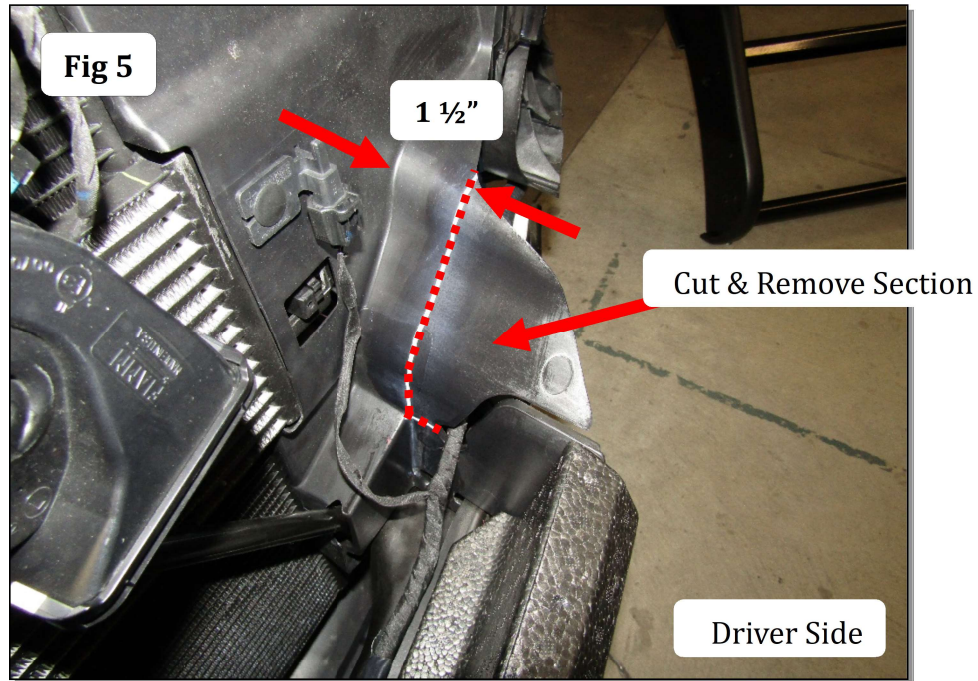
Step-3 Attach the driver side lower bracket to the impact bar using the ½” bolt plates, (2) ½” flat washers, (2) 1/2” lock washers and (2) ½” hex nuts, and to the threaded hole in the body structure using (1) M10 x 35mm hex bolt, (1) M10 lock washer and (1) M10 flat washer, (Fig 3 & 4). Repeat to install the passenger side lower bracket.



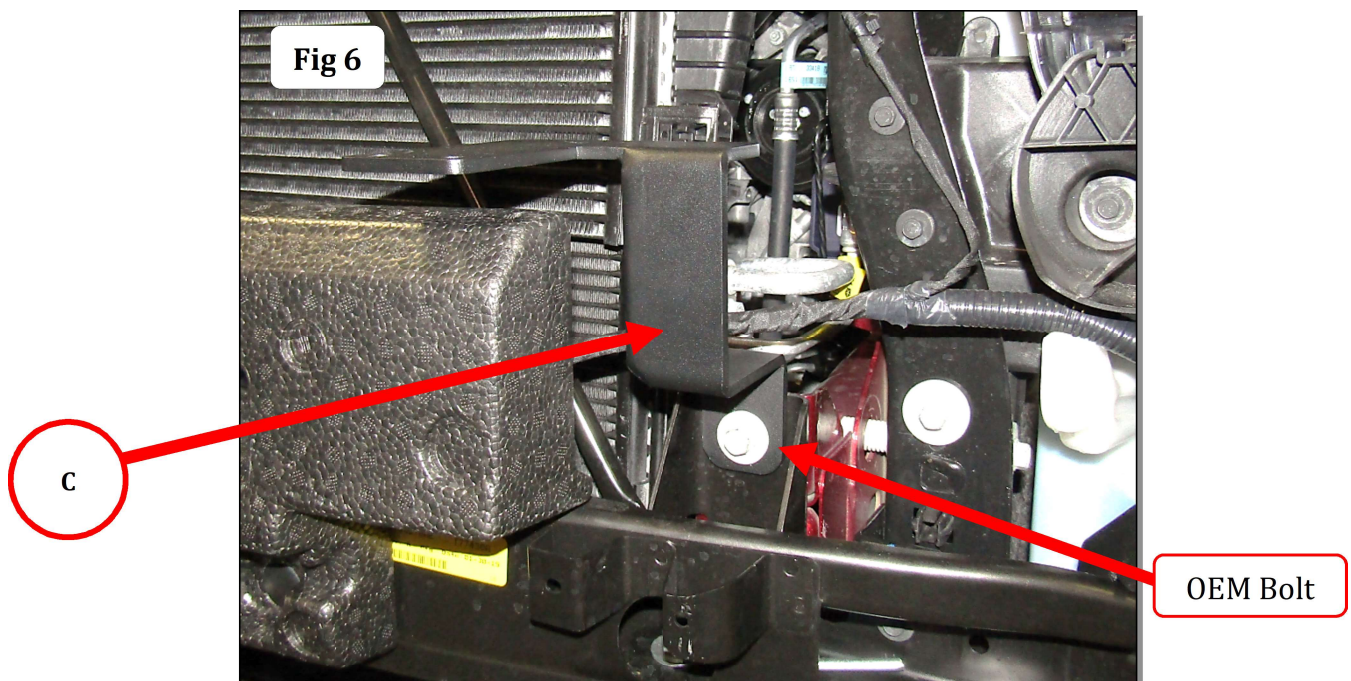
GO RHINO®

INSTALLATION INSTRUCTIONS

Step-4 Measure cut and remove a section from the left and right upper air baffle, (Fig 5).

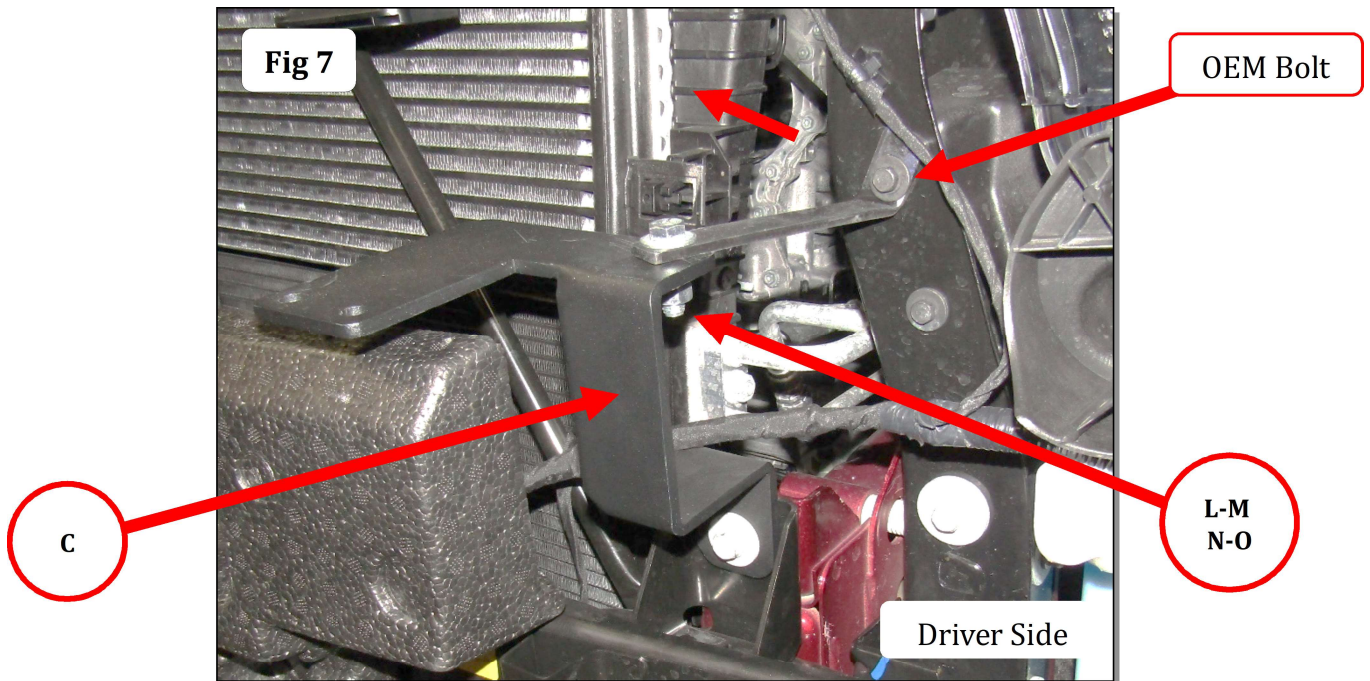


Step-5 Install driver side upper bracket by removing (1) OEM bolt securing the impact bar using a 13mm socket and re-install the bolt to secure the driver side upper bracket, Figure 6). Repeat to install the passenger side upper bracket.

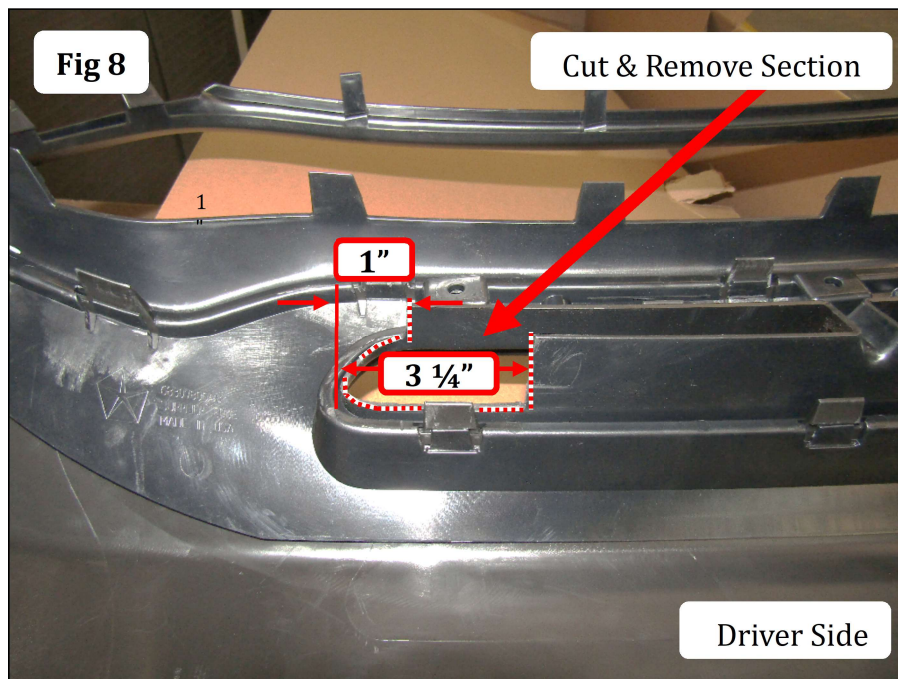


INSTALLATION INSTRUCTIONS

Step-6 Install driver side auxiliary bracket by removing (1) OEM bolt on the core support using a M10 socket, and re-install the bolt to secure the auxiliary bracket. Attach the opposite end of the auxiliary bracket to the upper bracket using (1) 3/8" x 1" hex bolt (2) 3/8" flat washers, (1) 3/8" lock washer and (1) 3/8" hex nut, (Fig 7). Tighten all nuts and bolts securing the lower brackets, upper brackets and auxiliary brackets. Repeat to install the passenger side auxiliary bracket.



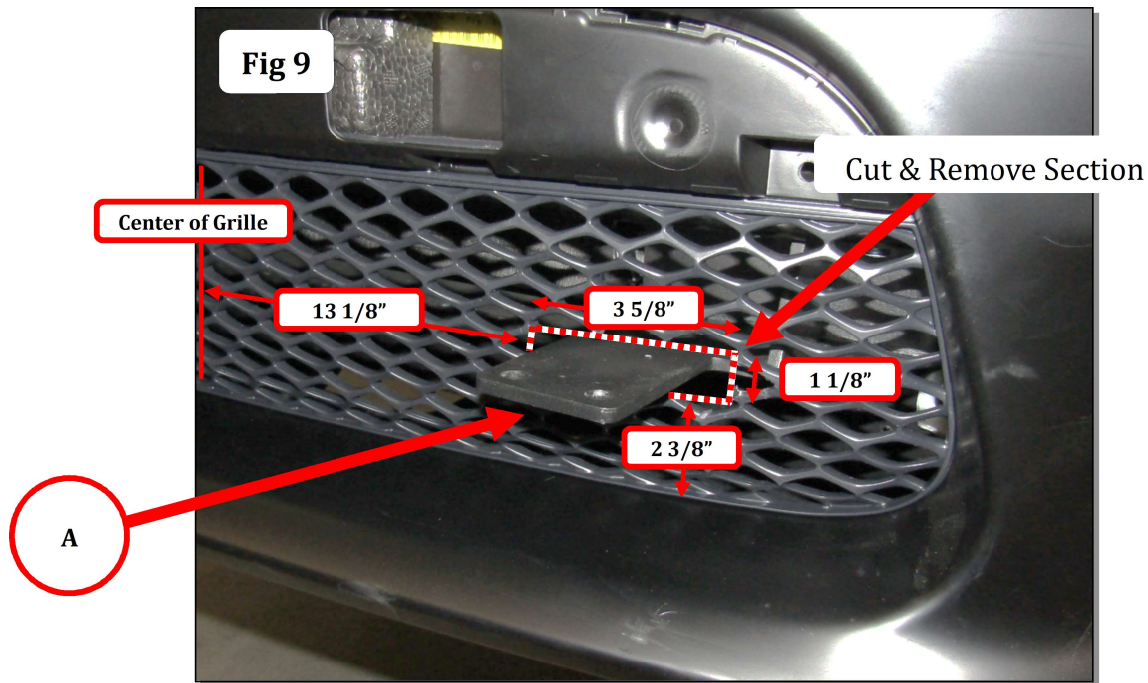
Step-7 A section must be cut out from each side of the upper grille surround to allow clearance for the upper brackets. Measure, cut and remove the outlined section from the driver and passenger side of the upper grille surround as shown, (Fig 8). Repeat for the passenger side.



GO RHINO®

INSTALLATION INSTRUCTIONS

Step-8 An area of webbing in each side of the lower grille panel must be cut out for the lower brackets to extend through. Re-position the bumper cover on the vehicle, then cut and remove the webbing from each side of the lower grille as shown, (Fig 9).



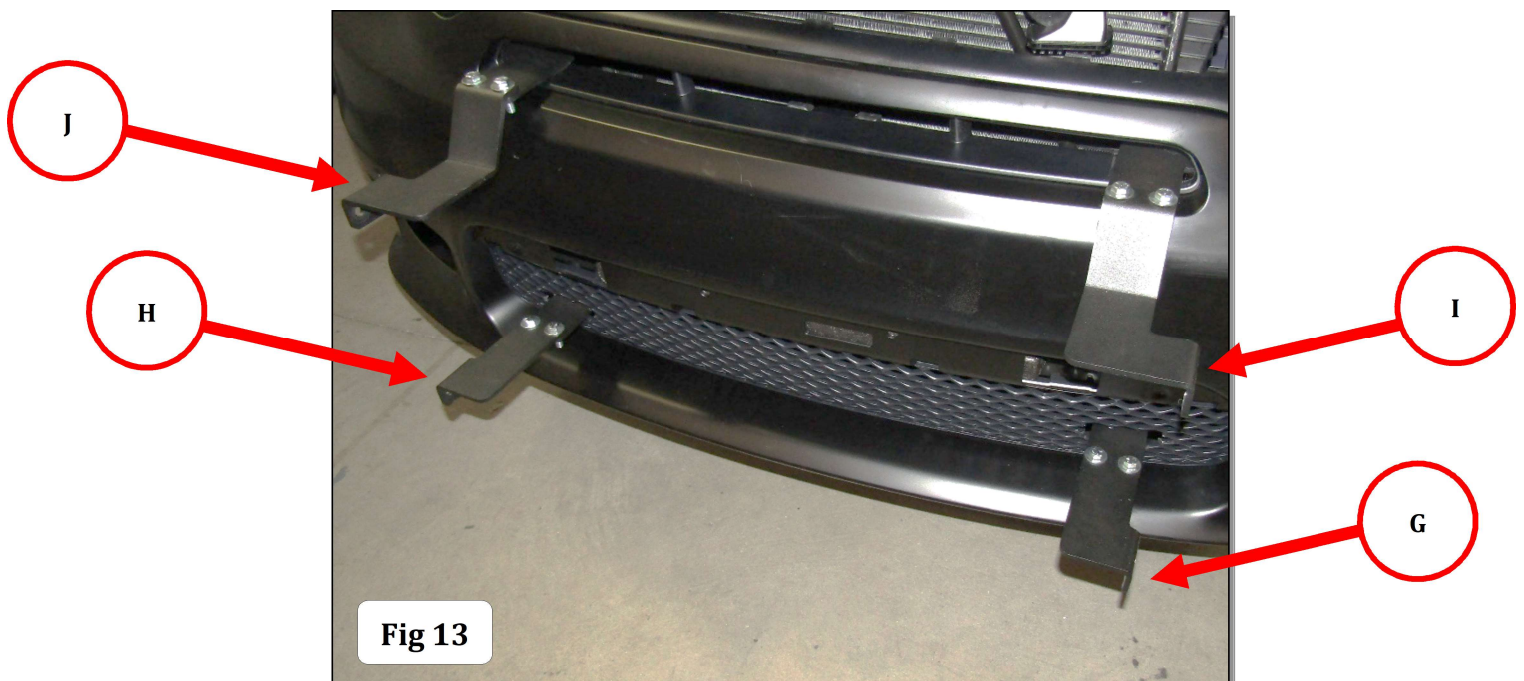
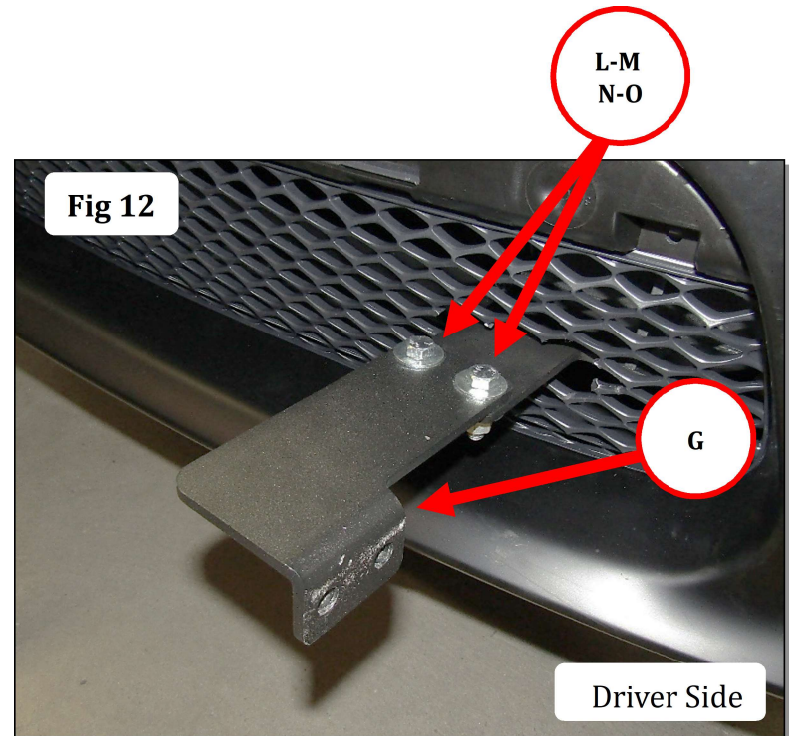
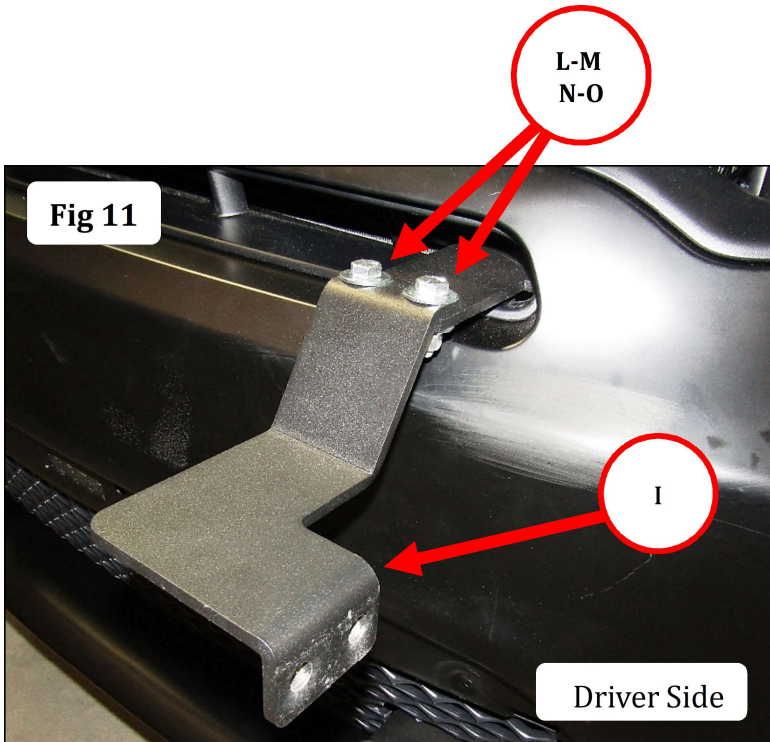
Step-9 Reinstall the bumper cover. (Fig 10).



GO RHINO®

INSTALLATION INSTRUCTIONS

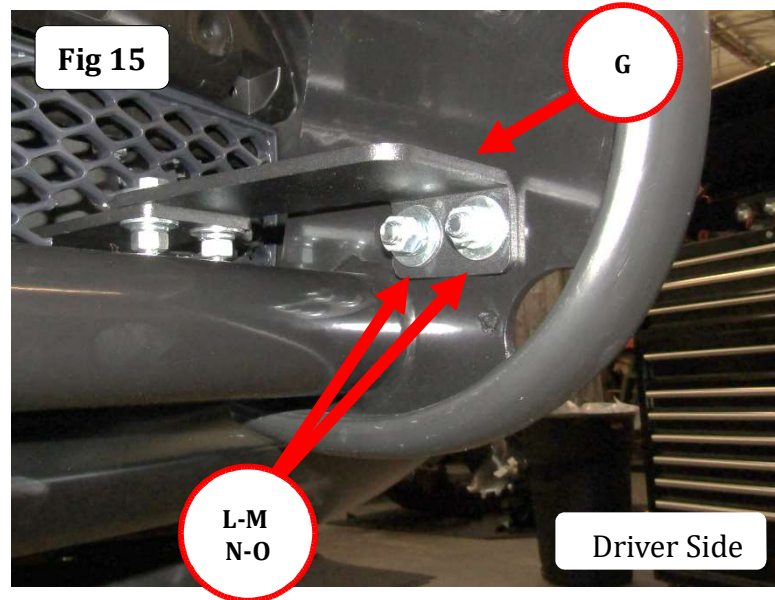
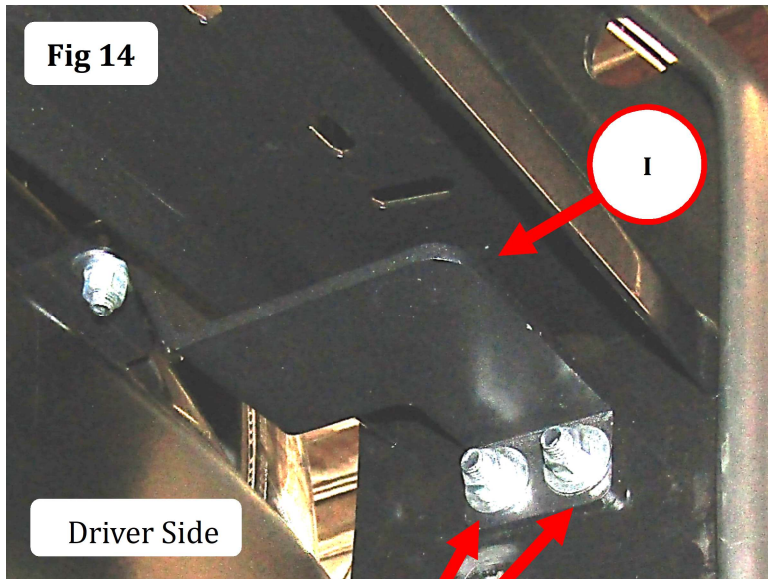
Step-10 Attach the driver side upper and lower extension brackets to the upper and lower brackets using (2) 3/8" X 1" hex bolts, (4) 3/8" flat washers, (2) 3/8" lock washer and (2) 3/8" hex nuts for each bracket. Leave the nuts and bolts loose for final adjustment, (Fig 11 & 12). Repeat to install the passenger side extension brackets, (Fig 13).



GO RHINO®

INSTALLATION INSTRUCTIONS

Step-11 Attach the push bumper to each of the extension brackets using (2) 3/8" x 1" hex bolts, (2) 3/8" flat washers, (2) 3/8" lock washers and (2) 3/8" hex nuts, (Fig 14 & 15). Leave the nuts and bolts loose for final adjustment.



Step-12 Align the push bumper with the vehicle and tighten all nuts and bolts.





INSTALLATION INSTRUCTIONS

LIMITED WARRANTY

Go Rhino warrants to Buyer that for a period of five (5) years from the date of shipment of the product(s) ("Warranty Period") for black finishes and chrome finishes, that such products will materially conform to the specifications set forth in Go Rhino's specifications in effect as of the date of shipment(s) and will be free from material defects in material workmanship.

Go Rhino warrants to Buyer that for the life of the product(s) from the date of shipment of the product(s) ("Warranty Period") for polished stainless steel finished products purchased after April 2004, that such products will materially conform to the specifications set forth in Go Rhino's specifications in effect as of the date of shipments and will be free from material defects in material workmanship.

Warranty claims must be accompanied with the original invoice and photos of the product. It is the customer's responsibility to clean regularly and protect finish with regular applications of a nonabrasive polish that is compatible with the product's finish.

This warranty covers the cost of the product only and does not include the cost of removal, installation, third party modifications or shipping of the product. In no event shall Go Rhino be liable to buyer or any third party for any damage or harm caused by the product or use thereof, regardless of whether such damages were foreseeable and whether or not Go Rhino has been advised of the possibility of such damages, not withstanding the failure of any agreed or other remedy of its essential purpose. This warranty is void if the product shows signs of alteration, misuse, mishandling, improper care, neglect, improper application and/or damage due to improper installation.

With respect to any such product(s) during the limited warranty period, Go Rhino shall, in its sole discretion, either: (i) provide a one-time repair or replacement of such products (or the defective part) or (ii) credit or refund the price of such products at the pro rata contract rate provided that, if Go Rhino so requests, Buyer shall, at Go Rhino's expense, return such product(s) to Go Rhino. The remedies shall be the Buyer's sole and exclusive remedy and Go Rhino's entire liability for any breach of the limited warrant(ies).

Go Rhino disclaims all other warranties except to the extent that any such warranty cannot be validly disclaimed under applicable law.

Finish Limited Warranty:

Limited lifetime on stainless steel products (after April 2004)

5 year warranty on black powder coat products

5 year warranty on chrome products

This warranty does not cover exposed welds

Finish warranty covers peeling, flaking, or cracking. Washing all finishes regularly with car wash soap and rinsing well with water is the best method for maintaining the finish on your products. You must also protect the finish with nonabrasive automotive wax on a regular basis. The use of any compound which contains abrasives becomes a self-defeating exercise as the compound scratches the finish and opens it to corrosion. The use of harsh chemicals used to remove bugs and tar may also cause the finish to fail and should be avoided.

If you are unsatisfied with your purchase please contact the establishment you purchased the product from.

If you need to place a warranty claim or need assistance, the Go Rhino customer service team will answer any questions you may have. Please contact the Go Rhino customer service team at 1-888-427-4466 during normal business hours Monday thru Friday 7 am to 5 pm PST. You may also email warranty@gorhino.com. In order to better serve you please provide a copy of the original invoice / receipt, a photo of the issue you are experiencing and a photo of the vehicle the product is installed on.

All warranty returns must have an approved RGA number. The RGA number must be clearly marked on the exterior of the return package. All approved warranty returns must be shipped to Go Rhino Products, 810 Nafta Blvd Laredo, TX 78045

PRODUCT REGISTRATION

Please remember to register your new purchase. You may register your product at www.gorhino.com. Registering your product may help speed any future warranty or customer service inquiries.

Thank you again for purchasing from Go Rhino Products

Please take a few minutes to view additional products for your vehicle and more at GORRHINO.com
These installation instructions are available on the Go Rhino web site along with installation videos for many of our products.

www.gorhino.com

www.bigcountryauto.com

www.gorhinopd.com