

**2015 Chevrolet Silverado / GMC Sierra 2500HD, 3500HD Double Cab
(Diesel)****393765**

PARTS LIST

Item	Qty.	Part No.	Description	Torque
1	1 set	393764AA	Front Bracket	
2	1 set	393764BA	Middle Bracket	
3	1 set	393764CA	Rear Bracket	
4	1 set	393014DA	Front Auxiliary Bracket	
5	1 set	391014FA	Middle Auxiliary Bracket	
6	1 set	390764BA	Rear Auxiliary Bracket	
7	6 pcs		5/16" Bolt plate	
8	6 pcs		5/16" Flat washer Zinc plated	
9	6 pcs		5/16" Lock washer Zinc plated	
10	6 pcs		5/16" Hex nut Zinc plated	11 Ft. Lbs.
11	6 pcs		3/8 x 1" Carriage bolt Black plated	30 Ft. Lbs.
12	6 pcs		3/8" Flat washer Black plated	
13	6 pcs		3/8" Lock washer Black plated	
14	6 pcs		3/8" Hex nut Black plated	30 Ft. Lbs.
15	2 pcs		1/2" Flat washer	
16	12 pcs		5/16 x 1" Hex bolt Black plated	11 Ft. Lbs.
17	12 pcs		5/16" Flat washer Black plated	
18	12 pcs		5/16" Lock washer Black plated	
19	12 pcs		5/16" Hex nut Black plated	11 Ft. Lbs.

Tool Required:

- A. 1/2", 9/16", 21mm & 17mm (12point) socket
- B. Ratchet
- C. Ratchet extension
- D. 1/2", 9/16" & 15mm wrench

Before beginning the installation read all instructions thoroughly and verify that all hardware is accounted for. If there are any listed parts missing, please notify your distributor immediately.

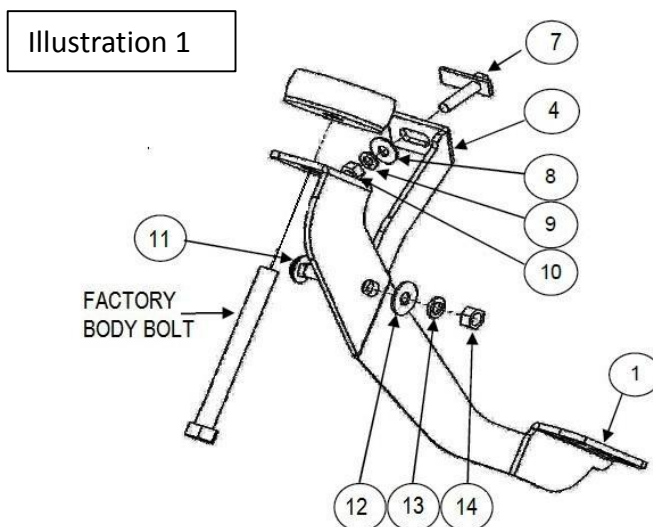
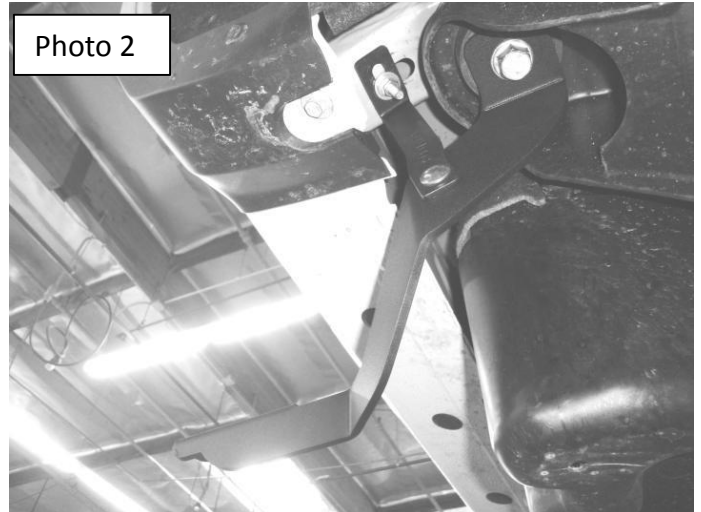
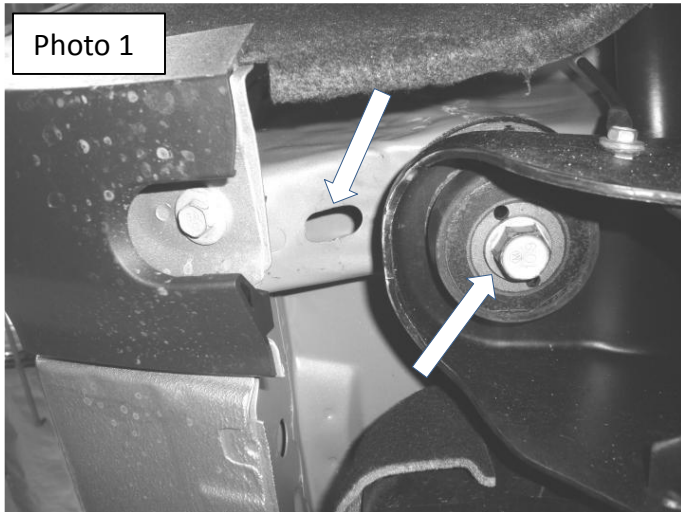
To maintain and care this product keep it clean and do not use abrasive cleaners or polish waxes. It is recommended to use only non-abrasive automotive wax such as pure carnauba to avoid scratches and rust.

WARNING! GM uses thread-locking compound on all factory body mount bolts. Removal using an air assisted impact or ratchet will damage the body mount bolt threads and the internal nut assembly.

We only recommend using hand tools to slowly remove and reinstall body mount bolts on all GM vehicles.

IMPORTANT! If during the body mount bolt removal process, it becomes increasingly difficult to unscrew the bolt with hand tools, tighten the bolt several rotations to clear the thread-locking compound from the threads, then reverse the direction and continue to unscrew the bolt until it is out. Repeat this process as necessary on all of the body mount bolts. Use of an appropriate anti-seize compound is highly recommended for re-installation. Tighten the body mount bolts to factory torque specifications.

1. Begin the installation by removing the passenger side front body mount bolt, (Photo 1). Keep all existing washers and bushing in place, and attach the passenger side front bracket to the vehicle using the factory body mount bolt. Leave the bolt loose for final adjustment, (Photo 2 & Illustration 1).
2. Locate the obround hole in the underside of the body and install one of the 5/16" bolt plates. Photo #1 Attach the passenger side front auxiliary bracket to the body using the bolt plate, (1) 5/16" flat washer, (1) 5/16" lock washer and (1) 5/16" hex nut. Attach the opposite end of the auxiliary bracket to the side of the front bracket using (1) 3/8" x 1" carriage bolt, (1) 3/8" flat washer, (1) 3/8" lock washer and (1) 3/8" hex nut. Leave the nuts and bolts loose for final adjustment, Photo 2 & Illustration 1).



3. Remove the passenger side middle body mount bolt, (Photo 3). Keep all existing washers and bushing in place, and attach the passenger side middle bracket to the vehicle using the factory body mount bolt. Leave the bolt loose for final adjustment, (Photo 4 & Illustration 2).

4. Locate the obround hole in the underside of the body and install one of the 5/16" bolt plates, (Photo 3). Attach the passenger side middle auxiliary bracket to the body using the bolt plate, (1) 5/16" flat washer, (1) 5/16" lock washer and (1) 5/16" hex nut. Attach the opposite end of the auxiliary bracket to the side of the middle bracket using (1) 3/8" x 1" carriage bolt, (1) 3/8" flat washer, (1) 3/8" lock washer and (1) 3/8" hex nut. Leave the nuts and bolts loose for final adjustment, (Photo 4 & Illustration 2).

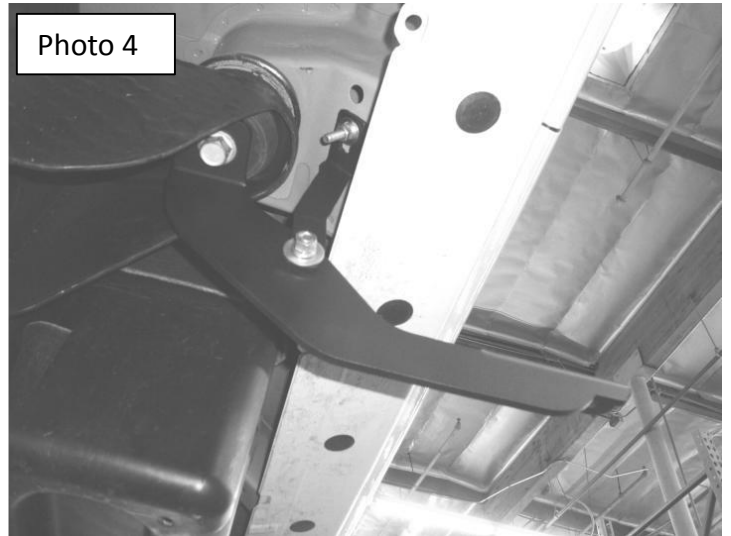
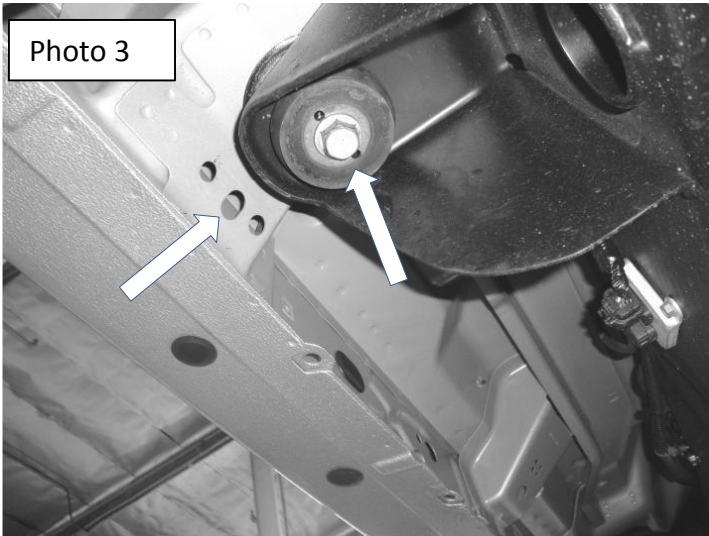
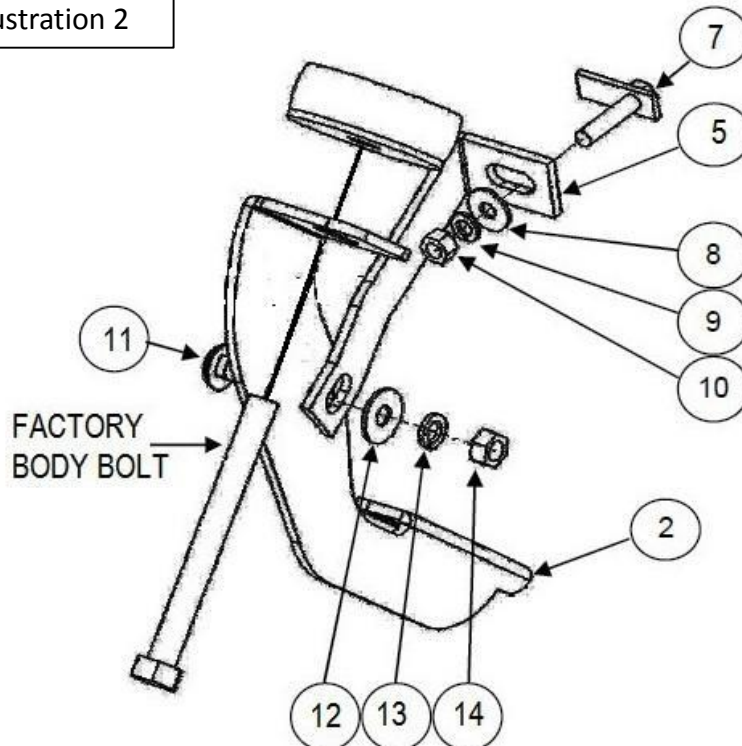


Illustration 2



5. Remove the passenger side rear body mount bolt, (Photo 5). Keep all existing washers and bushing in place, and attach the passenger side rear bracket to the vehicle using the factory body mount bolt and supplied 1/2" flat washer. Leave the bolt loose for final adjustment, (Photo 6 & Illustration 3).
6. Locate and remove the plastic plug in the body rocker panel to expose the round hole, and install one of the 5/16" bolt plates, (Photo 5). Attach the passenger side rear auxiliary bracket to the body rocker panel using the bolt plate, (1) 5/16" flat washer, (1) 5/16" lock washer and (1) 5/16" hex nut. Attach the opposite end of the auxiliary bracket to the side of the rear bracket using (1) 3/8" x 1" carriage bolt, (1) 3/8" flat washer, (1) 3/8" lock washer and (1) 3/8" hex nut. Leave the nuts and bolts loose for final adjustment, (Photo 6 & Illustration 3).

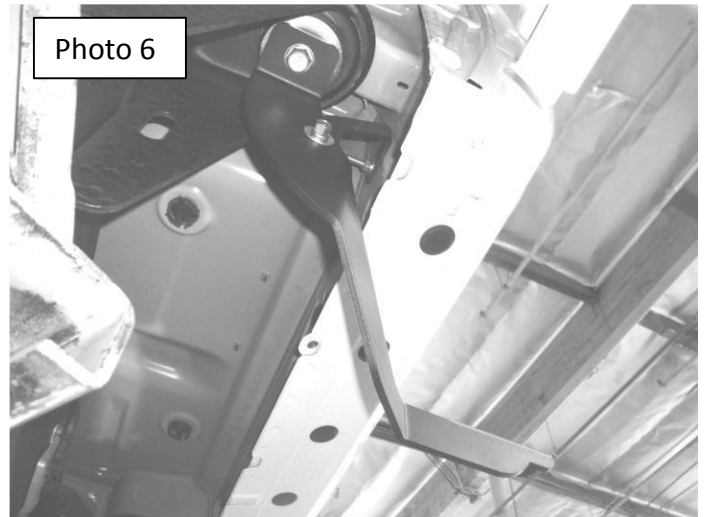
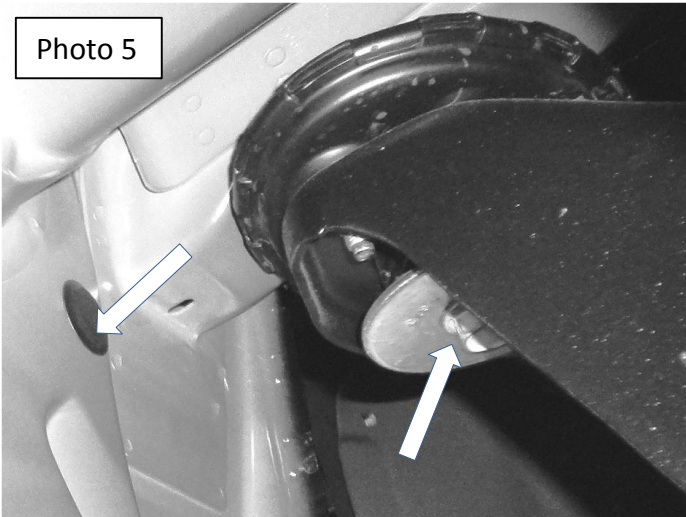
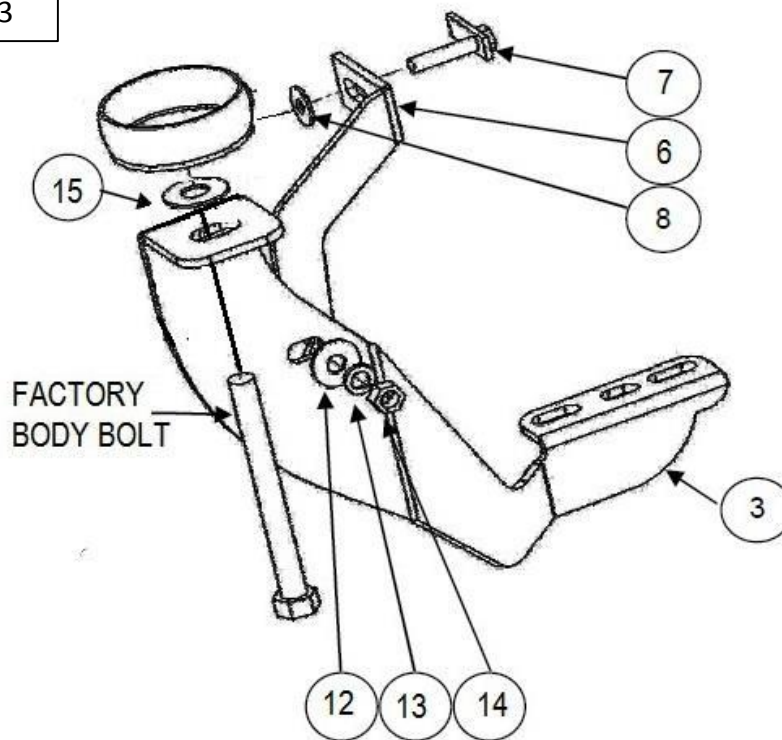
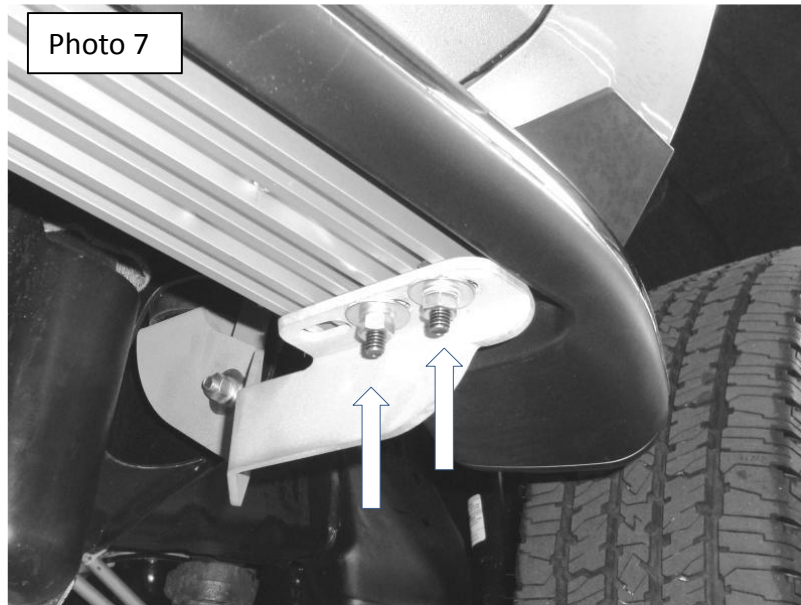


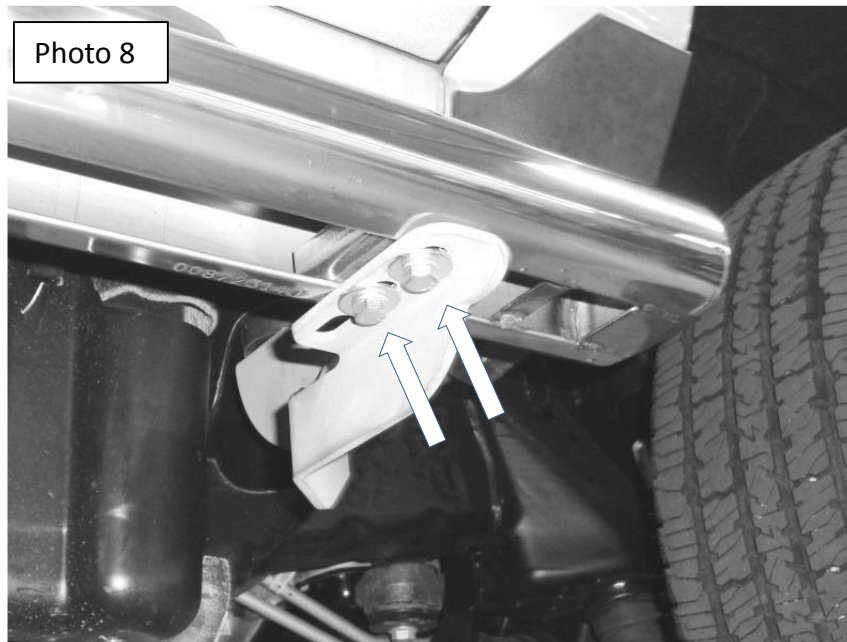
Illustration 3



If installing **5" or 6" Composite** side bars, install (6) 5/16" square head bolts in the aluminum rail on the underside of the side bar and attach the side bar to each bracket using (2) 5/16" flat washers, (2) 5/16" lock washers and (2) 5/16" hex nuts, **(Photo 7)**.



If installing **4", 5" or 6" Channel Mount** side bars attach the side bar to each bracket using (1) U-bracket (2) 5/16" hex bolts (2) 5/16" lock washers and (2) 5/16" flat washers, **(Photo 8)**.



7. Align the side bar with the vehicle and tighten all side bar and bracket nuts and bolts.
8. Repeat the installation steps to install the driver side brackets and side bar. Remember to check and retighten all nuts and bolts periodically.