

INSTALLATION INSTRUCTIONS

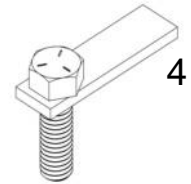
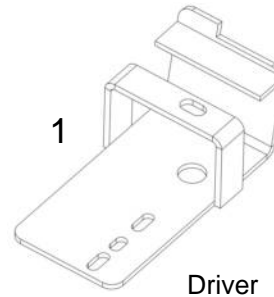
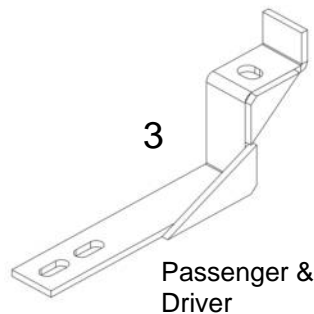
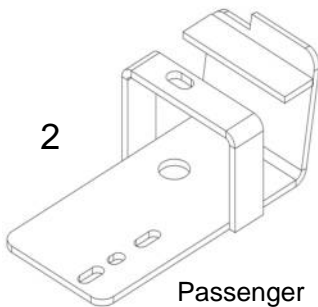
BRACKETS

KIA SORENTO

2015-2016

390325

PARTS LIST				
Item	Qty.	Part No.	Description	Torque
1	1 Set	3903250AA	Front bracket	-
2	1 Set	3903250BA	Rear bracket	-
3	2 Pc	3903250CA	Middle bracket	-
4	6 Pc	3750110	1/2" T Bolt	75 Lb.Ft
5	6 Pc	-	1/2" Flat Washer	-
6	6 Pc	-	1/2" Lock washer	-
7	6 Pc	-	1/2" Hex nut	75 Lb.Ft
8	12 Pc	-	5/16" x 1" Hex head bolt	11 Lb.Ft
9	12 Pc	-	5/16" Flat washer	-
10	12 Pc	-	5/16" Lock washer	-



Required tools

- A. Ratchet
- B. Ratchet extension
- C. 19mm Socket

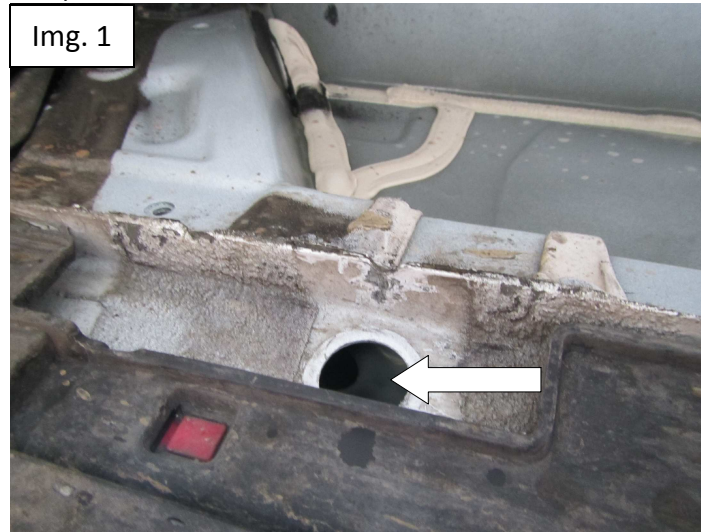
Before beginning the installation, please read all directions carefully and verify that all necessary hardware is accounted for. If any parts are missing, stop the installation and contact your distributor immediately.

To maintain and care this product keep it clean and do not use abrasive cleaners or polish waxes. We recommend to use only non-abrasive automotive wax such as pure carnauba to avoid scratches and rust.

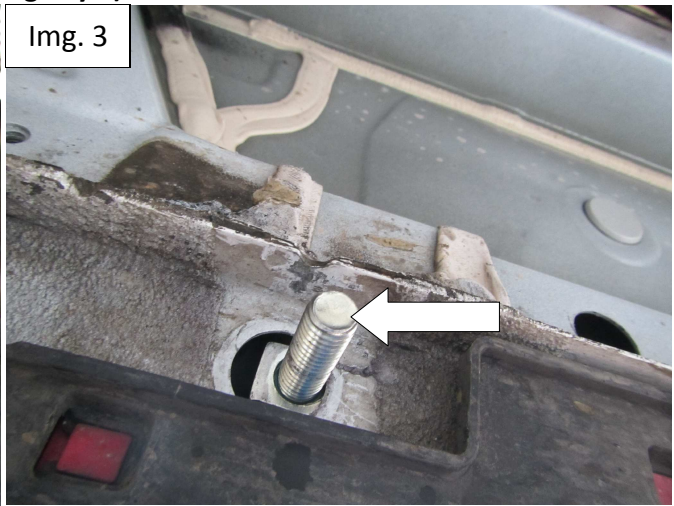
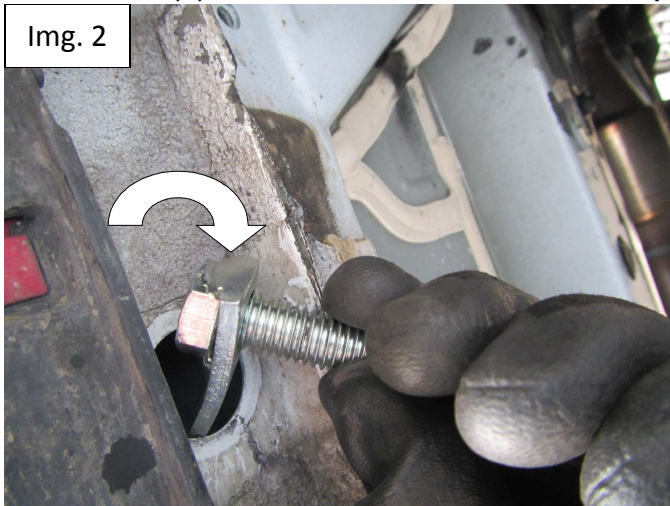
The approximate installation time is 45 min.

1. Remove the black cover under de vehicle

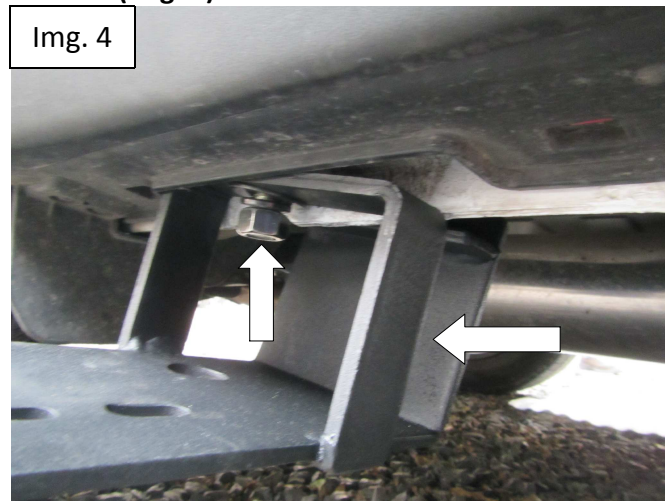
2. Remove the plastic caps located on the front, middle and rear of the vehicle. **(Img. 1)**



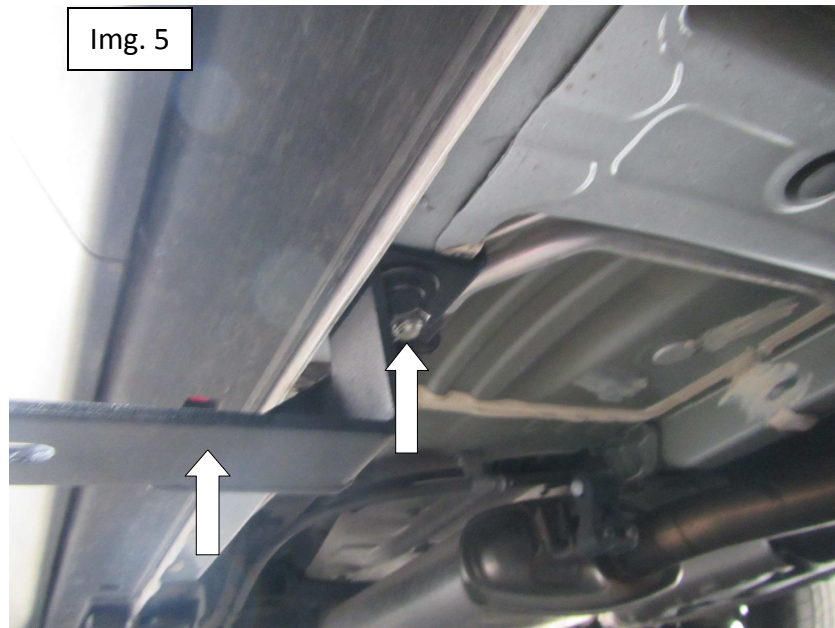
3. Place (1) "T" bolt in the front and rear holes **(Img. 2 y 3)**



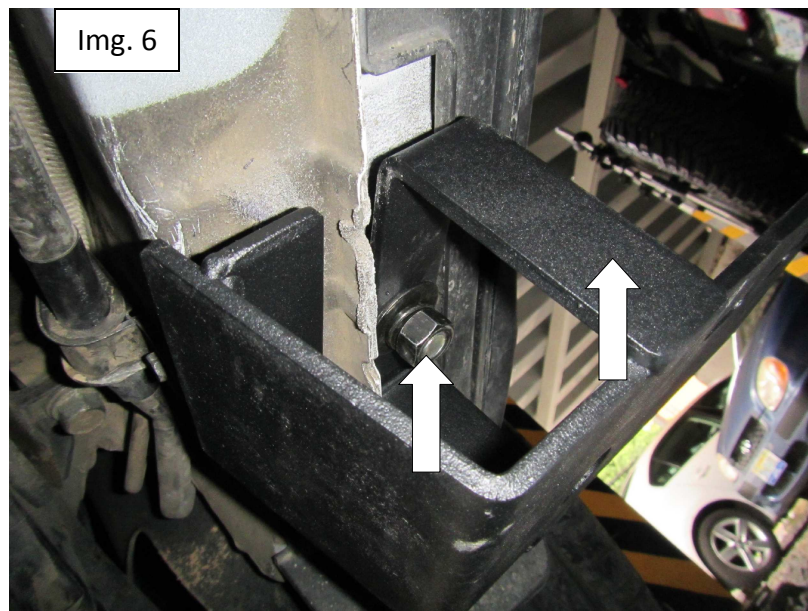
4. Install rear bracket to the "T" bolt using (1) ½" flat and lock washer and (1) ½" hex nut. Leave loose for final adjustment. **(Img. 4)**



5. Install center bracket to the "T" bolt using (1) ½" flat and lock washer and (1) ½" hex nut. Leave loose for final adjustment. **(Img. 5)**

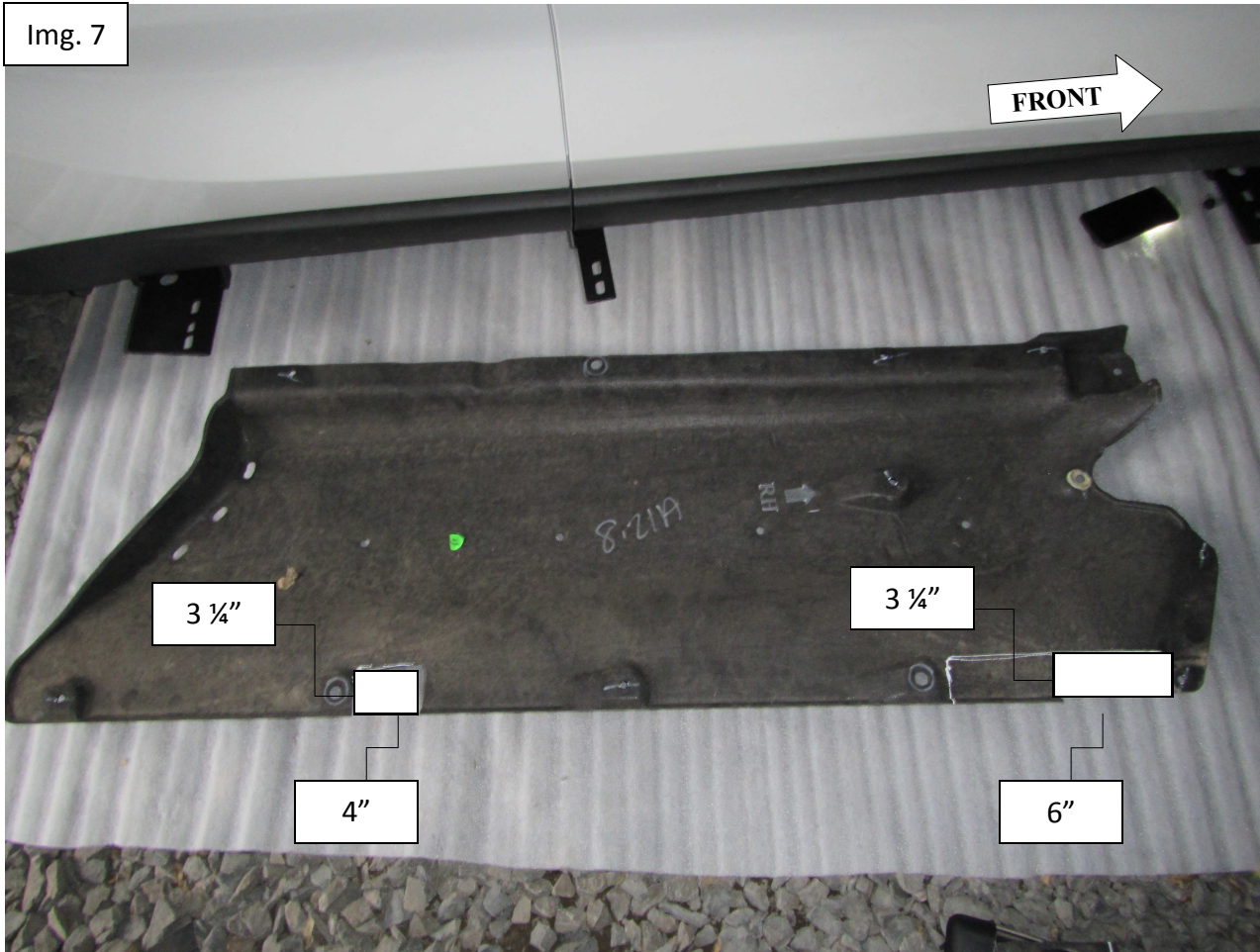


6. Install front bracket to the "T" bolt using (1) ½" flat and lock washer and (1) ½" hex nut. Leave loose for final adjustment. . (Img. 6)

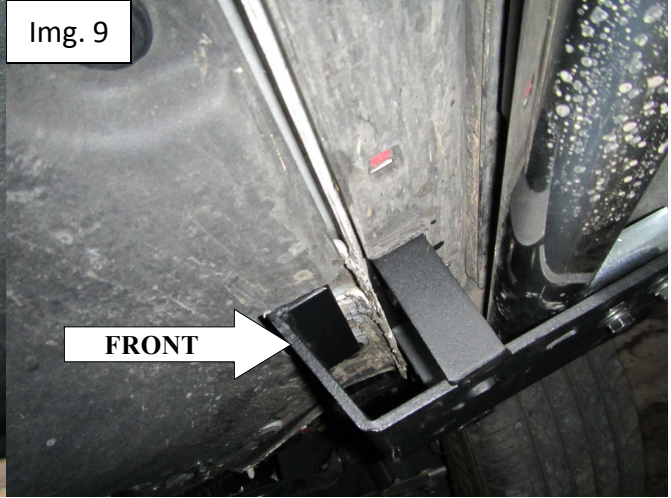


7. Repeat steps on the other side of the vehicle.

8. Trim the covers removed on **step 1** as shown on **Img. 7**



9. Install the covers with the original hardware. (Img. 8 y 9)



- 10. Install the side steps using the "U" brackets that came with the side steps, (6) 5/16" x 1" bolts and (6) 5/16" flat and lock washers.
- 11. Align side steps and then tighten all nuts and bolts.