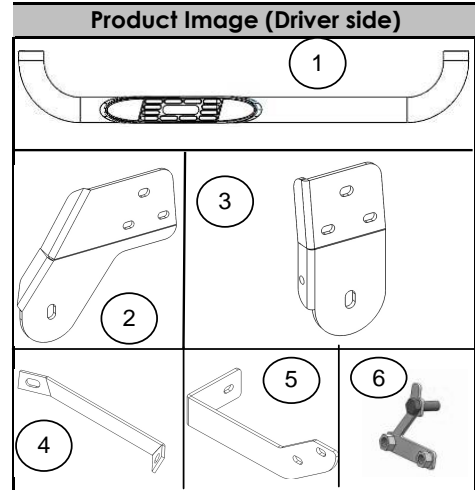


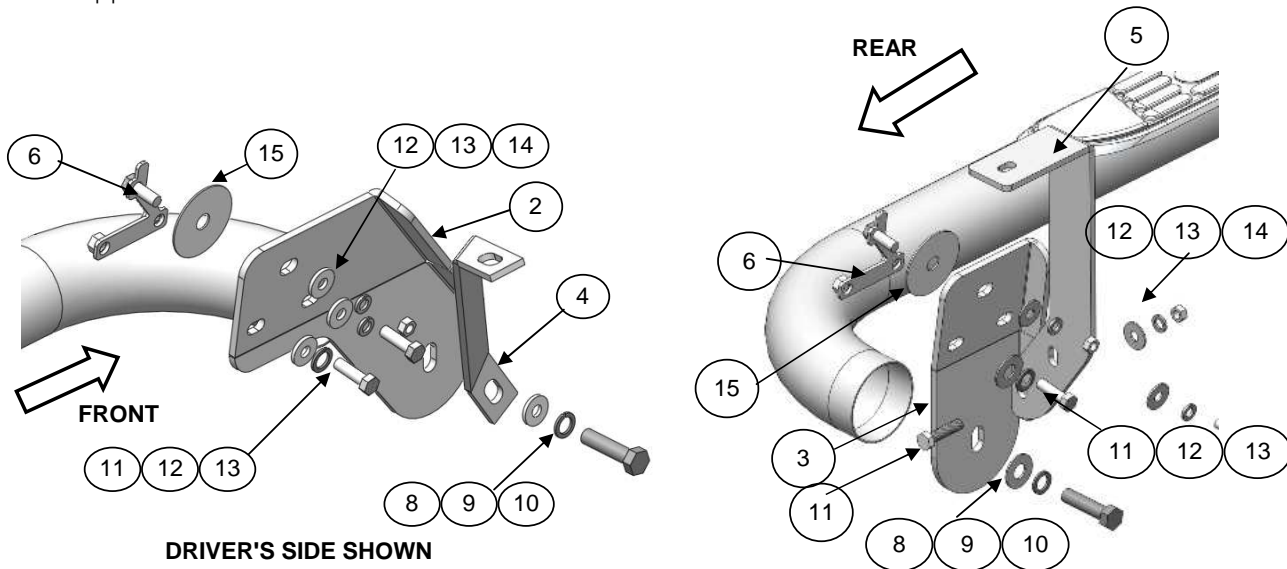
Parts List				
Item	Qty.	Code	Description	Max. Torque
1	1		Side bar set	
1 BRK-37605 Brackets kit includes:				
2	1		Front mounting brackets set	
3	1		Rear mounting brackets set	
4	1		Front auxiliary mounting brackets set	
5	1		Rear auxiliary mounting brackets set	
6	4		"T" Plate	30 Lb. Ft
7	4		3/8" "T" Bolt	30 Lb. Ft
1 KTE-37020 Hardware kit includes:				
8	2		1/2 x 2" Hex head bolt zinc plated	75 Lb. Ft
9	2		1/2" Flat washer zinc plated	
10	2		1/2" Lock washer zinc plated	
11	20		3/8 x 1 1/4" hex head bolt zinc plate	30 Lb. Ft
12	30		3/8" lock washer zinc plated	
13	30		3/8" flat washer zinc plated	
14	14		3/8" hex nut zinc plated	30 Lb. Ft
15	10		Vynil gaskets	

Required Tools (Not included)	
Qty.	Description
1	9/16" Socket / wrench
1	3/4" Socket / wrench
1	Ratchet
1	Ratchet extension



Instructions

- Before beginning the installation, please read all directions carefully and verify that all necessary hardware is accounted for. If any parts are missing, stop the installation and contact your distributor immediately.
- To maintain and care this product keep it clean and do not use abrasive cleaners or polish waxes. We recommend to use only non-abrasive automotive wax such as pure carnauba to avoid scratches and rust.
- The approximate installation time is **40 min**

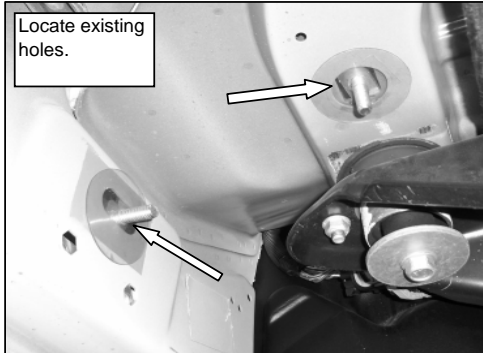


- To install front and rear mounting brackets locate in the rocker panel the holes covered in tape and remove the tape. Place (1) vinyl gasket to the bolt of the "T" plate, then insert into the exposed hole. **See picture 1 & 4.** **NOTE:** It is important to place vinyl gaskets to the bolts to prevent the "T" plate from falling into the rocker panel.

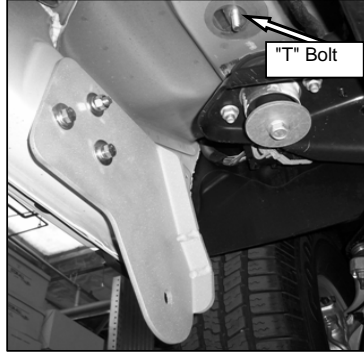
5. Place (1) front mounting bracket, attach it to the bolt of "T" plate previously placed using: (1) 3/8" flat and lock washers and 3/8" hex nut. Secure to the nuts of "T" plate using (2) 3/8 x 1 1/4" hex head bolt, (2) 3/8" flat and lock washers. See Picture 2. Leave loose. Repeat the procedure to install rear mounting bracket.

6. To install auxiliary front mounting bracket, locate the existing hole under the frame and then place (1) 3/8" "T" bolt with a vinyl gasket. Place auxiliary front mounting bracket and secure it using (1) 3/8" flat and lock washers and (1) 3/8" hex nut. **See picture 2.** Leave loose.

PICTURE 1



PICTURE 2



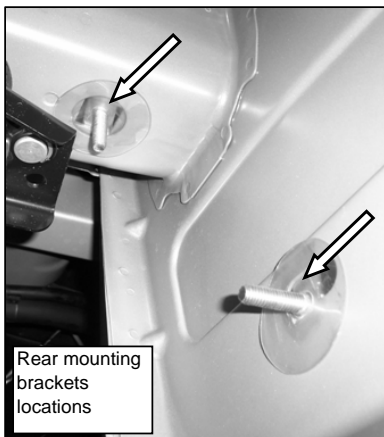
PICTURE 3



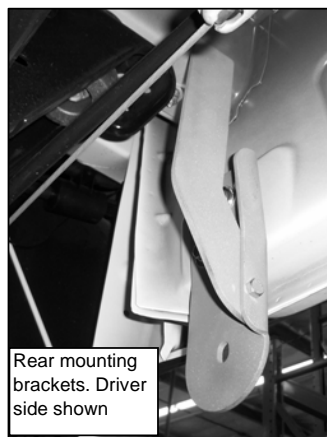
7. To install auxiliary rear mounting bracket, locate existing square hole in the underside of the body See Picture 4. Insert (1) 3/8" "T" bolt with a vinyl gasket, then place rear auxiliary mounting bracket and secure it to the bolt previously placed using (1) 3/8" flat and lock washers and 3/8" hex nut. Secure the other end to the rear mounting bracket using (1) 3/8 x 1 1/4" hex head bolt, (1) 3/8" flat and lock washers and (1) 3/8" hex nut. Leave loose. Picture 5.

8. Place side bar to the front mounting brackets and secure it using (1) 1/2 x 2" hex head bolt, and (1) 1/2" flat and lock washers. **NOTE:** Using same 1/2" bolt secure the front mounting bracket and auxiliary front mounting bracket to side bar. Then bolt the rear mounting bracket to the sidebar. Leave loose.

PICTURE 4



PICTURE 5



9. Align the sidebar to the vehicle and tighten all hardware.

10. Repeat for the other side of vehicle.