

# INSTALLATION GUIDE

**AMP**  
RESEARCH®

**Power Step**  
MADE IN USA™

**XL**

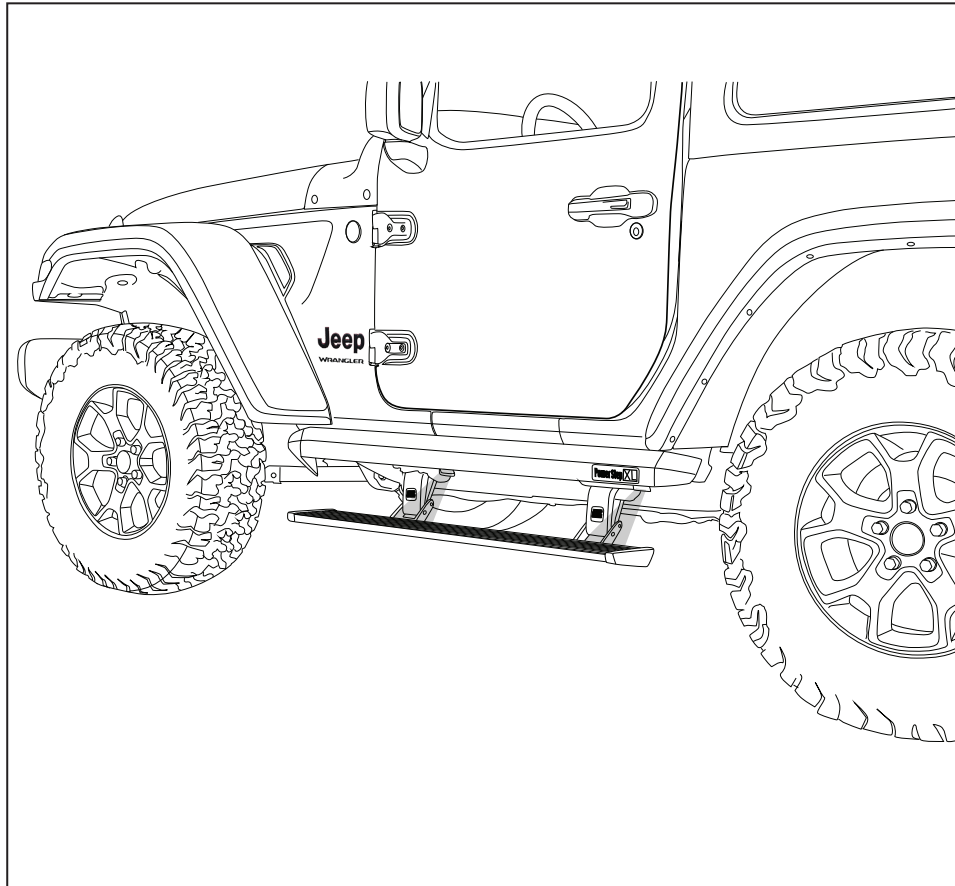
## APPLICATION

Jeep Wrangler JL 2Dr

2018 - 2024

## AMP Part #

77133-01A



## INSTALLATION TIME

**3-5 Hours**

Professional installation recommended

## SKILL LEVEL



4= Experienced

## TOOLS REQUIRED

- Safety goggles
- Measuring tape
- 10 mm socket
- 13 mm socket
- 1/2" socket
- Ratchet wrench and extension
- Wire crimpers
- Wire stripper / cutter
- 3/16" hex key wrench ( allen wrench)
- 4mm hex key wrench ( allen wrench )
- Electrical tape
- Weather proof caulking (silicone sealer)
- Silicone spray
- Drill
- Drill bit 3/16"

## WARRANTY

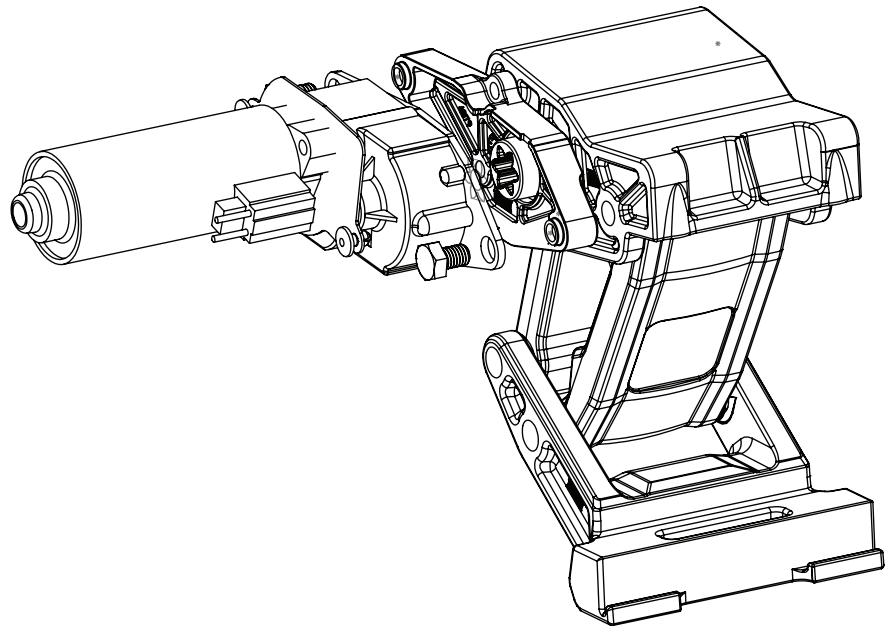
**5-Year Limited Warranty**

AMP RESEARCH TECH SUPPORT 1-888-983-2204 (Press 2) Monday - Friday, 7:00 AM - 5:00 PM PST

Invented, engineered and manufactured exclusively by AMP Research in the USA. May be covered by one OR MORE of the following patents: 6,641,158; 6,830,257; 6,834,875; 6,938,909; 7,055,839; 7,380,807; 7,413,204; 7,398,985; 7,584,975; 7,566,064; 7,487,986; 8,157,277; 8,408,571; 9,302,626; 9,561,751; 10,053,017; CA2463717 ©2012 AMP Research. All rights reserved. Printed in USA.

EXPLODED VIEW

- Motor
- Hex Head Bolt



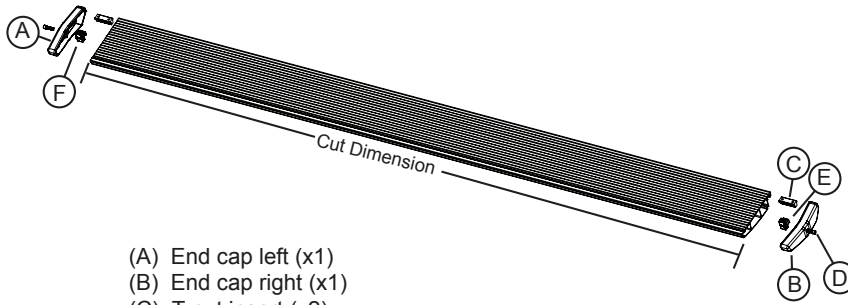
**CAUTION: HANDLE WITH CARE.**

To ensure our customers receive all components with full integrity, we pack the motors separate from their linkage assemblies. This requires that the installer position and fasten the motor before continuing with the install. Please follow the instructions below and handle the assembly carefully.

CAUTION: Dropping the assembly or any excessive impact MAY cause damage to the motor.

Instructions:

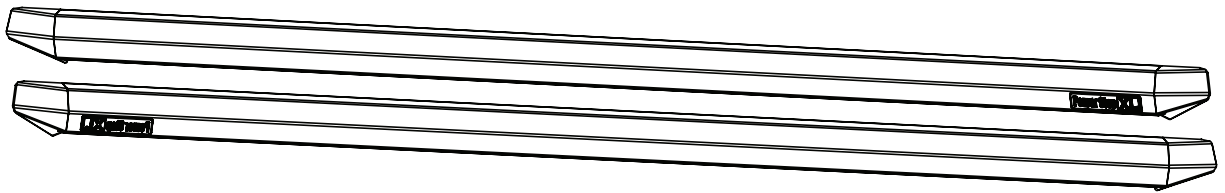
1. Position the gear cover in place as shown if not already in place.
2. Seat motor into position on the three mounting bosses. This may require an adjustment of the gear by moving the swing arms.
3. After seating into place, fasten the motor with the three motor mount screws with 4mm Hex Head. Tighten screws to 36 in-lbs (4N-m). **Do not over torque.**



- (A) End cap left (x1)
- (B) End cap right (x1)
- (C) T-nut insert (x2)
- (D) Socket cap screw (x2)
- (E) End cap wedge right (x1)
- (F) End cap wedge left (x1)

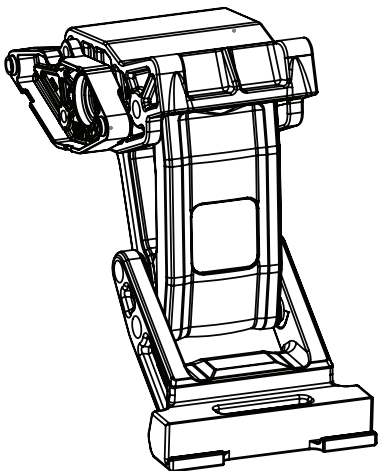
1 x2

Running board assembly



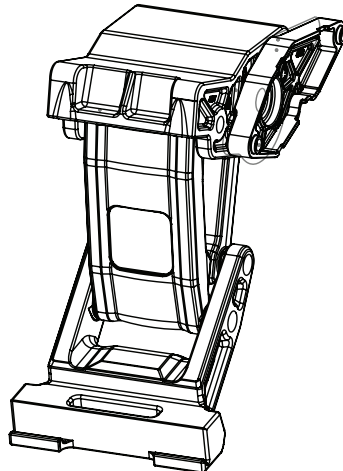
2 x2

Rail Assembly



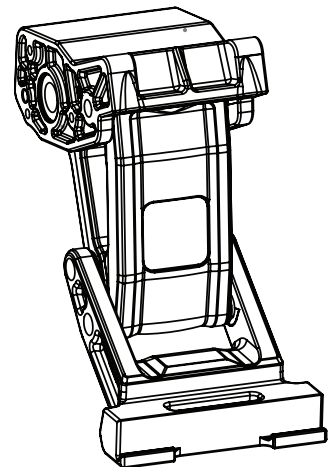
3

Motor Linkage assembly  
Driver



4

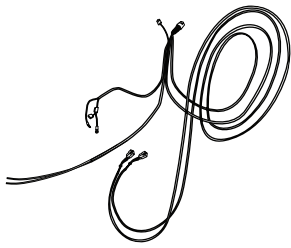
Motor Linkage assembly  
Passenger



5 x2

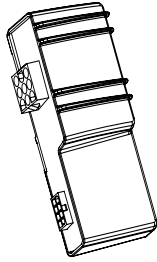
Idler Linkage assembly

AMP RESEARCH POWERSTEP™ – Jeep Wrangler JL



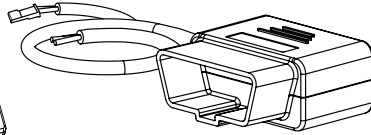
6

Wire harness



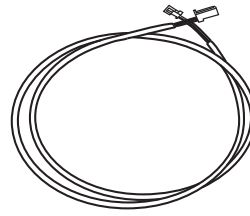
7

Controller STA



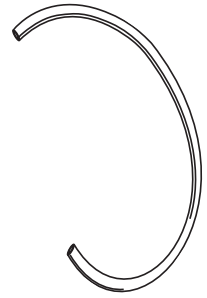
8

OBD Module



9

OBD Module extension



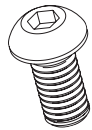
10

Tube (Installation Tool)



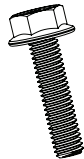
11 x2

Posi-Lock®



12 x2

M8 Button Head Bolt



13 x6

M6 Flange Bolt



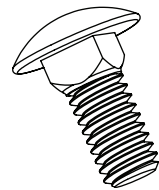
14 x4

5/16 Flange Bolt



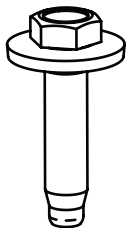
15 x8

Socket Cap Screw



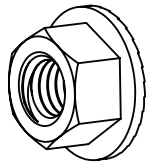
16 x12

5/16-18 Carriage Bolt



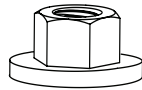
17 x12

M8 Hex Bolt w Conical washer



18 x16

5/16-18 Flange Nut



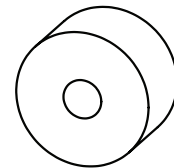
19 x2

Nut with Conical Washer



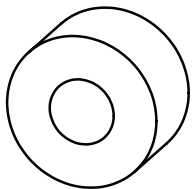
20 x2

Washer



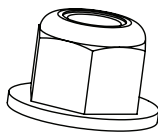
21 x4

Upper Mount Spacer



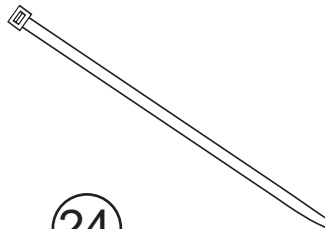
22 x2

Mount Spacer



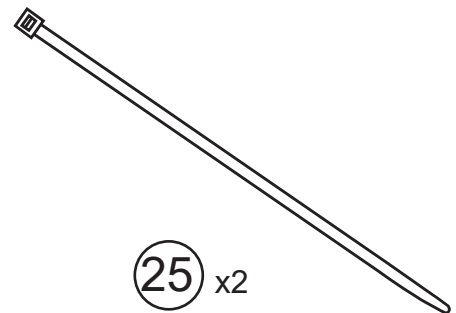
23 x2

M6 Nut



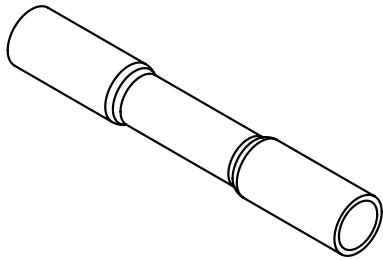
24 x20

Cable tie (7")

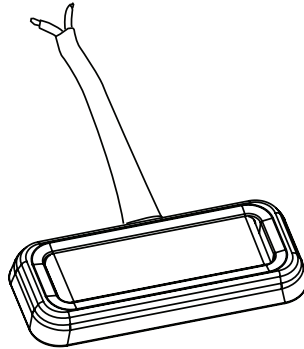


25 x2

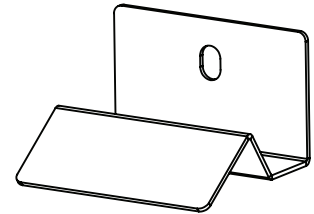
Cable tie (11")



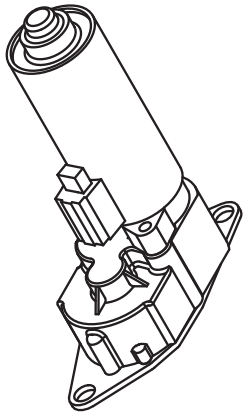
26 x8  
Butt Connector



27 x4  
LED Lamp



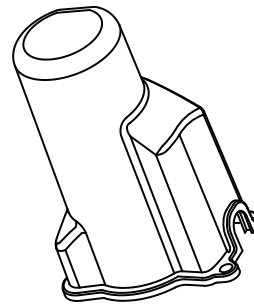
28 x4  
LED Light Bracket



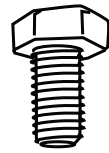
29 x2  
CRH Motor



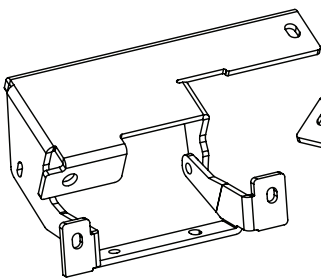
30 x6  
Cinch Fastener



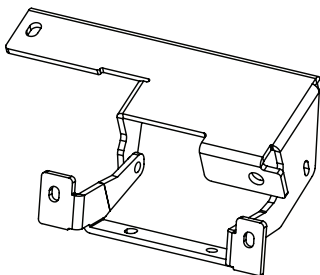
31 x2  
Motor Cover



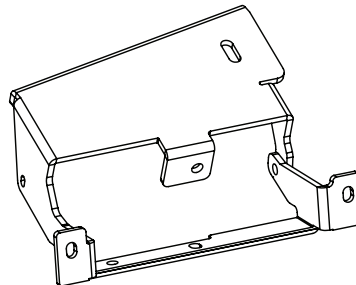
32 x4  
M8 Head Hex Bolt



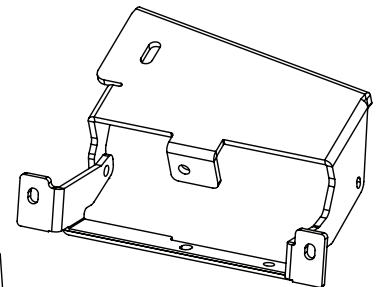
33  
Passenger Front  
mounting bracket



34  
Driver Front  
mounting bracket

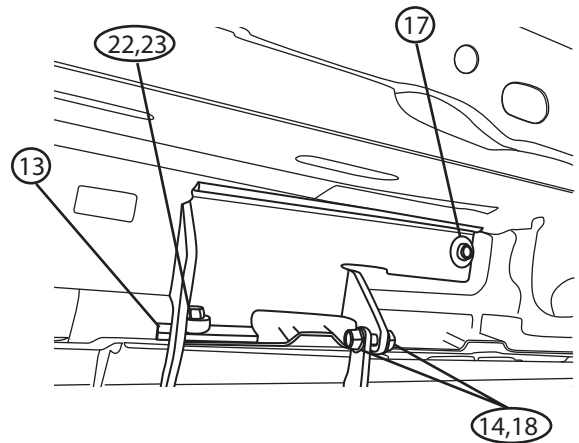


35  
Passenger Rear  
mounting bracket



36  
Driver Rear  
mounting bracket

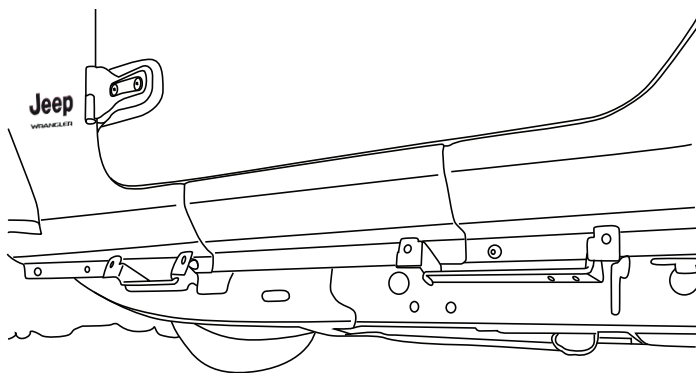
**Front bracket Assembly:** Use Driver side front bracket (34). Remove factory fender bolt using a 10mm socket or wrench. Next set bracket into position slide bracket over existing rivet nut on pinch weld. Insert provided M6 Flange bolt (13) and tighten to 8 ft-lbs. Use provided spacer (22) and M6 Nylock nut (23) assemble over rivet nut and finger tighten. Use provided M8 Conical washer bolt (17) and finger tighten. Tighten M6 nut and M8 Conical washer bolt simultaneously. Torque nut to 8 ft-lbs and conical washer bolt to 16 ft-lbs. Assemble Flange Bolt (14) with nut (18) and torque to 16 ft-lbs.



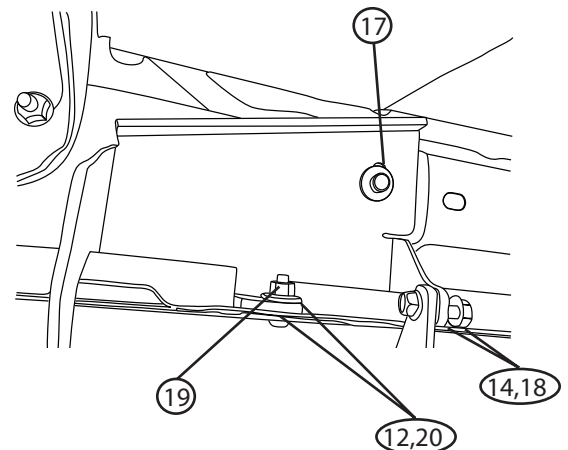
**Driver Front Bracket**

1

**Rear bracket Assembly:** Use Driver side rear bracket (36). Use provided button head bolt(12) and washer(20) with captive washer nut(19) on pinch weld. Assemble hardware loosely. Next use provided captive washer bolt (17) to attach bracket to underside of body. Torque to 16 ft-lbs. Assemble Flange Bolt (14) with nut (18) and torque to 16 ft-lbs.



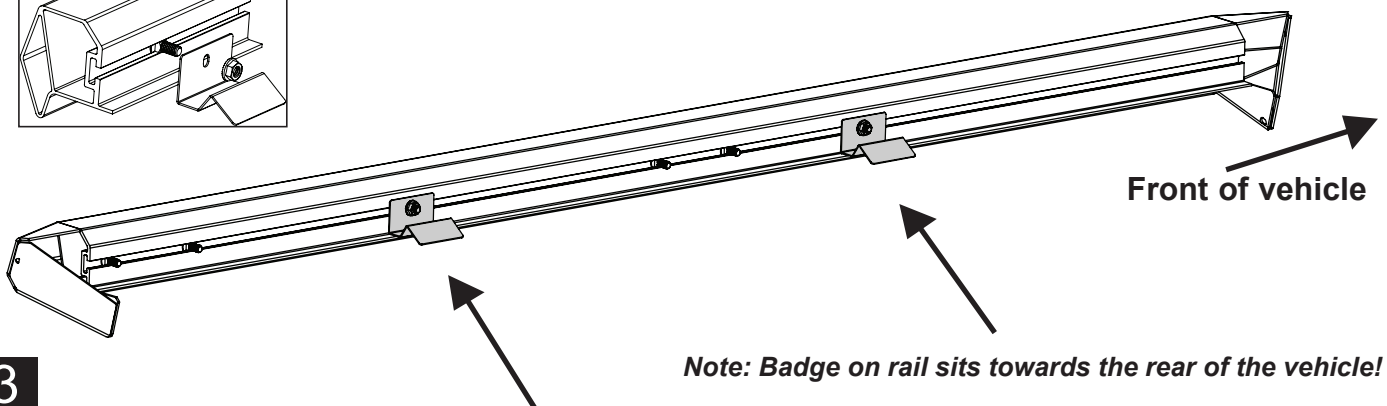
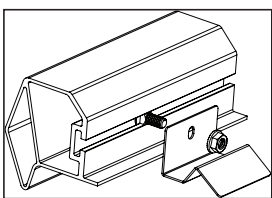
**Brackets assembled Driver Side**



**Driver Rear Bracket**

2

Slide 6 carriage bolts (16) into rail pocket of driver side rail. Add Light Bracket (8) to the 1st and 4th bolt counting from the front side. Insert Flange Nut (18) onto bracket tab to attach light brackets into position shown. Leave loose to allow for adjustment.

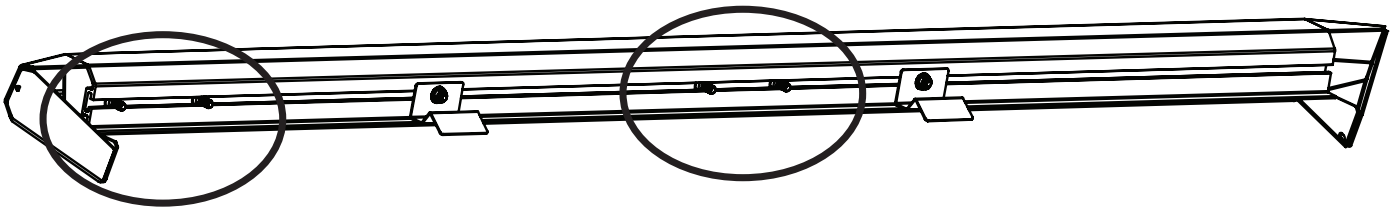


3

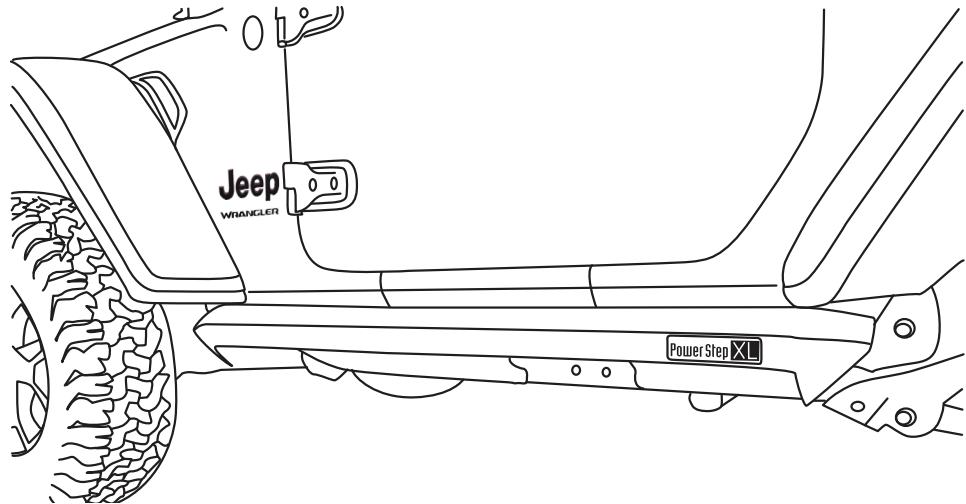
Adjust bolts and slide over brackets. Use supplied flange nuts and attach rail to brackets.

Back of vehicle

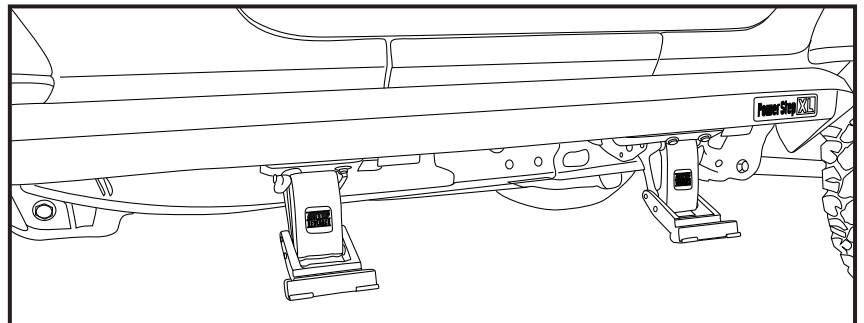
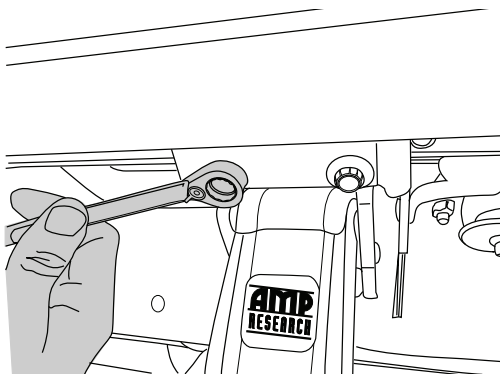
Front of vehicle



**4** Center rail between body rocker and torque 4 flange nuts to 16 ft-lbs. Assemble Flange bolt (14) with nut (18) thru support tab on bracket. Torque to 16ft-lbs.

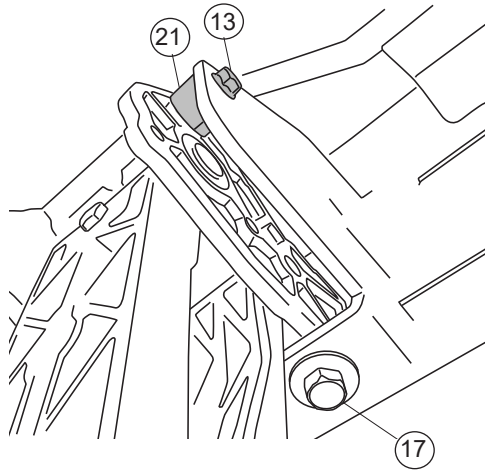


**5** Mount front Idler linkage onto driver side. Thread supplied bolts (17) into linkage. Repeat step for Rear Drive linkage. Do not tighten.



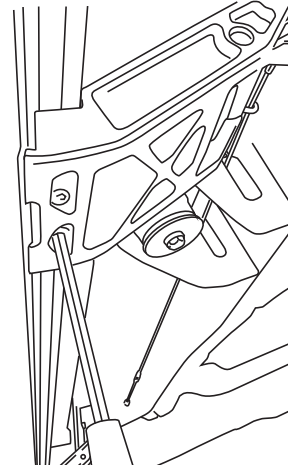
**6**

Install provided spacer (21) and M6 bolt (13) into upper mount as shown on both the drive and idler linkages. Do not tighten.



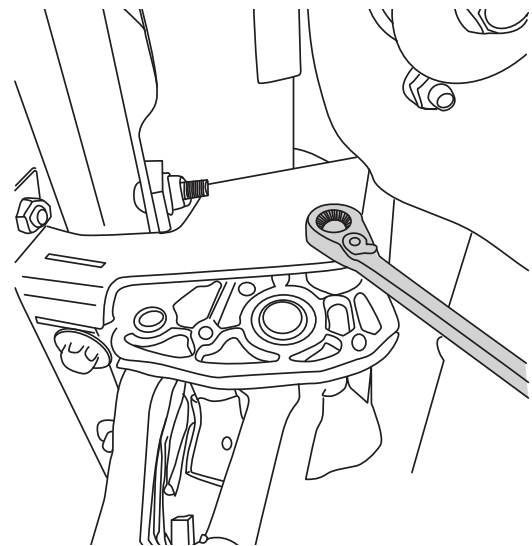
7

Slide mounting T-nut into position. Center board in rail pocket. Tighten fasteners to 10 ft-lb



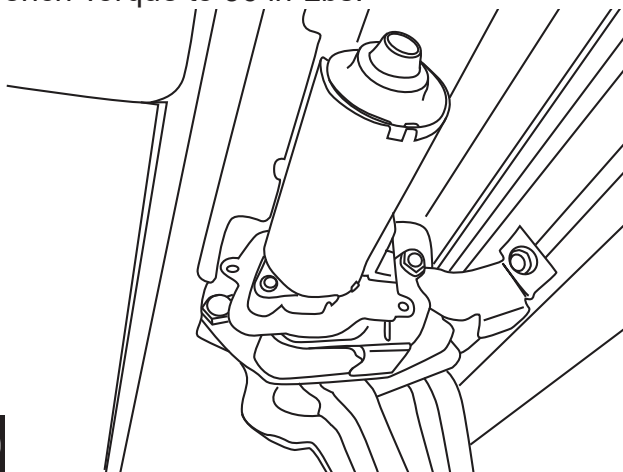
8

Using a 13mm socket Torque linkage bolts 4x (17) from step 3 to 16 ft-lbs. Next, use a 10mm socket, torque linkage spacer bolt 2x (13) from step 6 to 8 ft-lbs. Once linkages are tight cycle board to verify steps deploy under own weight.



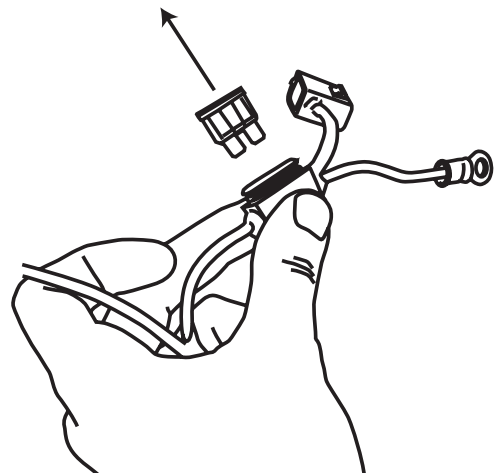
9

Attach motor (29) to linkage. Using a 13mm wrench Torque to 36 in-Lbs.



10

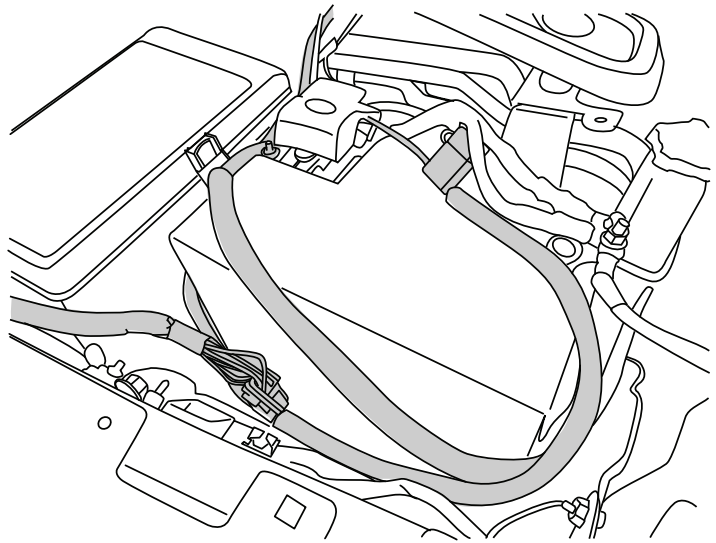
Remove fuse from Power Step Wire Harness.



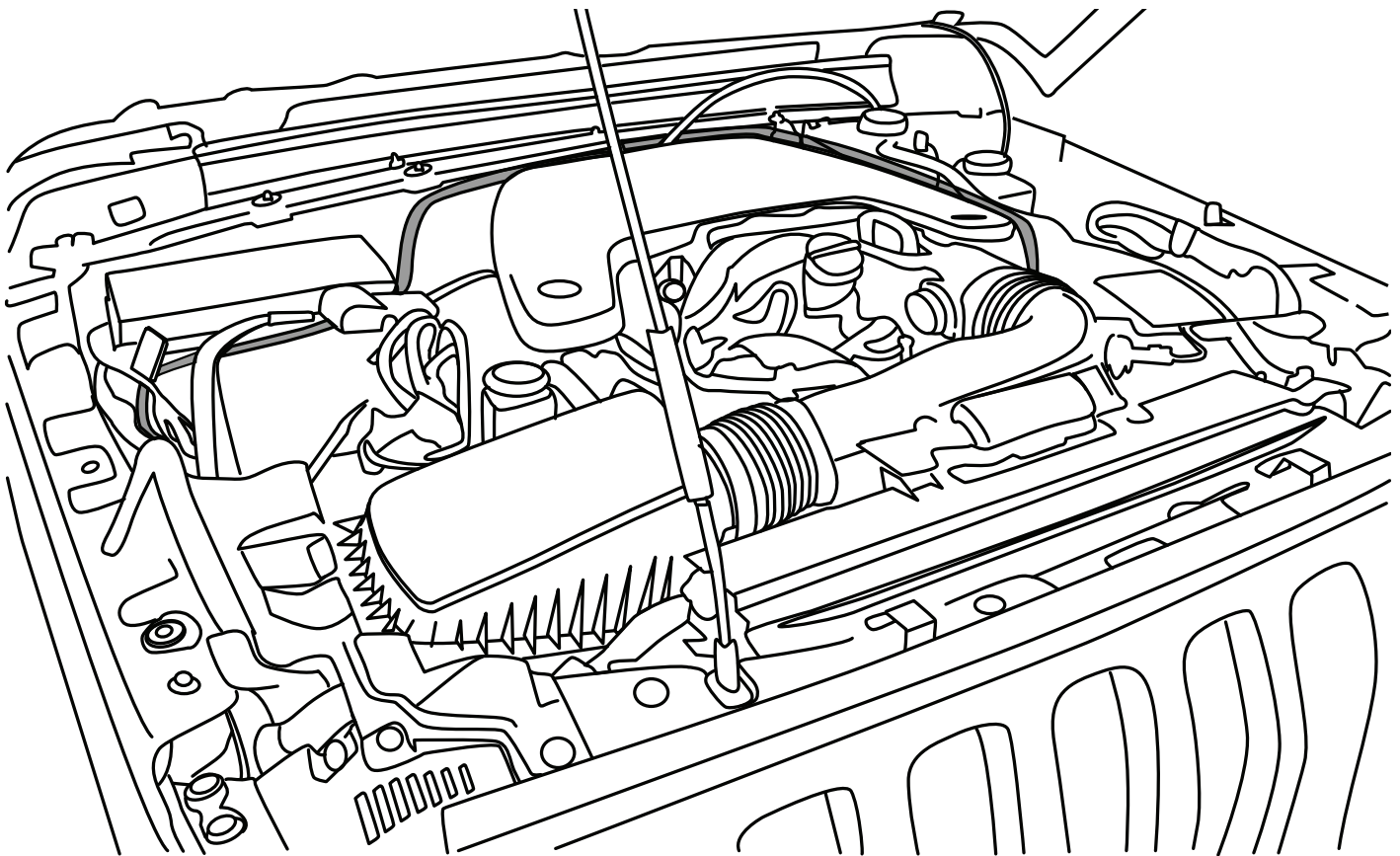
11



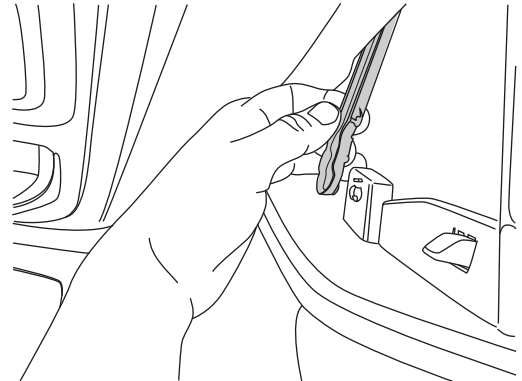
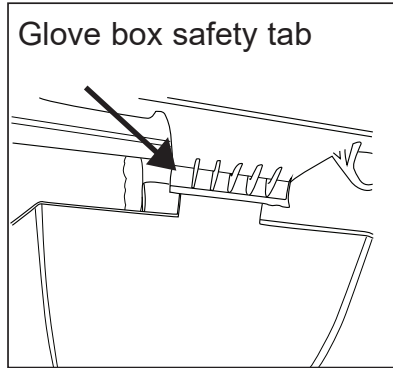
Prepare large tie-wraps for mounting Power Step Controller. Loosely loop tie-wraps around large bundle of wires behind battery in engine compartment. Insert controller into tie-wrap loops and cinch down securely. The tie-wraps should cinch down into channels on controller surface. Connect power leads from Controller, Red to positive battery terminal and Black to the vehicle body ground as shown.

**12**

Route the two Wire Harness legs down over the wheel wells toward Motor Linkages, long leg across to the driver side. Secure harness with tie wraps.

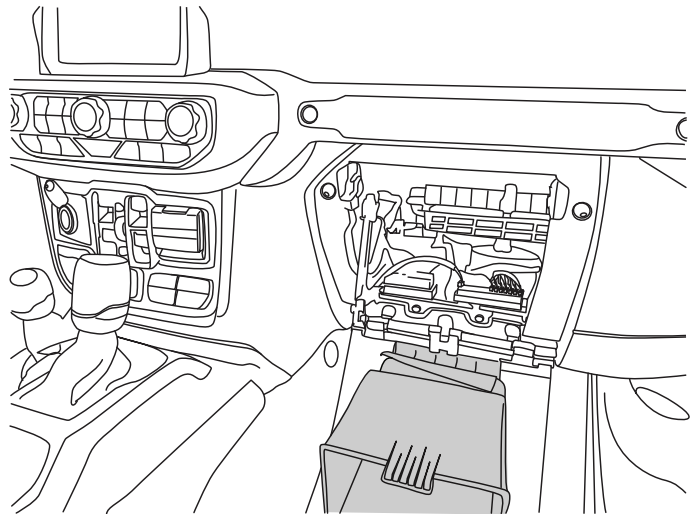
**13**

Press and release glove box safety tab to fully open and remove glove box, next, release glove box dampener located on the left side.



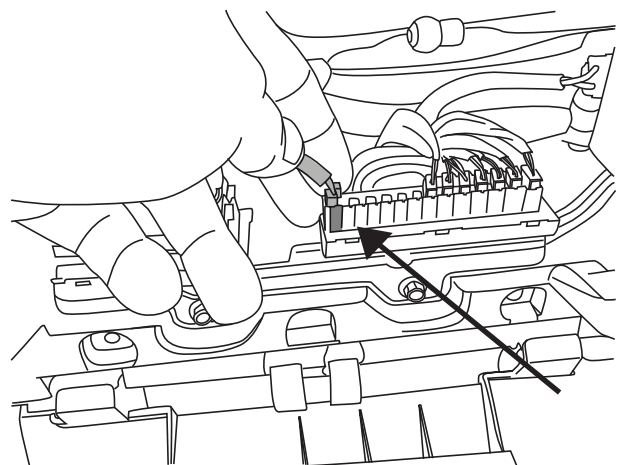
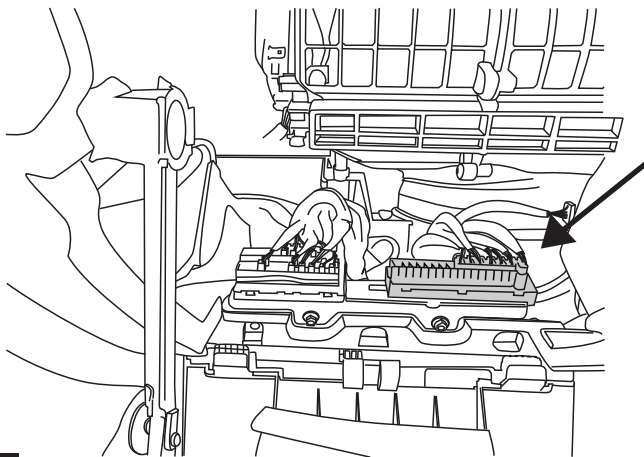
14

Carefully leave glove box hanging to expose plugs behind it.



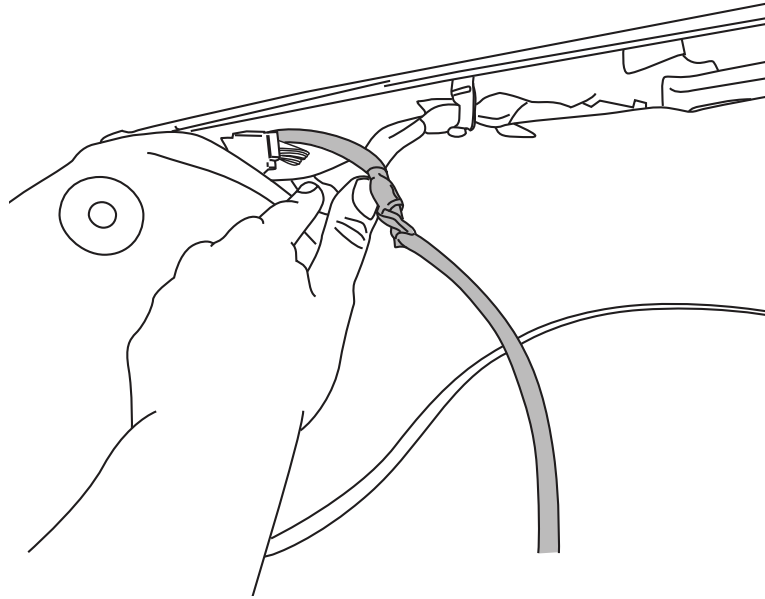
15

Locate white block (on right side) and plug the 2 pin connector from the OBD module extension (9) into that port.



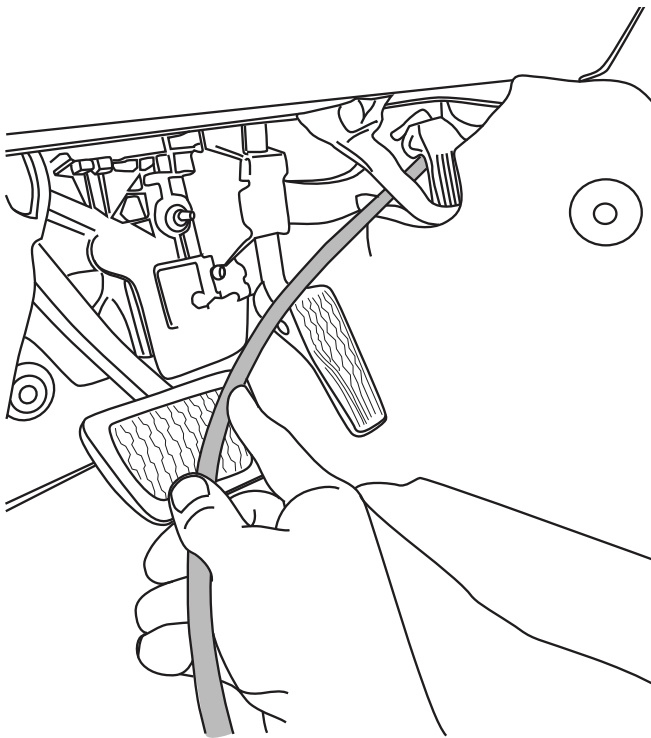
16

Pull back carpet on passenger side on the top side of middle console and then use provided Tube (10) to route OBD II Extension (9) behind middle console. Tape open end of extension to the tube and push the tube through middle console.



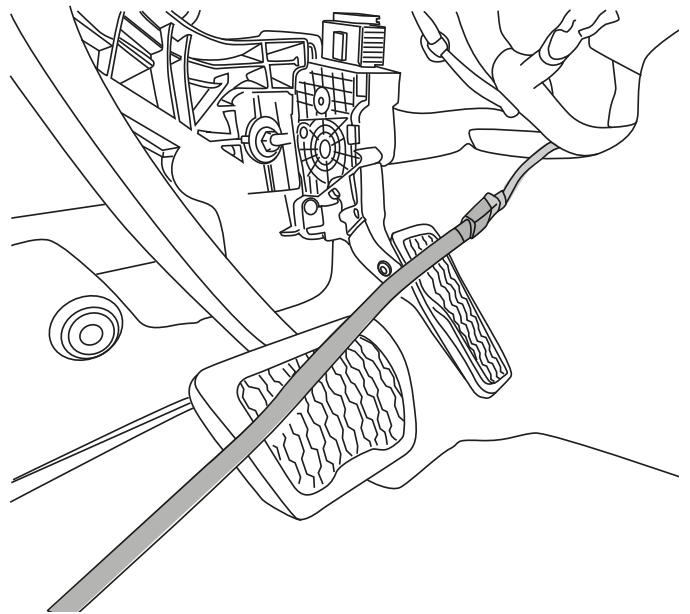
17

From driver side, pull tube (10) that was pushed through from passenger side.



18

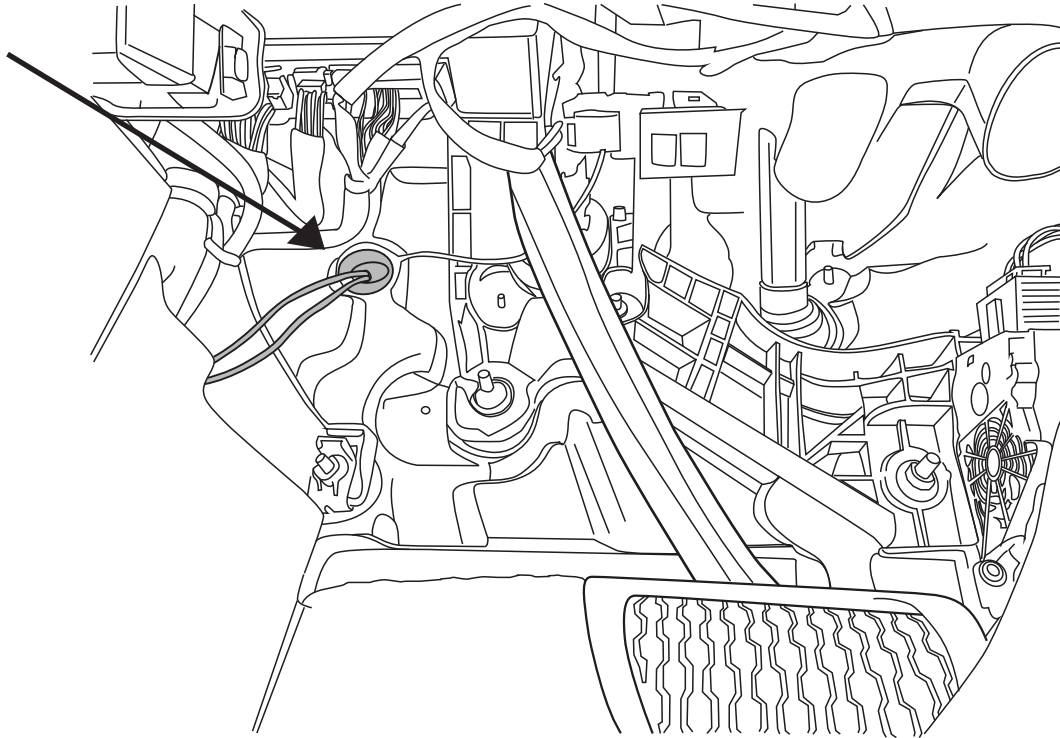
Remove OBD II Extension (9) from tube (10) and plug wire (9) to OBD module (8) wire.



19

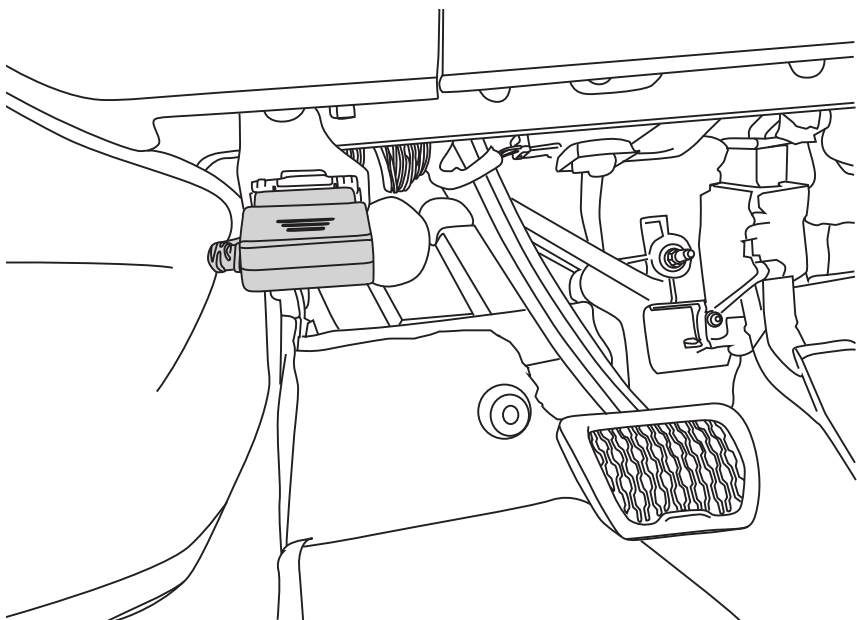
Route trigger wires through firewall. Locate round plastic plug on firewall to the left of the brake assembly. Drill small hole using a 3/16 drill bit. Route trigger wires (6) through firewall. Use supplied posi-lock® (11) to connect wires to OBD Module (8).

Apply silicone to seal off firewall.



20

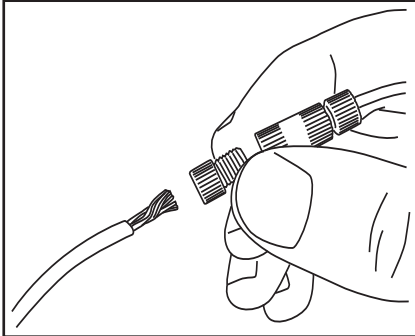
Use cable ties to secure all wires in place. Plug in OBD Module.



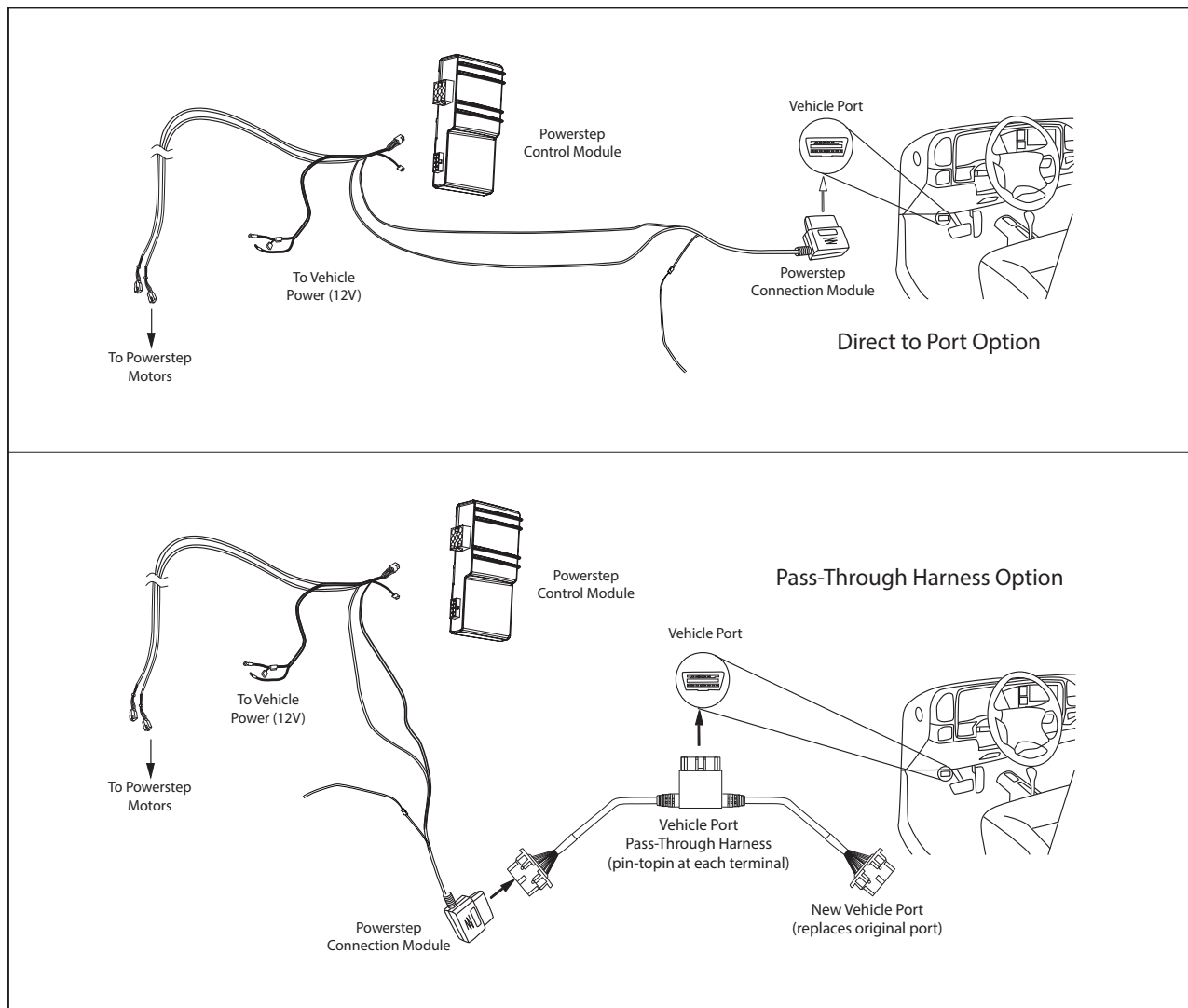
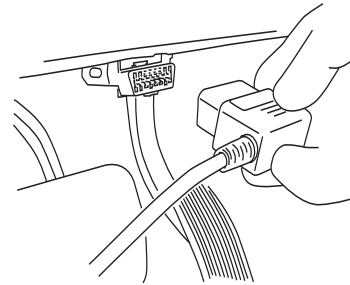
21

**OBD II install:** Use Supplied Posi-Lock® connectors to attach the Plug and Play Module to the Harness. Attach matching colors on the harness to the wires on the module. Plug in module to OBD II port on the vehicle. Secure harness with supplied tie wraps.

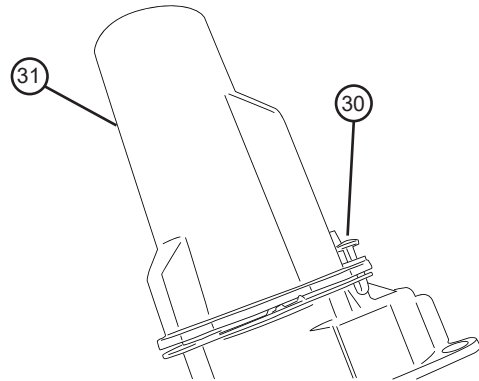
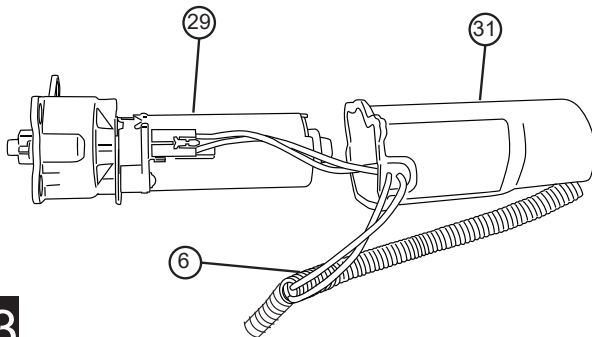
**Note:** If the OBD II pass thru harness (76404-01A) was purchased see install sheet supplied in packaging. The pass through harness allows for an open port for other accessories. See below for a brief description.



OBD II Connector located below steering column.

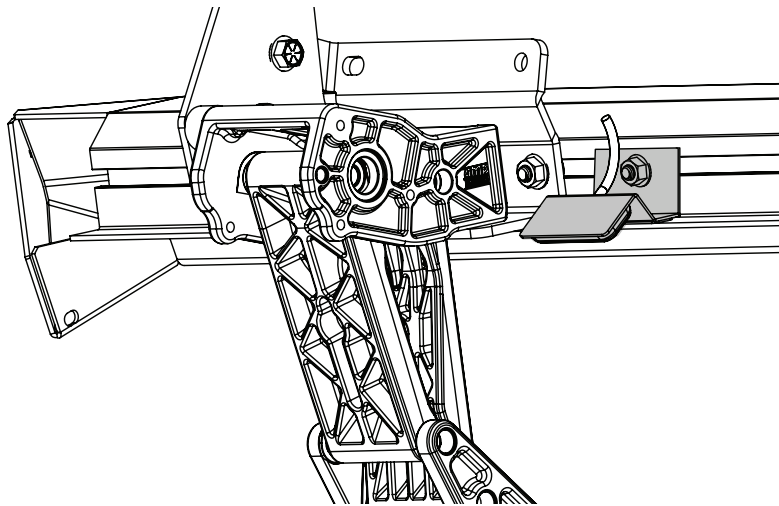
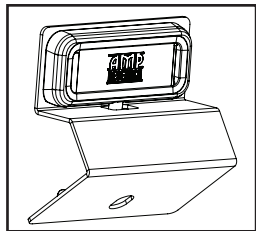


On driver side, run Wire Harness leg down and along underside of the vehicle floor and frame to front Drive Linkage. Connect harness to motor and secure harness with tie wraps. Route remainder of wire harness towards rear linkage assembly for LED lights. Repeat step on passenger side.



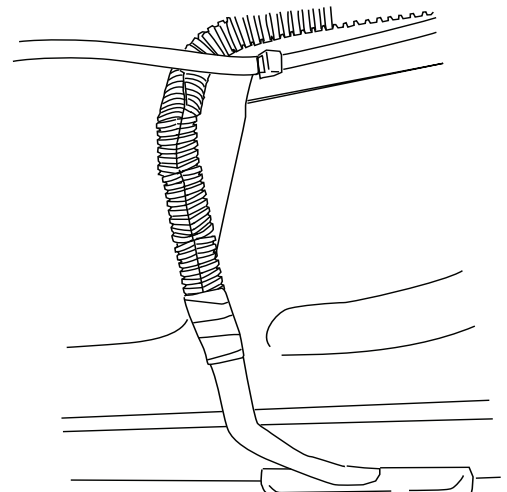
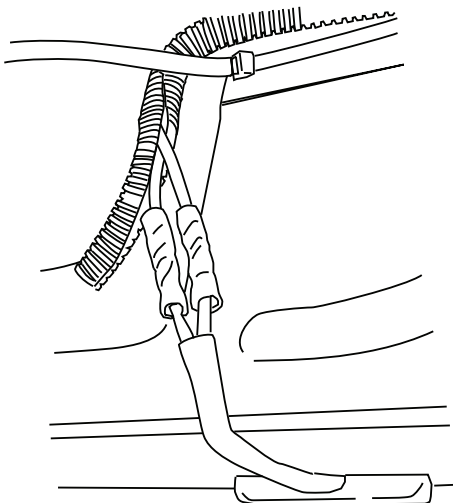
23

Affix LED lamp (27) to Light bracket (28) on rail. Slide bracket into desired position and tighten using 5/32" Allen key.



24

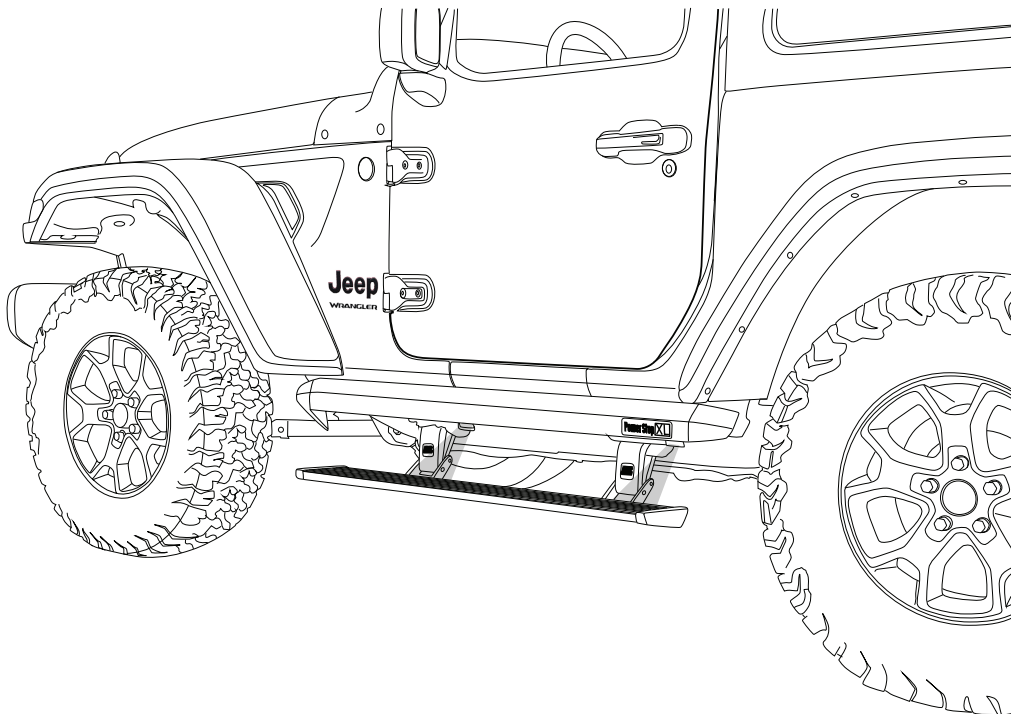
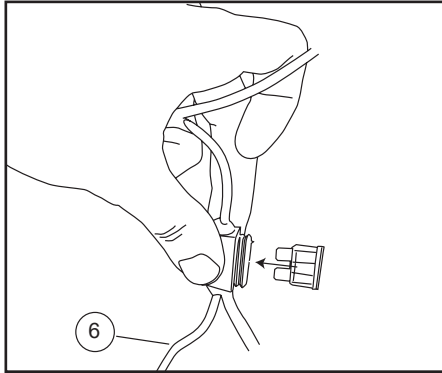
Using supplied butt connectors (26), connect the lamp wires. Red to Red, Black to Black. Once Crimped use heat gun to shrink tube. Close and wrap conduit with electrical tape. Secure all loose wires with cable ties. Pull lamp wires upward to avoid any wire snagging.



25

Reinstall Fuse from Powerstep Wire Harness.

Check that all doors activate the Power Step and the LED Lights work when doors open and close. Reinstall any remaining trim panels.



### FINAL SYSTEM CHECK

Check that all doors activate the PowerStep and the LED lights work when doors open and close.

**NORMAL OPERATION:** When the doors open, PowerStep automatically deploys from under the vehicle. When the doors are closed, PowerStep will automatically return to the stowed/retracted position. **Note that there is a 2-second delay before the PowerStep returns to the stowed/retracted position.**

**CORRECT OPERATION OF LIGHTS:** All four lamps will illuminate upon opening any door of vehicle. Lamps will stay on until restowing of both Power Steps or until 5 minutes has expired with the doors open. When the lights timeout after 5 minutes, they can be reilluminated by closing and opening any door of vehicle.



# PowerStep™

AMERICAN DESIGNED, ENGINEERED AND MANUFACTURED.

Thank you for your recent AMP Research Purchase.

**REGISTER YOUR PRODUCT TODAY FOR  
FASTER SERVICE & PRODUCT UPDATES**

Please visit:

**[www.amp-research.com/productregistration](http://www.amp-research.com/productregistration)**  
or scan the QR Code



Product Registration Benefits:

- Ensure we have your purchase receipt and product info in our system which is required for warranty
- Faster and easier access to customer service and tech support in the unlikely event you need warranty or product support
- Registration helps us keep you up to date on product information and offers

To view other Amp Research products that may be offered for your vehicle.

**Please visit: [www.amp-research.com](http://www.amp-research.com)**

Rev 01.05.21





Congratulations on your purchase of the genuine AMP Research PowerStep! Here's what you should know...

**POWER-DEPLOYABLE RUNNING BOARDS OPERATION:** AMP Research PowerStep running boards automatically move when the doors are opened to assist entering and exiting the vehicle.



**Automatic power deploy:**

The running boards will extend down and out when the doors are opened.

**Automatic power stow:**

The running boards will return to the stowed position when the doors are closed. There will be a 2-second delay before the running boards move to the stowed position.

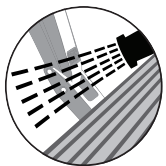
**Automatic stop:**

If an object is in the way of the moving running board, the running board will automatically stop. To reset, clear any obstruction, then simply open and close the door to resume normal operation.



**Manually set in the deployed (OUT) position for access to the roof:**

The running boards can be manually set in the deployed position by firmly holding the step down with your foot while at the same time closing the door. To resume normal operation, open and close the door.



**Maintenance:** In adverse conditions, debris such as mud, dirt, and salt may become trapped in the running board mechanism, possibly leading to unwanted noise. If this occurs, manually set the running boards to the deployed position and flush the front and rear hinge arms with a high-pressure car wash wand.

Avoid spraying the motors directly. After washing, apply silicone spray lubricant to the hinge pivot pins. Do not apply silicone, wax or protectants like Armor All® to the running board stepping surface.

Caution! Keep hands away when the running board is in motion.

### 5-YEAR LIMITED WARRANTY

AMP RESEARCH warrants this product to be free from defects in material and workmanship for FIVE (5) YEARS FROM DATE OF PURCHASE, provided there has been normal use and proper maintenance. This warranty applies to the original purchaser only. All remedies under this warranty are limited to the repair replacement of the product itself, or the repair or replacement of any component part thereof, found by the factory to be defective within the time period specified. The decision to repair or replace is wholly within the discretion of the manufacturer.

This warranty specifically excludes labor. If you have a warranty claim, first you must call our factory at the number below for instructions. You must retain proof of purchase and submit a copy with any items returned for warranty work. Upon completion of warranty work, if any, we will return the repaired or replaced item or items to you freight prepaid. Damage to our products caused by accidents, fire, vandalism, negligence, misinstallation, misuse, Acts of God, or by defective parts not manufactured by us, is not covered under this warranty.

ANY IMPLIED WARRANTIES OF MERCHANTABILITY AND/OR FITNESS FOR A PARTICULAR PURPOSE CREATED HEREBY ARE LIMITED IN DURATION TO THE SAME DURATION AND SCOPE AS THE EXPRESS WRITTEN WARRANTY. OUR COMPANY SHALL NOT BE LIABLE FOR ANY INCIDENTAL OR CONSEQUENTIAL DAMAGE.

Some states do not allow limitations on how long an implied warranty lasts, or the exclusion or limitation of incidental or consequential damages, so the above limitations or exclusions may not apply to you. This warranty gives you specific legal rights, and you may also have other rights that vary from state to state.

FOR WARRANTY ISSUES WITH THIS PRODUCT PLEASE CALL AMP RESEARCH TECH SUPPORT 1-888-983-2204

### WARNING

Be sure to read and precisely follow the provided instructions when installing this product. Failure to do so could place the vehicle occupants in a potentially dangerous situation. After installing or reinstalling, re-check to insure that the product is properly installed.



The material that your product is made from can be recycled. Please also consider recycling the packaging that your product came in.

