

### APPLICATION

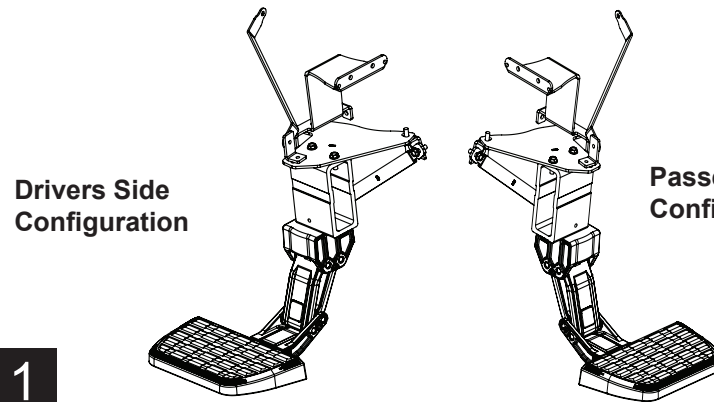
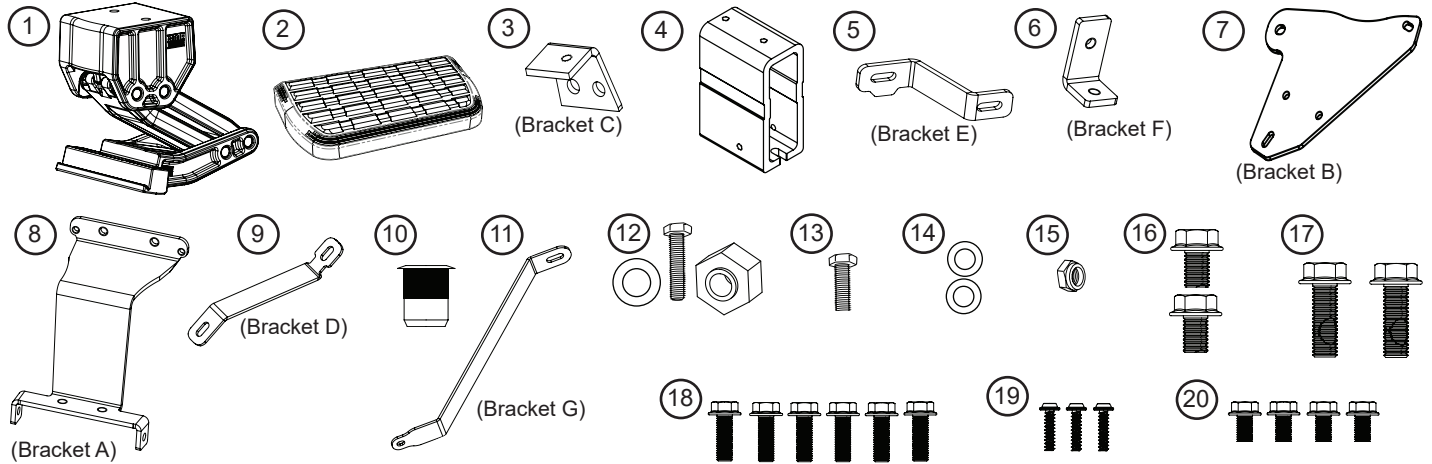
Toyota Tundra Double Cab/Regular Cab

### MODEL YEAR

2007-2020

### PART NUMBER

75409-01A

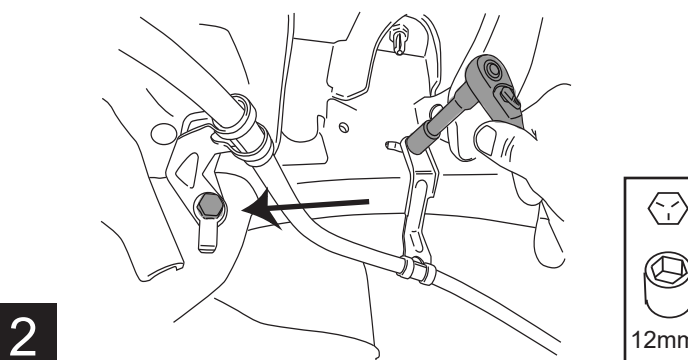


Drivers Side Configuration

Passenger Side Configuration

1

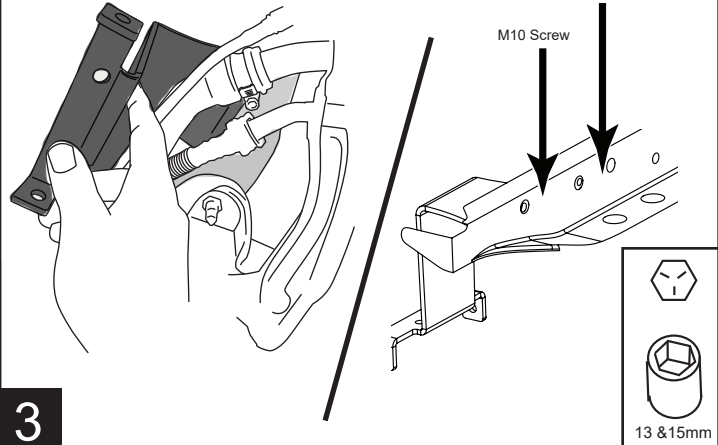
Using a 12mm socket or wrench loosen both brake cable brackets. **Note: Passenger side only has one bracket to remove.**



2

12mm

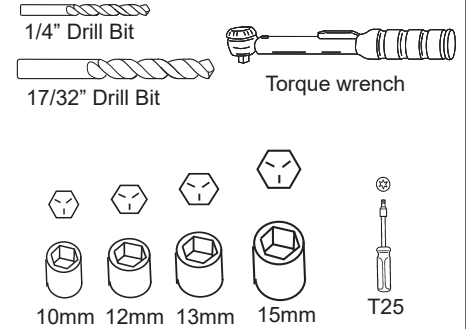
Bolt Bracket A up to bed support rib.



3

13 & 15mm

### Tools Needed

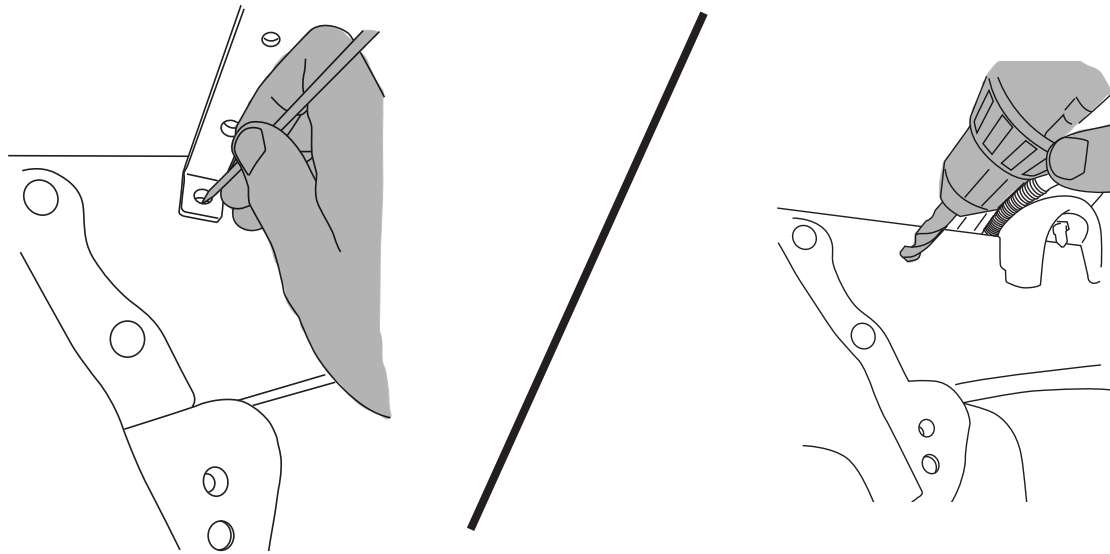


REALTRUCK TECH SUPPORT 1-888-983-2204 (Press 2) Monday - Friday, 8:00 AM - 5:00 PM EST

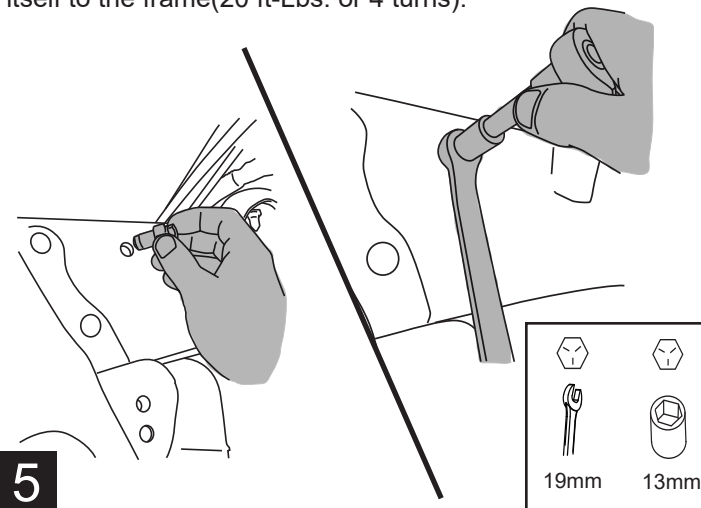
Designed and manufactured by AMP Research® • Made in Mexico  
 Patent Protected. Please see our product site for applicable patents. [www.realtruck.com/b/amp-research/](http://www.realtruck.com/b/amp-research/)  
 © 2024 AMP Research • Three-year limited warranty. • Professional installation is recommended.

Mark hole to be drilled in frame. Remove **Bracket A**. Center Punch hole, pre drill using an 1/8" drill. Drill to 17/32".

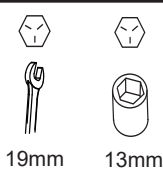
4



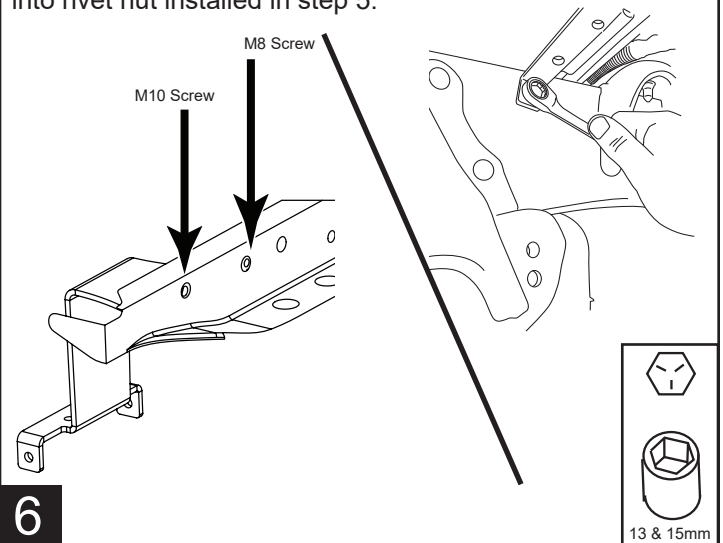
With Rivet Nut Tool held in place with 19mm wrench, tighten Hex Bolt until Rivet Nut deforms and secures itself to the frame (20 ft-Lbs. or 4 turns).



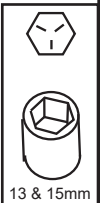
5



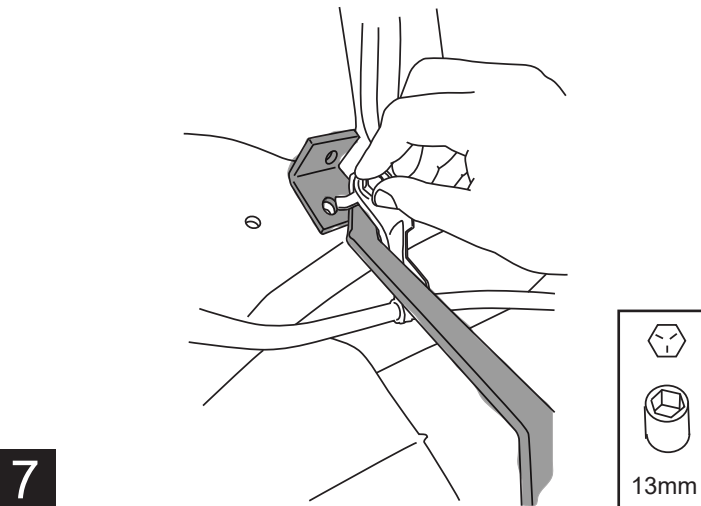
Reinstall **Bracket A** to bed support rib. Install provided bolt into rivet nut installed in step 5.



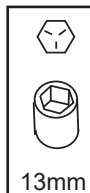
6



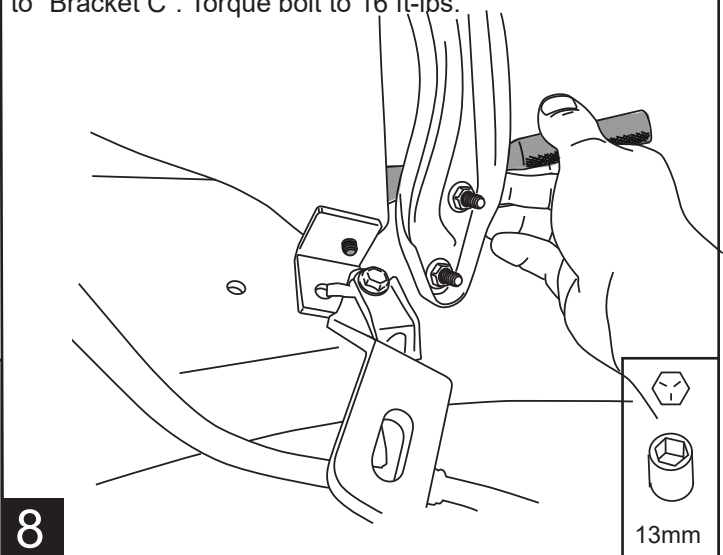
Using provided flange head bolt slide brake cable bracket onto bolt then **Bracket C** followed by **Bracket D**. Do not tighten bolt.



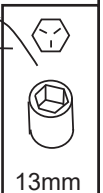
7



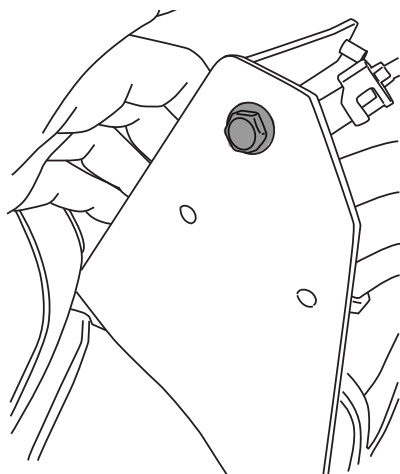
Using provided shorter flange head bolt tighten "Bracket B" to "Bracket C". Torque bolt to 16 ft-lbs.



8

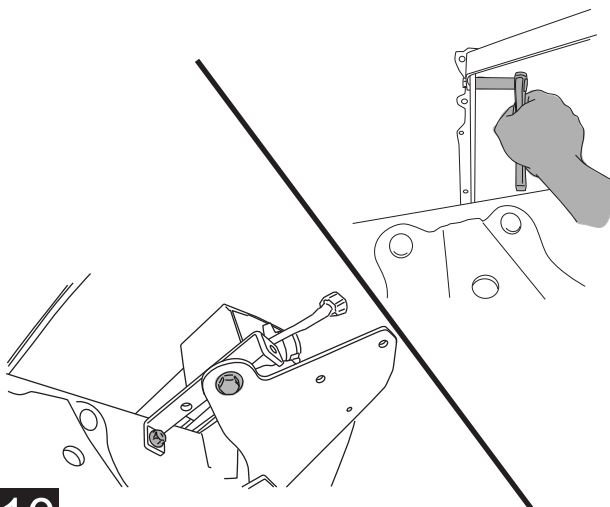


Use provided shorter flange head bolt and tighten **Bracket F** to **Bracket B**. Torque to 16 ft-lbs with 13mm socket. Using a 14mm socket or wrench torque body mount bolt from step 5.

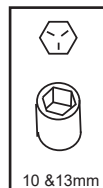


9

Install Bracket G onto Bracket F and use provided bolts, washer and nut to attach bracket to Front support rib.

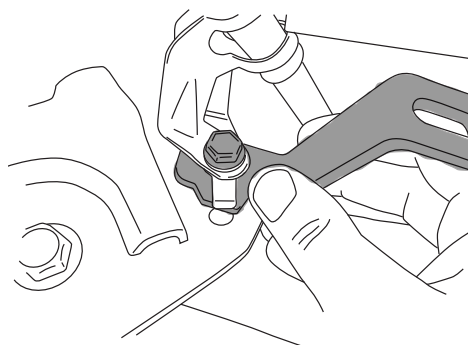


10

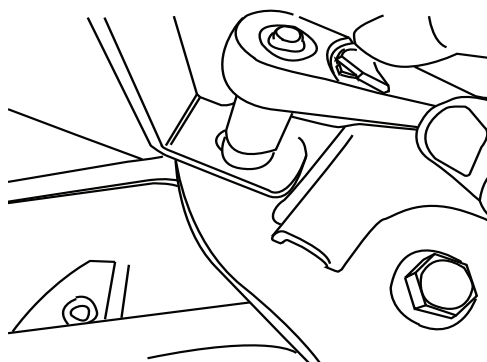


Using "Bracket E" and provided flange head bolt re attach brake cable bracket. Do not tighten.

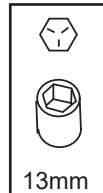
Driver Side



Passenger Side

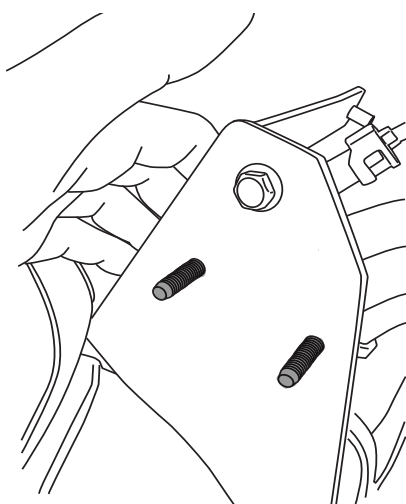


Note: Passenger side bracket will need supplied nut to tighten bracket into place. Use the upper hole. Do not tighten



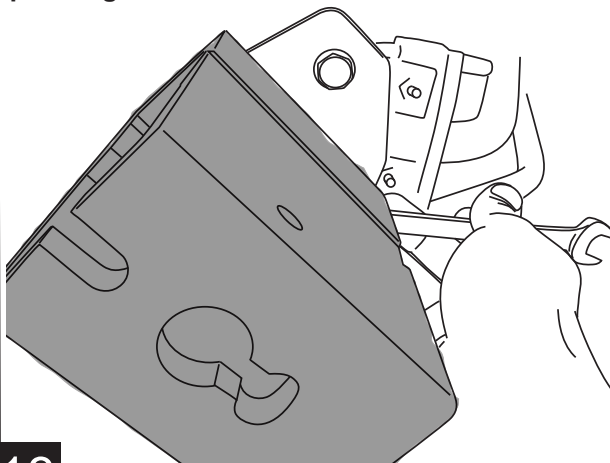
11

Set Flange bolts in through "Bracket B"

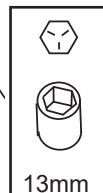


12

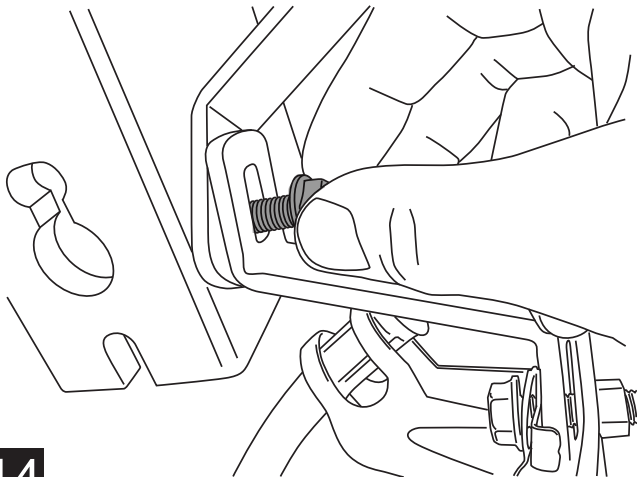
Set frame mount into position and tighten two bolts. Torque to 16 ft-lbs. **Note: See step 1 for orientation on passenger side.**



13

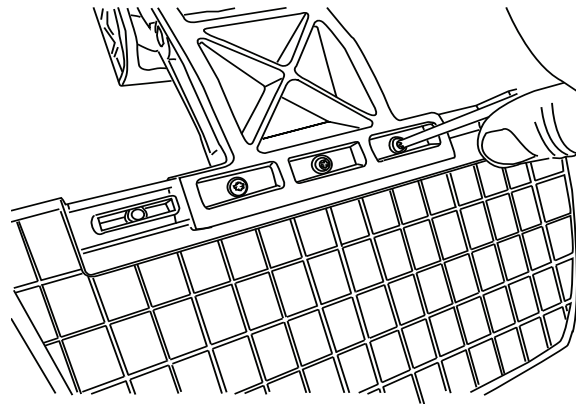


Set "Bracket E" and "Bracket D" together using provided flange head screw tighten bolts. Tighten bolts from Step 6 and 9. Torque to 16ft-lbs.



14

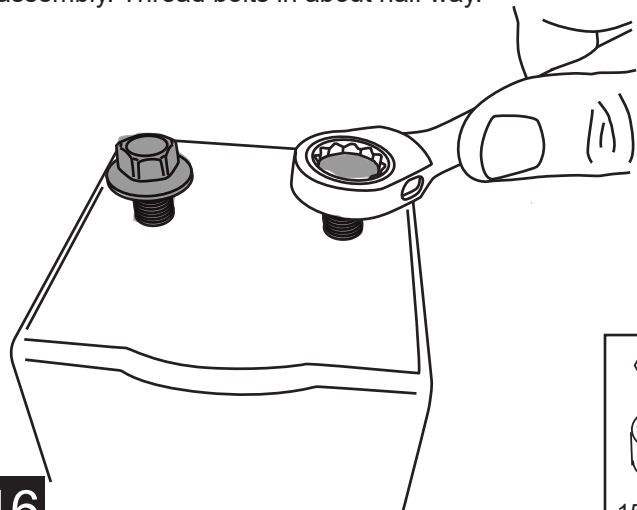
Set step pad into center position and tighten screws. Tighten to 5 ft-lbs.



T25

15

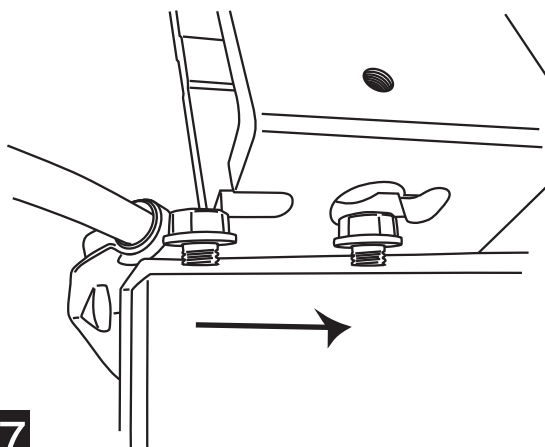
Using 15mm socket or wrench install bolts into linkage assembly. Thread bolts in about half way.



15mm

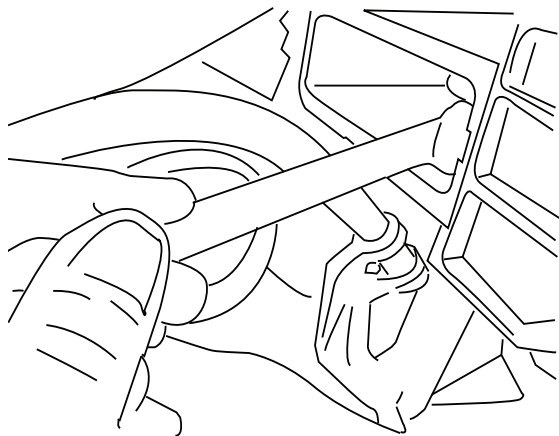
16

Slide linkage assembly into slot and hole and slide into position.



17

Once step pad is in adjusted position tighten bolts. Torque to 20 ft-lbs.



15mm

18

Thank you for your recent Realtruck Purchase.

**REGISTER YOUR PRODUCT TODAY FOR  
FASTER SERVICE & PRODUCT UPDATES**

Please visit:

**<https://realtruck.com/warranty-registration/>**  
or scan the QR Code



**Product Registration Benefits:**

- Ensure we have your purchase receipt and product info in our system which is required for warranty.
- Faster and easier access to customer service and tech support in the unlikely event you need warranty or product support.
- Registration helps us keep you up to date on product information and offers.

To view other Realtruck products that may be offered for your vehicle.

**Please visit: [www.realtruck.com](http://www.realtruck.com)**

**Congratulations on the purchase of your  
AMP Research BedStep®**

Here's what you should know...

**OPERATION**

- The AMP Research BedStep® is foot operated and deploys and retracts with a nudge of your foot.
- To deploy, press down using your left foot, on the forward outside corner of the step pad.
- To retract, gently kick the underside of the step pad.
- Max Load Capacity: 300lbs.
- Always use appropriate hand holds when stepping up to or down from your truck's cargo bed.

**MAINTENANCE TIPS**

The step pad surface and linkage arms can be washed with mild soap and water using a soft brush or sponge to dislodge any mud, dirt or accumulated road grime. Rinse with fresh water.

To prevent slipping, avoid applying waxes, lubricants or protectants like Armor All® to the step surface.

**ATTENTION!**

**BEDSTEP SHOULD ALWAYS BE STOWED IN THE RETRACTED POSITION WHEN DRIVING.**

**LIMITED WARRANTY**

REALTRUCK warrants product to be free from defects in material and workmanship, for terms specified below, provided there has been normal use and proper maintenance. All remedies under this warranty are limited to the repair or replacement of any item found by the factory to be defective within the time period specified.

If you have a warranty claim, first you must call our factory at the number below for instructions. You must retain proof of purchase and submit a copy with any items returned for warranty work. Upon completion of warranty work, if any, we will return the repaired or replaced item or items to you freight prepaid. Damage to our products caused by accidents, fire, vandalism, negligence, misinstallation, misuse, acts by mother nature, or by defective parts not manufactured by us, is not covered under this warranty.

THE WARRANTY TIME PERIOD IS AS FOLLOWS: THREE YEARS FROM DATE OF PURCHASE.

ANY IMPLIED WARRANTIES OF MERCHANTABILITY AND/OR FITNESS FOR A PARTICULAR PURPOSE CREATED HEREBY ARE LIMITED IN DURATION TO THE SAME DURATION AND SCOPE AS THE EXPRESS WRITTEN WARRANTY. OUR COMPANY SHALL NOT BE LIABLE FOR ANY INCIDENTAL OR CONSEQUENTIAL DAMAGE.

Some states do not allow limitations on how long an implied warranty lasts, or the exclusion or limitation of incidental or consequential damages, so the above limitations or exclusions may not apply to you. This warranty gives you specific legal rights, and you may also have other rights that vary from state to state.

FOR WARRANTY ISSUES WITH THIS PRODUCT PLEASE CALL REALTRUCK CUSTOMER SERVICE 1-888-983-2204

**WARNING**

Be sure to read and precisely follow the provided instructions when installing this product. Failure to do so could place the vehicle occupants in a potentially dangerous situation. After installing or reinstalling, re-check to insure that the product is properly installed.