

APPLICATION

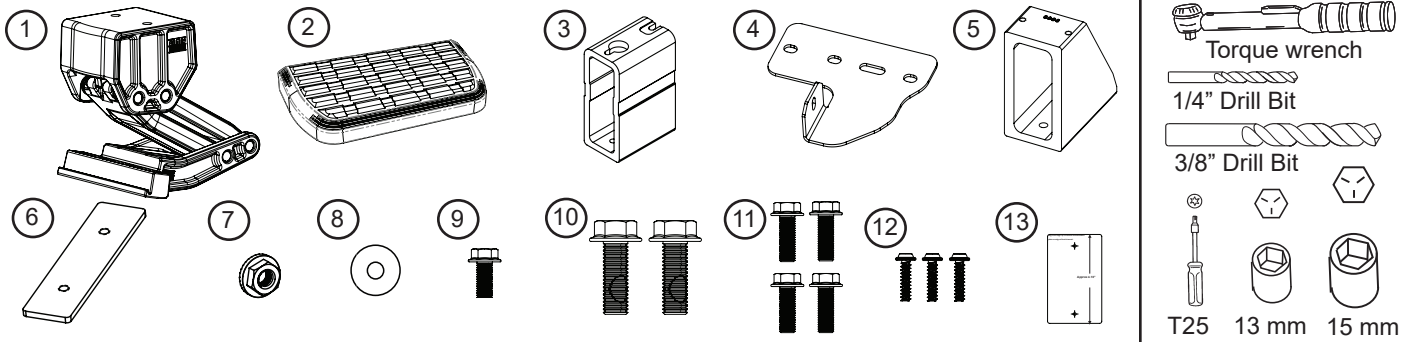
Dodge Ram DS 1500
 Dodge Ram DS 2500/3500
 3500 - Excludes 2013 dually w 8' Bed

MODEL YEAR

2009-2024
 2010-2013

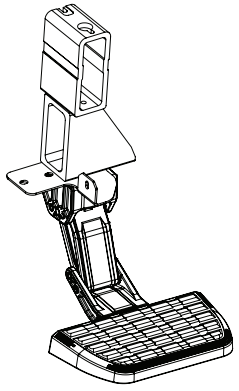
PART NUMBER

75406-01A
 75406-01A

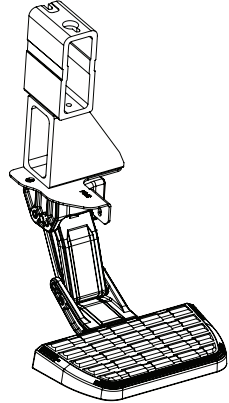


For 6.5' & 8' bed lengths components must be configured for Passenger or Drivers-Side as shown.

NOTE: For Dually w 8' Bed applications see kit 75611-01A for proper bracket orientation.



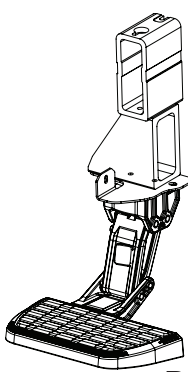
Driver-Side Orientation



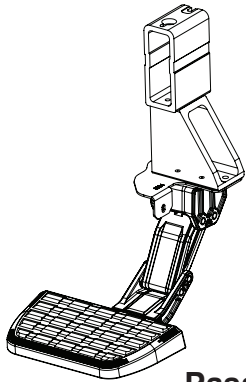
Passenger-Side Orientation

For 5.5' bed length components must be configured for Passenger or Drivers-Side as shown.

1



Driver-Side Orientation

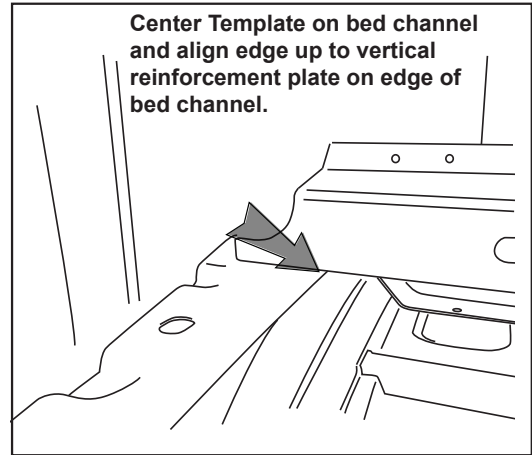
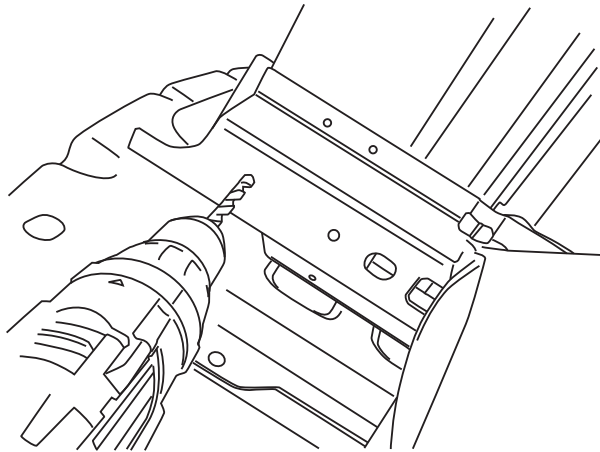


Passenger-Side Orientation

REALTRUCK TECH SUPPORT 1-888-983-2204 (Press 2) Monday - Friday, 8:00 AM - 5:00 PM EST

Designed and manufactured by AMP Research® • Made in Mexico
 Patent Protected. Please see our product site for applicable patents. www.realtruck.com/b/amp-research/
 © 2024 AMP Research • Three-year limited warranty. • Professional installation is recommended.

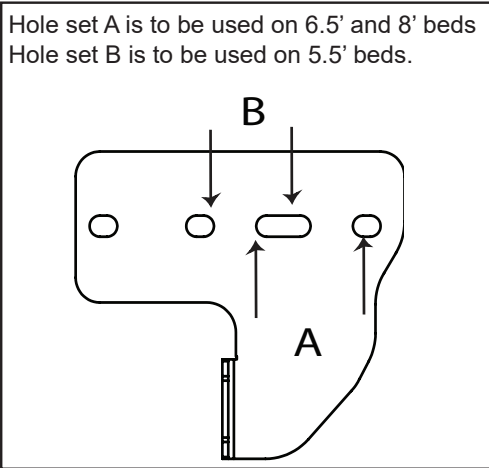
Use supplied drill template and mark holes in front bed channel mount. Pre drill holes using 1/4" drill bit. Next drill hole to 3/8".



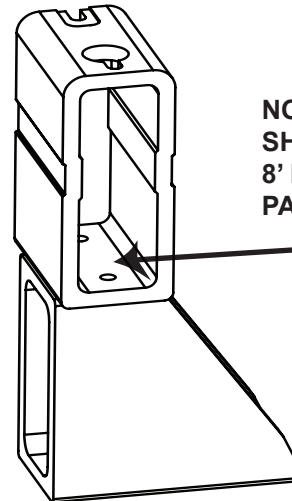
Center Template on bed channel and align edge up to vertical reinforcement plate on edge of bed channel.

2

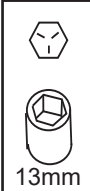
Using a 13mm Socket assemble the frame mount. Torque bolts to 16 ft-lbs.



Hole set A is to be used on 6.5' and 8' beds
Hole set B is to be used on 5.5' beds.



NOTE: DRIVER SIDE SHOWN WITH 6.5' & 8' BED. MIRROR FOR PASSENGER SIDE.

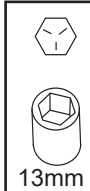
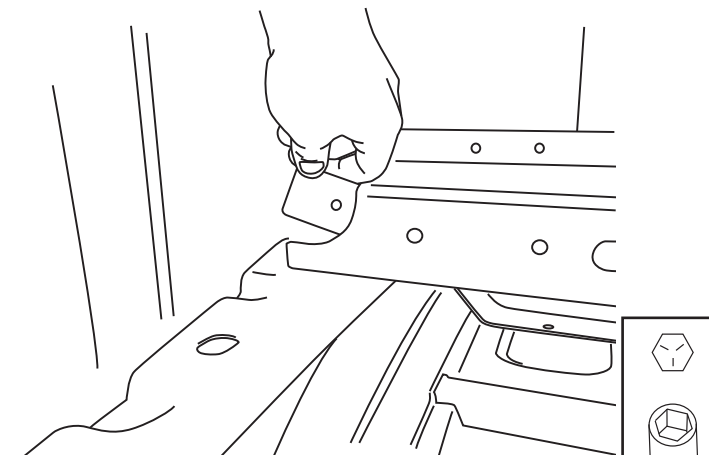


13mm

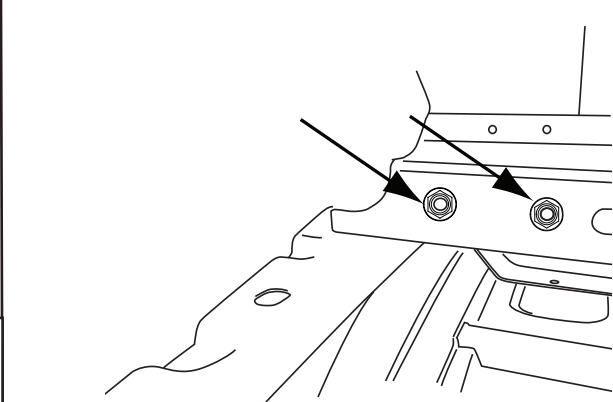
3

Slide threaded plate into bed channel and line up threaded locations to pre drilled holes.

Thread screws into threaded plate. Allow room for frame mount to slide up into position.



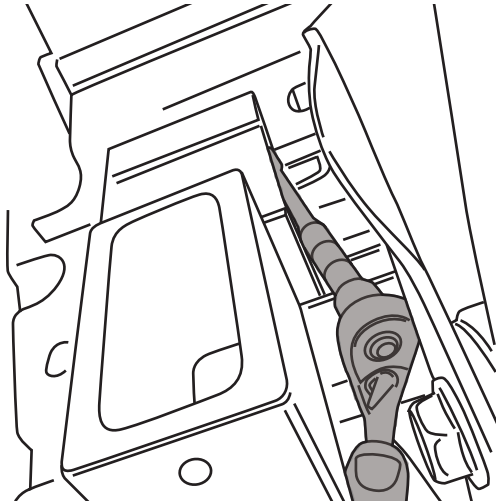
13mm



4

5

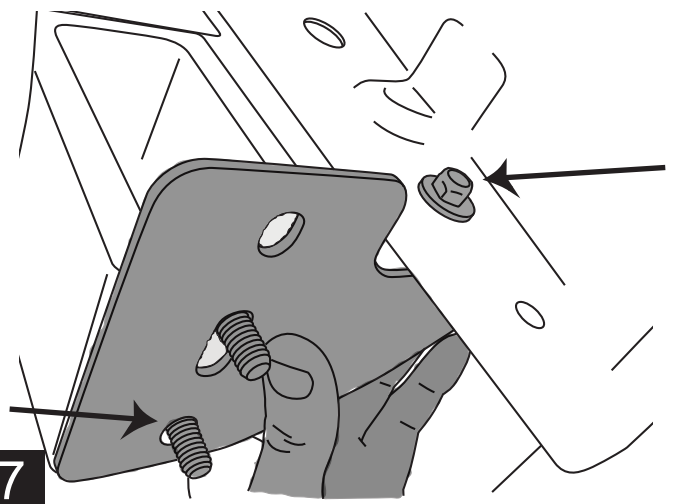
Using a 13mm Socket with extension, slide linkage assembly into slots in frame mount. Torque to 16ft-lbs.



6

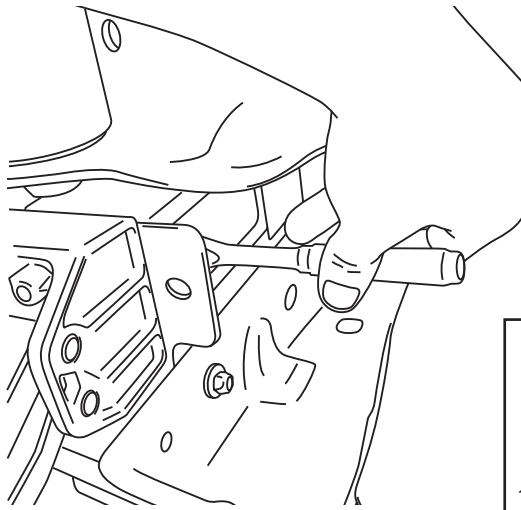


Set bolts into lower lateral mount. Set bracket into place and use provided hardware to bolt bracket to inner bed brace.



7

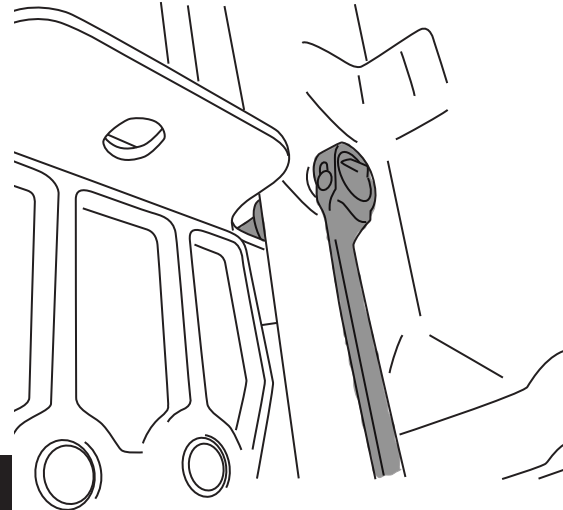
Set linkage into position, tighten bolts using 15mm Socket. Torque to 20 ft-lbs.



8



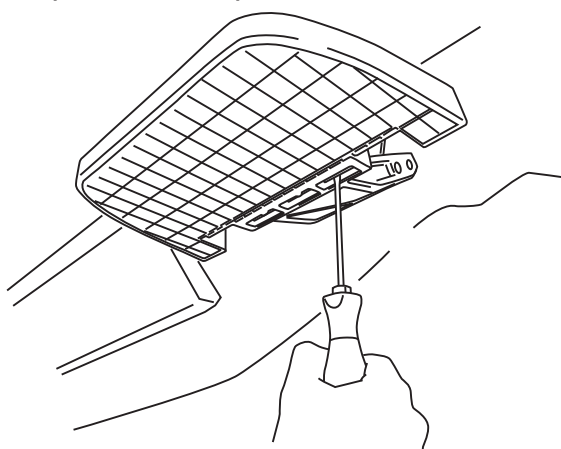
Tighten bracket bolt with 13mm socket and wrench. Torque to 16 ft-lbs.



9

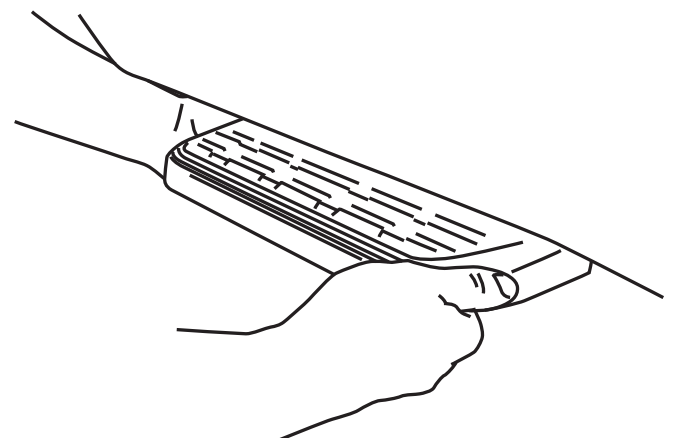


Locate the step pad in the following positions per application. Crew Cab 1500 offset step pad rearward. All other applications mount step pad in center position. Torque to 5 Ft-Lbs.



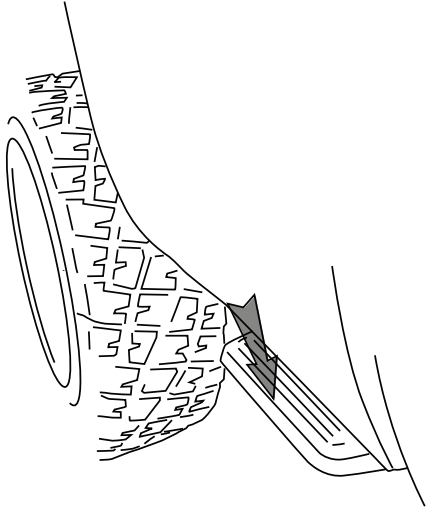
10

Verify step pad alignment to body line of vehicle.



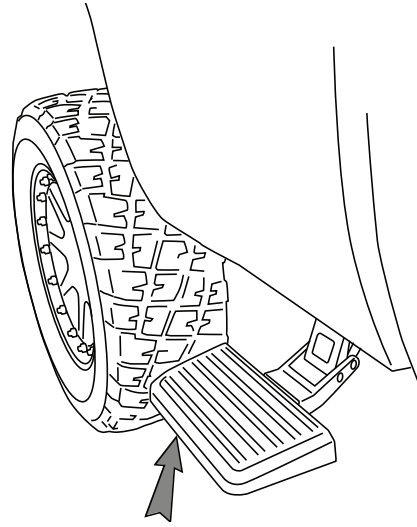
11

To deploy the step, press down using your foot on the outside edge of the step pad.



12

To retract, gently kick up on the underside of the step pad.



13

Thank you for your recent Realtruck Purchase.

**REGISTER YOUR PRODUCT TODAY FOR
FASTER SERVICE & PRODUCT UPDATES**

Please visit:

**<https://realtruck.com/warranty-registration/>
or scan the QR Code**



Product Registration Benefits:

- Ensure we have your purchase receipt and product info in our system which is required for warranty.
- Faster and easier access to customer service and tech support in the unlikely event you need warranty or product support.
- Registration helps us keep you up to date on product information and offers.

To view other Realtruck products that may be offered for your vehicle.

Please visit: www.realtruck.com



Congratulations on the purchase of your AMP Research BedStep®

Here's what you should know...

OPERATION

- The AMP Research BedStep® is foot operated and deploys and retracts with a nudge of your foot.
- To deploy, press down using your left foot, on the forward outside corner of the step pad.
- To retract, gently kick the underside of the step pad.
- Max Load Capacity: 300lbs.
- Always use appropriate hand holds when stepping up to or down from your truck's cargo bed.

MAINTENANCE TIPS

The step pad surface and linkage arms can be washed with mild soap and water using a soft brush or sponge to dislodge any mud, dirt or accumulated road grime. Rinse with fresh water.

To prevent slipping, avoid applying waxes, lubricants or protectants like Armor All® to the step surface.

ATTENTION!

BEDSTEP SHOULD ALWAYS BE STOWED IN THE RETRACTED POSITION WHEN DRIVING.

LIMITED WARRANTY

REALTRUCK warrants product to be free from defects in material and workmanship, for terms specified below, provided there has been normal use and proper maintenance. All remedies under this warranty are limited to the repair or replacement of any item found by the factory to be defective within the time period specified.

If you have a warranty claim, first you must call our factory at the number below for instructions. You must retain proof of purchase and submit a copy with any items returned for warranty work. Upon completion of warranty work, if any, we will return the repaired or replaced item or items to you freight prepaid. Damage to our products caused by accidents, fire, vandalism, negligence, misinstallation, misuse, acts by mother nature, or by defective parts not manufactured by us, is not covered under this warranty.

THE WARRANTY TIME PERIOD IS AS FOLLOWS: THREE YEARS FROM DATE OF PURCHASE.

ANY IMPLIED WARRANTIES OF MERCHANTABILITY AND/OR FITNESS FOR A PARTICULAR PURPOSE CREATED HEREBY ARE LIMITED IN DURATION TO THE SAME DURATION AND SCOPE AS THE EXPRESS WRITTEN WARRANTY. OUR COMPANY SHALL NOT BE LIABLE FOR ANY INCIDENTAL OR CONSEQUENTIAL DAMAGE.

Some states do not allow limitations on how long an implied warranty lasts, or the exclusion or limitation of incidental or consequential damages, so the above limitations or exclusions may not apply to you. This warranty gives you specific legal rights, and you may also have other rights that vary from state to state.

FOR WARRANTY ISSUES WITH THIS PRODUCT PLEASE CALL REALTRUCK CUSTOMER SERVICE 1-888-983-2204

WARNING

Be sure to read and precisely follow the provided instructions when installing this product. Failure to do so could place the vehicle occupants in a potentially dangerous situation. After installing or reinstalling, re-check to insure that the product is properly installed.