



ARMORDILLO Products are designed as decorative accessories and should not be relied upon as protection for the vehicle or passengers. Buyers assume all risk and liability whatsoever resulting from installation and use of products. We assume no liability for injury, loss, incidental or consequential damages in the event of an accident.

ARMORDILLO guarantees the original purchaser a LIMITED 3-YEAR WARRANTY from date of purchase against manufactured defects in materials, workmanship and finish under normal use. This excludes damage resulting from road hazards, debris, product misuse, improper installation, impairments from accidents, neglect, shipping or product modification. This warranty applies only to new products and is limited to the repair or replacement products. Warranty does not include cost of removal, installation, labor, freight, inconvenience, or consequential damage. Original purchaser must return defective merchandise to the original place of purchase and must provide the proof of purchase.

WARNING: When working on, under or around vehicle exercise caution. If working without a lift check vehicle owners manual for correct jacking points. Always wear safety glasses and ensure a safe working area. Serious injury or death could occur if safety measures are not followed.

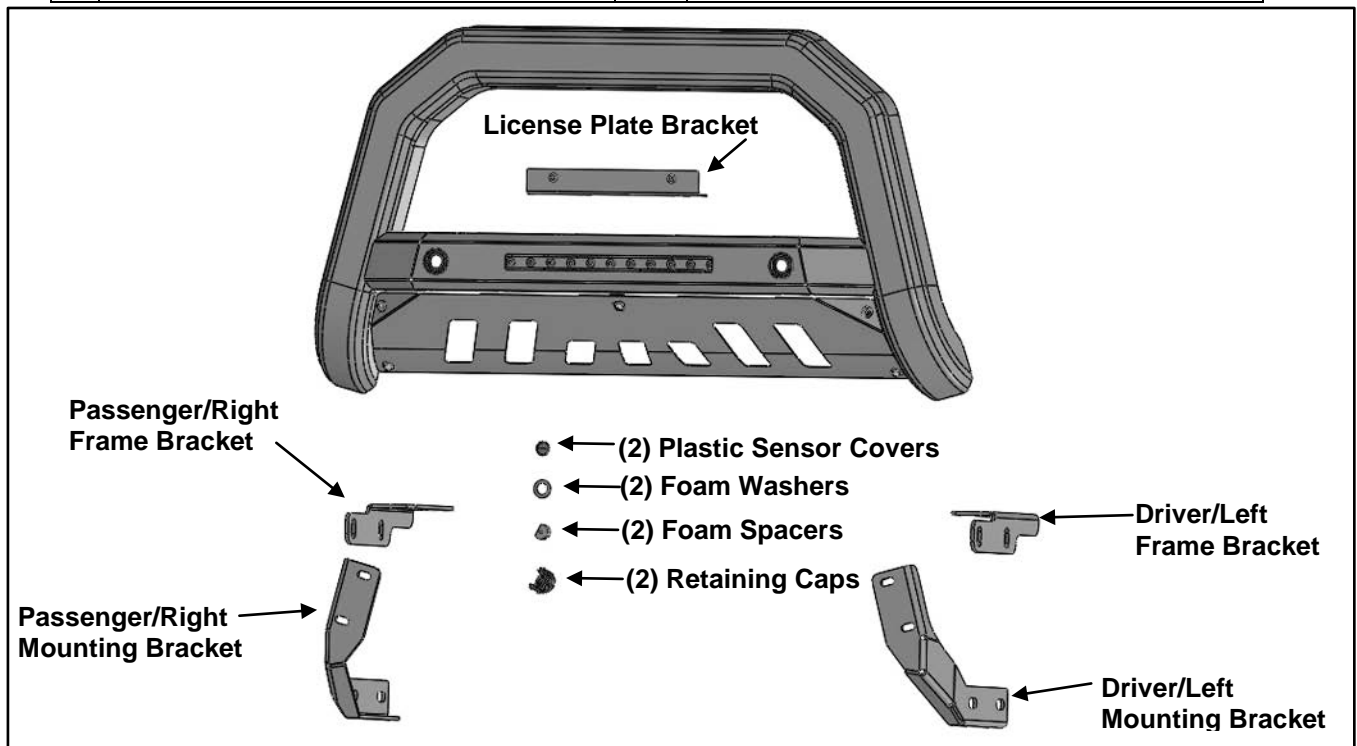
ARMORDILLO RECOMMENDS PROFESSIONAL INSTALLATION ON ALL THEIR PRODUCTS STOP - Verify part and application is correct before proceeding. If missing part or damaged item please contact customer service directly via message system on the site you bought the item from.

**Call us at (909)895-4522 Monday-Friday 9am-6pm PST
Email us At SUPPORT@ARMORDILLOUSA.COM**

**AR-T Bull Bar Bracket Kit
2016-2022 Nissan Titan XD**

PARTS LIST:

1	AVT Bull Bar	4	12mm x 35mm Coarse Thread Hex Bolts
1	Driver/Left Mounting Bracket	8	12mm Lock Washers
1	Passenger/Right Mounting Bracket	12	12mm x 32mm OD x 3mm Flat Washers
1	Driver/Left Frame Bracket	4	12mm Hex Nuts
1	Passenger/Right Frame Bracket	4	8mm x 25mm Combo Bolts
1	License Plate Bracket	2	6mm x 20mm Button Head Combo Bolts
2	Plastic Sensor Covers	2	6mm x 20mm Button Head Bolts
2	15.5mm x 25mm Foam Washers	4	6mm x 18mm OD x 1.6mm Flat Washers
2	20mm x 10mm Foam Spacers	2	6mm Lock Washers
2	Sensor Retaining Caps	2	6mm Hex Nuts
2	Rubber Grommets	4	4mm x 15mm Self Tapping Screws
4	12mm x 55mm Fine Thread Hex Bolts	1	4mm Hex Wrench



PROCEDURE:

REMOVE CONTENTS FROM BOX. VERIFY ALL PARTS ARE PRESENT. READ INSTRUCTIONS CAREFULLY BEFORE STARTING INSTALLATION. ASSISTANCE IS RECOMMENDED.

1. Start installation under the passenger side front of the vehicle, **(Figure 1)**. Locate and remove the (2) hex bolts attaching the tow hook to the bottom of the frame, (if equipped). On models without tow hooks, mounting holes may be filled with hex bolts. Remove hex bolts, **(Figure 2)**.
2. Select the Passenger/Right Frame Bracket. Hold the tow hook in place and line up the Bracket with the (2) mounting holes. Attach the Bracket to the tow hook and frame with the (2) included special 12-1.25mm x 55mm **Fine Thread** Hex Bolts, (2) 12mm Lock Washers and (2) 12mm Flat Washers, **(Figure 3)**. **VERY IMPORTANT:** Use only the provided **12-1.25mm x 55mm Fine Thread Hex Bolts** to bolt the Brackets to the vehicle or damage to the frame may result. Models without tow hooks, attach the Bracket directly to the bottom of the frame, **(Figure 4)**. Do not tighten hardware.
3. Repeat **Steps 1—2** for Driver/Left Frame Bracket installation.
4. Select the Passenger/Right Mounting Bracket. Attach the Mounting Bracket to the Frame Bracket with (2) 12mm **Coarse Thread** Hex Bolts, (4) 12mm Flat Washers, (2) 12mm Lock Washers and (2) 12mm Hex Nuts, **(Figure 5)**. Do not tighten hardware.
5. **Models without bumper sensors:**
 - a. Select (2) Plastic Sensor Covers.

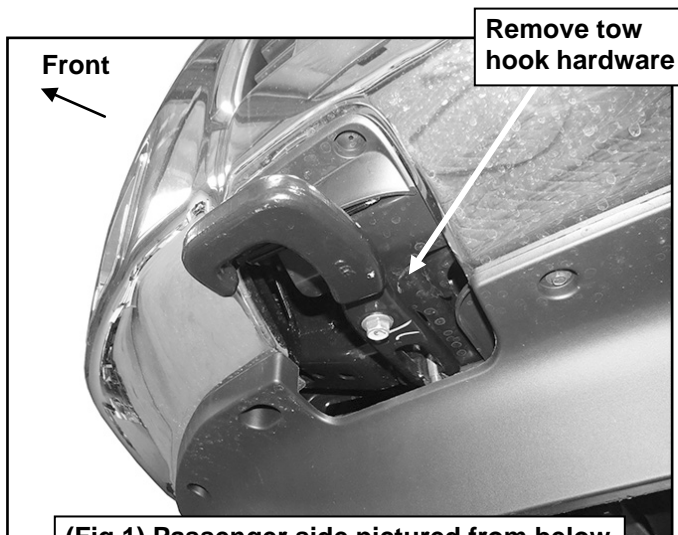
- b. From the front of the bumper, push the Covers into sensor mounting holes, **(Figure 6)**.

Models with bumper mounted back-up sensors:

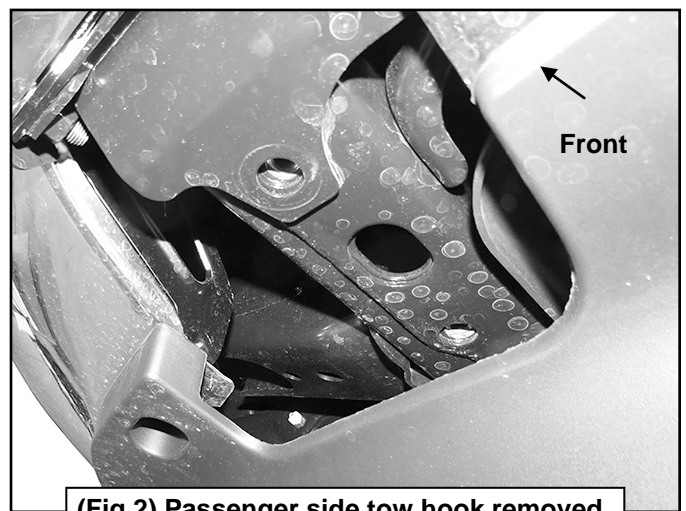
- a. Remove sensors and wiring harness from the back of the factory bumper.
 - b. Select (1) sensor. Insert (1) 15.5mm Foam Washer, (1) factory sensor, (1) Foam Spacer and (1) Retaining Cap into the mounting sleeve in the back of the bumper, **(Figure 7)**.
 - c. **(OPTIONAL)** Secure sensor to the sleeve with (2) 4mm x 10mm Self Tapping Screws.
IMPORTANT: Sensors fit snug in sleeves. The 4mm Screws are used to apply slight pressure to lock the sensors in place. Tighten both Screws evenly until they touch the sensor body only. Do not overtighten screws or damage to sensors will result.
 - d. Repeat previous **Steps** to install the remaining (1) sensors.
6. Select the AVT Bull Bar. With assistance, attach the Bull Bar to the (2) Mounting Brackets with (2) 8mm Combo bolts, **(Figure 8)**. Do not tighten hardware.
 7. Level and adjust the Bull Bar and fully tighten all hardware.
 8. Select the License Plate Bracket. Attach the Bracket to the center of the Bull Bar with (2) 6mm Button Head Bolts, (4) 6mm Flat Washers, (2) 6mm Lock Washers and (2) 6mm Hex Bolts, **(Figure 9)**. Attach the license plate to the Bracket with (2) 6mm Button Head Combo Bolts, **(Figure 10)**.
 9. Do periodic inspections to the installation to make sure that all hardware is secure and tight.

To protect your investment, Do not use any type of polish or wax that may contain abrasives that could damage the finish. Mild soap may be used also to clean the Bull Bar.

Passenger/Right Side Installation Pictured



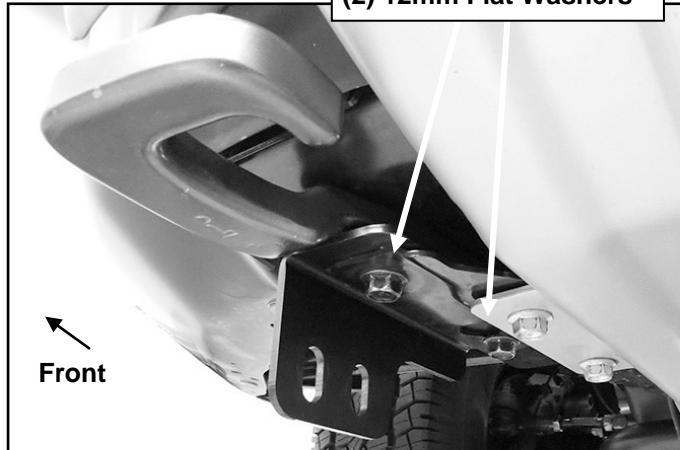
(Fig 1) Passenger side pictured from below



(Fig 2) Passenger side tow hook removed

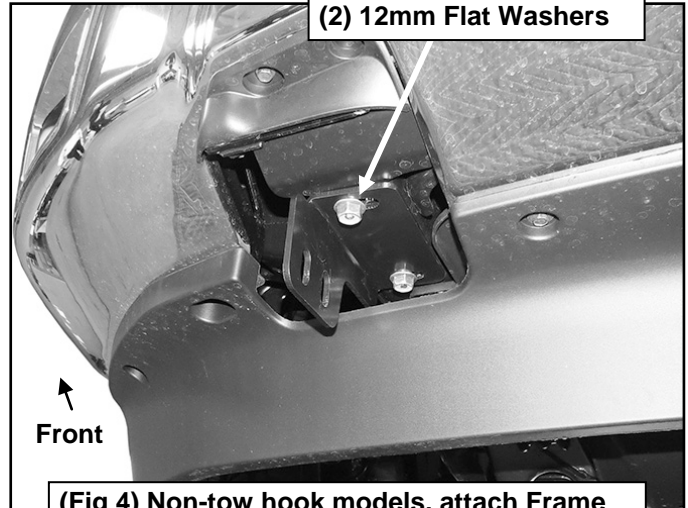
Passenger/Right Side Installation Pictured

- (2) 12-1.25mm x 55mm
Fine Thread Hex Bolts
- (2) 12mm Lock Washers
- (2) 12mm Flat Washers



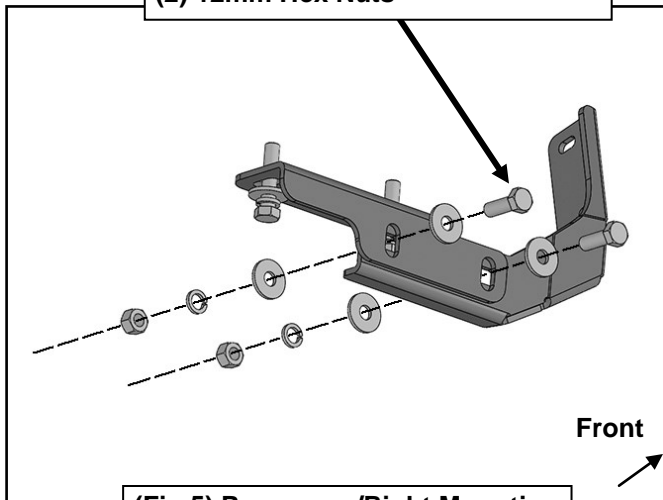
(Fig 3) Attach Frame Bracket to tow hook. Replace hardware with supplied longer 12mm Fine Thread Hex Bolts, Lock Washers and Flat Washers.

- Use factory hex bolts or
(2) 12-1.25mm x 55mm
Fine Thread Hex Bolts
- (2) 12mm Lock Washers
- (2) 12mm Flat Washers

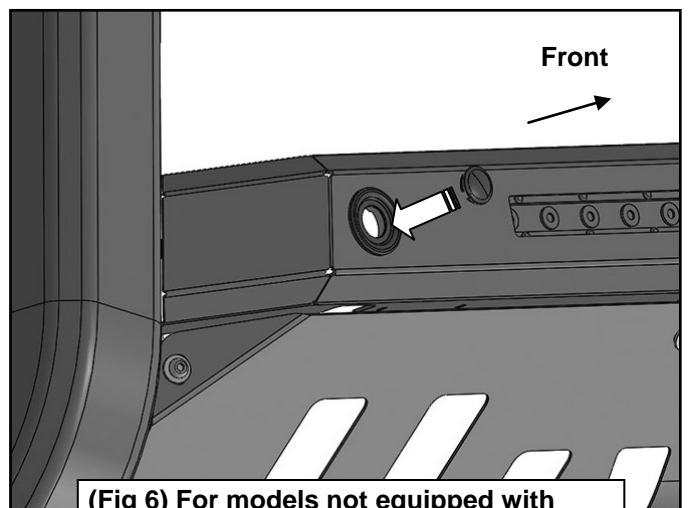


(Fig 4) Non-tow hook models, attach Frame Mounting Bracket directly to bottom of frame

- (2) 12mm Coarse Thread Hex Bolts
- (4) 12mm Flat Washers
- (2) 12mm Lock Washers
- (2) 12mm Hex Nuts

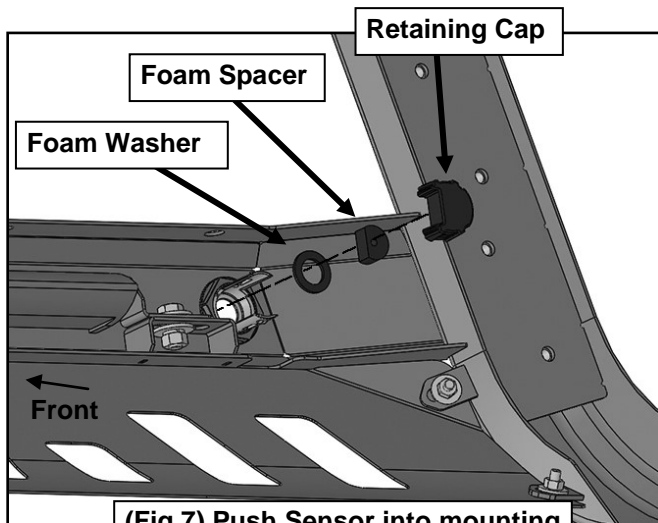


(Fig 5) Passenger/Right Mounting Bracket to the Frame Bracket

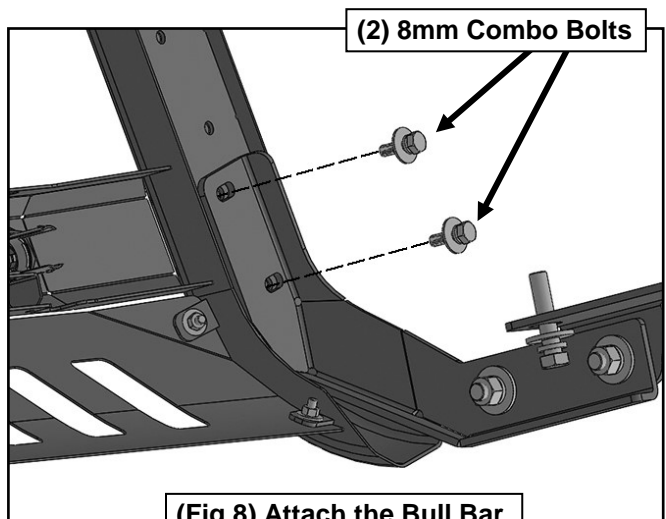


(Fig 6) For models not equipped with parking sensors, inert (1) Plastic Sensor Cover into each sensor mounting sleeve

Passenger/Right Side Installation Pictured

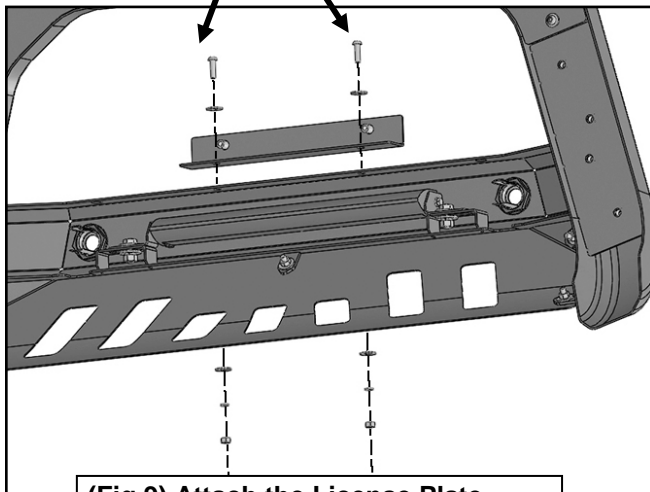


(Fig 7) Push Sensor into mounting sleeve (Optional, use 4mm Screws to lock sensor in place)

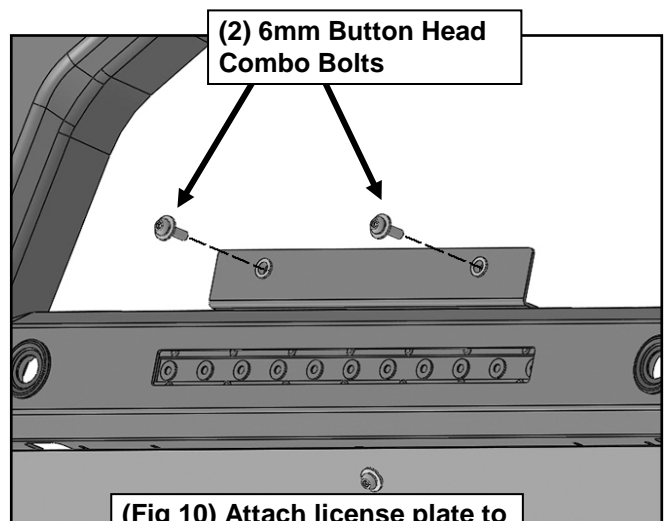


(Fig 8) Attach the Bull Bar to the Mounting Brackets

- (2) 6mm Button Head Bolts
- (4) 6mm Flat Washers
- (2) 6mm Lock Washers
- (2) 6mm Hex Nuts



(Fig 9) Attach the License Plate Bracket to the center of the Bull Bar



(Fig 10) Attach license plate to the License Plate Bracket



ARMORDILLO Products are designed as decorative accessories and should not be relied upon as protection for the vehicle or passengers. Buyers assume all risk and liability whatsoever resulting from installation and use of products. We assume no liability for injury, loss, incidental or consequential damages in the event of an accident.

ARMORDILLO guarantees the original purchaser a LIMITED 3-YEAR WARRANTY from date of purchase against manufactured defects in materials, workmanship and finish under normal use. This excludes damage resulting from road hazards, debris, product misuse, improper installation, impairments from accidents, neglect, shipping or product modification. This warranty applies only to new products and is limited to the repair or replacement products. Warranty does not include cost of removal, installation, labor, freight, inconvenience, or consequential damage. Original purchaser must return defective merchandise to the original place of purchase and must provide the proof of purchase.

WARNING: When working on, under or around vehicle exercise caution. If working without a lift check vehicle owners manual for correct jacking points. Always wear safety glasses and ensure a safe working area. Serious injury or death could occur if safety measures are not followed.

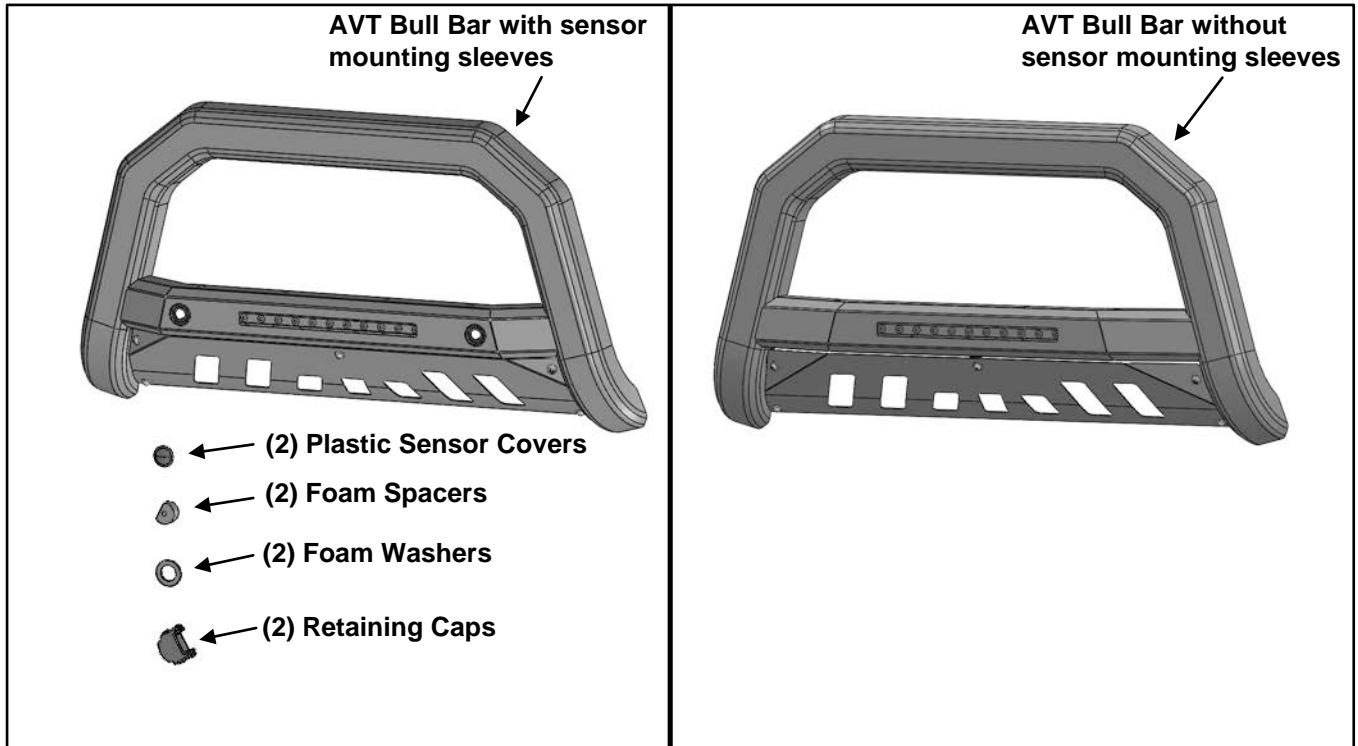
ARMORDILLO RECOMMENDS PROFESSIONAL INSTALLATION ON ALL THEIR PRODUCTS STOP - Verify part and application is correct before proceeding. If missing part or damaged item please contact customer service directly via message system on the site you bought the item from.

**Call us at (909)895-4522 Monday-Friday 9am-6pm PST
Email us At SUPPORT@ARMORDILLOUSA.COM**

PARTS LIST:

Models with sensors	
1	AVT Bull Bar
2	Plastic Sensor Covers
2	15.5mm x 25mm Foam Washers
2	20mm x 10mm Foam Spacers
2	Sensor Retaining Caps
4	4mm x 15mm Self Tapping Screws

Models without sensors	
1	AVT Bull Bar



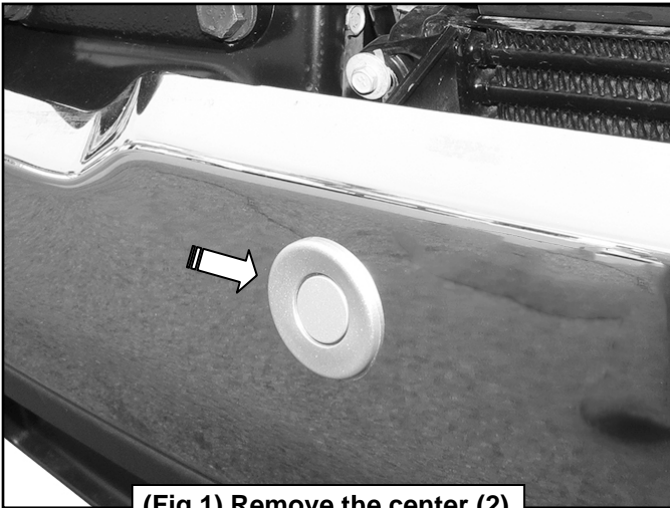
PROCEDURE:

REMOVE CONTENTS FROM BOX. VERIFY ALL PARTS ARE PRESENT. READ INSTRUCTIONS CAREFULLY BEFORE STARTING INSTALLATION. ASSISTANCE IS RECOMMENDED.

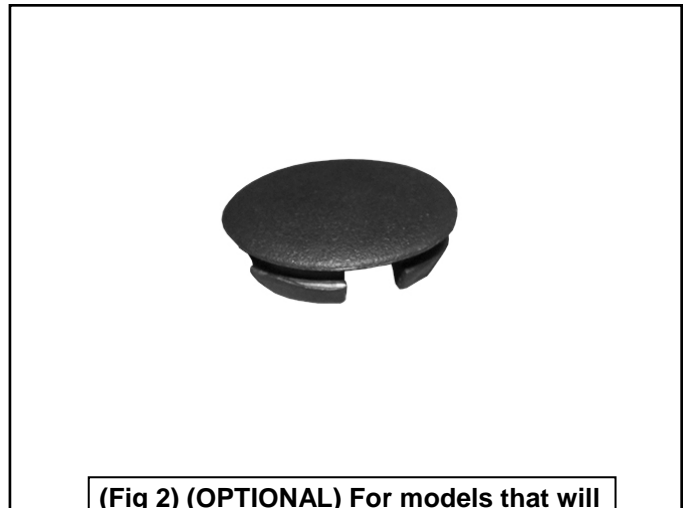
1. **For AVT Bull Bars without sensor mounting sleeves:**
 Continue to the Mounting Bracket kit instructions for attachment to the vehicle.
2. **For AVT Bull Bars with sensor mounting sleeves:**
 - a. Remove sensors and wiring harness from the back of the factory bumper, **(Figure 1)**.
 - b. **(OPTIONAL)** For vehicles that will run the wires under the bumper, select (1) Plastic Sensor Cap. Insert (1) Cap into (1) factory sensor sleeve, **(Figure 2)**. Repeat this **Step** to insert the remaining (1) Plastic Sensor Cap into the other sensor sleeve.
 - c. Select (1) sensor. Insert (1) 15.5mm Foam Washer, (1) factory sensor, (1) Foam Spacer and (1) Retaining Cap into the mounting sleeve in the back of the bumper, **(Figure 3)**.
 - d. **(OPTIONAL)** Secure sensor to the sleeve with (2) 4mm x 10mm Self Tapping Screws.
IMPORTANT: Sensors fit snug in sleeves. The 4mm Screws are used to apply slight pressure to lock the sensors in place. Tighten both Screws evenly until they touch the sensor body only. Do not overtighten screws or damage to sensors will result.
 - e. Repeat previous **Steps** to install the remaining (1) sensors.
3. Do periodic inspections to the installation to make sure that all hardware is secure and tight.

To protect your investment, Do not use any type of polish or wax that may contain abrasives that could damage the finish. Mild soap may be used also to clean the Bull Bar.

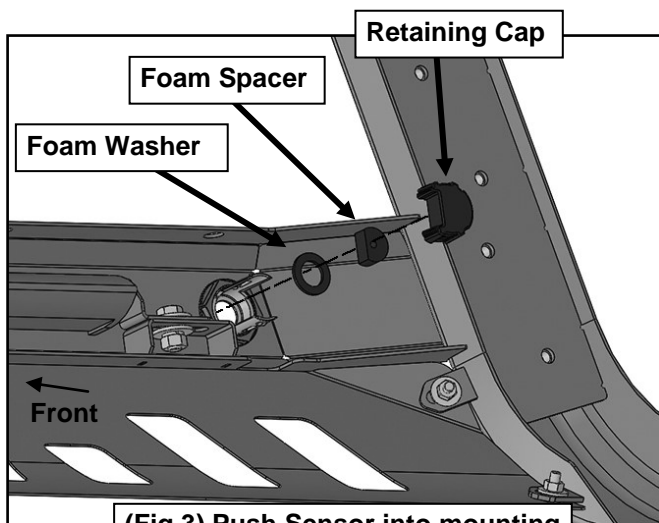
Passenger/Right Side Installation Pictured



(Fig 1) Remove the center (2) sensors from the bumper



(Fig 2) (OPTIONAL) For models that will have the wires go under the bumper, insert (1) Plastic Sensor Cap into each of the (2) factory sensors sleeves



(Fig 3) Push Sensor into mounting sleeve (Optional, use 4mm Screws to lock sensor in place)