



ARMORDILLO Products are designed as decorative accessories and should not be relied upon as protection for the vehicle or passengers. Buyers assume all risk and liability whatsoever resulting from installation and use of products. We assume no liability for injury, loss, incidental or consequential damages in the event of an accident.

ARMORDILLO guarantees the original purchaser a LIMITED 3-YEAR WARRANTY from date of purchase against manufactured defects in materials, workmanship and finish under normal use. This excludes damage resulting from road hazards, debris, product misuse, improper installation, impairments from accidents, neglect, shipping or product modification. This warranty applies only to new products and is limited to the repair or replacement products. Warranty does not include cost of removal, installation, labor, freight, inconvenience, or consequential damage. Original purchaser must return defective merchandise to the original place of purchase and must provide the proof of purchase.

**WARNING:** When working on, under or around vehicle exercise caution. If working without a lift check vehicle owners manual for correct jacking points. Always wear safety glasses and ensure a safe working area. Serious injury or death could occur if safety measures are not followed.

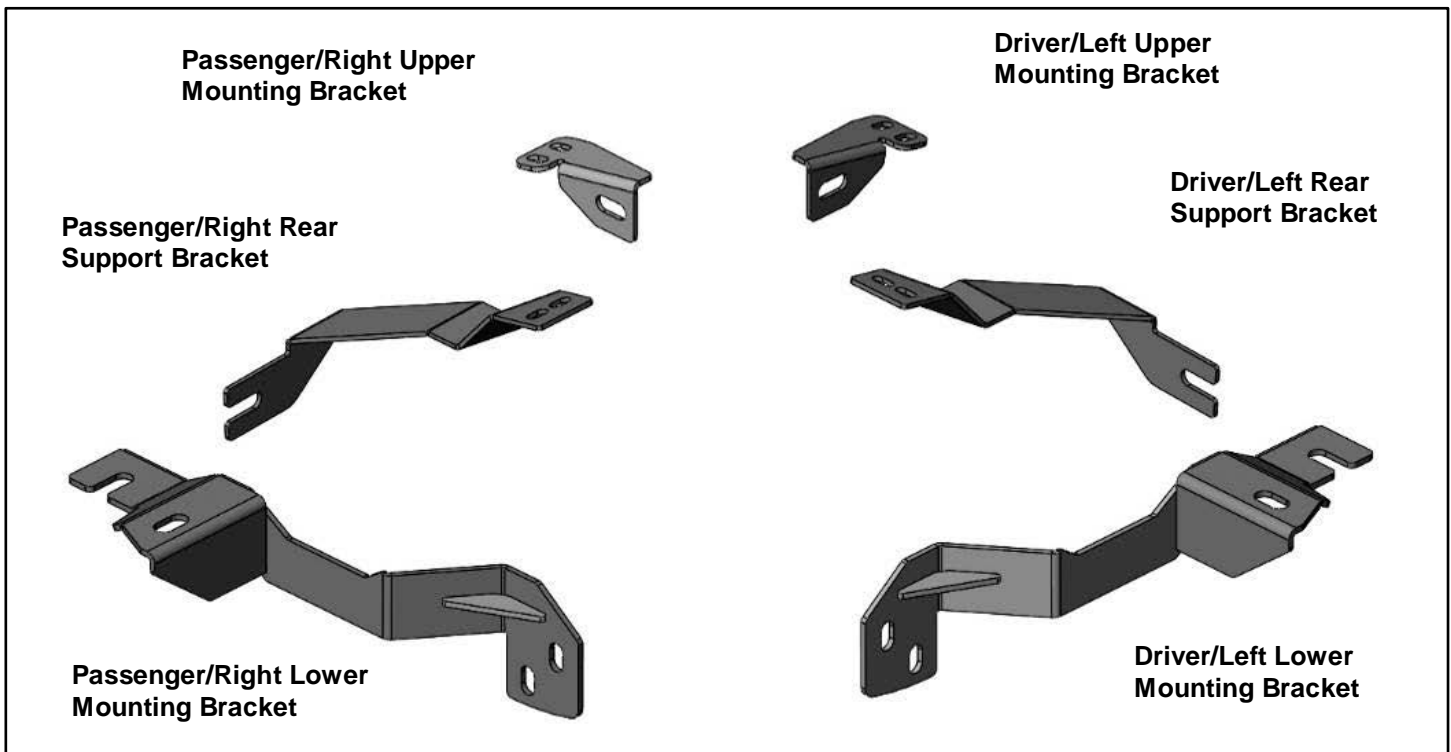
ARMORDILLO RECOMMENDS PROFESSIONAL INSTALLATION ON ALL THEIR PRODUCTS STOP - Verify part and application is correct before proceeding. If missing part or damaged item please contact customer service directly via message system on the site you bought the item from.

Call us at (909)895-4522 Monday-Friday 9am-6pm PST  
Email us At [SUPPORT@ARMORDILLOUSA.COM](mailto:SUPPORT@ARMORDILLOUSA.COM)

**BR-1 Bull Bar  
Bracket Kit for 2019-2022 Ram 1500  
EXCL. Classic/Rebel/Warlock**

**PARTS LIST:**

1	Driver/Left Lower Mounting Bracket	6	12-1.75mm x 35mm Hex Bolts
1	Passenger/Right Lower Mounting Bracket	12	12mm x 32mm OD x 3mm Flat Washers
1	Driver/Left Upper Mounting Bracket	2	12mm x 29mm OD x 5mm Spacer Washers
1	Passenger/Right Upper Mounting Bracket	6	12mm Lock Washers
1	Driver/Left Support Bracket	6	12mm Hex Nuts
1	Passenger/Right Support Bracket	4	8-1.25mm x 25mm Hex Bolts
2	Adhesive Foam Tapes	8	8mm x 24mm OD x 2mm Flat Washers
2	14-2.0mm x 35mm Hex Bolts	4	8mm Lock Washers
2	14mm Lock Washers	4	8mm Hex Nuts
2	14mm x 28mm OD x 2.5mm Flat Washers		



**PROCEDURE:**

**REMOVE CONTENTS FROM BOX. VERIFY ALL PARTS ARE PRESENT. READ INSTRUCTIONS CAREFULLY BEFORE STARTING INSTALLATION.**

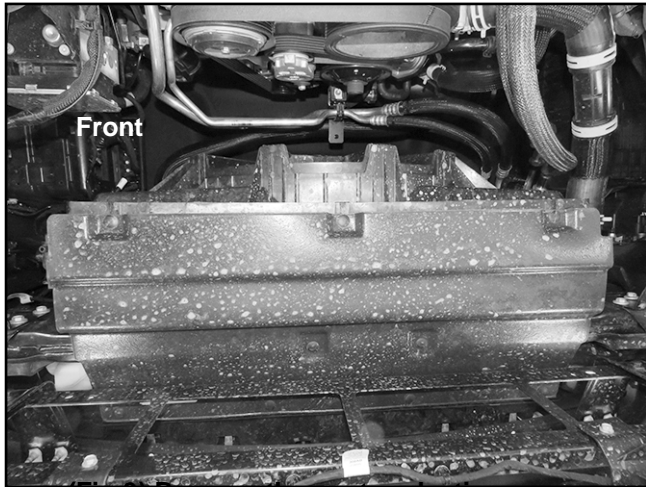
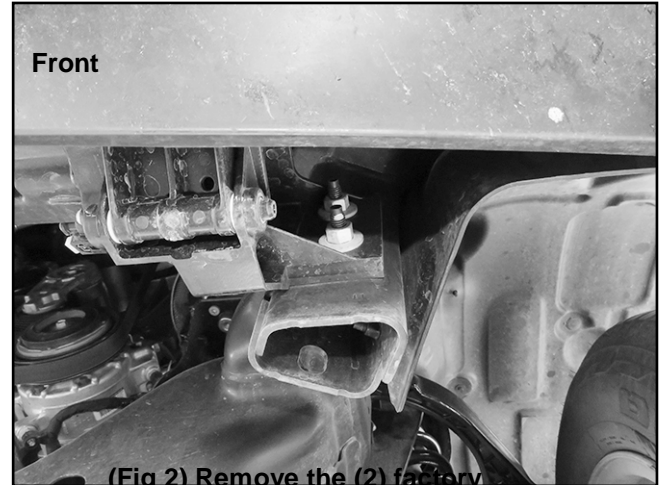
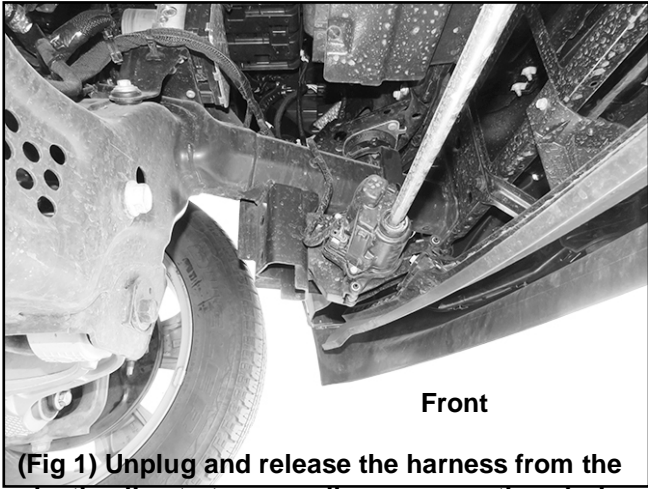
1. Start installation under the front bumper. Determine if vehicle is equipped with an active air dam system  
**Models without Active Air Dam; proceed to Step 2.**  
**Models with Active Air Dam:**
  - a. Unplug the active air dam, **(Figure 1)**.
  - b. Remove the (4) factory nuts attaching the active air dam to the bottom of the frame, **(Figure 2)**.
  - c. Place the active air dam on a clean and stable surface.
2. Locate and remove the center plastic cover, **(Figure 3)**.
3. Move to the Driver/Left side of the frame, loosen the (3) factory flange nuts attaching the bumper to the frame. **(Figure 4)**. Repeat for the Passenger/Right side. **Note:** Bumper does not need to be removed.
4. Select the Driver/Left Support Bracket. Apply a layer of Adhesive Foam Tape around the Bracket to protect the finish on the bumper and grille, **(Figure 5)**. **IMPORTANT:** To prevent the Brackets from damaging the finish on the vehicle during installation, cover the top of the bumper and bottom of grille with removable tape, (masking tape for example).

**BR-1 Bull Bar  
Bracket Kit for 2019-2022 Ram 1500  
EXCL. Classic/Rebel/Warlock**

5. Starting under and behind the center of the front bumper, insert the front end of the Driver/Left Support Bracket through the space in between the top of the bumper and the bottom of the grille.
6. Once the front of the Bracket is through the opening, carefully slide the Bracket towards the Driver/Left frame. Select (1) 12mm x 29mm x 5mm Spacer Washer. Temporarily remove the top inner factory nut from the Driver/Left bumper bracket. Slide the Spacer Washer on the stud on the frame. Reuse the factory nut to attach the Bracket to the spacer and stud, **(Figures 6 & 7)**. Do not tighten hardware.
7. Repeat **Steps 4—6** to attach the Passenger/Right Support Bracket.
8. **Determine if vehicle is equipped with tow hooks**  
**Vehicles without tow hooks:**
  - a. Loosen, but do not remove the factory bolt on the bottom of the frame.
  - b. Remove the plastic cover blocking opening in bumper, **(Figures 8 & 9)**.
  - c. Repeat this **Step** for the Passenger/Right side.**Vehicles equipped with tow hooks:**
  - a. Loosen, but do not remove rear tow hook bolt
  - b. Remove the front bolt and slide tow hook out of bumper, **(Figure 9)**. **NOTE:** Tow hooks cannot be reinstalled. Repeat this **Step** for the Passenger/Right side.
  - c. Repeat previous **Steps** to remove the Passenger/Right tow hook.
9. Select the Driver/Left Lower Mounting Bracket. Slide the open slot on the Bracket under the head of the factory bolt. Reuse the factory tow hook bolt or use (1) 14mm Hex Bolt, (1) 14mm Lock Washer and (1) 14mm Flat Washer to attach the Frame Bracket to the threaded hole in the frame, **(Figures 10 & 11)**. Do not tighten hardware.
10. Repeat **Step 9** to attach the Passenger/Right Lower Mounting Bracket.
11. Select the Driver/Left Upper Mounting Bracket. Attach the Bracket to the top of the Driver/Left Support Bracket with (2) 8mm Hex Bolts, (4) 8mm Flat Washers, (2) 8mm Lock Washers and (2) 8mm Hex Nuts, **(Figures 12 & 13)**. Do not tighten hardware.
12. Repeat **Step 11** to attach the Passenger/Right Upper Mounting Bracket.
13. With assistance, hold the Modular Grille Guard up to the inside of the Lower Mounting Brackets. Attach the Grille Guard Uprights to the Lower Mounting Brackets using (4) 12mm Hex Bolts, (8) 12mm Flat Washers, (4) 12mm Lock Washers and (4) 12mm Hex Nuts, **(Figures 14 & 15)**.
14. Attach the Grill Guard Uprights to the outside of the Upper Mounting Brackets using (2) 12mm Hex Bolts, (4) 12mm Flat Washers, (2) 12mm Lock Washers and (2) 12mm Hex Nuts, **(Figure 16 & 17)**. Do not tighten hardware.
15. Level and adjust the Grille Guard and tighten all hardware.
16. Reinstall the center plastic cover and active air dam, if equipped.
17. Do periodic inspections to the installation to make sure that all hardware is secure and tight.

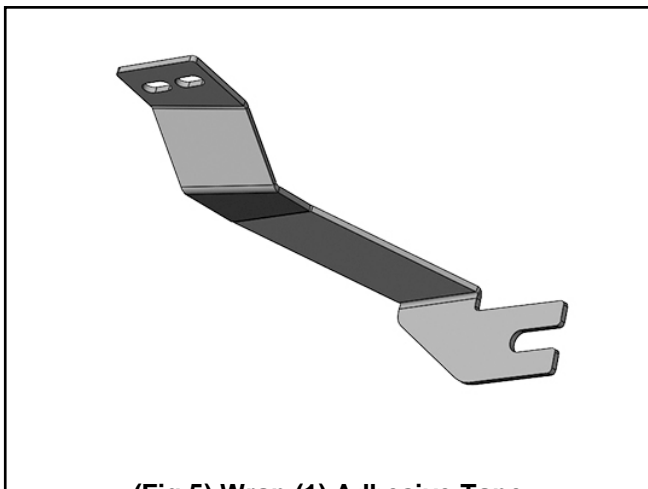
**To protect your investment**, Do not use any type of polish or wax that may contain abrasives that could damage the finish. Mild soap may be used to clean the Grille Guard.

Driver/Left Side Installation Pictured



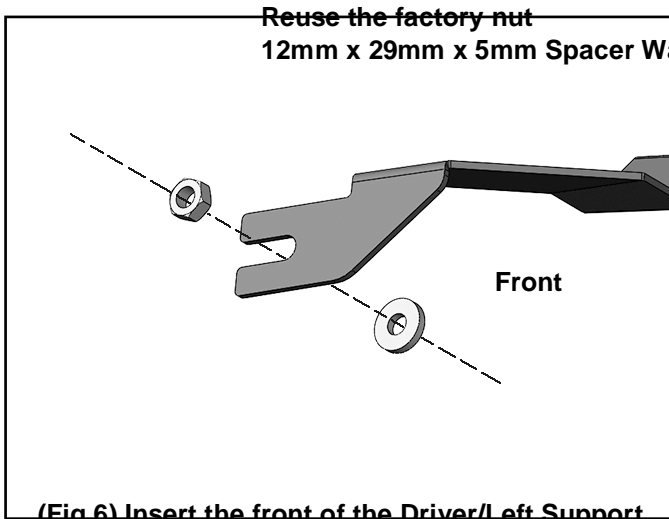
**IMPORTANT:** Loosen the rear tow hook bolt, but **DO NOT** remove completely.

Remove the inner factory hex nut

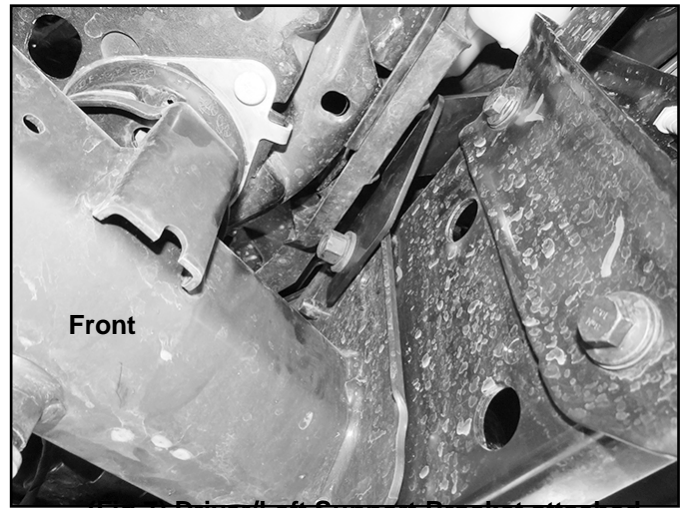


(Fig 5) Wrap (1) Adhesive Tape around the Support Bracket to prevent scratches on the bumper

Driver/Left Side Installation Pictured



(Fig 6) Insert the front of the Driver/Left Support Bracket through the back between the bumper and grille. Attach the Bracket to the frame plate.

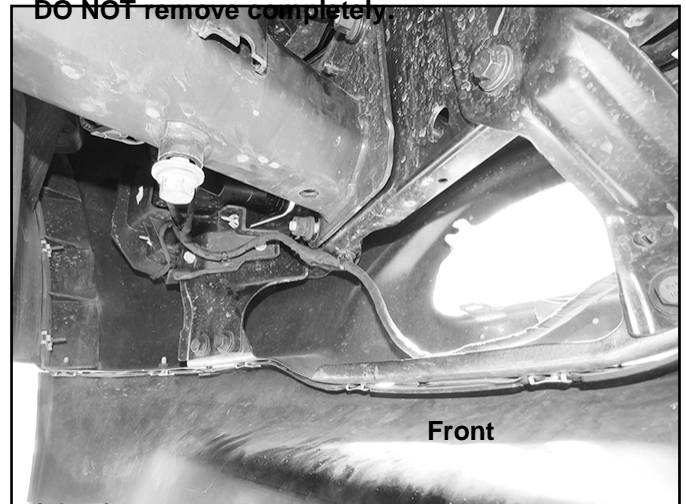


(Fig 7) Driver/Left Support Bracket attached



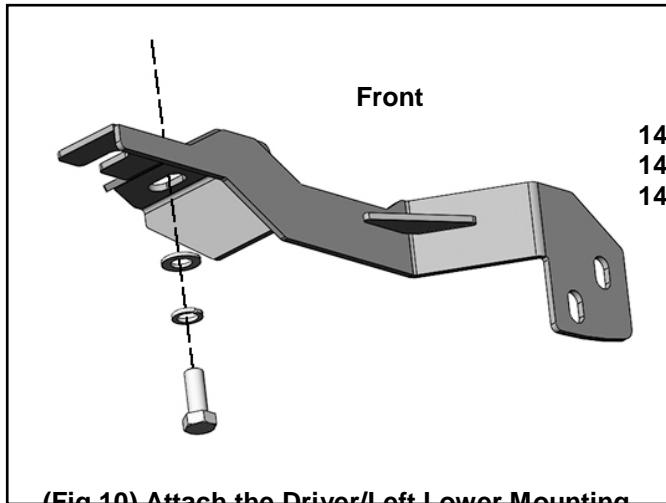
(Fig 8) For vehicles without tow hooks, remove the plastic cover

**IMPORTANT: Loosen the rear tow hook bolt, but DO NOT remove completely.**



(Fig 9) Loosen, do not remove, the rear tow hook bolt (arrow) Remove tow hook (if equipped).

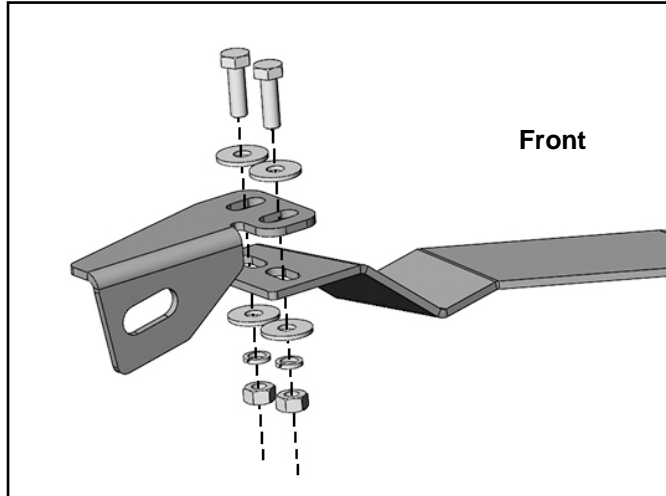
Driver/Left Side Installation Pictured



- 14mm Hex Bolt
- 14mm Lock Washer
- 14mm Flat Washer

(Fig 10) Attach the Driver/Left Lower Mounting Bracket to the frame. Slide the back of the bracket open slot under the tow hook bolt

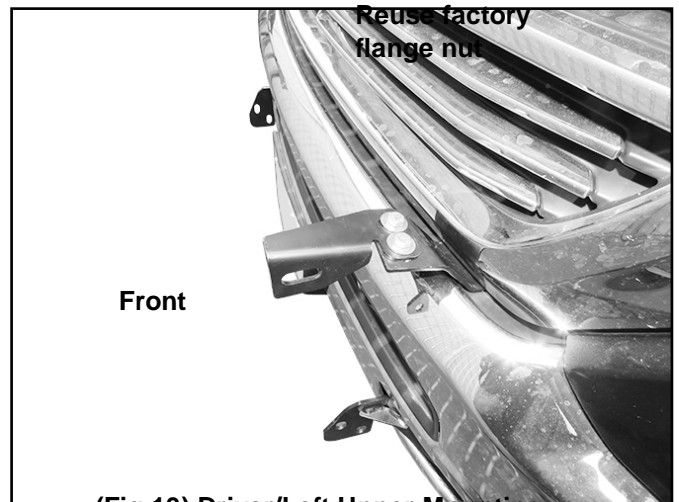
- (2) 8mm Hex Bolts
- (4) 8mm Flat Washers
- (2) 8mm Lock Washers
- (2) 8mm Hex Nuts



(Fig 12) Attach the Driver/Left Upper Mounting Bracket to the Support Bracket

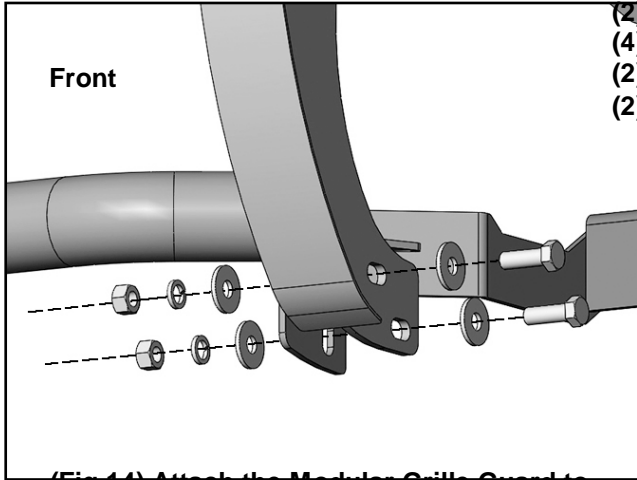


(Fig 11) Driver/Left Lower Mounting Bracket attached to the frame



(Fig 13) Driver/Left Upper Mounting Bracket attached to the Support Bracket

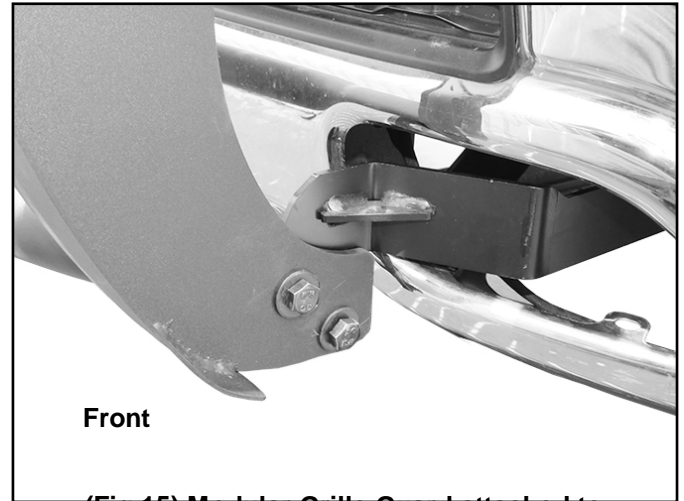
Driver/Left Side Installation Pictured



- (2) 12mm Hex Bolts
- (4) 12mm Flat Washers
- (2) 12mm Lock Washers
- (2) 12mm Hex Nuts

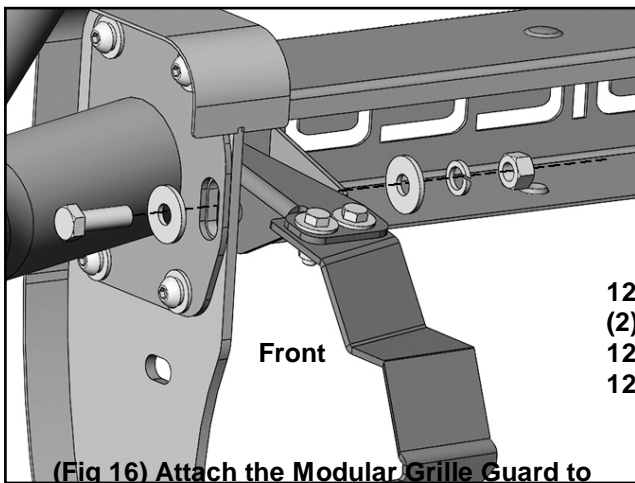
Front

(Fig 14) Attach the Modular Grille Guard to the Driver/Left Lower Mounting Bracket



Front

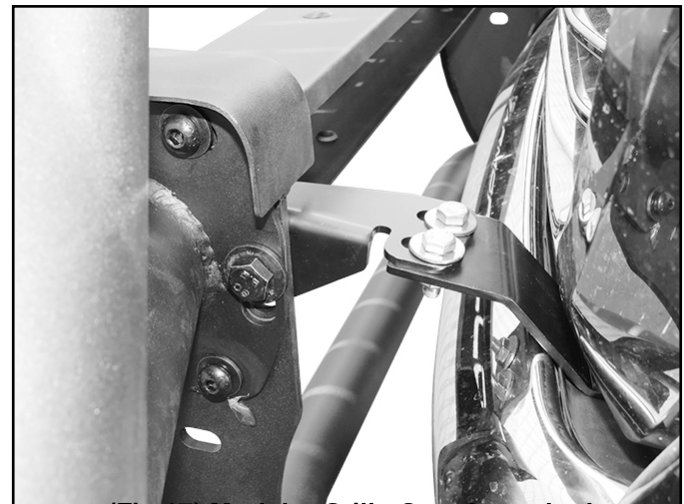
(Fig 15) Modular Grille Guard attached to the Driver/Left Lower Mounting Bracket



Front

- 12mm Hex Bolt
- (2) 12mm Flat Washers
- 12mm Lock Washer
- 12mm Hex Nut

(Fig 16) Attach the Modular Grille Guard to the Driver/Left Upper Mounting Bracket



(Fig 17) Modular Grille Guard attached to the Upper Mounting Bracket



Installation Complete



**ARMORDILLO Products are designed as decorative accessories and should not be relied upon as protection for the vehicle or passengers. Buyers assume all risk and liability whatsoever resulting from installation and use of products. We assume no liability for injury, loss, incidental or consequential damages in the event of an accident.**

**ARMORDILLO guarantees the original purchaser a LIMITED 3-YEAR WARRANTY from date of purchase against manufactured defects in materials, workmanship and finish under normal use. This excludes damage resulting from road hazards, debris, product misuse, improper installation, impairments from accidents, neglect, shipping or product modification. This warranty applies only to new products and is limited to the repair or replacement products. Warranty does not include cost of removal, installation, labor, freight, inconvenience, or consequential damage. Original purchaser must return defective merchandise to the original place of purchase and must provide the proof of purchase.**

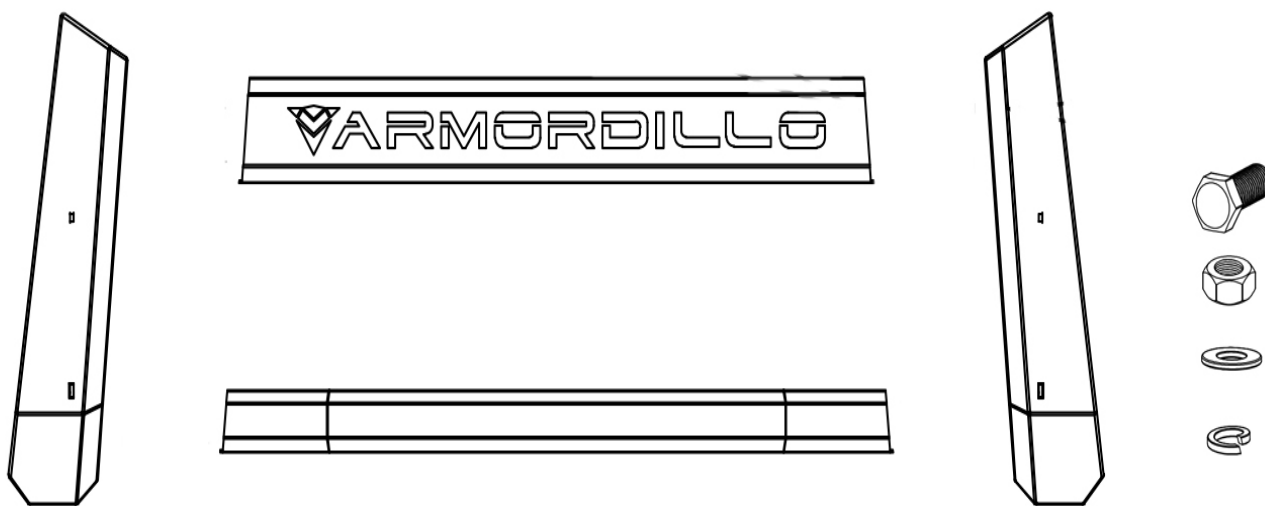
**WARNING: When working on, under or around vehicle exercise caution. If working without a lift check vehicle owners manual for correct jacking points. Always wear safety glasses and ensure a safe working area. Serious injury or death could occur if safety measures are not followed.**

**ARMORDILLO RECOMMENDS PROFESSIONAL INSTALLATION ON ALL THEIR PRODUCTS STOP - Verify part and application is correct before proceeding. If missing part or damage item please contact customer service directly via message system on the site you bought the item from.**

**Call us at (909)895-4522 Monday-Friday 9am-6pm PST  
Email us At [SUPPORT@ARMORDILLOUSA.COM](mailto:SUPPORT@ARMORDILLOUSA.COM)**

**PARTS LIST:**

1	Rock Crawler Grille Guard	8	10-1.5mm x 30mm Button Head Bolts
1	Top Bar	8	10mm x 24mm OD x 2.2mm Flat Washers
1	Driver/left Outer Wing	8	10mm Lock Washers
1	Passenger/right Outer Wing	4	8-1.25mm x 20mm Button Head Bolts
1	6mm Wrench	4	8mm x 24mm x 2mm Flat Washers
1	5mm Wrench	4	8mm Lock Washers



**PROCEDURE:**

**REMOVE CONTENTS FROM BOX. VERIFY ALL PARTS ARE PRESENT. READ INSTRUCTIONS CAREFULLY BEFORE STARTING INSTALLATION. ASSISTANCE IS RECOMMENDED.**

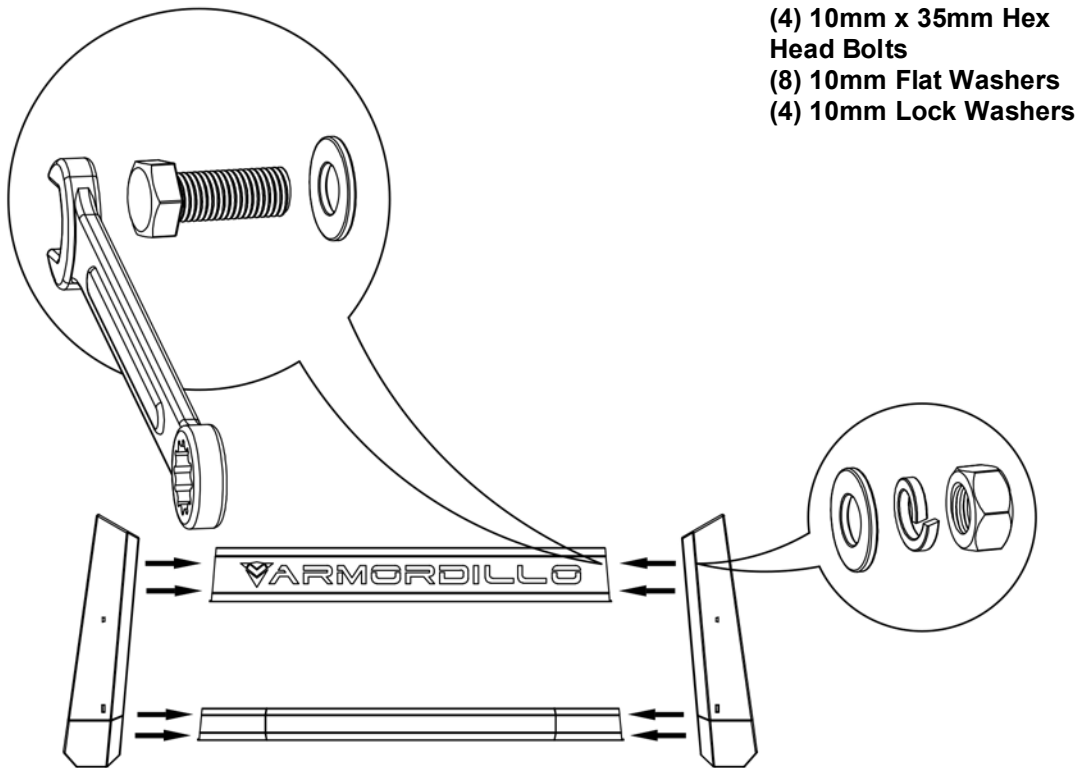
- Carefully unwrap the Grille Guard Center Section. Next, select the driver/left Grille Guard Outer section. Attach the outer to the Center Section with (4) 10mm x 35mm Button Head Bolts and (8) 10mm Flat Washers, (4) 10mm Lock Washer(**Figure 1**). Do not tighten hardware at this time. Repeat this Step to attach the passenger/right side Grille Guard Outer Wing
- Select the Center Top Bar. Line up the mounting holes in the Top Bar with the threaded inserts in the left and right Outer Wings. Attach the Top Bar to the Wings with (4) 8mm x 20mm Button Head Bolts, (4) 8mm Lock Washers and (4) 8mm Flat Washers. Fully tighten the hardware after attaching the Bumper Guard.
- Do periodic inspections to the installation to make sure that all hardware is secure and tight.
- Refer to Bracket Kit installation instructions to attach Bumper Guard to Brackets.

**To protect your investment**, wax this product after installing. Regular waxing is recommended to add a protective layer over the finish. Do not use any type of polish or wax that may contain abrasives that could damage the finish.

**For stainless steel:** Aluminum polish may be used to polish small scratches and scuffs on the finish. Mild soap may be used also to clean the Grille Guard.

**For gloss black finishes:** Mild soap may be used to clean the Grille Guard.

**Driver Side Installation Pictured**



- (4) 10mm x 35mm Hex Head Bolts
- (8) 10mm Flat Washers
- (4) 10mm Lock Washers

**(Fig 1) Attach the outer section to the center bar.**