



ARMORDILLO Products are designed as decorative accessories and should not be relied upon as protection for the vehicle or passengers. Buyers assume all risk and liability whatsoever resulting from installation and use of products. We assume no liability for injury, loss, incidental or consequential damages in the event of an accident.

ARMORDILLO guarantees the original purchaser a LIMITED 3-YEAR WARRANTY from date of purchase against manufactured defects in materials, workmanship and finish under normal use. This excludes damage resulting from road hazards, debris, product misuse, improper installation, impairments from accidents, neglect, shipping or product modification. This warranty applies only to new products and is limited to the repair or replacement products. Warranty does not include cost of removal, installation, labor, freight, inconvenience, or consequential damage. Original purchaser must return defective merchandise to the original place of purchase and must provide the proof of purchase.

WARNING: When working on, under or around vehicle exercise caution. If working without a lift check vehicle owners manual for correct jacking points. Always wear safety glasses and ensure a safe working area. Serious injury or death could occur if safety measures are not followed.

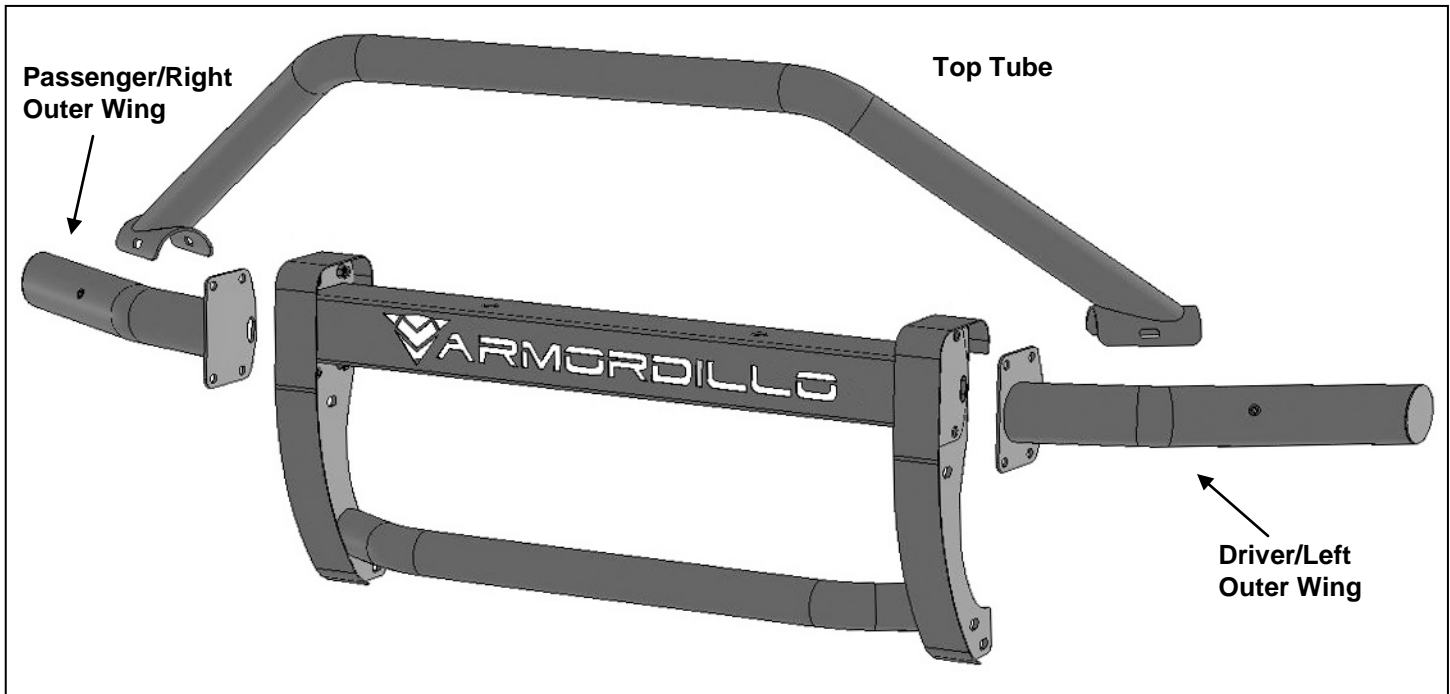
ARMORDILLO RECOMMENDS PROFESSIONAL INSTALLATION ON ALL THEIR PRODUCTS STOP - Verify part and application is correct before proceeding. If missing part or damaged item please contact customer service directly via message system on the site you bought the item from.

Call us at (909)895-4522 Monday-Friday 9am-6pm PST
Email us At SUPPORT@ARMORDILLOUSA.COM

**AR Pre Runner Guard
GRILLE GUARD ASSEMBLY**

PARTS LIST:

1	Rock Crawler Grille Guard	8	10-1.5mm x 30mm Button Head Bolts
1	Top Bar	8	10mm x 24mm OD x 2.2mm Flat Washers
1	Driver/left Outer Wing	8	10mm Lock Washers
1	Passenger/right Outer Wing	4	8-1.25mm x 20mm Button Head Bolts
1	6mm Wrench	4	8mm x 24mm x 2mm Flat Washers
1	5mm Wrench	4	8mm Lock Washers



PROCEDURE:

REMOVE CONTENTS FROM BOX. VERIFY ALL PARTS ARE PRESENT. READ INSTRUCTIONS CAREFULLY BEFORE STARTING INSTALLATION. ASSISTANCE IS RECOMMENDED.

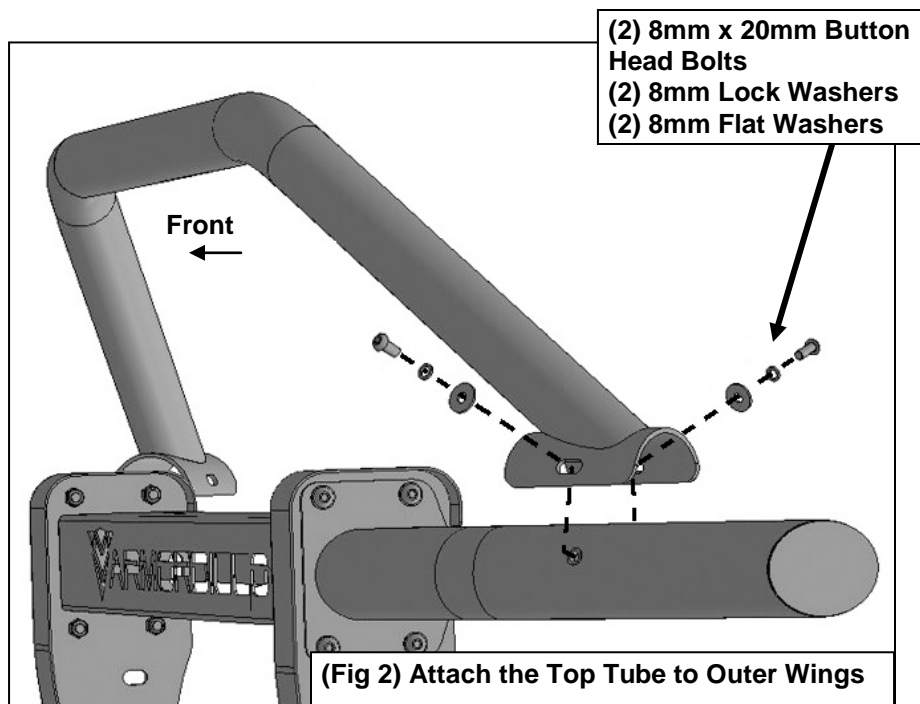
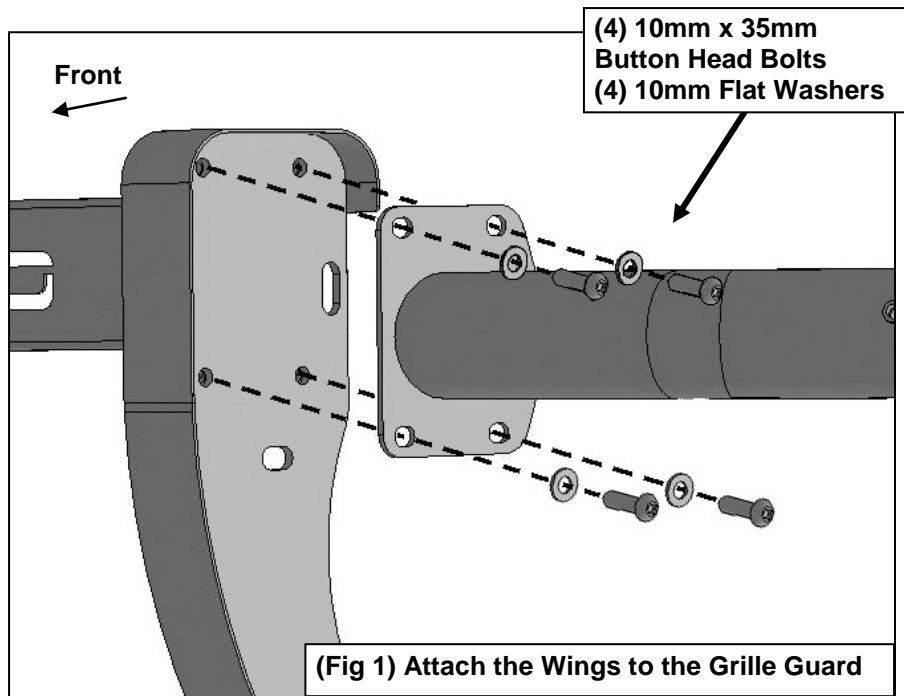
- Carefully unwrap the Grille Guard Center Section. Next, select the driver/left Grille Guard Outer Wing. Attach the Wing to the Center Section with (4) 10mm x 35mm Button Head Bolts and (4) 10mm Flat Washers, **(Figure 1)**. Do not tighten hardware at this time. Repeat this Step to attach the passenger/right side Grille Guard Outer Wing
- Select the Center Top Bar. Line up the mounting holes in the Top Bar with the threaded inserts in the left and right Outer Wings. Attach the Top Bar to the Wings with (4) 8mm x 20mm Button Head Bolts, (4) 8mm Lock Washers and (4) 8mm Flat Washers, **(Figure 2)**. Fully tighten the hardware attaching the Wings to the Grille Guard first, then tighten the Top Bar hardware.
- Do periodic inspections to the installation to make sure that all hardware is secure and tight.
- Refer to Bracket Kit installation instructions to attach Grille Guard to Brackets.

To protect your investment, wax this product after installing. Regular waxing is recommended to add a protective layer over the finish. Do not use any type of polish or wax that may contain abrasives that could damage the finish.

For stainless steel: Aluminum polish may be used to polish small scratches and scuffs on the finish. Mild soap may be used also to clean the Grille Guard.

For gloss black finishes: Mild soap may be used to clean the Grille Guard.

Driver Side Installation Pictured





ARMORDILLO Products are designed as decorative accessories and should not be relied upon as protection for the vehicle or passengers. Buyers assume all risk and liability whatsoever resulting from installation and use of products. We assume no liability for injury, loss, incidental or consequential damages in the event of an accident.

ARMORDILLO guarantees the original purchaser a LIMITED 3-YEAR WARRANTY from date of purchase against manufactured defects in materials, workmanship and finish under normal use. This excludes damage resulting from road hazards, debris, product misuse, improper installation, impairments from accidents, neglect, shipping or product modification. This warranty applies only to new products and is limited to the repair or replacement products. Warranty does not include cost of removal, installation, labor, freight, inconvenience, or consequential damage. Original purchaser must return defective merchandise to the original place of purchase and must provide the proof of purchase.

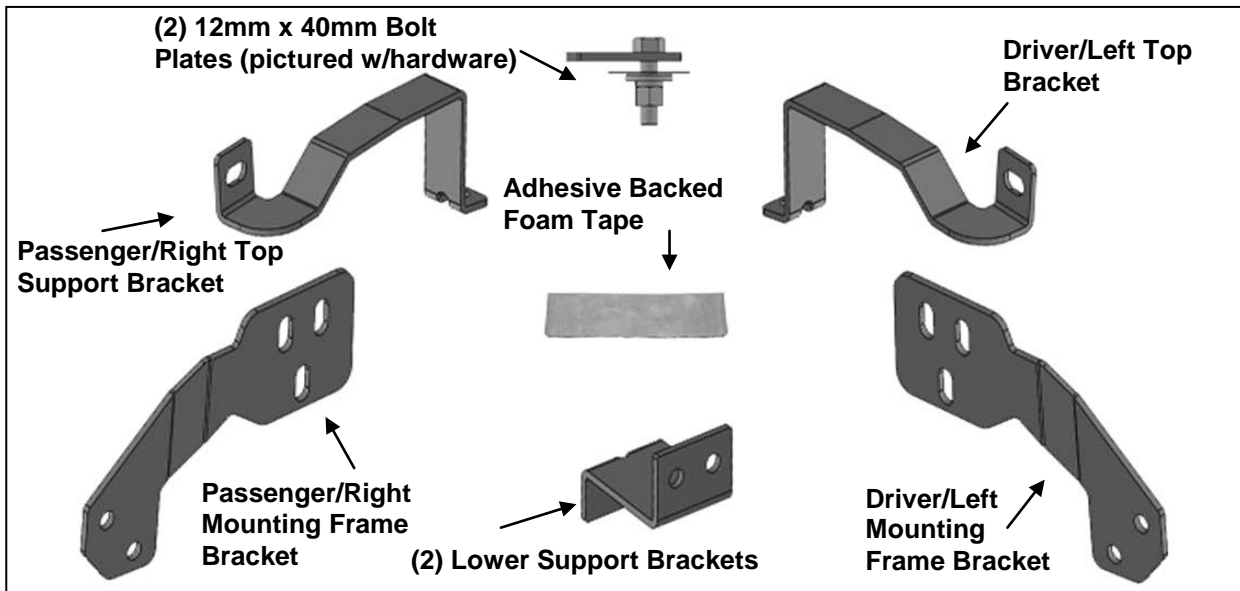
WARNING: When working on, under or around vehicle exercise caution. If working without a lift check vehicle owners manual for correct jacking points. Always wear safety glasses and ensure a safe working area. Serious injury or death could occur if safety measures are not followed.

ARMORDILLO RECOMMENDS PROFESSIONAL INSTALLATION ON ALL THEIR PRODUCTS STOP - Verify part and application is correct before proceeding. If missing part or damage item please contact customer service directly via message system on the site you bought the item from.

**Call us at (909)895-4522 Monday-Friday 9am-6pm PST
Email us At SUPPORT@ARMORDILLOUSA.COM**

PARTS LIST:

1	Driver/Left Frame Mounting Bracket	8	12-1.75mm x 40mm Hex Bolts
1	Passenger/Right Frame Mounting Bracket	12	12mm Lock Washers
2	Support Brackets	18	12mm x 32mmOD x 3mm Flat Washers
1	Driver/Left Top Bracket	12	12mm Hex Nuts
1	Passenger/Right Top Bracket	2	12-1.75mm x 140mm Hex Bolts
2	12-1.75mm x 40mm Bolt Plates	4	12mm x 24mmOD x 2.5mm Flat Washers
		2	600mm x 50mm x 1.0mm Adhesive Backed Foam Tape
2	12mm Plastic Retainers		



PROCEDURE:

1. REMOVE CONTENTS FROM BOX AND VERIFY ALL PARTS ARE PRESENT. READ INSTRUCTIONS CAREFULLY. DO NOT ATTEMPT INSTALLATION ALONE; PERSONAL INJURY OR DAMAGE TO THE VEHICLE MAY RESULT. CUTTING IS REQUIRED.
2. Start installation from under the front of the vehicle. Determine if the vehicle is equipped with tow hooks.
 - a. **Vehicles equipped with tow hooks and/or openings in bumper cover:** Remove the factory tow hooks, if equipped, (**Figure 1**). **NOTE:** This Grille Guard is not compatible with factory tow hooks.
 - b. **Vehicles without tow hooks and no openings in bumper cover:** Remove the plastic lower bumper cover. Place bumper cover on a clean, stable work surface, (**Figure 2**).
3. Starting on the Passenger/Right Side, locate the (2) holes, side by side, in the outer wall of the frame channel, (**Figures 4, 5 & 8B**). Insert (1) Bolt Plate into the open end of the frame channel and out the rearmost hole in the side of the frame, (**Figure 4 & 7**). Thread (1) 12mm Plastic Retainer onto the threaded end of the Bolt Plate to hold the Bolt Plate in position during Bracket installation, (**Figure 5**).
4. Select (1) Mounting Bracket and (1) Support Bracket.

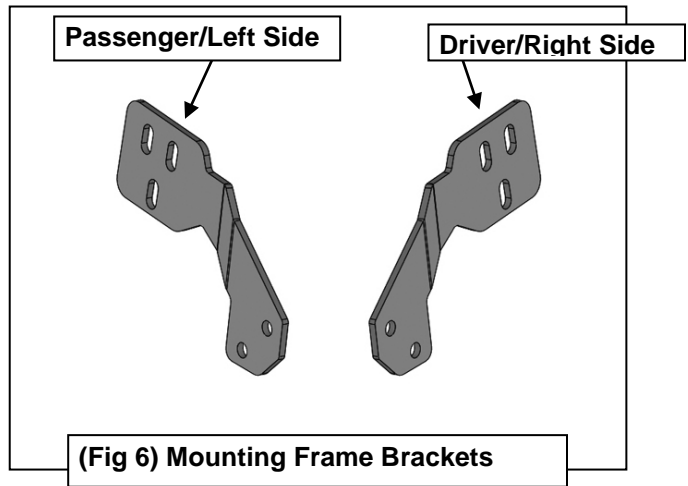
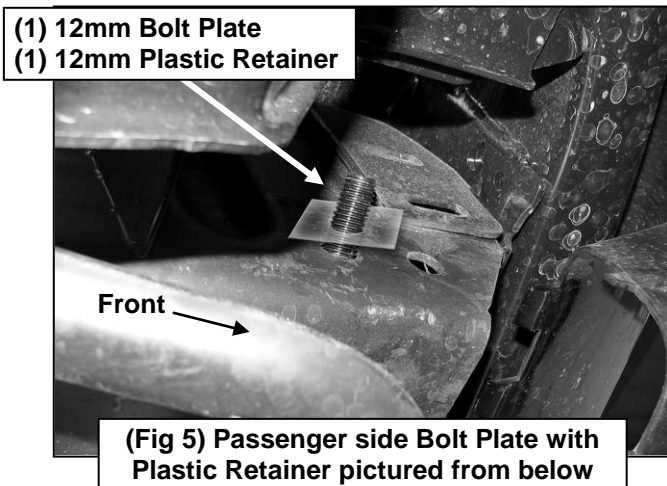
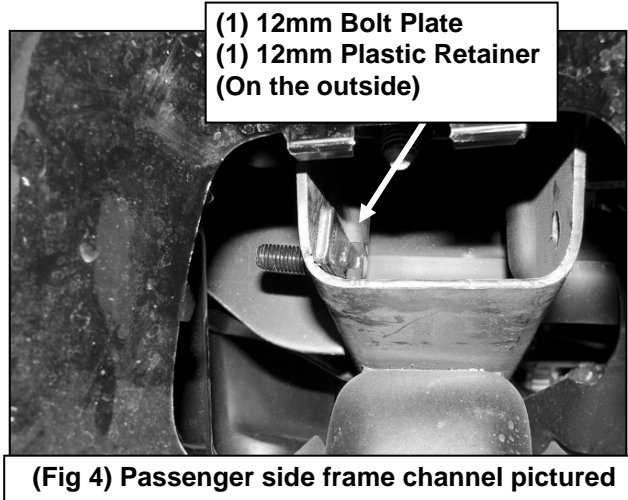
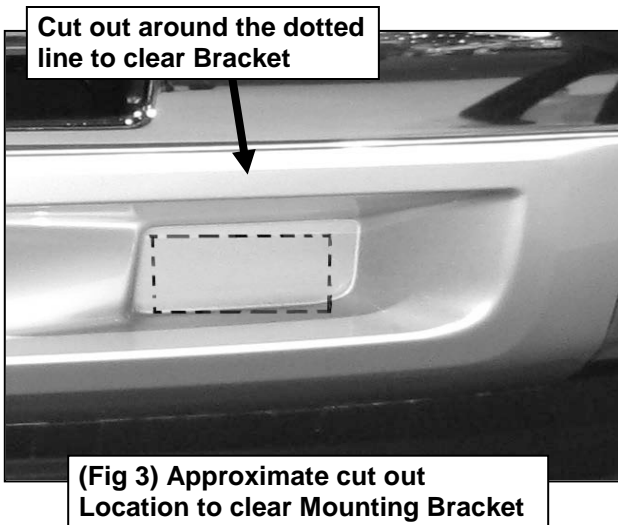
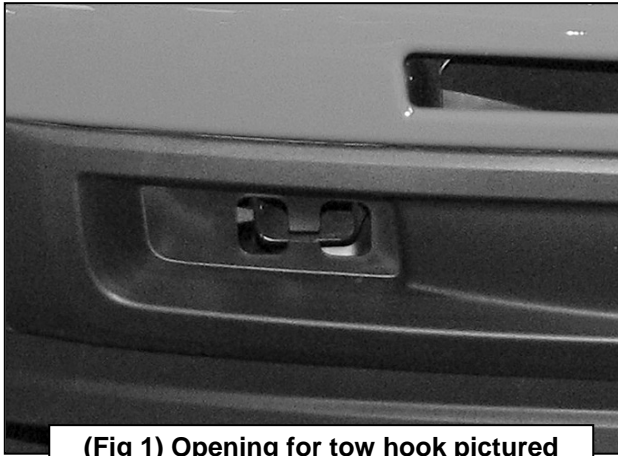
Passenger/Right side Mounting Bracket installation:

- a. Secure the Mounting Bracket to the Bolt Plate with (1) 12mm x 32mm Flat Washer, (1) 12mm Lock Washer and (1) 12mm Hex Nut. Select (1) Lower Support Bracket. Line up the forward hole in the Support Bracket with the hole in the inner wall of the frame channel.
- b. Insert (1) 12mm x 140mm Long Hex Bolt and (1) 12mm x 32mm Flat Washer through the Support Bracket, both sides of the frame channel and out the remaining hole in the Mounting Bracket, (**Figures 7, 8A, 8B & 9**). Secure with the included (1) 12mm x 32mm Flat Washer, (1) 12mm Lock Washer and (1) 12mm Hex Nut.
- c. Line up the hole in the bottom of the Support Bracket with the lower hole in the Mounting Bracket. Bolt the (2) Brackets together with the included (1) 12mm x 40mm Hex Bolt, (2) 12mm x 24mm Flat Washers, (1) 12mm Lock Washer and (1) Hex Nut, (**Figures 7, 8A & 8B**). Do not fully tighten.

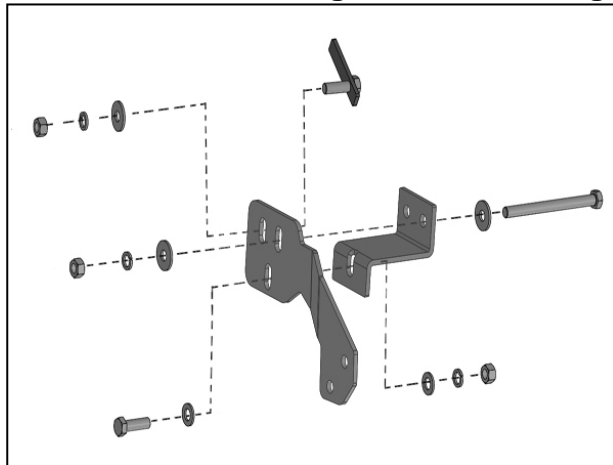
Driver/Left side Mounting Bracket installation:

- a. Install (1) 12mm Bolt Plate with Plastic Retainer in the end of the frame as described in Step 3.
NOTE: On the Driver/Left Side, the (2) holes will be on the inner wall of the frame, **(Figure 11A)**.
 - b. Select (1) Lower Support Bracket. Line up the rear hole in the Support Bracket with the previously installed Bolt Plate. Secure the Support Bracket to the Bolt Plate with (1) 12mm x 32mm Flat Washer, (1) 12mm Lock Washer and (1) 12mm Hex Nut, **(Figures 11B)**. Do not tighten.
 - c. Select (1) Mounting Bracket. Insert (1) 12mm x 140mm Long Hex Bolt and (1) 12mm x 32mm Flat Washer through the forward hole in the Support Bracket, both sides of the frame channel and out the forward hole in the Mounting Bracket, **(Figures 10, 11A & 11B)**. Secure the Mounting Bracket with the included (1) 12mm x 32mm Flat Washer, (1) 12mm Lock Washer and (1) Hex Nut. Bolt the bottom of the Support Bracket to the Mounting Bracket as previously described in **Step 4a, (Figures 10, 11A & 11B)**. Do not fully tighten hardware.
- 5. If the vehicle is not equipped with tow hooks and no openings in bumper cover (Vehicles equipped with tow hooks and/or openings proceed to Step 6)**
- a. Tighten the lower Mounting Bracket hardware only. Hold the lower bumper cover up in position and mark the location of the Mounting Brackets onto the back of the cover. Make the approximate cut out through the bumper cover to clear Mounting bracket **(Figure 3)**. Cut as little as possible from the bumper cover. Slide the bumper cover over the brackets. **NOTE:** It may be easier to temporarily remove the Brackets, reinstall the plastic panel, and then reinstall the Brackets after cutting the panel. Proceed to tighten the lower Mounting Brackets and continue to **Step 6**.
- 6.** Next, open the hood and remove the plastic cover between the top of the grille and the radiator. **NOTE:** Use a small flat head screw driver to pop up the center of the plastic clips. Remove the two outer bolts from the grille shell. Use a pair of “needle nose” pliers to carefully squeeze the back of the clips to release as you gently pull the grill forward, **(Figure 12)**. **IMPORTANT:** Do not damage the clips holding the grille in place. Once all of the clips have been released, carefully remove the grille by gently pulling it forward from the vehicle.
- 7.** Remove the long factory top bumper bracket bolt behind the bumper on the top of the frame on the Passenger/Right Side. Select the Passenger/Right Side Top Bracket. Apply a layer of Adhesive Backed Foam Tape to the inside of the Bracket to protect the finish on the bumper, **(Figure 13)**. **IMPORTANT:** To prevent the Top Brackets from damaging the finish on the vehicle during installation, cover the top of the bumper with removable tape, (masking tape). Secure the Top Bracket to the bumper bracket with the factory hex bolt, **(Figure 15)**. Leave the hardware loose at this time. Repeat this Step to install the Driver/Left Side Top Bracket.
- 8.** With assistance, hold the Grille Guard up in position on the outside of the Mounting Brackets. Bolt the Grille Guard to the Brackets with (4) 12mm x 40mm Hex Bolts, (8) 12mm x 32mm Flat Washers, (4) 12mm Lock Washers, and (4) 12mm Hex Nuts **(Figures 14)**. Snug but do not tighten hardware at this time.
- 9.** Line up the Passenger/Right Side Top Bracket with the hole in the upright on the Grille Guard. Bolt the Top Bracket to the upright with (1) 12mm Hex Bolt, (2) 12mm x 32mm Flat Washers, (1) 12mm Lock Washer and (1) 12mm Hex Nut **(Figure 15 & 16)**. Do not tighten hardware at this time. Repeat for Driver/Left Side Top Bracket installation.
- 10.** Level and adjust the Grille Guard. Make sure that the Top Brackets do not come in contact with the top of the bumper cover. Proceed to tighten all hardware.
- 11.** Once all mounting hardware is tight, line up the clips on the grille with the mounting tabs, **(Step 6)**, and gently push the grille back into place. Reinstall the top plastic cover.
- 12.** Do periodic inspections to the installation to make sure that all hardware is secure and tight.
- To protect your investment**, wax this product after installing. Regular waxing is recommended to add a protective layer over the finish. Do not use any type of polish or wax that may contain abrasives that could damage the finish. Mild soap may be used to clean the Grille Guard.

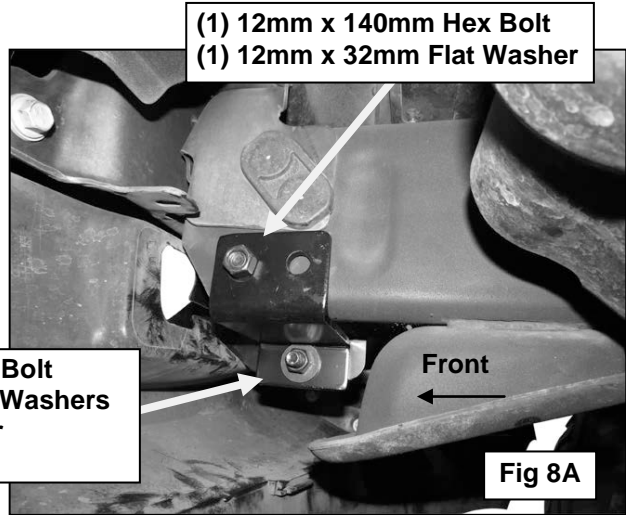
Passenger Side Mounting Bracket Installation Pictured



Passenger Side Mounting Bracket Installation Pictured



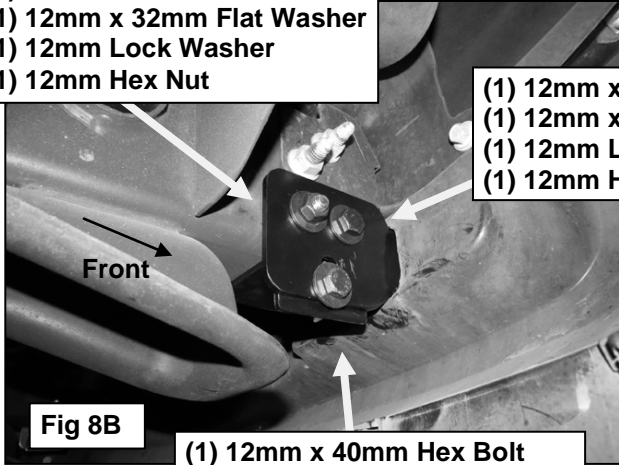
(Fig 7) Passenger Side Mounting Bracket Illustration Pictured



- (1) 12mm x 140mm Hex Bolt
- (1) 12mm x 32mm Flat Washer

- (1) 12mm x 40mm Hex Bolt
- (2) 12mm x 24mm Flat Washers
- (1) 12mm Lock Washer
- (1) 12mm Hex Nut

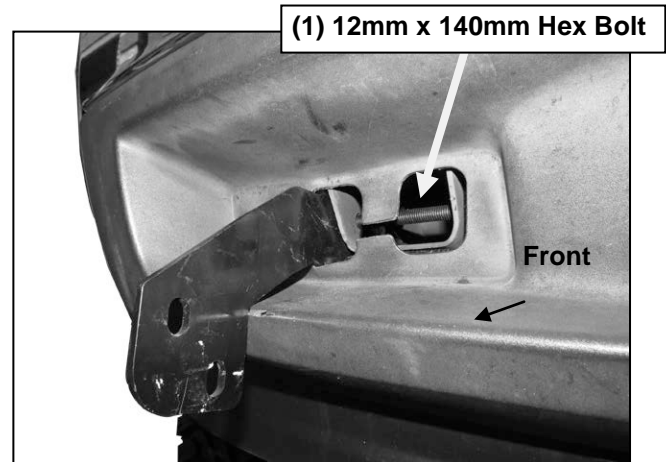
- (1) 12mm Bolt Plate
- (1) 12mm Plastic Retainer
- (1) 12mm x 32mm Flat Washer
- (1) 12mm Lock Washer
- (1) 12mm Hex Nut



- (1) 12mm x 140mm Hex Bolt
- (1) 12mm x 32mm Flat Washer
- (1) 12mm Lock Washer
- (1) 12mm Hex Nut

Fig 8B

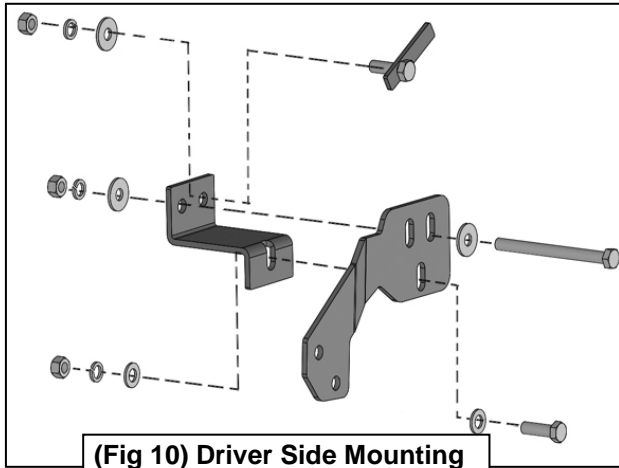
- (1) 12mm x 40mm Hex Bolt
- (1) 12mm x 24mm Flat Washer
- (1) 12mm Lock Washer
- (1) 12mm Hex Nut



- (1) 12mm x 140mm Hex Bolt

(Fig 9) Passenger Side Mounting Bracket installed

Driver Side Mounting Bracket Installation Pictured



(Fig 10) Driver Side Mounting Bracket Illustration Pictured

- (1) 12mm x 140mm Hex Bolt
- (1) 12mm x 32mm Flat Washer
- (1) 12mm Lock Washer
- (1) 12mm Hex Nut

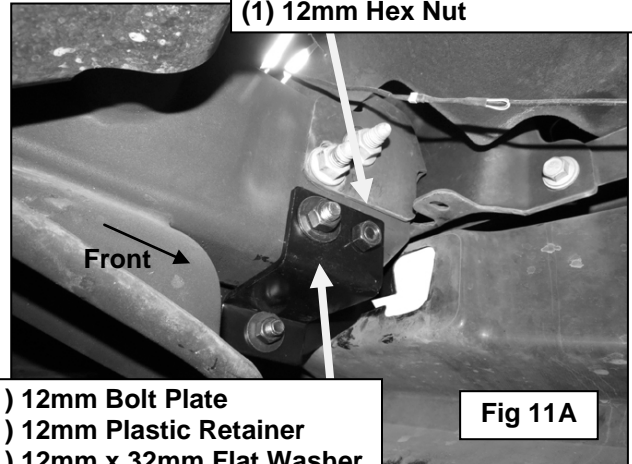


Fig 11A

- (1) 12mm Bolt Plate
- (1) 12mm Plastic Retainer
- (1) 12mm x 32mm Flat Washer
- (1) 12mm Lock Washer
- (1) 12mm Hex Nut

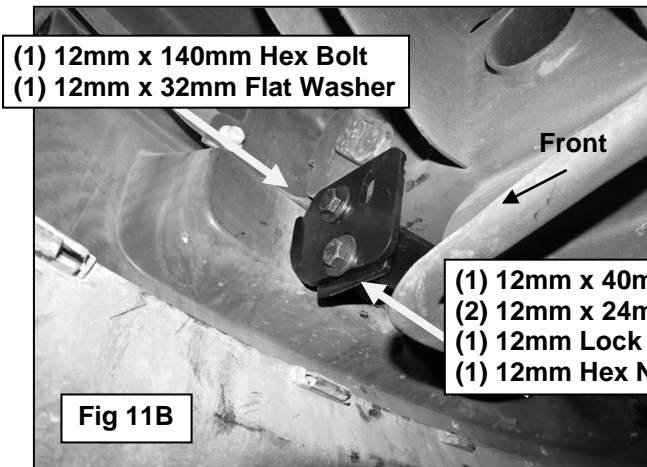


Fig 11B

- (1) 12mm x 140mm Hex Bolt
- (1) 12mm x 32mm Flat Washer

- (1) 12mm x 40mm Hex Bolt
- (2) 12mm x 24mm Flat Washers
- (1) 12mm Lock Washer
- (1) 12mm Hex Nut

Use a pair of needle nose pliers to carefully pinch the top and bottom tab on the clip to release and remove the grille

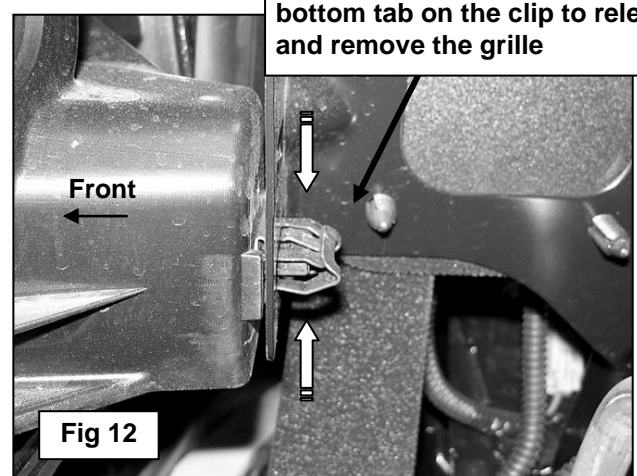
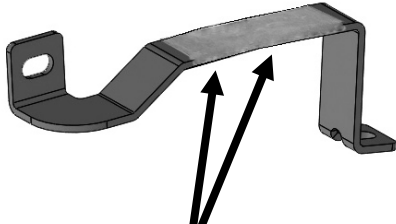
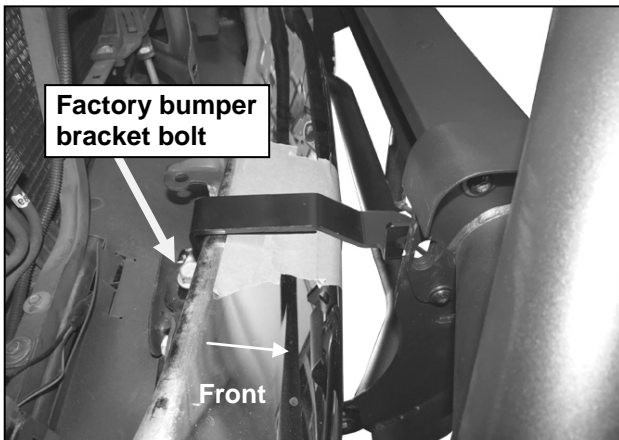


Fig 12

Passenger Side Mounting Bracket Installation Pictured



(Fig 13) Apply adhesive backed Foam Tape to inner and outer surface of Top Brackets to protect factory bumper



(Fig 15) Passenger Side Top Bracket installation pictured without foam for instruction purposes only

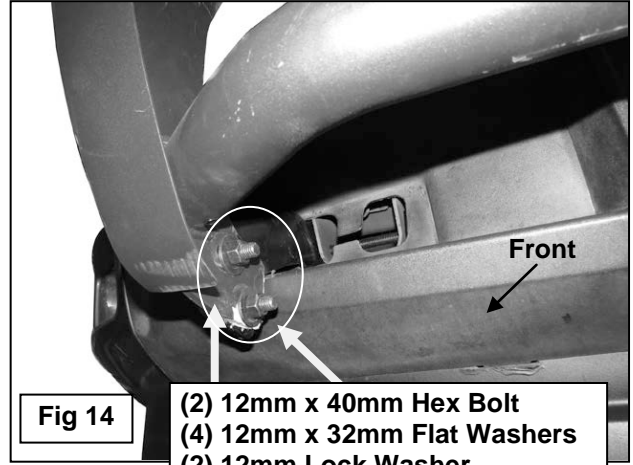


Fig 14

- (2) 12mm x 40mm Hex Bolt
- (4) 12mm x 32mm Flat Washers
- (2) 12mm Lock Washer
- (2) 12mm Hex Nut

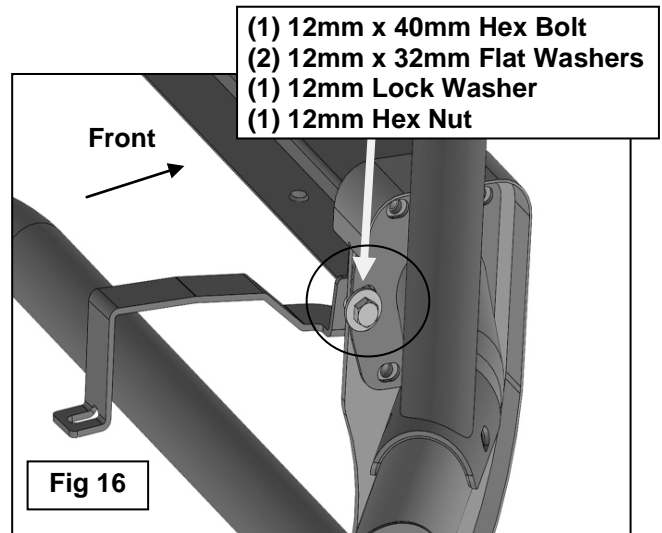


Fig 16

- (1) 12mm x 40mm Hex Bolt
- (2) 12mm x 32mm Flat Washers
- (1) 12mm Lock Washer
- (1) 12mm Hex Nut



Complete Installation