

# INSTALLATION GUIDE



# Power Step

MADE IN USA



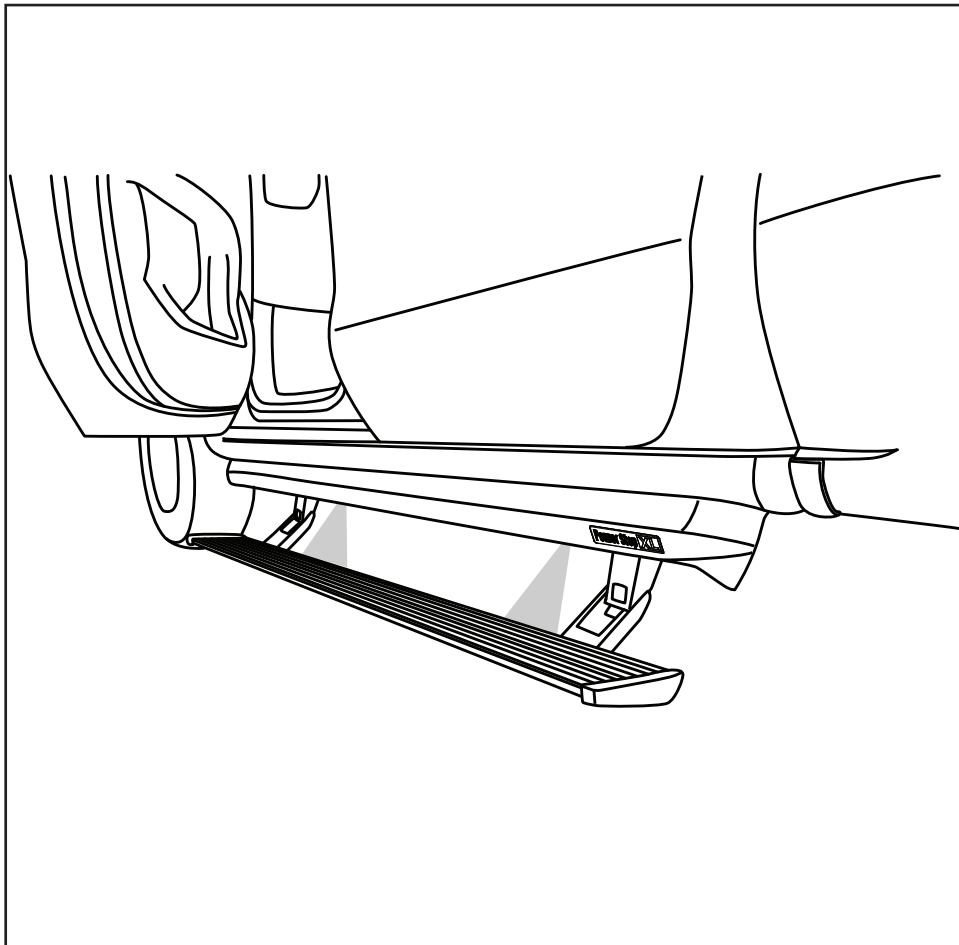
## APPLICATION

## Model Year

## AMP Part#

Chevrolet Silverado	1500 - Crew Cab	2022 - 2023	
GMC Sierra	1500 - Crew Cab	2022 - 2023	77255-01A
Chevrolet Silverado	2500/3500 - Crew Cab	2024	77255-01A
GMC Sierra	2500/3500 - Crew Cab	2024	77255-01A

**Note: The application works only on the Crew Cab model Vehicles.**



### INSTALLATION TIME

**3-5 Hours**

Professional installation recommended

### SKILL LEVEL



4= Experienced

### TOOLS REQUIRED

- Safety goggles
- Measuring tape
- Power Drill
- 10 mm socket
- 13 mm socket
- 1/2" socket
- Ratchet wrench and extension
- Wire crimpers
- Wire stripper / cutter
- 3/16" hex key wrench ( allen wrench )
- 4mm hex key wrench ( allen wrench )
- Electrical tape
- Weather proof caulking (silicone sealer)
- Silicone spray

### WARRANTY

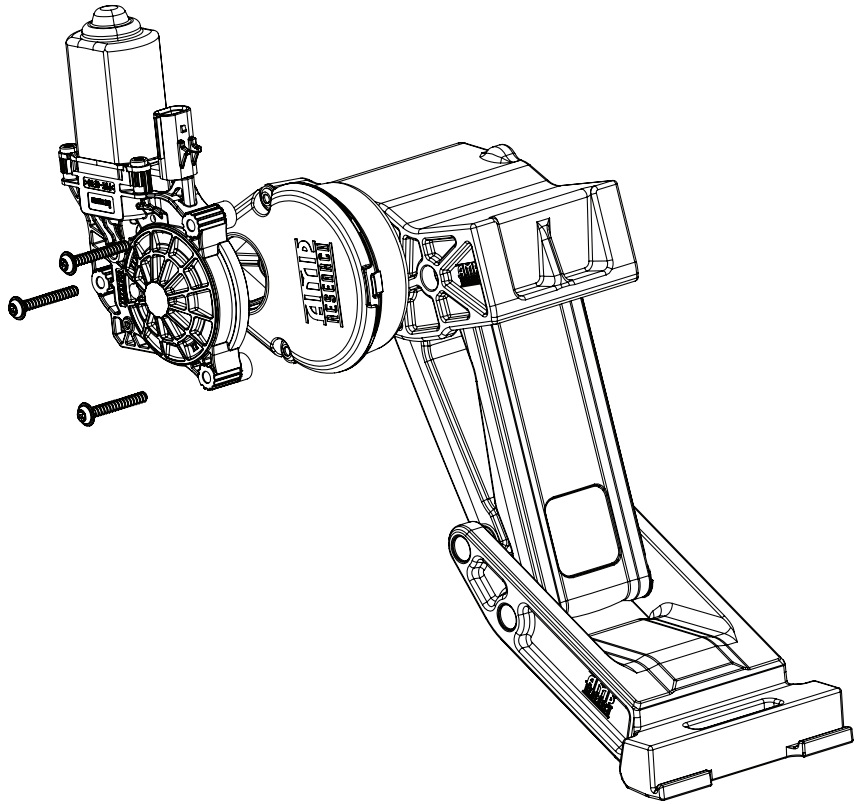
**5-Year Limited Warranty**

**AMP RESEARCH TECH SUPPORT 1-888-983-2204 (Press 2) Monday - Friday, 7:00 AM - 5:00 PM PST**

Invented, engineered and manufactured exclusively by AMP Research in the USA. May be covered by one OR MORE of the following patents: 6,641,158; 6,830,257; 6,834,875; 6,938,909; 7,055,839; 7,380,807; 7,413,204; 7,398,985; 7,584,975; 7,566,064; 7,487,986; 8,157,277; 8,408,571; 9,302,626; 9,561,751; 10,053,017; CA2463717 ©2023 AMP Research. All rights reserved. Printed in USA.

## INSTALLATION GUIDE

Attaching motor to Linkage assembly.



## EXPLODED VIEW

Motor Linkage

Motor Kit

Delta PT screws

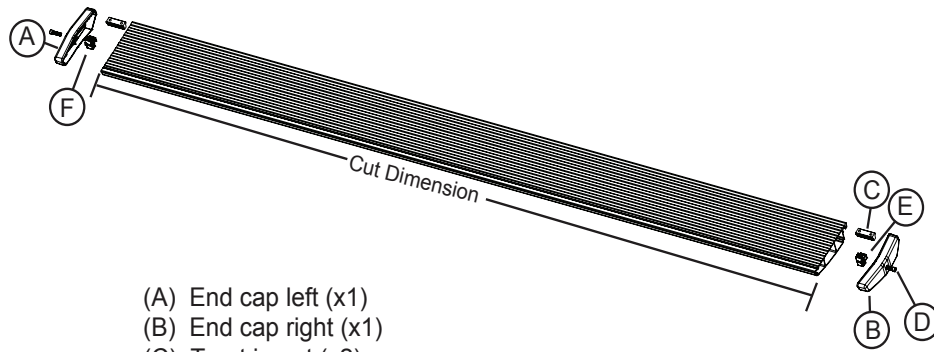
**CAUTION: HANDLE WITH CARE.**

To ensure our customers receive all components with full integrity, we pack the motors separate from their linkage assemblies. This requires that the installer position and fasten the motor before continuing with the install. Please follow the instructions below and handle the assembly carefully.

**CAUTION:** Dropping the assembly or any excessive impact MAY cause damage to the motor.

Instructions:

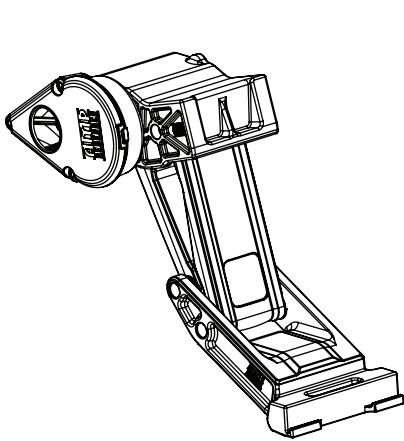
1. Position the gear cover in place as shown if not already in place.
2. Seat motor into position on the three mounting bosses. This may require an adjustment of the gear by moving the swing arms.
3. After seating into place, fasten the motor with the three motor mount screws with 4mm Hex Head. Tighten screws to 36 in-lbs (4N-m). **Do not over torque.**



- (A) End cap left (x1)
- (B) End cap right (x1)
- (C) T-nut insert (x2)
- (D) Socket cap screw (x2)
- (E) End cap wedge right (x1)
- (F) End cap wedge left (x1)

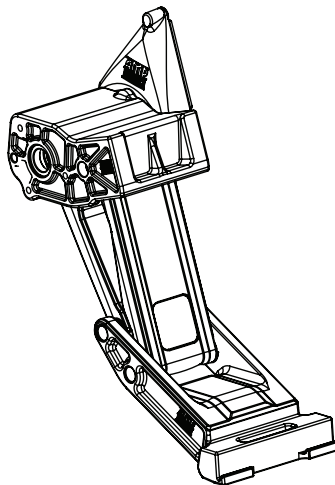
1 x2

Running board assembly



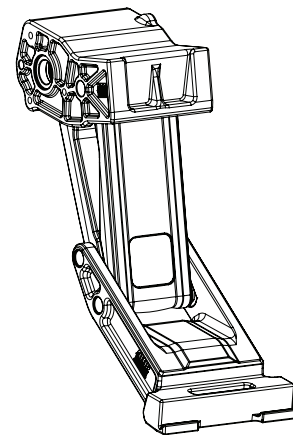
2

Motor Linkage assembly Driver



3

Motor Linkage assembly Passenger



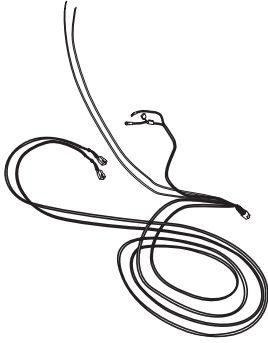
4 x2

Idler Linkage assembly



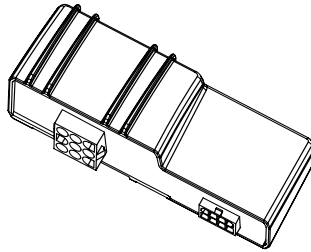
5 x2

Rail Assembly



6

Wire harness



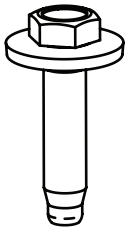
7

Controller STA



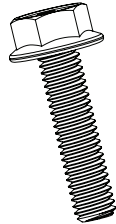
8 x2

Posi-Lock™



9 x20

M8 Hex Bolt w  
Conical washer



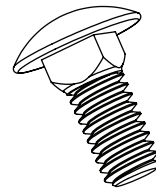
10 x4

M6 Flange Bolt



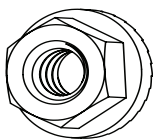
11 x8

Socket Cap  
Screw



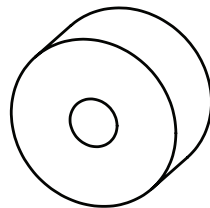
12 x14

5/16-18  
Carriage Bolt



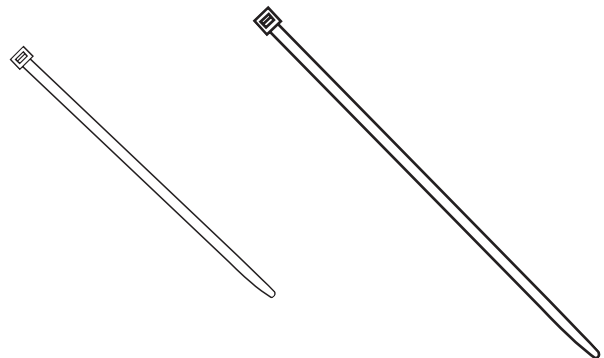
13 x14

5/16-18 Flange nut



14 x4

Upper Mount Spacer

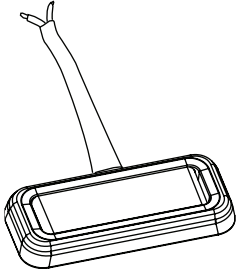


15 x20

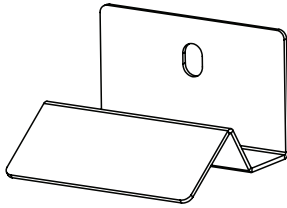
Cable tie (7")

16 x2

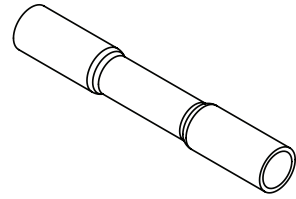
Cable tie (11")



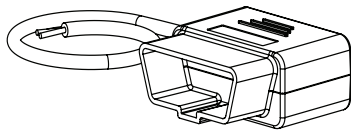
17 x4  
LED Lamp



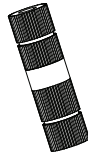
18 x4  
LED Light Bracket



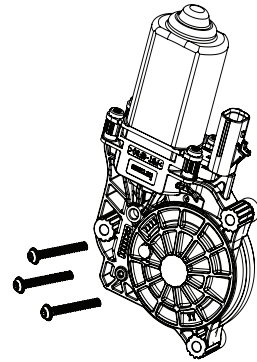
19 x8  
Butt Connector



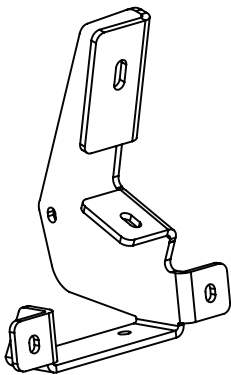
20  
OBD II Plug



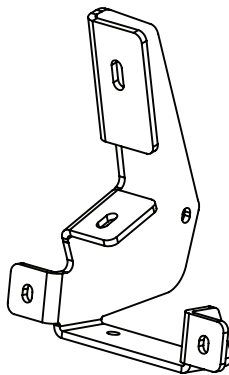
21 x2  
Posi-Tap™  
(Red/Grey)



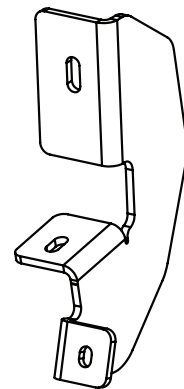
22 x2  
Motor kit



23 x2  
Linkage Mounting  
Bracket (Right)



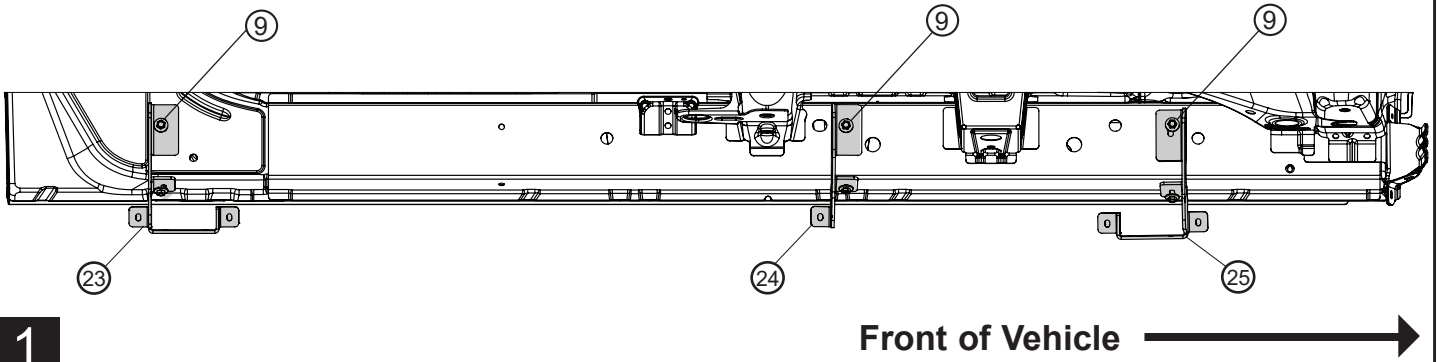
24 x2  
Linkage Mounting  
Bracket (Left)



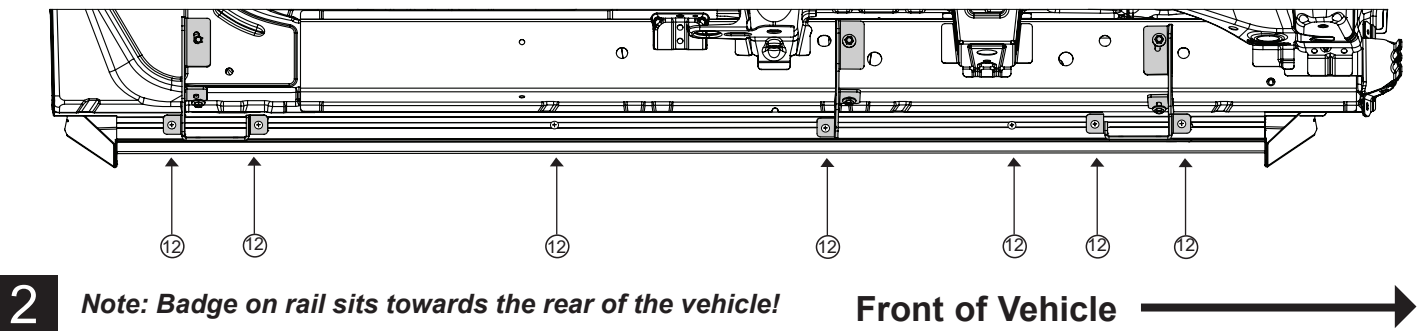
25 x2  
Rail Mounting Bracket

# AMP RESEARCH POWERSTEP™ – CHEVROLET / GMC

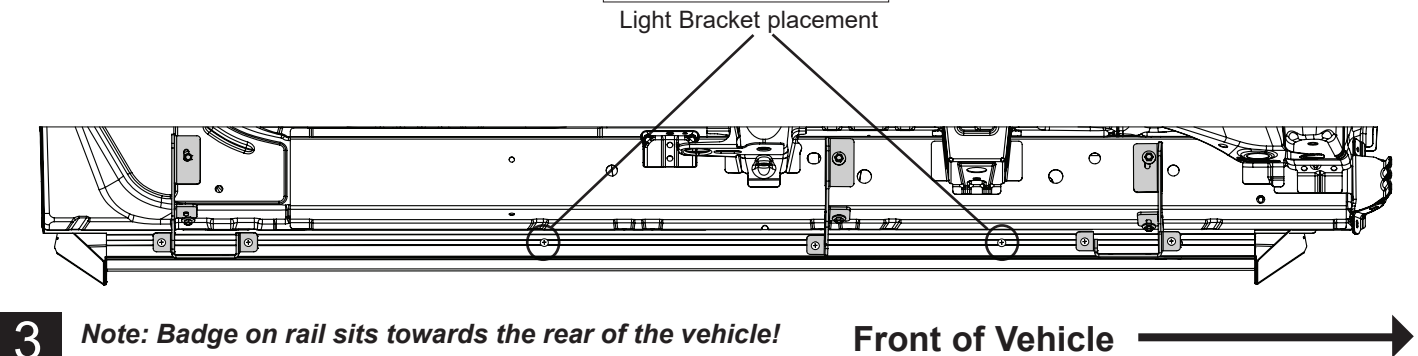
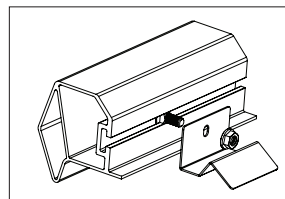
Remove plastic body plugs in three locations shown. Using supplied M8 Conical washer bolts(9), Install brackets(23,24,25) onto truck as shown. Bracket legs face each other. Rail support bracket located between front and rear linkage mounts as shown. Do not tighten to allow for adjustment.



Slide 7 carriage bolts(12) into rail and position them in place to attach brackets leaving the 3rd and 5th bolt in place to use to attach Light Brackets . Use provided flange nuts (15) to attach board to brackets. Do not tighten to allow for adjustment.

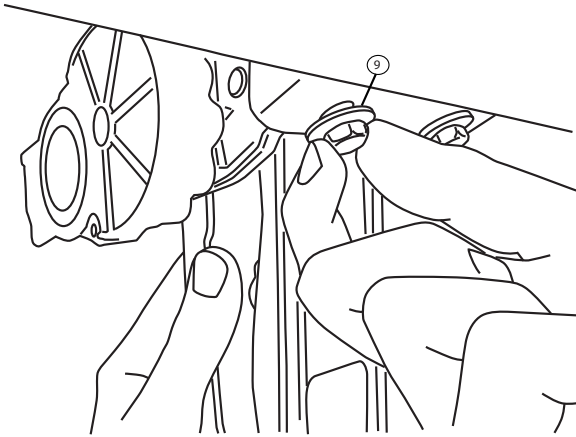


Add Light Bracket (18) to the 3rd and 5th bolt counting from the front side. Insert Flange Nut (13) onto bracket tab to attach light brackets into position shown. Do not tighten to allow for adjustment. Repeat step 1 through 3 on other side.



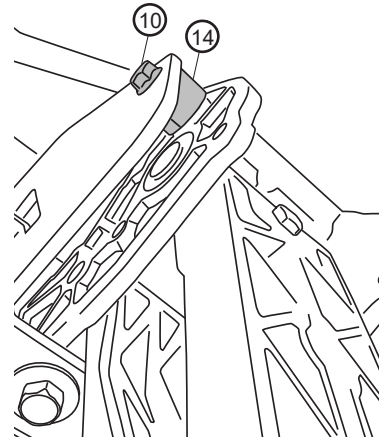
## AMP RESEARCH POWERSTEP™ – CHEVROLET / GMC

Thread supplied bolts 2x (9) into Rear Drive Linkage. Repeat step for Front Idler Linkage. Do not tighten.



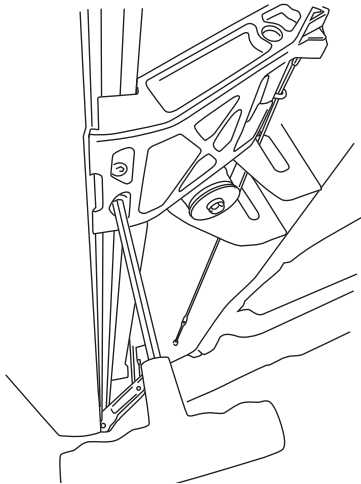
4

Install provided spacer (14) and M6 bolt (10) into upper mount as shown on both the Drive and Idler linkages. Do not tighten.



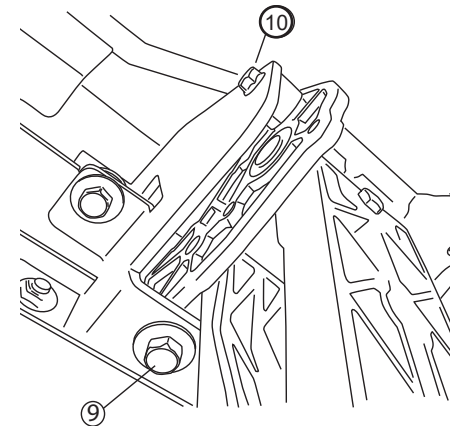
5

Slide mounting T-nut into position, Center board in rail pocket. Tighten fasteners to 10 ft-lbs.



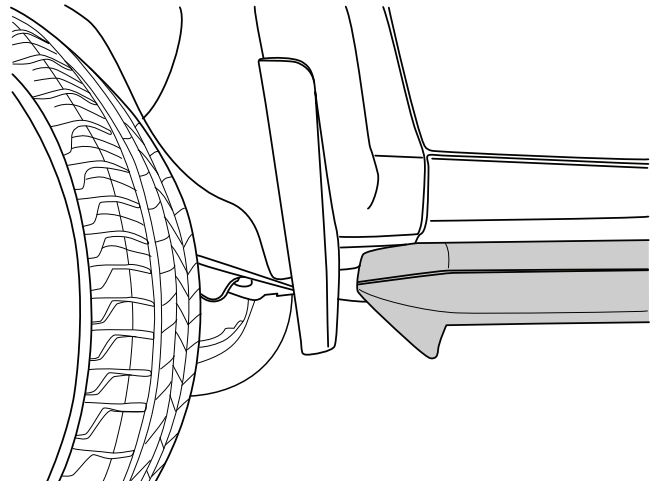
6

Using a 13mm socket Torque linkage bolts 4x (9) from step 4 to 16 ft-lbs Next use a 10mm socket, torque linkage spacer bolt 2x (10) from step 5 to 8 ft-lbs.



7

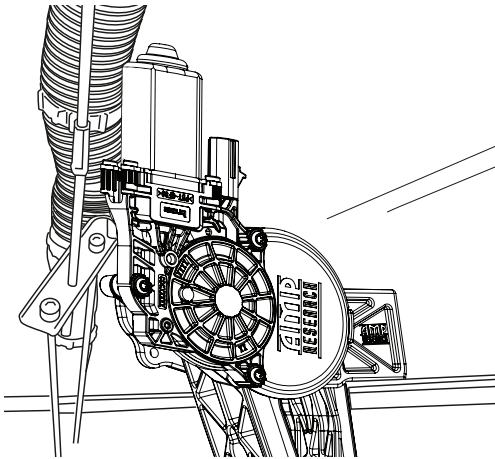
Verify rail clearance at front fender trim and push upwards on rail to ensure rail is snug to the bottom of the linkage mounting bracket. Using a 1/2" socket start at the rear of vehicle and work forward. Torque 5 flange nuts (13) to 16ft-lbs. Tighten mounting bracket hardware from step 1. Torque to 16ft-lbs



8

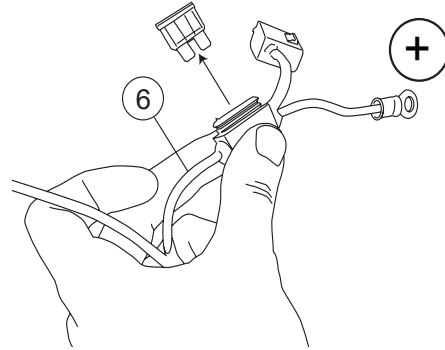


Attach motor to linkage. Using a 4mm hex Torque to 36 in-Lbs.



9

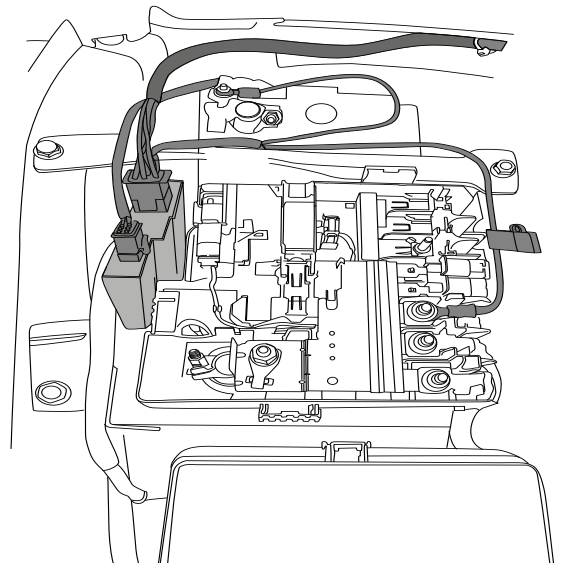
Remove the fuse from the Powerstep wire harness.



10

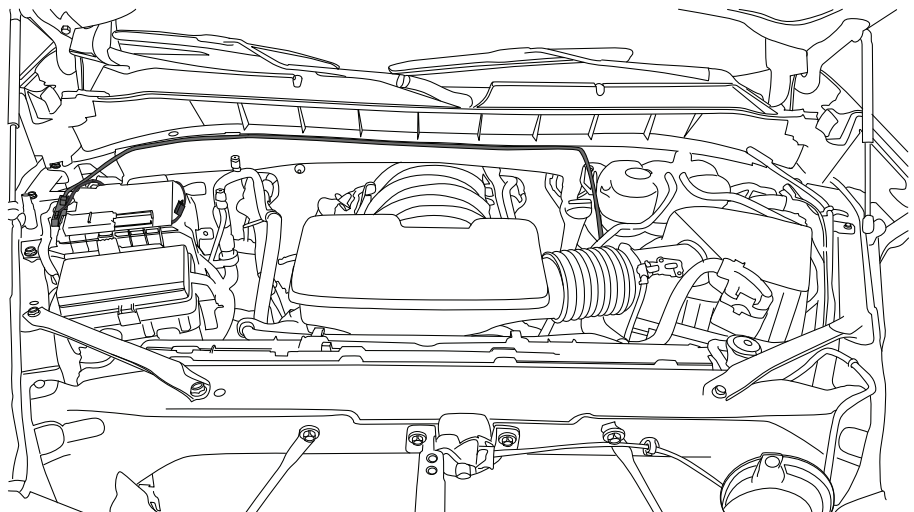
**Remove Negative terminal on battery to prevent a CEL when removing Connectors under dash in step 13. A loss of communication code may appear if battery is not disconnected.**

Attach wire harness to controller and ensure locking tabs engage. Remove the cover on the battery top box. Connect the Red wire to the stud on the positive power battery cable terminal. Secure controller with supplied 11" cable Ties(16). Black wire will be attached to negative Terminal accessory stud when battery is reconnected on Step 19.



11

Route the long wire harness leg across the truck under the edge of the cowl (zip tied thru the push rivet slots on the bottom), and then down to the outside of the frame away from the exhaust and steering, cable ties(15) it in place. The other leg shall go down immediately away from the exhaust and to the frame area. Cable tie as needed.

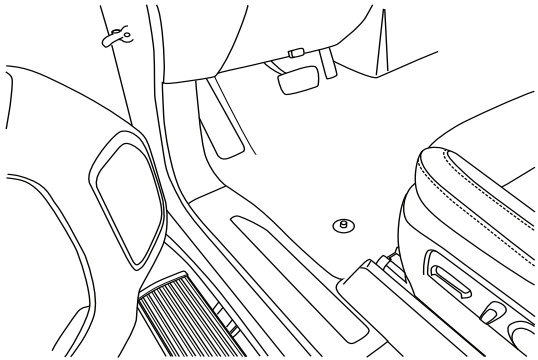


12



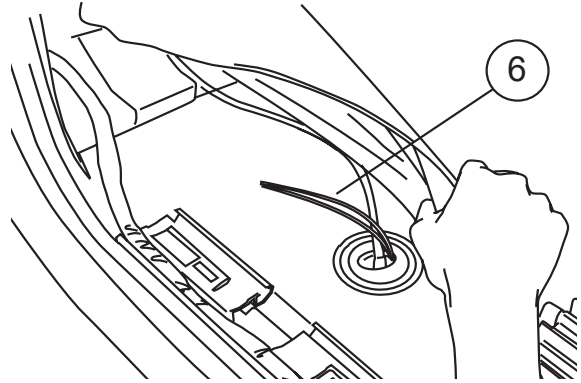
## AMP RESEARCH POWERSTEP™ – CHEVROLET / GMC

Remove the driver side door sill trim and and kick panel carefully. Pull up the carpet, and poke a small screwdriver through the rubber insulation material.



13

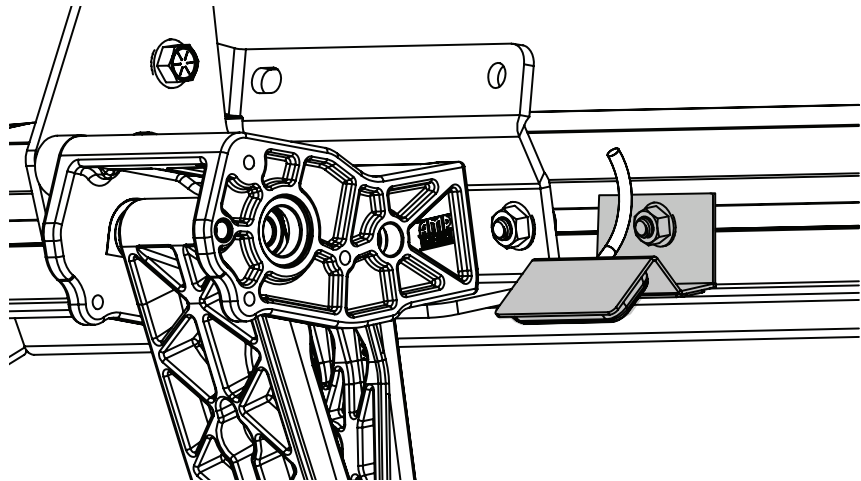
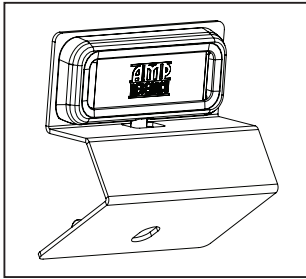
Route wire harness along the frame and back towards rear linkages. Secure with zip ties. Push both wires through rubber grommets.



14

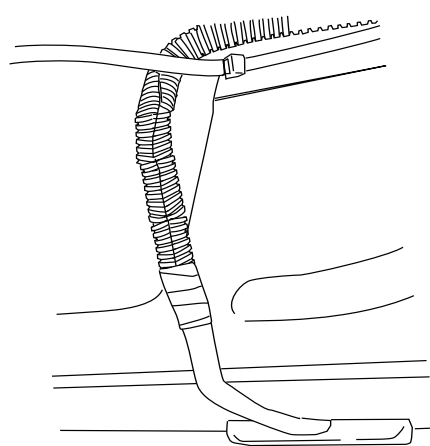
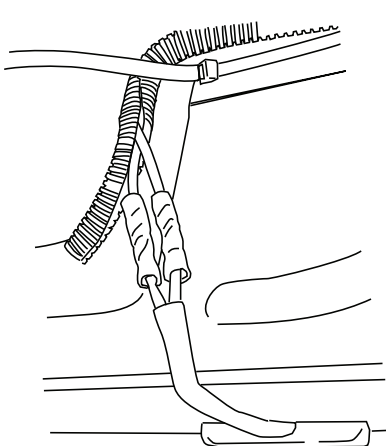
**NOTE: Seal holes with silicone glue and cover with tape so carpet does not stick to glue.**

Affix LED lamp (17) to LED Bracket (18) that was installed in step 3. Slide bracket into desired position and tighten using 5/32" Allen key.



15

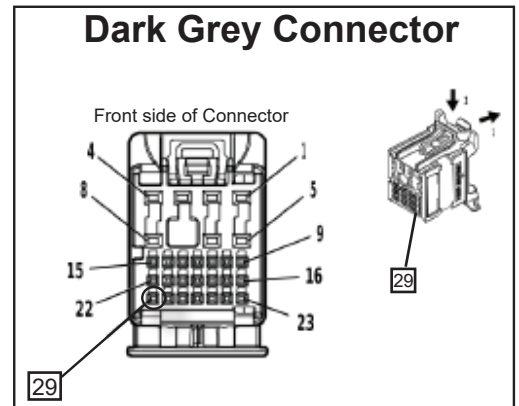
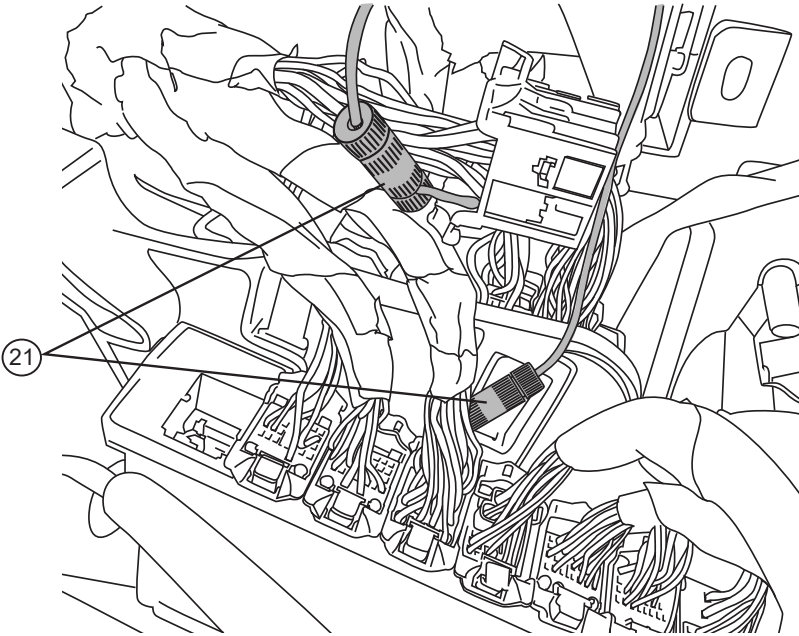
Using supplied butt connectors (19), connect the lamp wires. Red to Red, Black to Black. Once Crimped use heat gun to shrink tube. Close and wrap conduit with electrical tape. Secure all loose wires with cable ties. Pull lamp wires upward to avoid any wire snagging.



16

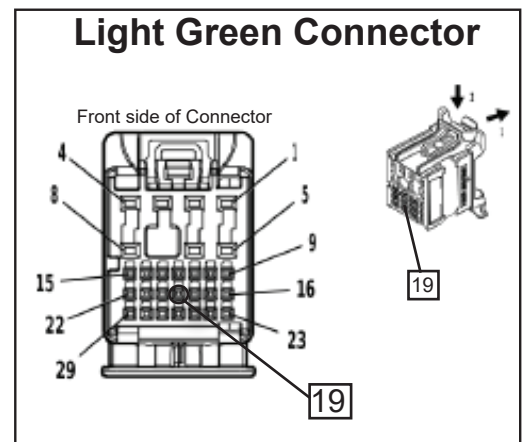
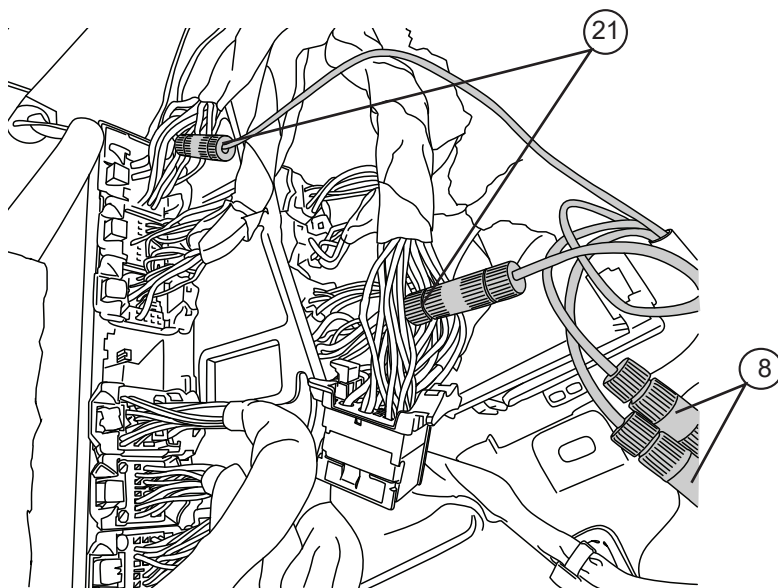
In driver side kick panel area, locate bank of 8 plugs. Locate the light grey connector and the light green connector.

a. On dark grey connector, locate the **Light Green/Grey stripe** wire located in pin location 29. Use supplied Posi-tap™ (21) and connect the blue wire from the OBD module.



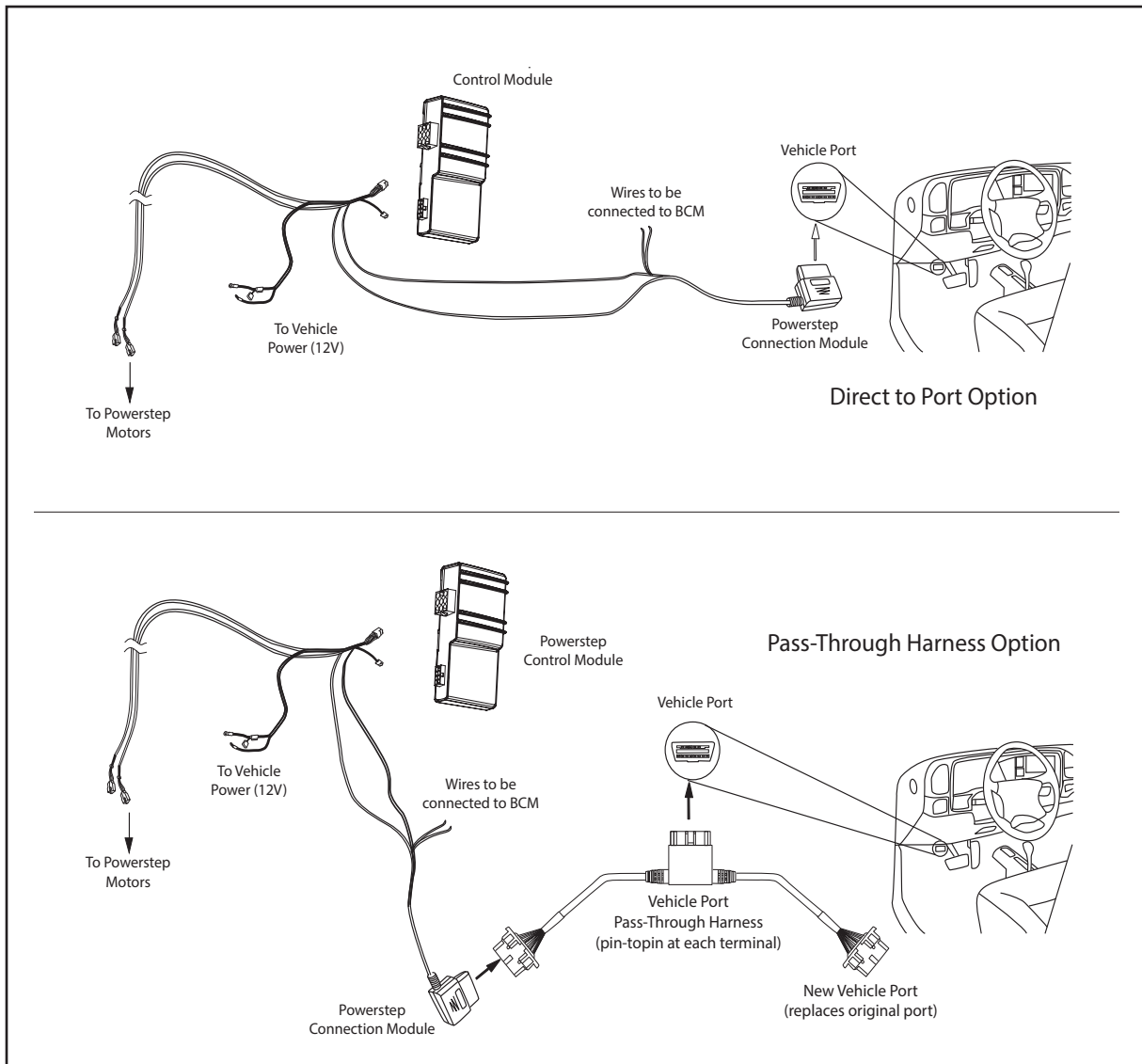
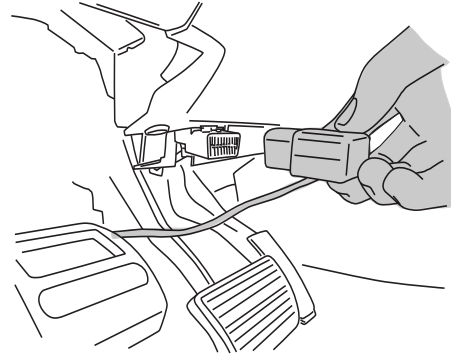
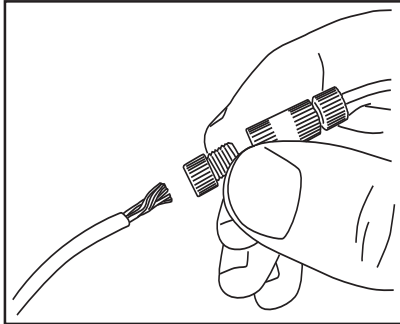
b. On light green connector, locate the **Green/Yellow stripe** wire located in pin location 19. Use supplied Posi-tap™ (21) connector and connect the white wire from the OBD module.

See next step for Posi-lock™ (8) install instructions.

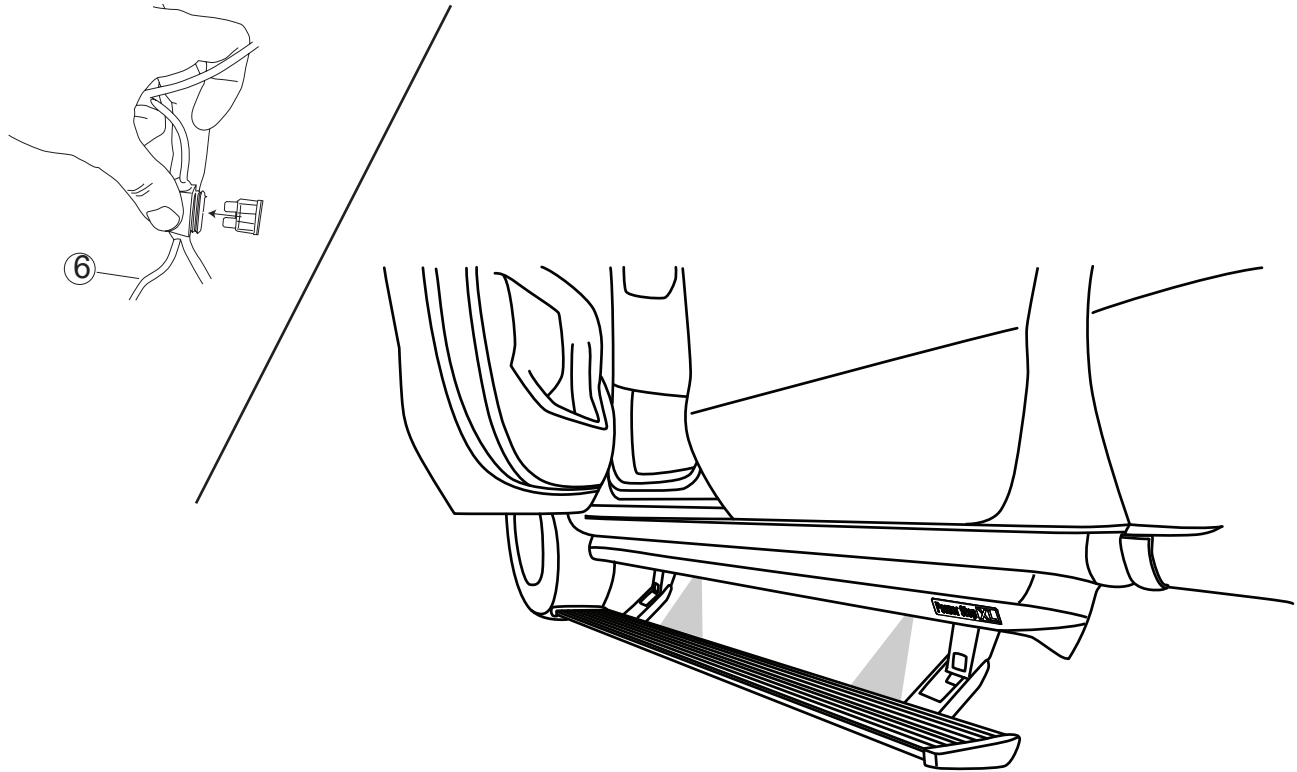


**OBD II install:** Use Supplied Posi Twist connectors to attach the Plug and Play Module to the Harness. Attach matching colors on the harness to the wires on the module. Plug in module to OBD II port on the vehicle. Secure harness with supplied tie wraps.

**Note:** If the OBD II pass thru harness (76404-01A) was purchased see install sheet supplied in packaging. The pass through harness allows for an open port for other accessories. See next page for a brief description.



Reconnect Negative battery terminal and attach black wire to terminal. Check that all doors activate the Power Step and the LED Lights work when doors open and close. Reinstall any remaining trim panels.



#### FINAL SYSTEM CHECK

Check that all doors activate the PowerStep and the LED lights work when doors open and close.

**NORMAL OPERATION:** When the doors open, PowerStep automatically deploys from under the vehicle. When the doors are closed, PowerStep will automatically return to the stowed/retracted position. **Note that there is a 2-second delay before the PowerStep returns to the stowed/retracted position.**

**CORRECT OPERATION OF LIGHTS:** All four lamps will illuminate upon opening any door of vehicle. Lamps will stay on until restowing of both Power Steps or until 5 minutes has expired with the doors open. When the lights timeout after 5 minutes, they can be reilluminated by closing and opening any door of vehicle.

# **AMP** **RESEARCH** **Power Step**™

**AMERICAN DESIGNED, ENGINEERED AND MANUFACTURED.**

**Thank you for your recent AMP Research Purchase.**

## **REGISTER YOUR PRODUCT TODAY FOR FASTER SERVICE & PRODUCT UPDATES**

Please visit:

**[www.amp-research.com/productregistration](http://www.amp-research.com/productregistration)**  
or scan the QR Code



### **Product Registration Benefits:**

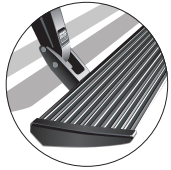
- Ensure we have your purchase receipt and product info in our system which is required for warranty
- Faster and easier access to customer service and tech support in the unlikely event you need warranty or product support
- Registration helps us keep you up to date on product information and offers

To view other Amp Research products that may be offered for your vehicle.

**Please visit: [www.amp-research.com](http://www.amp-research.com)**

Rev 01.05.21

**POWER-DEPLOYABLE RUNNING BOARDS OPERATION:** AMP Research PowerStep running boards automatically move when the doors are opened to assist entering and exiting the vehicle.



**Automatic power deploy:**

The running boards will extend down and out when the doors are opened.

**Automatic power stow:**

The running boards will return to the stowed position when the doors are closed. There will be a 2-second delay before the running boards move to the stowed position.

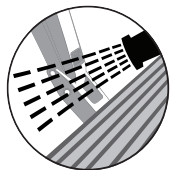
**Automatic stop:**

If an object is in the way of the moving running board, the running board will automatically stop. To reset, clear any obstruction, then simply open and close the door to resume normal operation.



**Manually set in the deployed (OUT) position for access to the roof:**

The running boards can be manually set in the deployed position by firmly holding the step down with your foot while at the same time closing the door. To resume normal operation, open and close the door.



**Maintenance:** In adverse conditions, debris such as mud, dirt, and salt may become trapped in the running board mechanism, possibly leading to unwanted noise. If this occurs, manually set the running boards to the deployed position and flush the front and rear hinge arms with a high-pressure car wash wand.

Avoid spraying the motors directly. After washing, apply silicone spray lubricant to the hinge pivot pins. Do not apply silicone, wax or protectants like Armor All® to the running board stepping surface.

Caution! Keep hands away when the running board is in motion.

## 5-YEAR LIMITED WARRANTY

AMP RESEARCH warrants this product to be free from defects in material and workmanship for FIVE (5) YEARS FROM DATE OF PURCHASE, provided there has been normal use and proper maintenance. This warranty applies to the original purchaser only. All remedies under this warranty are limited to the repair replacement of the product itself, or the repair or replacement of any component part thereof, found by the factory to be defective within the time period specified. The decision to repair or replace is wholly within the discretion of the manufacturer.

This warranty specifically excludes labor. If you have a warranty claim, first you must call our factory at the number below for instructions. You must retain proof of purchase and submit a copy with any items returned for warranty work. Upon completion of warranty work, if any, we will return the repaired or replaced item or items to you freight prepaid. Damage to our products caused by accidents, fire, vandalism, negligence, misinstallation, misuse, Acts of God, or by defective parts not manufactured by us, is not covered under this warranty.

ANY IMPLIED WARRANTIES OF MERCHANTABILITY AND/OR FITNESS FOR A PARTICULAR PURPOSE CREATED HEREBY ARE LIMITED IN DURATION TO THE SAME DURATION AND SCOPE AS THE EXPRESS WRITTEN WARRANTY. OUR COMPANY SHALL NOT BE LIABLE FOR ANY INCIDENTAL OR CONSEQUENTIAL DAMAGE.

Some states do not allow limitations on how long an implied warranty lasts, or the exclusion or limitation of incidental or consequential damages, so the above limitations or exclusions may not apply to you. This warranty gives you specific legal rights, and you may also have other rights that vary from state to state.

FOR WARRANTY ISSUES WITH THIS PRODUCT PLEASE CALL AMP RESEARCH TECH SUPPORT 1-888-983-2204

## WARNING

Be sure to read and precisely follow the provided instructions when installing this product. Failure to do so could place the vehicle occupants in a potentially dangerous situation. After installing or reinstalling, re-check to insure that the product is properly installed.



The material that your product is made from can be recycled. Please also consider recycling the packaging that your product came in.

