

INSTALLATION GUIDE



Power Step

MADE IN USA



APPLICATION

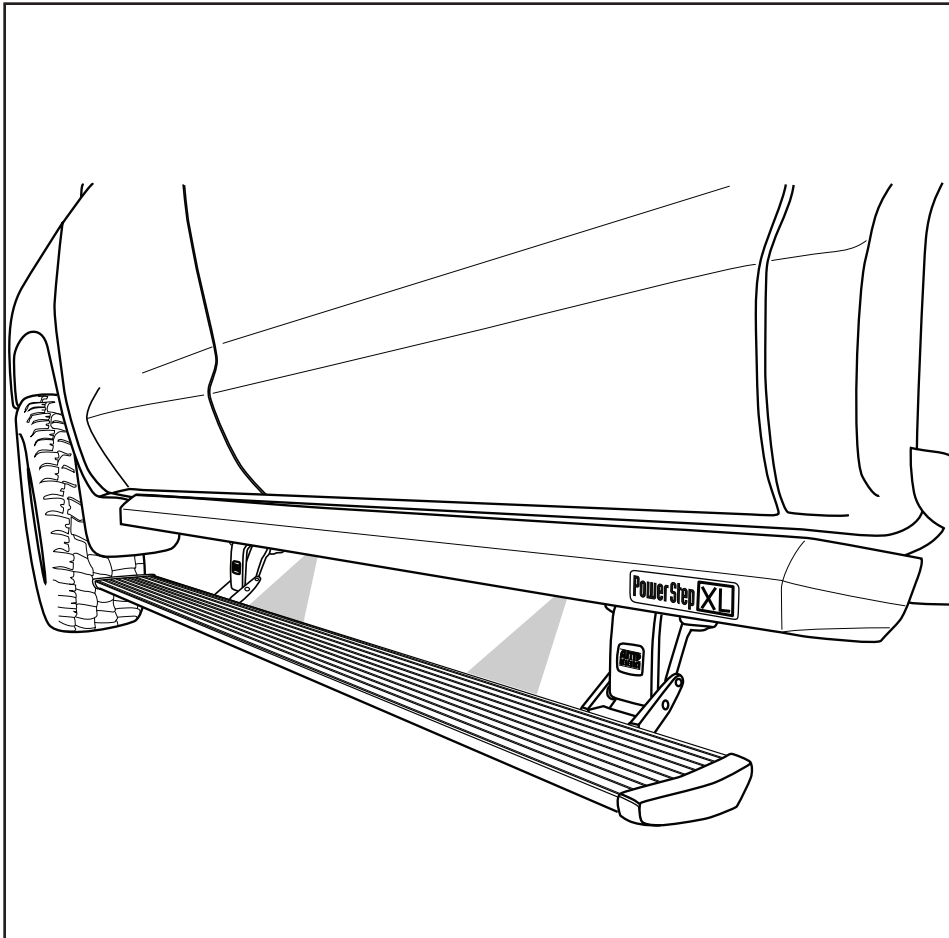
MODEL YEAR

AMP Part #

Ford F150 - SuperCrew, Lightning, Raptor & Raptor R
Does not fit Powerboost

2021-2023

77152-01A



INSTALLATION TIME

3-5 Hours

Professional installation recommended

SKILL LEVEL



4= Experienced

TOOLS REQUIRED

- Safety goggles
- Measuring tape
- 10 mm socket
- 13 mm socket
- 1/2" socket
- Ratchet wrench and extension
- Wire crimpers
- Wire stripper / cutter
- 3/16" hex key wrench (allen wrench)
- 4mm hex key wrench (allen wrench)
- Electrical tape
- Weather proof caulking (silicone sealer)
- Silicone spray
- 5/32" Allen Key

WARRANTY

5-Year Limited Warranty

AMP RESEARCH TECH SUPPORT 1-888-983-2204 (Press 2) Monday - Friday, 7:00 AM - 5:00 PM PST

Invented, engineered and manufactured exclusively by AMP Research in the USA. May be covered by one OR MORE of the following patents: 6,641,158; 6,830,257; 6,834,875; 6,938,909; 7,055,839; 7,380,807; 7,413,204; 7,398,985; 7,584,975; 7,566,064; 7,487,986; 8,157,277; 8,408,571; 9,302,626; 9,561,751; 10,053,017; CA2463717 ©2012 AMP Research. All rights reserved. Printed in USA.

INSTALLATION GUIDE

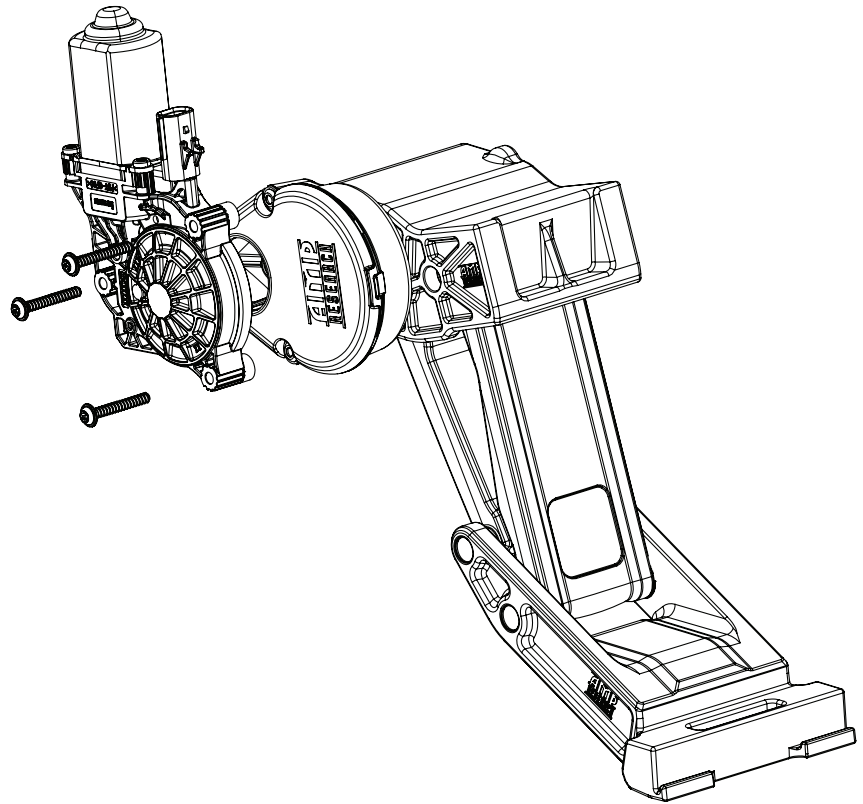
Attaching motor to Linkage assembly.

EXPLODED VIEW

Motor Linkage

Motor Kit

Delta PT screws



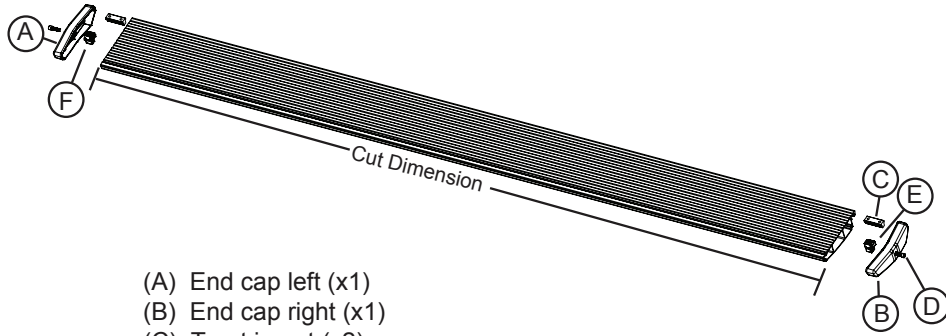
CAUTION: HANDLE WITH CARE.

To ensure our customers receive all components with full integrity, we pack the motors separate from their linkage assemblies. This requires that the installer position and fasten the motor before continuing with the install. Please follow the instructions below and handle the assembly carefully.

CAUTION: Dropping the assembly or any excessive impact MAY cause damage to the motor.

Instructions:

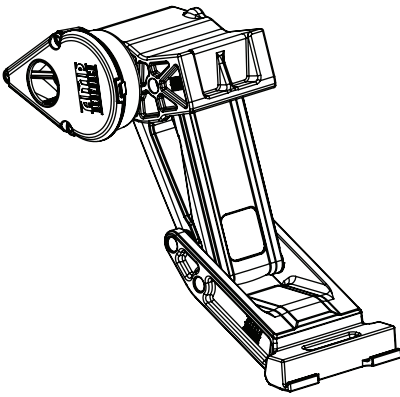
1. Position the gear cover in place as shown if not already in place.
2. Seat motor into position on the three mounting bosses. This may require an adjustment of the gear by moving the swing arms.
3. After seating into place, fasten the motor with the three motor mount screws with 4mm Hex Head. Tighten screws to 36 in-lbs (4N-m). **Do not over torque.**



- (A) End cap left (x1)
- (B) End cap right (x1)
- (C) T-nut insert (x2)
- (D) Socket cap screw (x2)
- (E) End cap wedge right (x1)
- (F) End cap wedge left (x1)

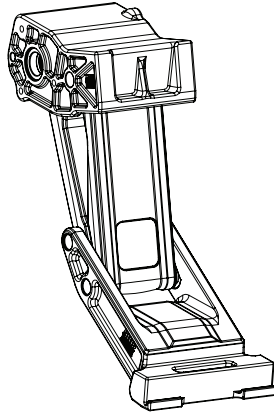
1 x2

Running board assembly



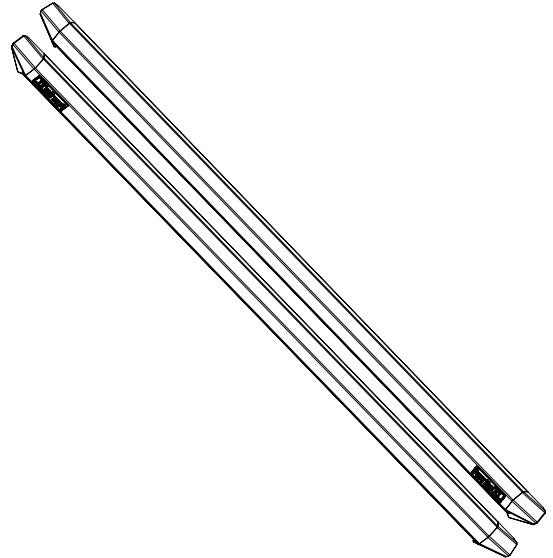
2 x2

Motor Linkage assembly



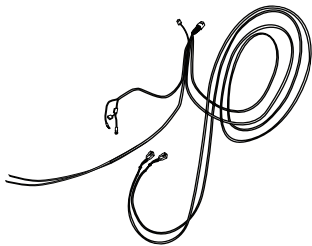
3 x2

Idler Linkage assembly



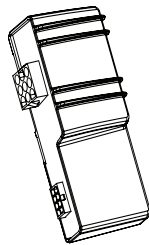
4 x2

Rail Assembly



5

Wire harness



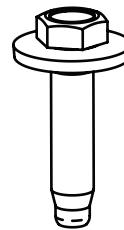
6

Controller STA



7 x2

Posi-Lock™



8 x8

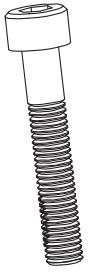
M8 Hex Bolt w
Conical washer



9 x16

M8 Nut w Conical
washer

AMP RESEARCH POWERSTEP XL™ – FORD F150



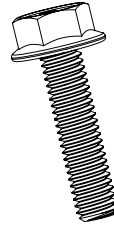
10 x6
M5 Hex Bolt



11 x6
M5 Washer



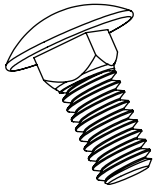
12 x4
M6 Flange Bolt



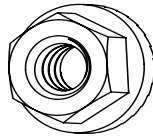
13 x6
5/16 Flange Bolt



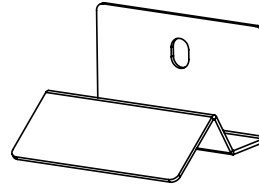
14 x8
Socket Cap Screw



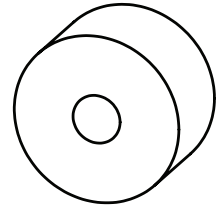
15 x14
5/16-18
Carriage Bolt



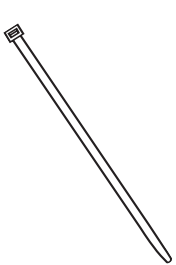
16 x20
5/16-18
Flange nut



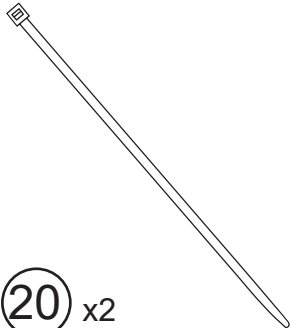
17 x4
LED Light Bracket



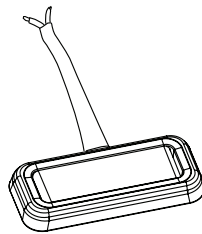
18 x4
Upper Mount
Spacer



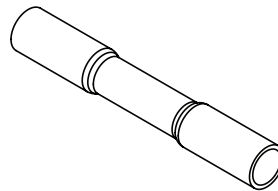
19 x20
Cable tie (7")



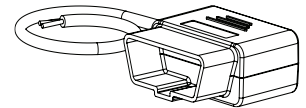
20 x2
Cable tie (11")



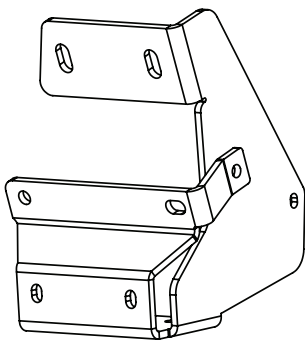
21 x4
LED Lamp



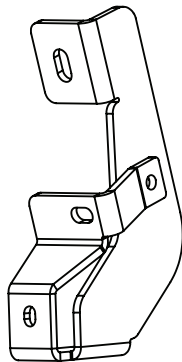
22 x8
Butt Connector



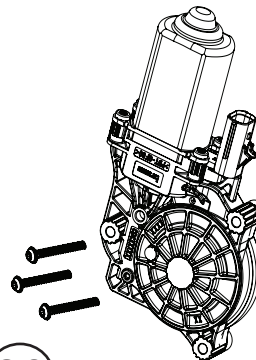
23
OBD II Plug



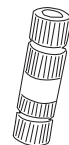
24 x4
Linkage Mounting
Bracket



25 x2
Rail Mounting
Bracket



26 x2
Motor kit

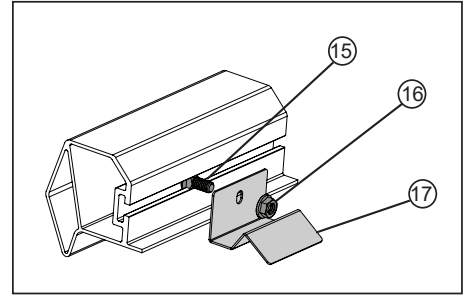
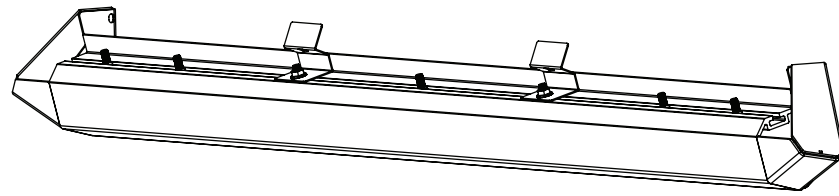


27 x2
Posi-Tap™ (Red)

AMP RESEARCH POWERSTEP XL™ – FORD F150

Insert 7 Carriage bolts (#15) into slot on rail (#4) from either end of rail. Add Light Bracket (#17) on the 3rd and 5th bolt. Insert Flange nut (#16) onto bracket tab to attach light brackets into position shown. Dimensions shown are for reference. Leave loose to allow for adjustment.

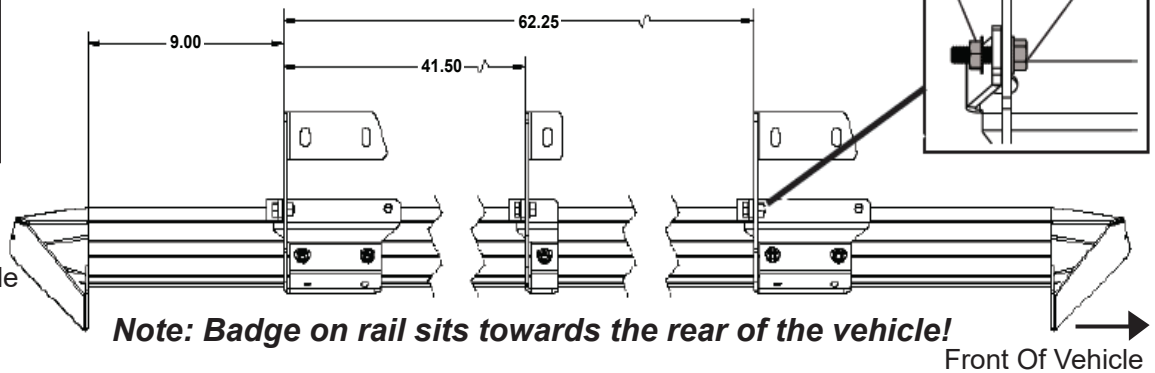
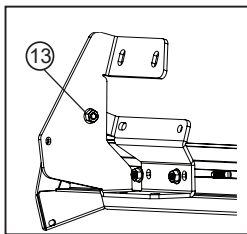
Driver side shown.



1

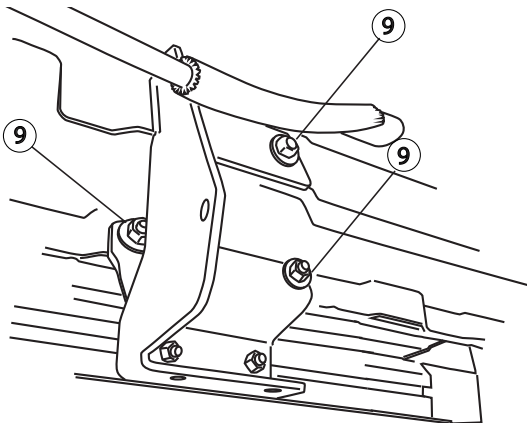
Using Flange Nuts (#16), assemble Brackets 2x (#24) & 1x (#25) onto the rail (#4), using the Carriage Bolts (#15) left from previous step (see image below for bracket placement). Next, install Flange Bolt (#13) and Flange Nut (#16) onto bracket tab. Driver side shown. Dimensions shown are for reference.

Do not tighten this will allow for rail adjustment when mounted onto vehicle.



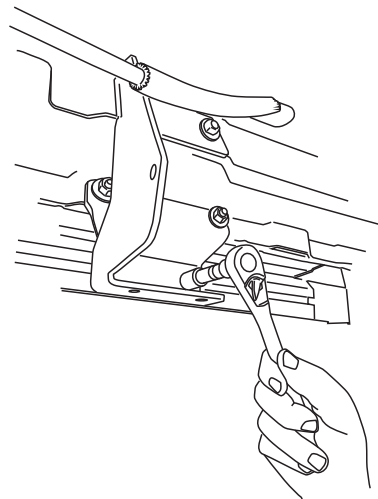
2

Set rail up into position. Starting with the rear bracket work towards the two front brackets. Slide Brackets over captive studs and use provided Nuts 8x (9). Snug to body.



3

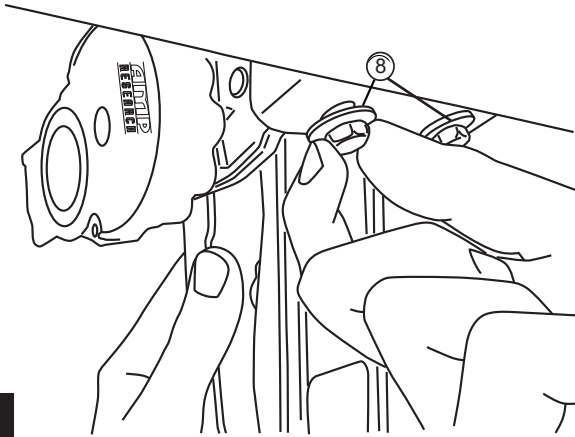
Start from rear of vehicle and Torque 5x Flange Nuts (#16) to 16 ft-lbs.



4

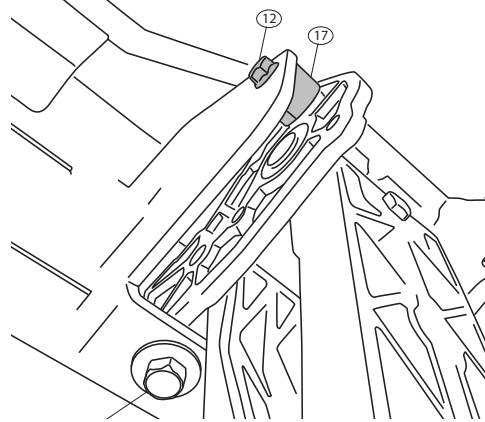
AMP RESEARCH POWERSTEP XL™ – FORD F150

Thread supplied bolts 2x (8) into Front Drive Linkage. Repeat step for Rear Idler Linkage. Do not tighten.



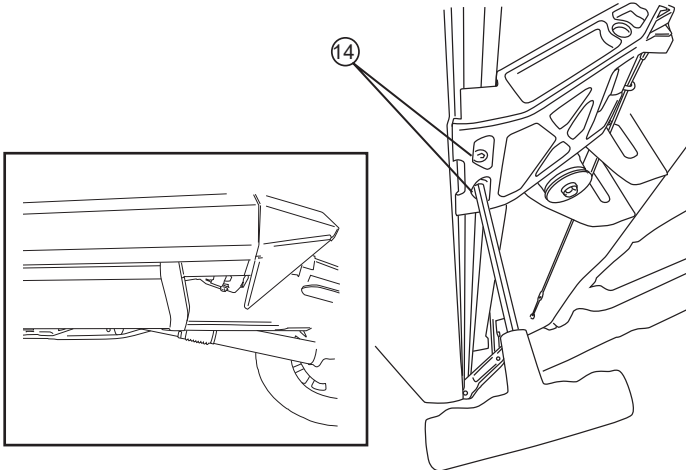
5

Install provided spacer (17) and M6 bolt (12) into upper mount as shown on both the Drive and Idler linkages. Do not tighten.



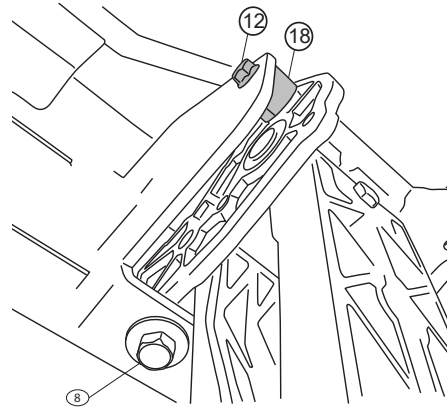
6

Slide mounting T-nut into position, Center board in rail pocket. Tighten fasteners to 10 ft-lbs.



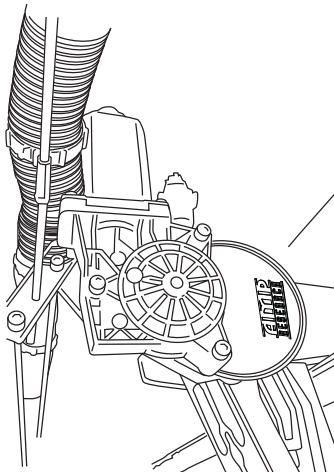
7

Using a 13mm socket Torque linkage bolts 4x (8) from step 5 to 16 ft-lbs. Next use a 10mm socket, torque linkage spacer bolt 2x (12) from step 6 to 8 ft-lbs. Once linkages are tight cycle board to verify steps deploy under own weight.



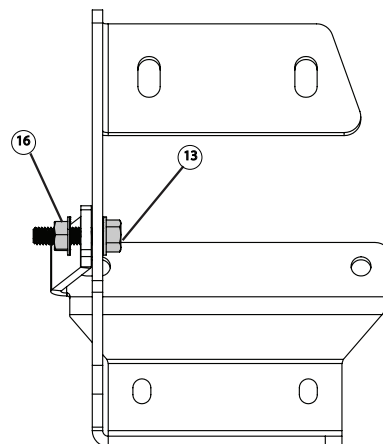
8

Attach motor to harness. Using a 4mm hex Torque to 36 in-Lbs.



9

Torque bolts on mounting brackets to 16ft-lbs.

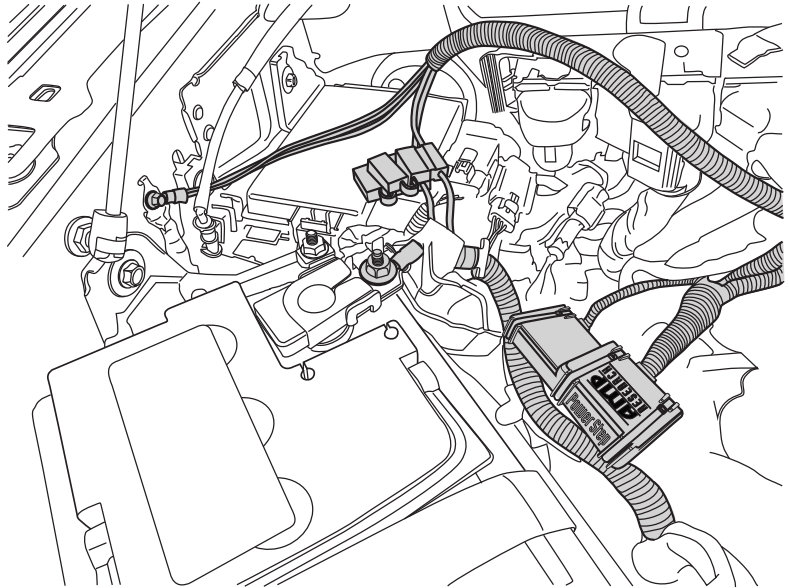
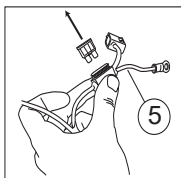


10

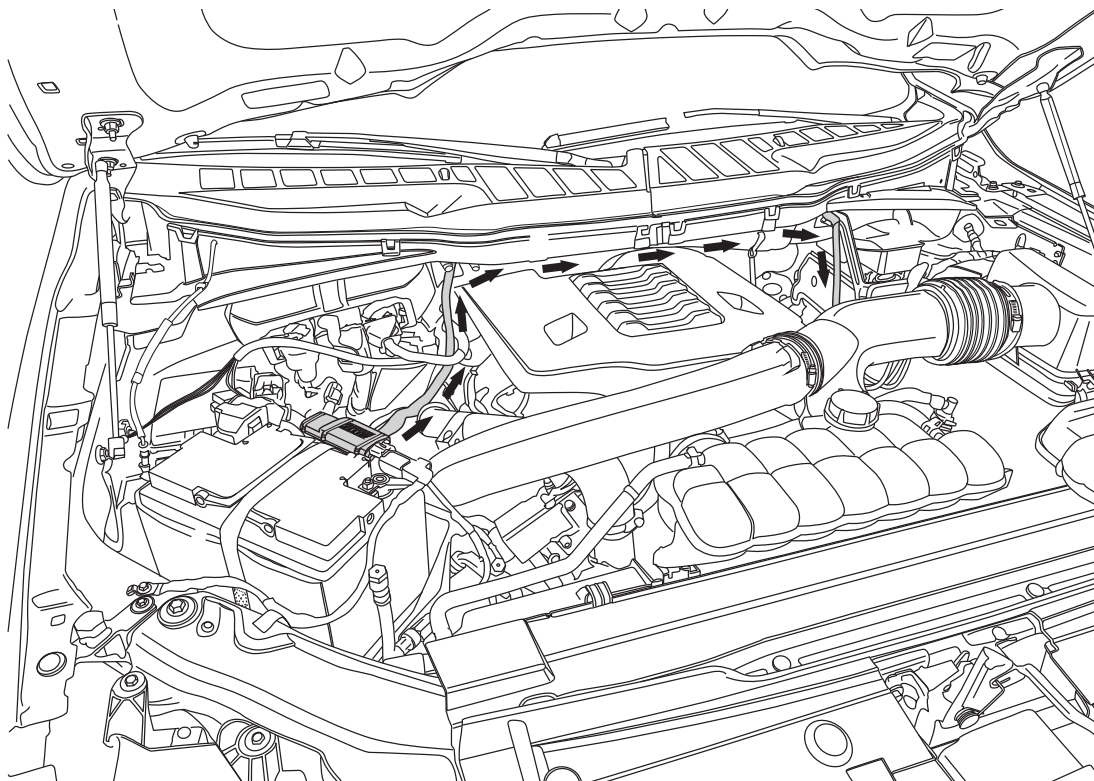
Note: For Lightning wiring skip to step 13

Connect red power lead to battery. Connect black ground lead to 13mm bolt outside of fender wall. Attach wire harness (5) to controller (6) (make sure the connector locking tabs fully engage). Mount controller with the two 11" tie wraps (20) to factory conduit, just forward of battery.

Remove fuse from wire harness

**11**

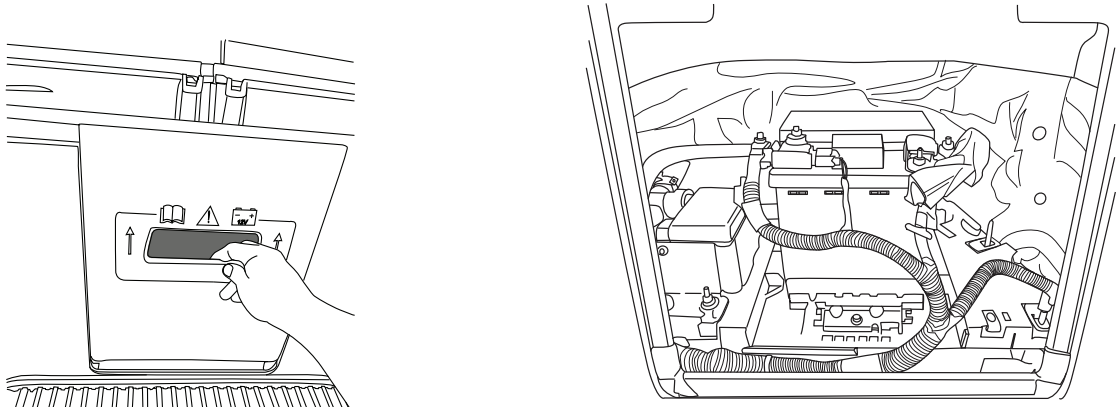
Route shorter leg of harness down Driver-side wheel well and longer leg of harness down along driver side wheel well. Attach wire harness with supplied 7" cable ties (19).

**12**

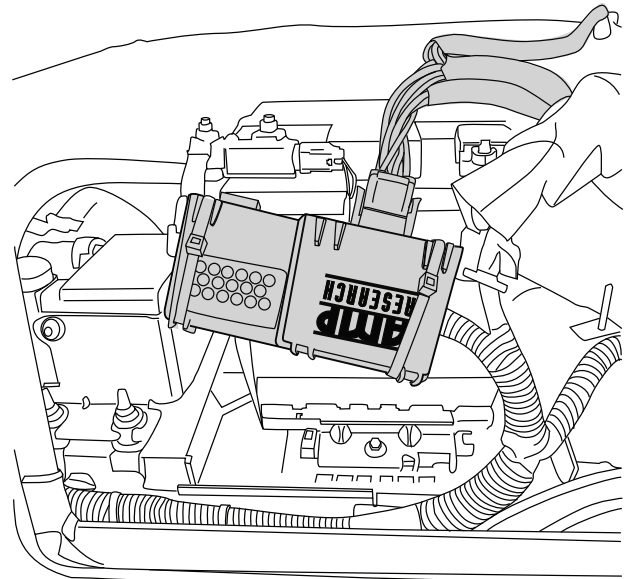
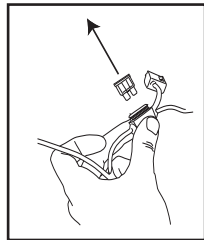
Gas models skip next page, go to step 16.

Lightning Models ONLY, follow steps 13 through 15 then proceed to step 16.

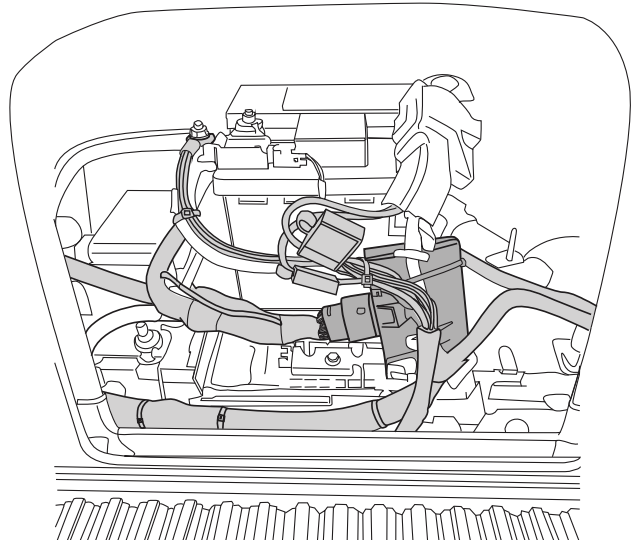
Open Frunk of vehicle and lift battery access cover up and out.

13

Locate battery and connect red power lead to battery. Connect black lead to ground lead on battery. Mount controller to harness located in front of battery using supplied 11" tie wraps(16). Route shorter leg of harness down passenger side wheel well and longer leg of harness down driver side wheel well. Attach harness with supplied 7" Cable ties (15).

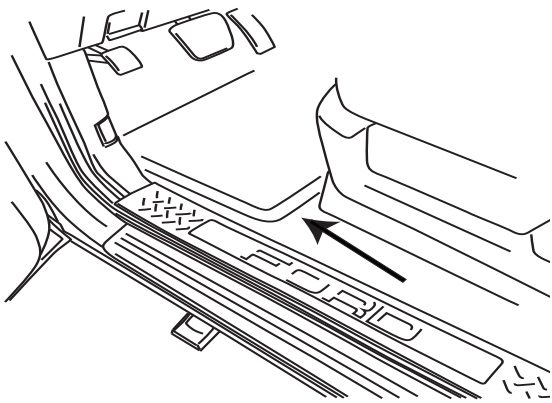
14

Route shorter leg of harness down Passenger -side wheel well and longer leg of harness down along driver side wheel well.
Attach wire harness with supplied 7" cable ties (15).

15

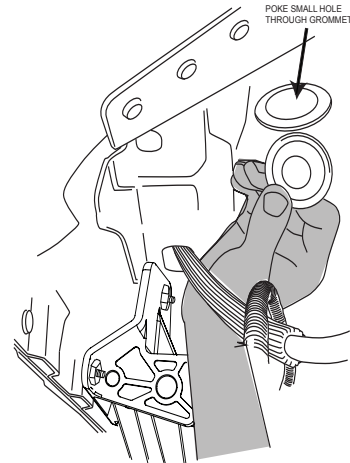
AMP RESEARCH POWERSTEP XL™ – FORD F150

Remove driver side front kick panel and door sill plate. Roll back carpet to access hole for passing trigger wires into cab of vehicle.



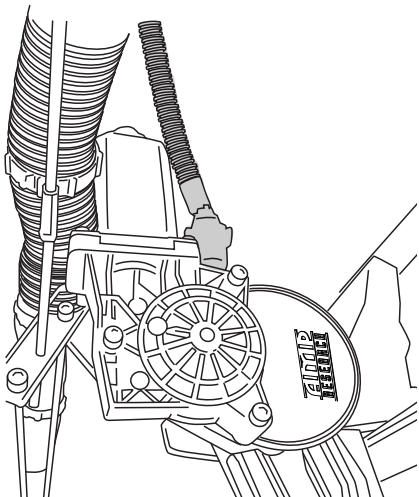
16

Remove grommet in floor panel above front linkage on driver side. Poke small hole into grommet and thread the two trigger wires through and up into the cabin of vehicle. Seal grommet with silicone sealer.



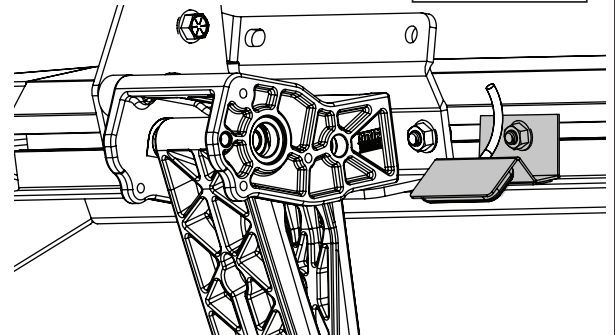
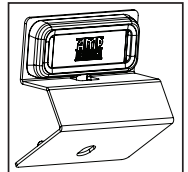
17

Connect harness to motor. Secure harness with tie wraps.



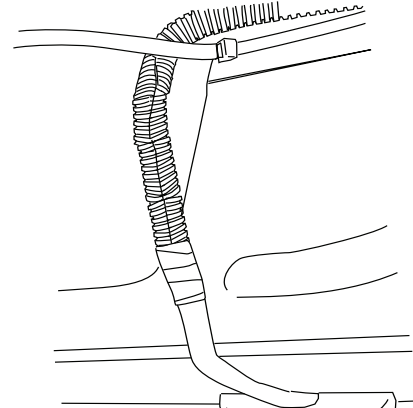
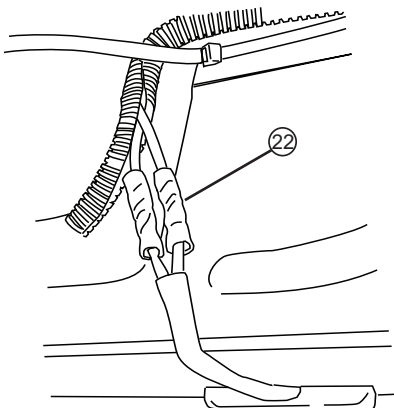
18

Affix LED Lamp (21) to Light Bracket (17) on rail. Slide bracket into desired position and tighten using 5/32" Allen key.



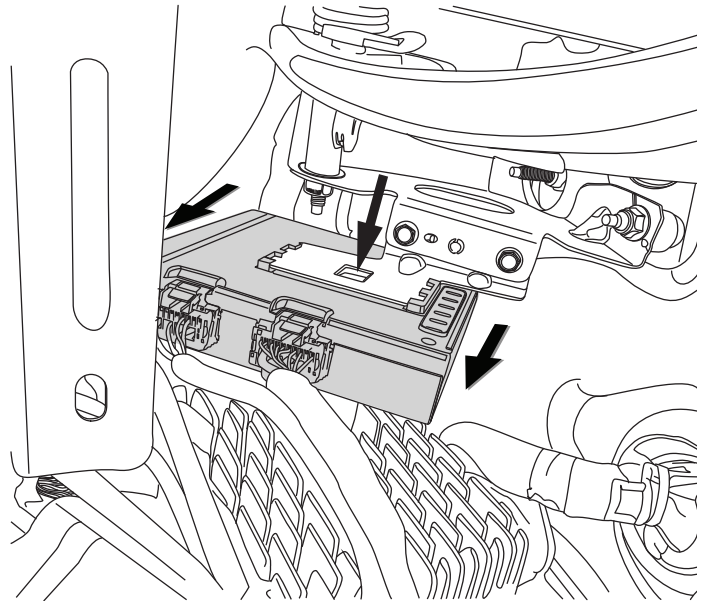
19

Using supplied butt connectors, connect the lamp wires. Red to Red, Black to Black. Once Crimped use heat gun to shrink tube. Close and wrap conduit with electrical tape. Secure all loose wires with cable ties. Pull lamp wires upward to avoid any wire snagging.



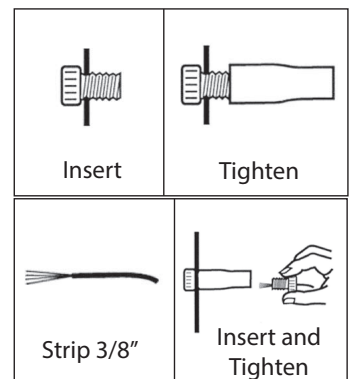
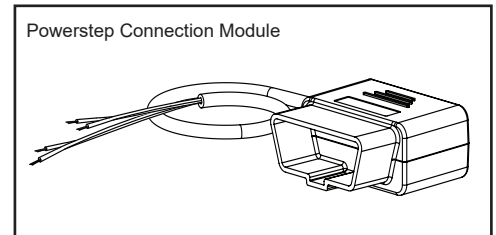
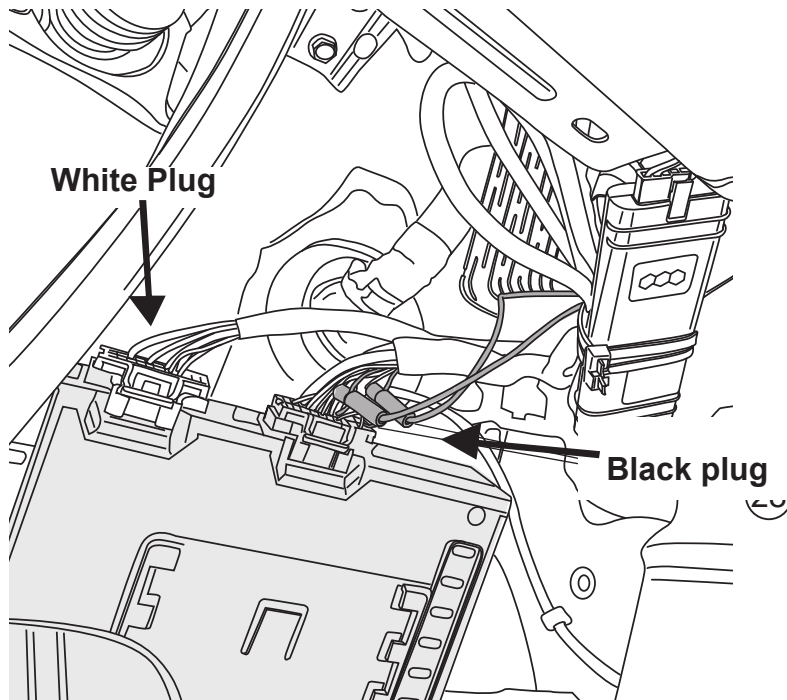
20

Locate black module just above e-brake pedal, and proceed to remove it for easier access. To remove module from bracket, push tab as shown and slide bracket downward.



21

Locate the following wires (black connector) and connect the blue and white wires of the Powerstep Connection Module with supplied Posi-Tap™ (27) to the following wire colors listed below.



Factory Can Wire	Powerstep Connection Module wire color
Green w/blue stripe	White
White w/green stripe	Blue

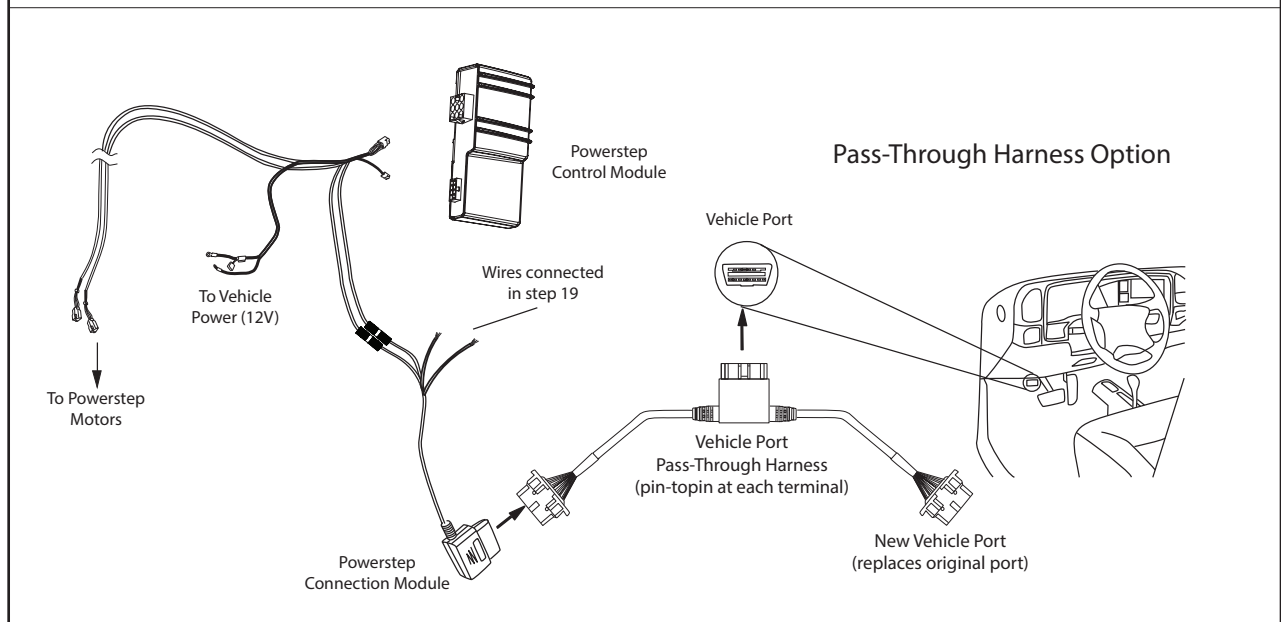
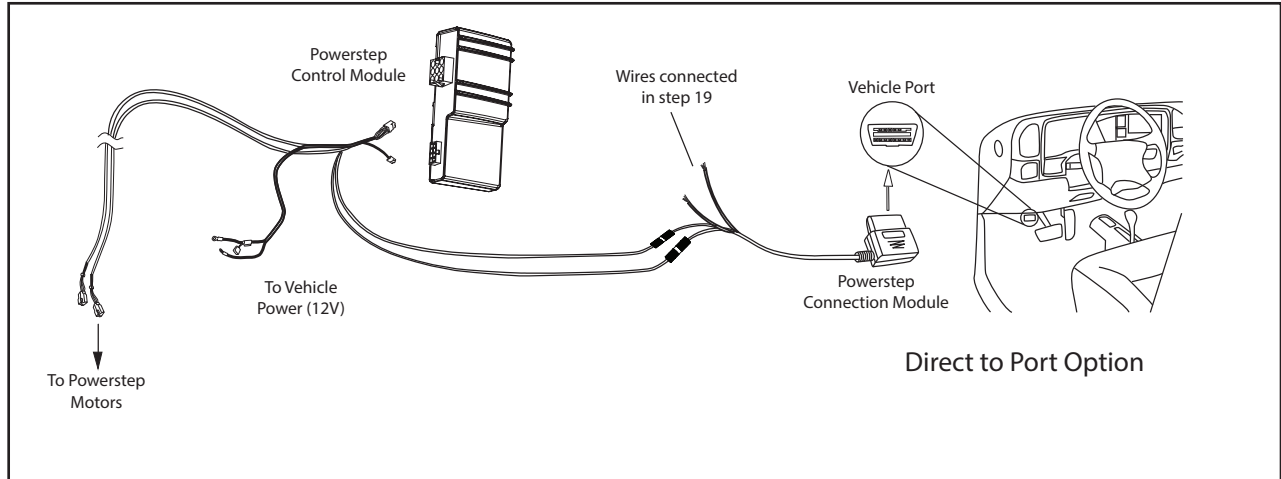
After connecting wires, slide module back on to bracket, and ensure locking tab engages.

22

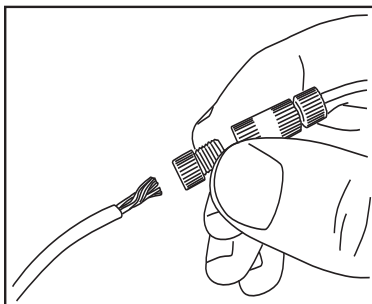
AMP RESEARCH POWERSTEP XL™ – FORD F150

OBD II install: Use Supplied Posi Twist connectors to attach the Plug and Play Module to the Harness. Attach matching colors on the harness to the wires on the module. Plug in module to OBD II port on the vehicle. Secure harness with supplied tie wraps.

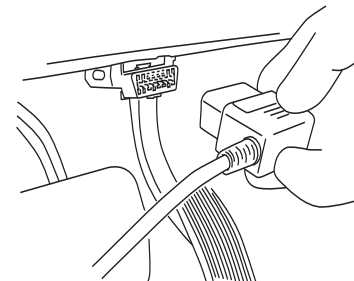
Note: If the OBD II pass thru harness (76404-01A) was purchased see install sheet supplied in packaging. The pass through harness allows for an open port for other accessories. See next page for a brief description.



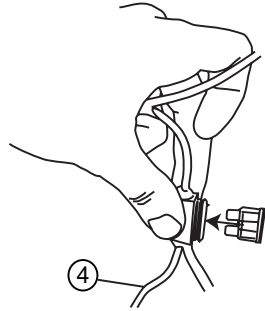
Posi-Lock™ (6) connection.



OBD II Connector located below steering column.

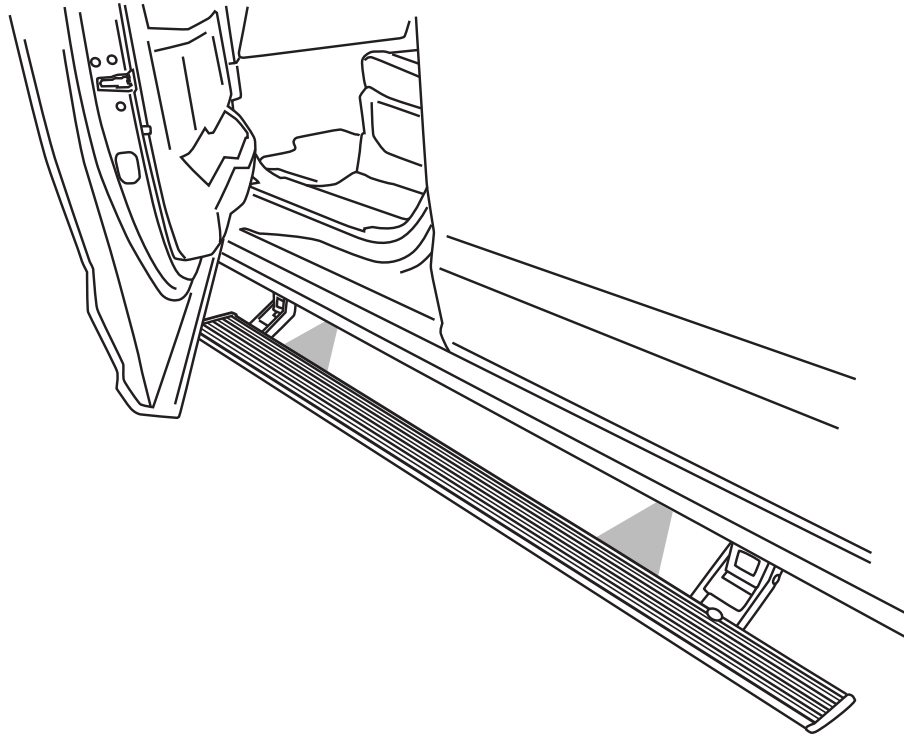


Replace fuse.



24

Check that all doors activate the Power Step and the LED Lights work when doors open and close. Reinstall any remaining trim panels.



FINAL SYSTEM CHECK

Check that all doors activate the PowerStep and the LED lights work when doors open and close.

NORMAL OPERATION: When the doors open, PowerStep automatically deploys from under the vehicle. When the doors are closed, PowerStep will automatically return to the stowed/retracted position. **Note that there is a 2-second delay before the PowerStep returns to the stowed/retracted position.**

CORRECT OPERATION OF LIGHTS: All four lamps will illuminate upon opening any door of vehicle. Lamps will stay on until restowing of both Power Steps or until 5 minutes has expired with the doors open. When the lights timeout after 5 minutes, they can be reilluminated by closing and opening any door of vehicle.

25

AMP **RESEARCH** **Power Step**™

AMERICAN DESIGNED, ENGINEERED AND MANUFACTURED.

Thank you for your recent AMP Research Purchase.

REGISTER YOUR PRODUCT TODAY FOR FASTER SERVICE & PRODUCT UPDATES

Please visit:

www.amp-research.com/productregistration
or scan the QR Code



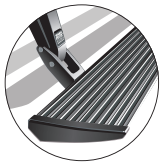
Product Registration Benefits:

- Ensure we have your purchase receipt and product info in our system which is required for warranty
- Faster and easier access to customer service and tech support in the unlikely event you need warranty or product support
- Registration helps us keep you up to date on product information and offers

To view other Amp Research products that may be offered for your vehicle.

Please visit: www.amp-research.com

POWER-DEPLOYABLE RUNNING BOARDS OPERATION: AMP Research PowerStep running boards automatically move when the doors are opened to assist entering and exiting the vehicle.



Automatic power deploy:

The running boards will extend down and out when the doors are opened.

Automatic power stow:

The running boards will return to the stowed position when the doors are closed. There will be a 2-second delay before the running boards move to the stowed position.

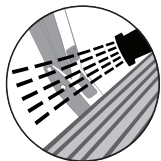
Automatic stop:

If an object is in the way of the moving running board, the running board will automatically stop. To reset, clear any obstruction, then simply open and close the door to resume normal operation.



Manually set in the deployed (OUT) position for access to the roof:

The running boards can be manually set in the deployed position by firmly holding the step down with your foot while at the same time closing the door. To resume normal operation, open and close the door.



Maintenance: In adverse conditions, debris such as mud, dirt, and salt may become trapped in the running board mechanism, possibly leading to unwanted noise. If this occurs, manually set the running boards to the deployed position and flush the front and rear hinge arms with a high-pressure car wash wand. **Avoid spraying the motors directly.** After washing, apply silicone spray lubricant to the hinge pivot pins. Do not apply silicone, wax or protectants like Armor All® to the running board stepping surface.

Caution! Keep hands away when the running board is in motion.

5-YEAR LIMITED WARRANTY

AMP RESEARCH warrants this product to be free from defects in material and workmanship for FIVE (5) YEARS FROM DATE OF PURCHASE, provided there has been normal use and proper maintenance. This warranty applies to the original purchaser only. All remedies under this warranty are limited to the repair replacement of the product itself, or the repair or replacement of any component part thereof, found by the factory to be defective within the time period specified. The decision to repair or replace is wholly within the discretion of the manufacturer.

This warranty specifically excludes labor. If you have a warranty claim, first you must call our factory at the number below for instructions. You must retain proof of purchase and submit a copy with any items returned for warranty work. Upon completion of warranty work, if any, we will return the repaired or replaced item or items to you freight prepaid. Damage to our products caused by accidents, fire, vandalism, negligence, misinstallation, misuse, Acts of God, or by defective parts not manufactured by us, is not covered under this warranty.

ANY IMPLIED WARRANTIES OF MERCHANTABILITY AND/OR FITNESS FOR A PARTICULAR PURPOSE CREATED HEREBY ARE LIMITED IN DURATION TO THE SAME DURATION AND SCOPE AS THE EXPRESS WRITTEN WARRANTY. OUR COMPANY SHALL NOT BE LIABLE FOR ANY INCIDENTAL OR CONSEQUENTIAL DAMAGE.

Some states do not allow limitations on how long an implied warranty lasts, or the exclusion or limitation of incidental or consequential damages, so the above limitations or exclusions may not apply to you. This warranty gives you specific legal rights, and you may also have other rights that vary from state to state.

FOR WARRANTY ISSUES WITH THIS PRODUCT PLEASE CALL AMP RESEARCH TECH SUPPORT 1-888-983-2204

WARNING

Be sure to read and precisely follow the provided instructions when installing this product. Failure to do so could place the vehicle occupants in a potentially dangerous situation. After installing or reinstalling, re-check to insure that the product is properly installed.



The material that your product is made from can be recycled.
Please also consider recycling the packaging that your product came in.

