

PATRIOT/Endeavor

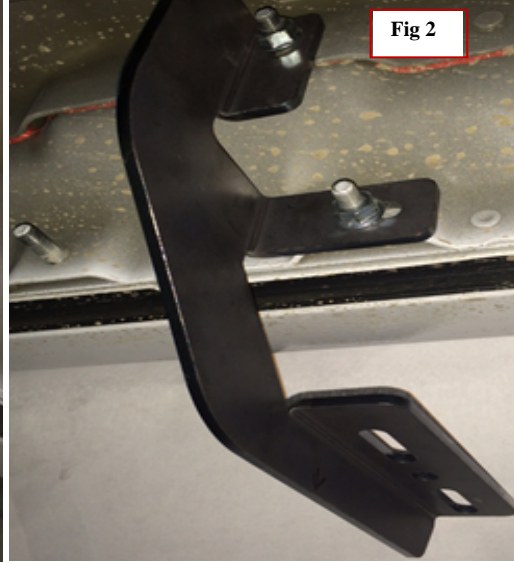
Read all instructions before beginning installation.

Running Boards	2
Brackets (Driver / Passenger Front)	2
Brackets (Passenger / Driver Middle and Rear)	4 * See Note
Hardware Kit	1

HARDWARE	
8 MM Flange Nuts	12
Flat Plate	6
5/16" Hex Bolt	12
5/16" Serrated Flange Nut	12

Step 1: Reference picture of bracket positions for later steps (Fig 1&2)

Passenger / Driver
Middle - Rear



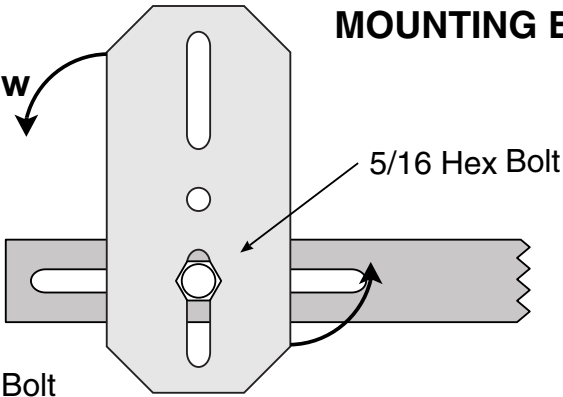
Driver / Passenger
Front

Step 2: Install brackets on factory 8 MM threaded studs as shown in Fig 1&2. Hand tighten hardware at this time.

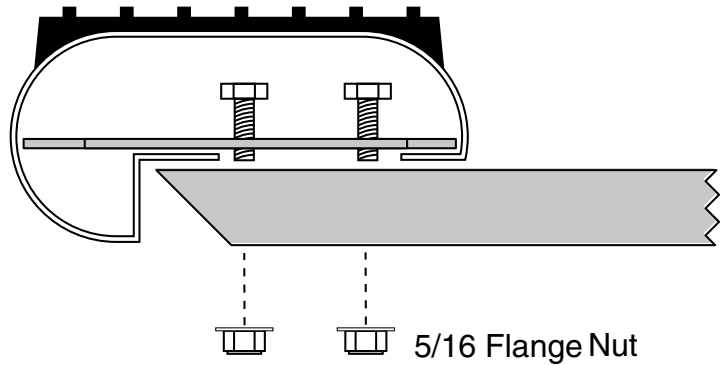
*** Note:** For Regular and Extended Cab, use only 2 Middle/Rear brackets.

MOUNTING BOARD TO BRACKET

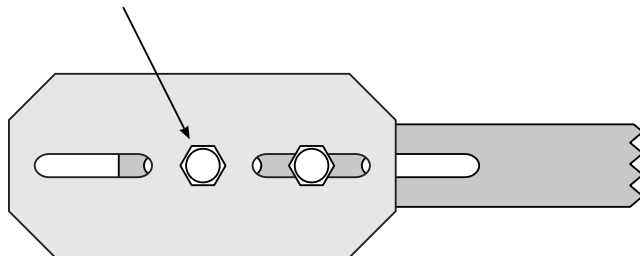
Top View



Side View



5/16 Hex Bolt



5/16 Flange Nut

Step 3: Now with everything installed. Take a look at the board on your vehicle. There is a lot of adjustment in the kit to get the board where you like them. Adjust boards in and out and side to side with the slots on the bracket where board mounts. Adjust the front and rear brackets first and finish with the middle. Once the boards are in place to your liking, tighten all fasteners on the boards and brackets. This will complete your installation. Enjoy!