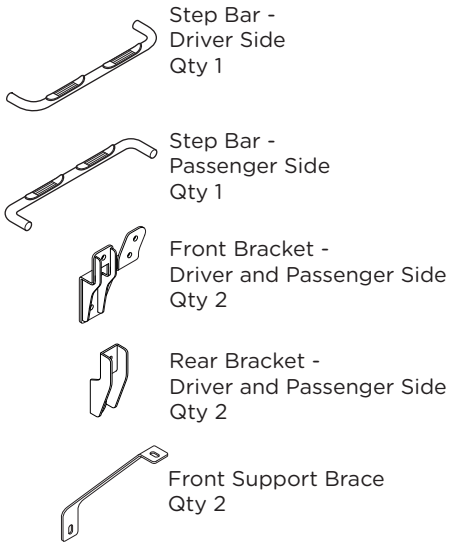
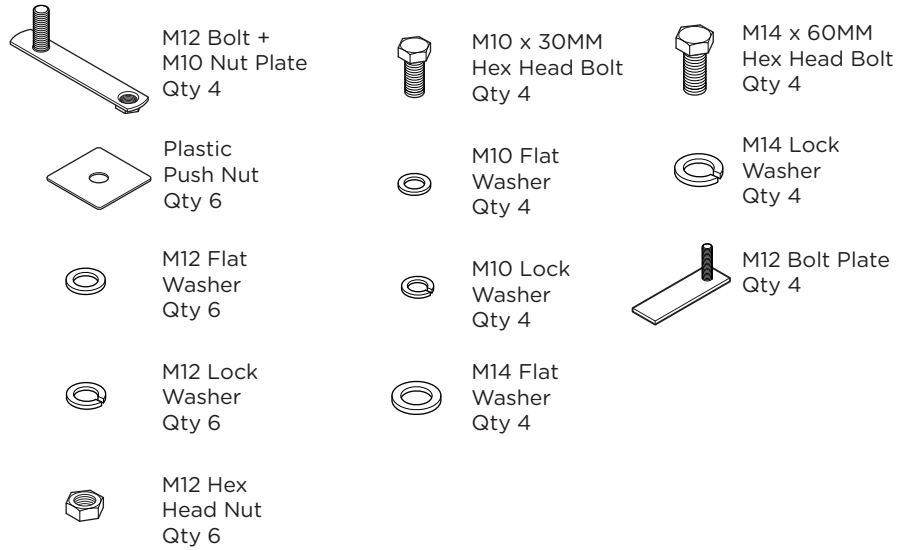


3" ROUND TUBE

Components:



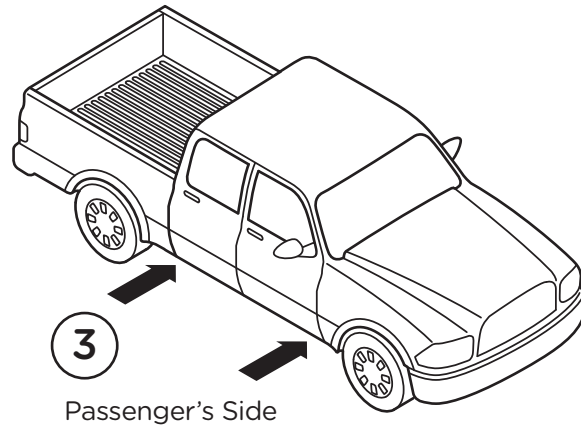
Hardware:



1. Remove all contents from the package and check stainless steel tubes for any damage. Also, verify that all components and hardware listed above are included before you begin installation.

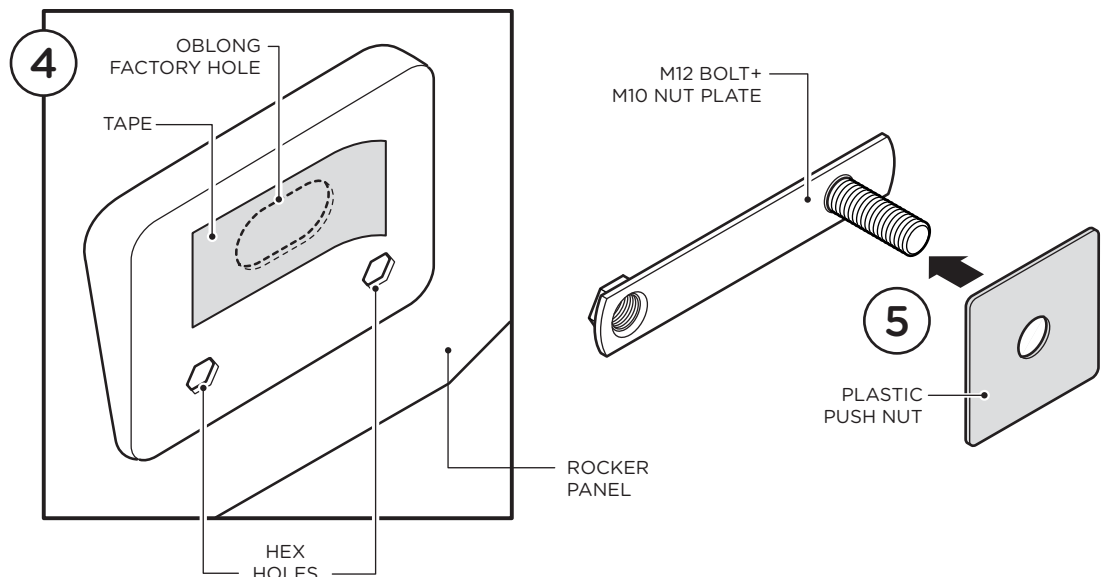
2. Remove the tape that covers the front running board holes. This is located at the inner Rocker Panel behind the front tires.

3. Begin installation on passenger's side of vehicle.



4. Remove the Tape covering the factory oblong hole in the Rocker Panel located above the two (2) hex holes.

5. Slide Plastic Push Nut over the Stud (4b).



6. Locate the oblong hole with two hex shaped holes at the front passenger side of the vehicle. Insert one (1) M12 Bolt + M10 Nut Plate (with Push Nut secured) into the oblong hole.

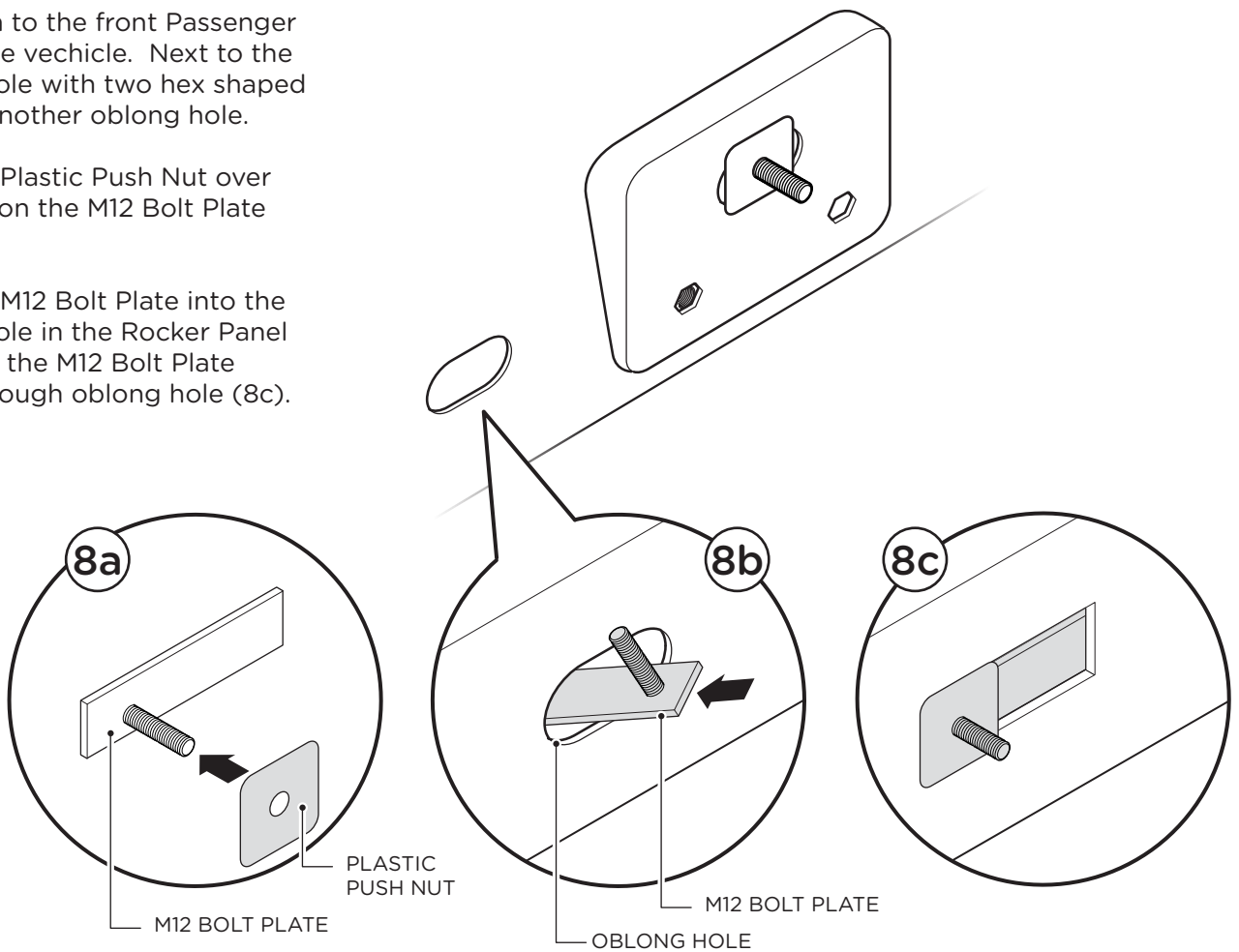
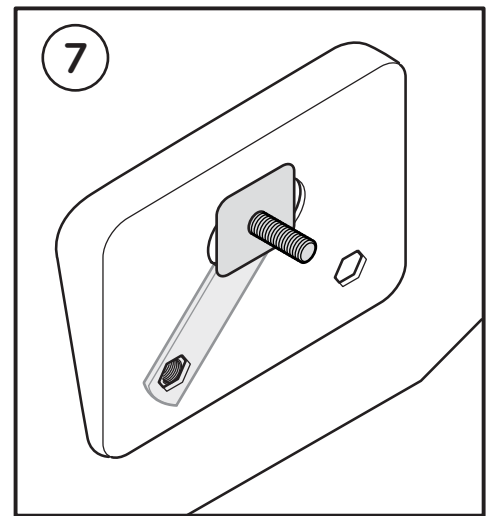
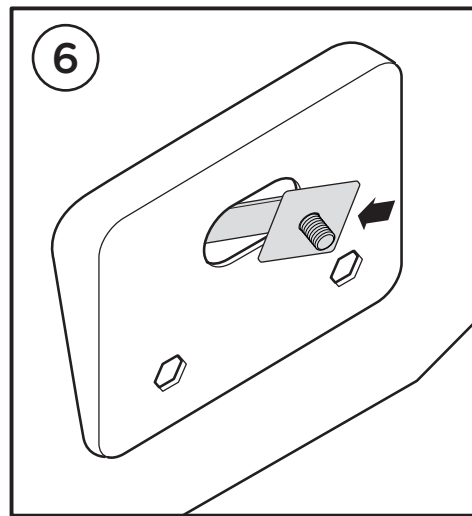
Repeat for the oblong hole with two hex shaped holes at the rear passenger side of the vehicle.

7. Position the M12 Bolt + M10 Nut Plate as shown, making sure the M10 Nut is aligned with the hex hole in the Rocker Panel.

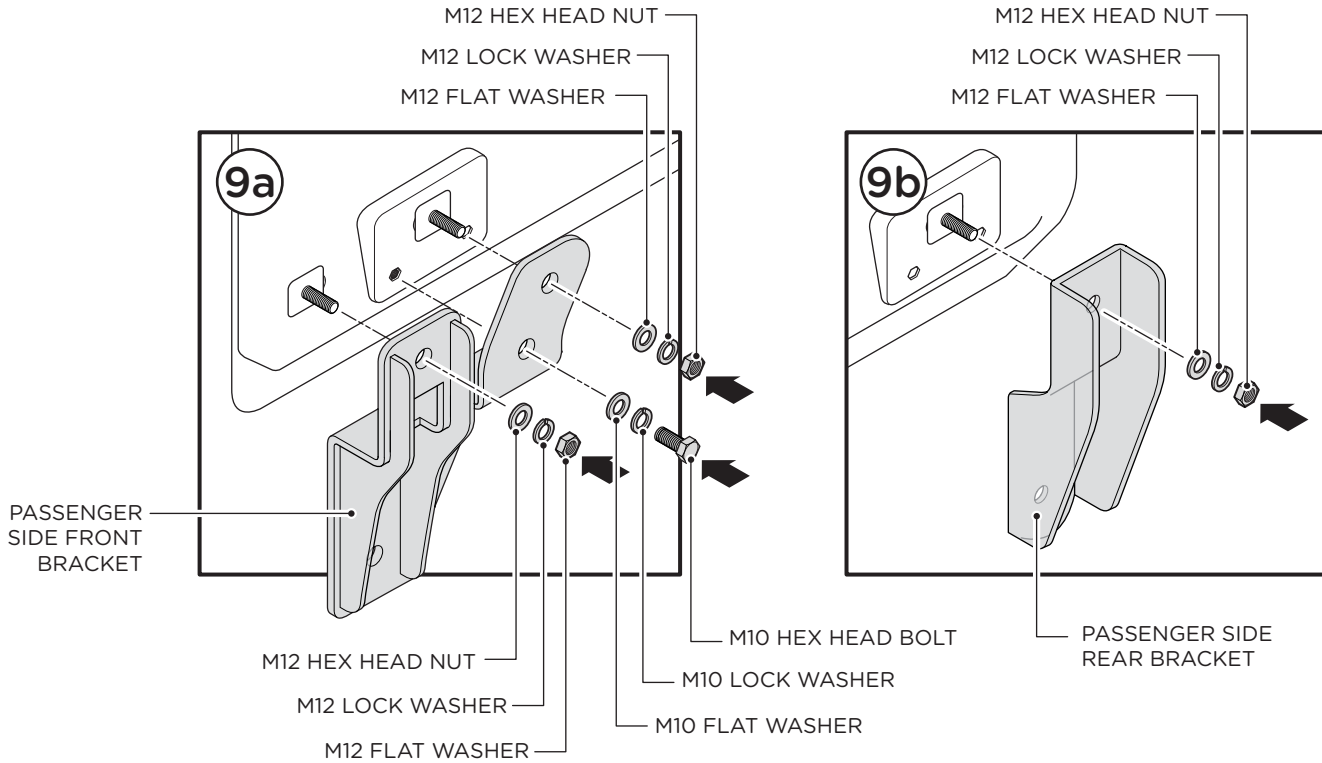
8. Return to the front Passenger side of the vehicle. Next to the oblong hole with two hex shaped holes is another oblong hole.

Slide the Plastic Push Nut over the Stud on the M12 Bolt Plate (8a).

Slide the M12 Bolt Plate into the oblong hole in the Rocker Panel (8b) until the M12 Bolt Plate drops through oblong hole (8c).

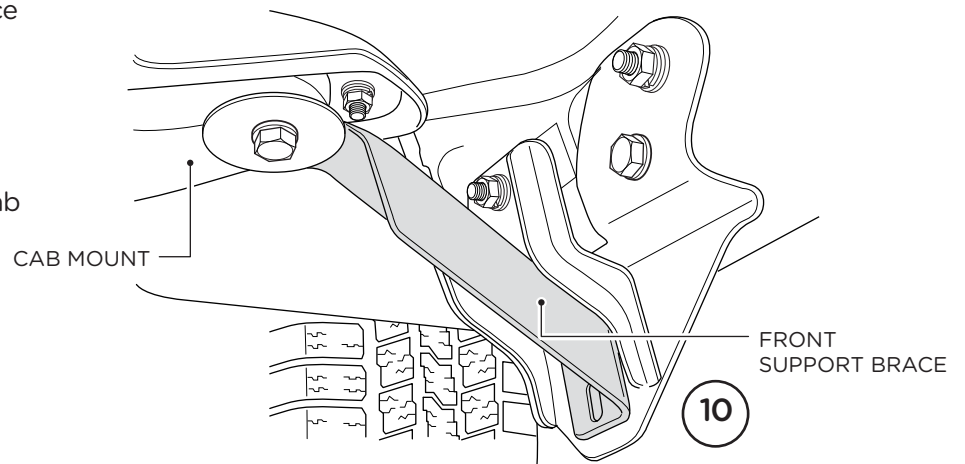


9. Align the Passenger Side Front Bracket with the threaded studs of the Bolt Plates and the Hex hole in the Rocker Panel. Align the Passenger Side Rear Bracket with the threaded stud of the M12 Bolt + M10 Nut Plate and fasten as shown (9b).



10. Align the Front Support Brace to the Passenger Side Front Bracket and the Cab Mount Location.

Attach top end of Front Support Brace using using the existing cab mount bolt.



11. Fasten the Step Bar to the Front and Rear Brackets using one (1) M14 x 60MM Bolt, one (1) M14 Lock Washer and one (1) M14 Flat Washer per bracket.

Note: When securing the Step Bar to the Passenger Side Front Bracket make sure hardware is installed through hole in Front Support Brace.

Repeat these steps for driver side installation. When all hardware is in place, everything must be tightened. See Page 1 for Torque Specifications.

