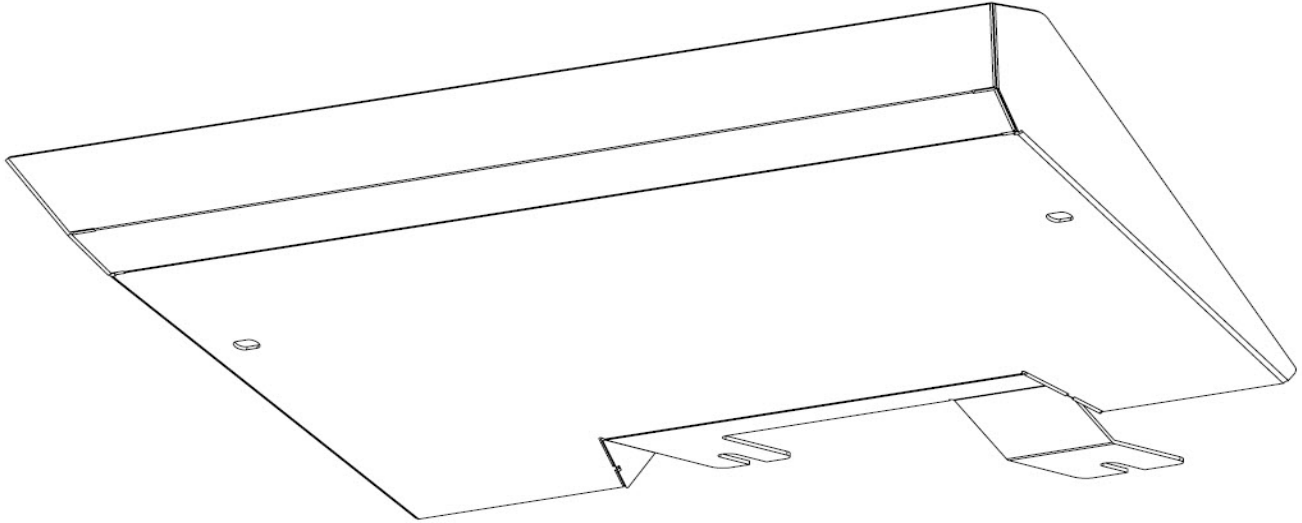




Skid Plate

Part # HFB-02-004

Components and Hardware:



Components and Hardware:

- 1. Skid Plate(1)

Tools for Installation:

- 15mm Socket Wrench

Skid Plate

1. Remove OE bolts from front, loosen rear 2 bolts. Remove OE skid plate.
2. Install HAVOC skid plate by sliding rear tabs onto rear bolts, pivot and align front holes. Use previously removed OE bolts. Tighten all hardware.

