



# MAXno-drill Side Step Installation Instructions

P/Ns: 140101-1, 140102-1, 140107-1, 140201-1, 140202-1, 140207-1



### WARNINGS!

- ✓ Do not over tighten the nuts and bolts or damage to the castings and or stripping of the threads could result.
- ✓ FOR SAFE AND PROPER USAGE OF THIS PRODUCT, THE MOUNTING INSTRUCTIONS MUST BE FOLLOWED CAREFULLY AND COMPLETELY.
- ✓ The manufacturer and distributor of this product are in no way responsible for the consumer's failure to adhere to the warnings and directions of these instructions in the event of damage to the consumer's vehicle, other properties and or personal injury.

### Vehicle Application:

#### CHEVY/GMC

'20-Current Silverado/Sierra 2500-3500 all doors, all cabs

'19-Current Silverado/Sierra 1500 all doors, all cabs

### MATERIAL NEEDED:

Flat head screwdriver. Socket wrench with a 13mm standard socket.

### MATERIAL FURNISHED:

One step casting, one thick steel washer, one hardware pack and instruction sheet.

**IMPORTANT NOTE:** One LED light (P/Ns 140201-1, 140202-1, 140207-1 ONLY)



### Quality and Style that Endures

Follow the diagram and the written directions carefully for a proper, safe installation. Should you encounter an unusual, unforeseen problem, contact our Technical Help Line

7:00 AM – 3:00 PM Pacific Time

(951) 719-1068

Visit our web-site at [www.CARR.com](http://www.CARR.com)  
Warranty Information on our website  
Carr Pattern Co., Inc.

### Carr Pattern Co., Inc. Warranty Policy

**Finishes:** Limited Lifetime

**Structural Warranty:** Limited Lifetime

#### Warranty Conditions:

- a. All warranties start from consumer's date of purchase.
- b. A new product will be sent out immediately to replace a warranty claim.
- c. The above guidelines apply only to the Original Purchaser.
- d. Original proof of purchase must be submitted for all warranty and returns issues.

#### Warranty Limitations:

- a. Warranty coverage extends ONLY to repair or replacement of the CARR product. This warranty does not cover the cost of labor, transportation, installation or removal of the product.
- b. Warranty coverage does not extend to damage caused by: collision, fire, theft, freezing, vandalism, riot, explosion or object striking the product, or misuse of the product and/or the vehicle on which the product is being installed.
- c. Warranty coverage does not extend to damage caused by: airborne fallout (chemicals, tree sap, etc.), stones, hail, earthquake, water or flood, windstorm, lightning, the application of chemicals or sealants subsequent to manufacture.
- d. Warranty coverage does not extend to damages caused by: normal wear and tear, abuse, modification or improper installation of the product.
- e. Warranty coverage does not extend to any economic loss or extra expense including (without limitation), payment for the loss of time or pay, inconvenience, storage, loss of vehicle use, vehicle rental expense, equipment rental expense, lodging, meals, or other travel costs.

#### Other Terms:

This warranty gives you specific legal rights and you may also have other rights that vary from state to state. CARR does not authorize any person to create for it any other obligation or liability in connection with its products. ANY IMPLIED WARRANTY OF MERCHANTABILITY OR FITNESS FOR A PARTICULAR PURPOSE APPLICABLE TO THIS PRODUCT IS LIMITED IN DURATION TO THE DURATION OF THIS WRITTEN WARRANTY. PERFORMANCE OF REPAIRS AND NEEDED ADJUSTMENTS IS THE EXCLUSIVE REMEDY UNDER THIS WRITTEN WARRANTY OR ANY IMPLIED WARRANTY. CARR SHALL NOT BE LIABLE FOR INCIDENTAL OR CONSEQUENTIAL DAMAGES RESULTING FROM BREACH OF THIS WRITTEN WARRANTY\*

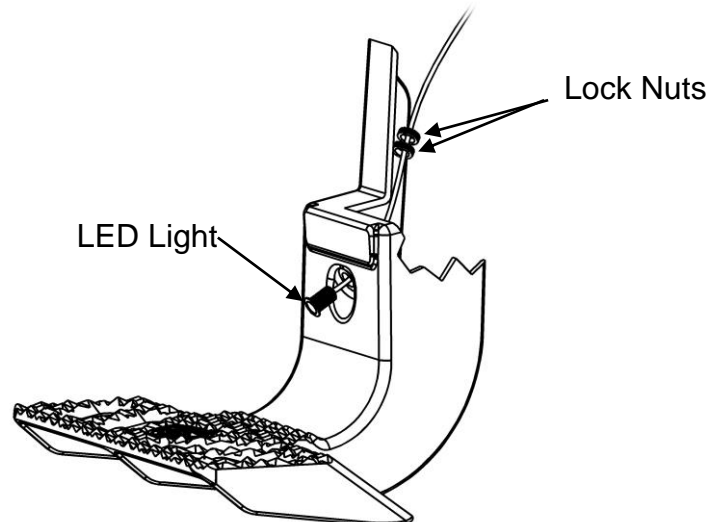
\*Some states do not allow limitations on how long an implied warranty will last or the exclusion or limitation of incidental or consequential damages, so that above limitations or exclusions may not apply to you.

**Guarantee:** Every attempt has been made to manufacture and distribute the finest quality products available. Our manufactured products are guaranteed to be free of defects due to workmanship or materials. Distributed products are subject to manufacturer's warranty only.

Installation time per step:  
20 - 30 minutes

### IMPORTANT NOTE LED Light Installation For P/Ns 140201-1, 140202-1, 140207-1 ONLY!

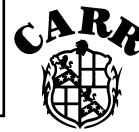
If you have purchased any of the part numbers above, you will need to install the LED light provided BEFORE installing this step on your vehicle. Remove the lock nuts from the wire assembly. Feed the wire through the front of the step. With the LED light up against the flat recessed area of the step, use the two lock nuts to securely tighten the LED light to the step.





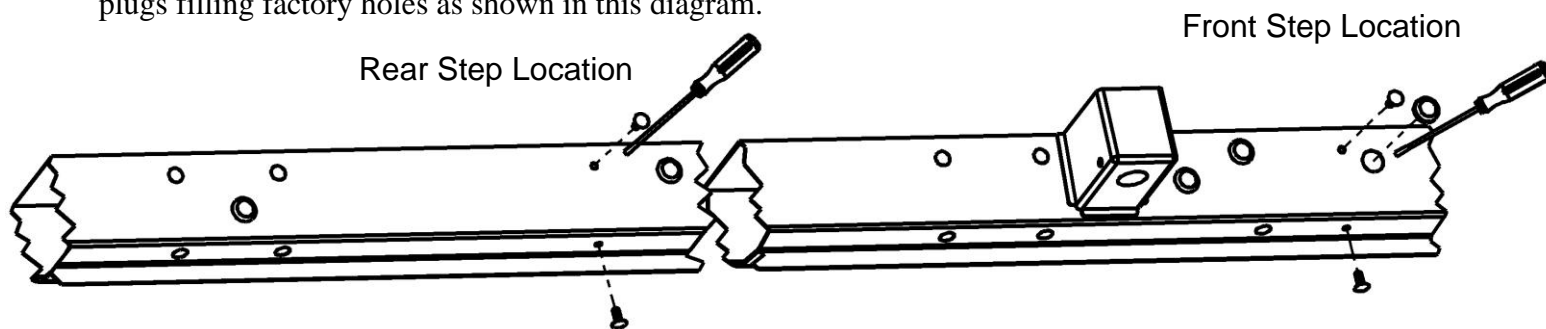
## MAXno-drill Side Step Installation Instructions

P/Ns: 140101-1, 140102-1, 140107-1, 140201-1, 140202-1, 140207-1

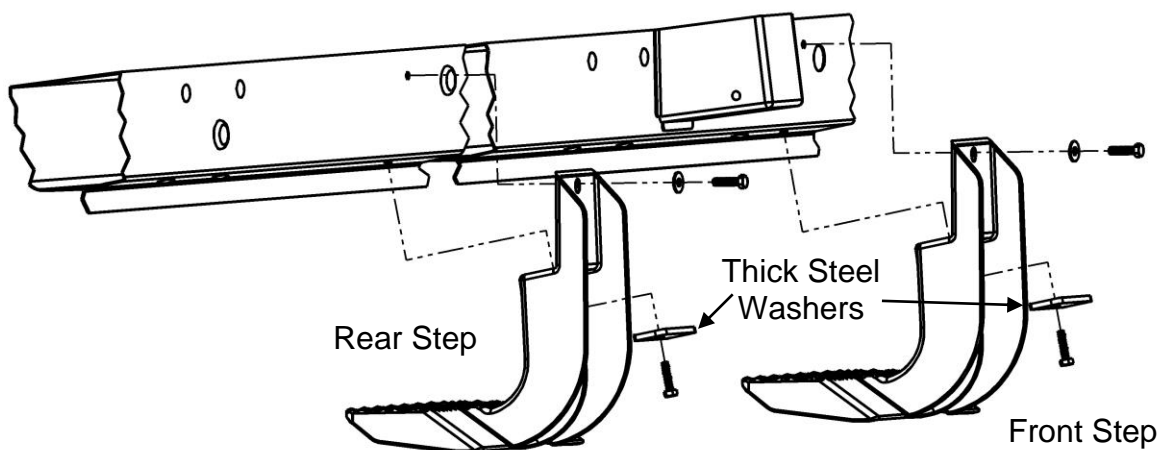


**ALL DRAWINGS ARE VIEWED FROM THE DRIVERS SIDE  
FROM UNDERNEATH THE VEHICLE**

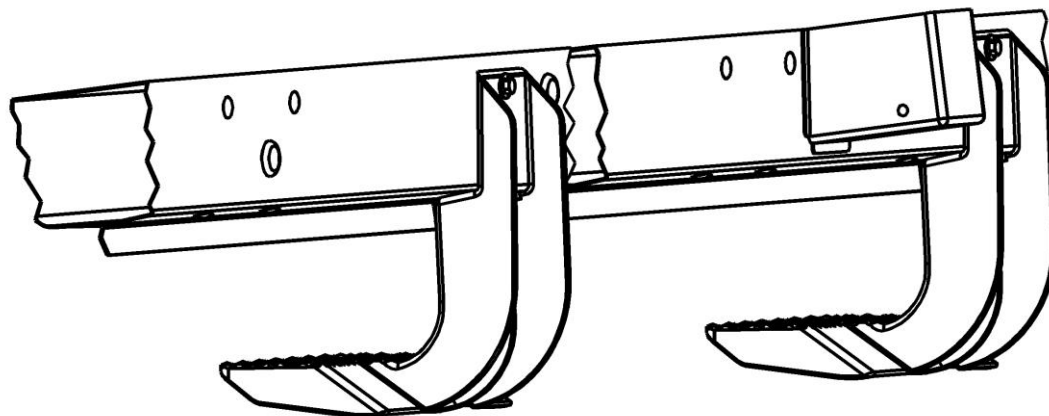
1. (NOTE: If your step kit includes an LED light, please refer to the important note on the other side of this instruction sheet before proceeding.) With a flat head screwdriver, remove the black plastic plugs filling factory holes as shown in this diagram.



2. With the hardware provided, use your 13mm socket wrench to securely tighten the step as shown in the diagram to the right.



3. Your step is now ready for use! If you purchased the step or steps with the LED light, now is the time to wire this light to your vehicle.



4. Repeat these steps for the Passenger Side of your vehicle if applicable.

**WAX YOUR STEP ON A  
REGULAR BASIS TO  
MAINTAIN ITS LUSTER**