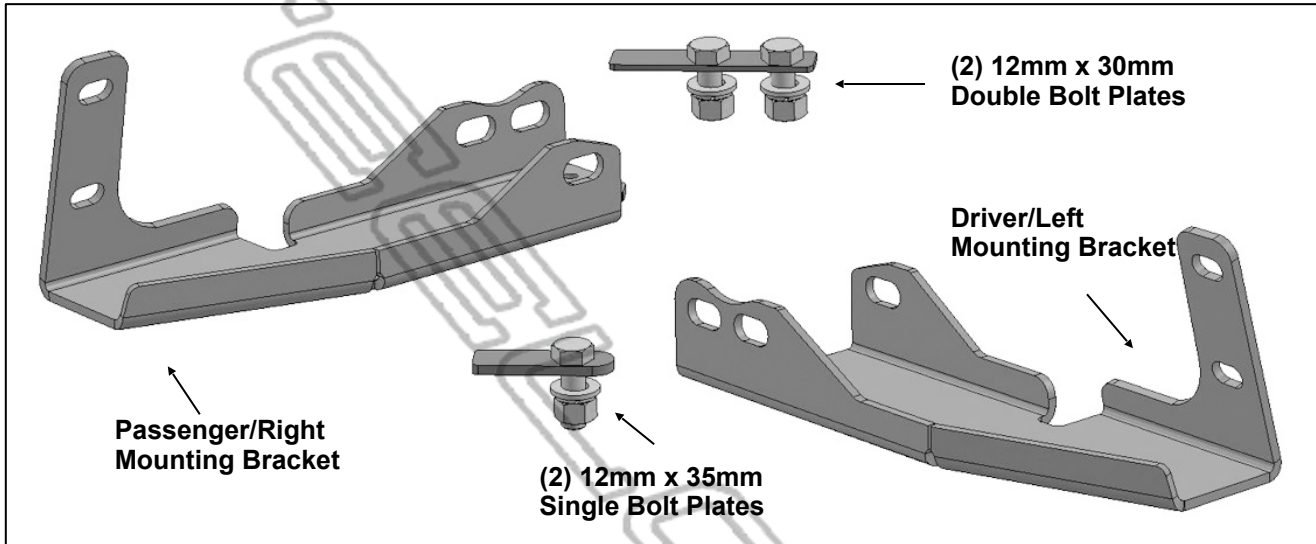


**3" BULL BAR**  
**2021-CURRENT CHEVY TAHOE AND SUBURBAN**  
**(EXCLUDES MODELS WITH ACC AND PARKING SENSORS)**

**PARTS LIST:**

1	Bull Bar	6	12mm x 24mm OD x 2.5mm Flat Washers
1	Driver/Left Mounting Bracket	6	12mm Lock Washers
1	Passenger/Right Mounting Bracket	6	12-1.75mm Hex Nuts
2	12-1.75mm x 30mm Double Bolt Plates	4	10-1.50mm x 30mm Hex Bolts
2	12-1.75mm x 35mm Single Bolt Plates	8	10mm x 27mm OD x 3mm Flat Washers
		4	10-1.50mm Nylon Lock Nuts



**PROCEDURE:**

**REMOVE CONTENTS FROM BOX AND VERIFY ALL PARTS ARE PRESENT. READ INSTRUCTIONS CAREFULLY. CUTTING MAY BE REQUIRED. INSTALLATION MAY INTERFERE WITH FRONT MOUNTED SENSORS. NOTE:** It may be necessary to remove/relocate front license plate and license plate bracket. It is not required, but strongly recommended. If local/state law requires a front license plate, license plate relocation kit is available.

1. Start installation from under the front of the vehicle. Remove the plastic cover between the bottom of the bumper cover and the frame, **(Figure 1)**.
2. Determine if the vehicle is equipped with tow hooks. **IMPORTANT:** Tow hooks cannot be reinstalled with the Bull Bar.

**Tow Hook equipped vehicles:**

- a. Remove the factory tow hook from the end of each frame channel, **(Figures 2 & 3)**.
- b. Select the driver/left Mounting Bracket. Insert the Bracket through the opening in the bumper and up to the frame. Trim the plastic as required to clear the Bracket, **(Figure 5)**. Repeat to check for clearance on passenger/right side of bumper.
- c. Proceed to **Step 3**.

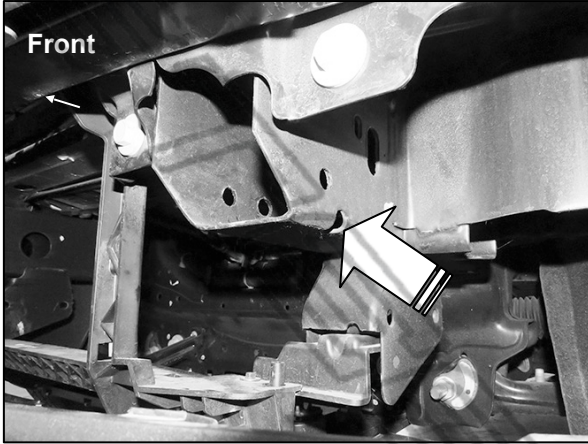
**Vehicles without tow hooks:**

- a. Cut out the indented area in both sides of the plastic bumper insert to clear the Brackets as pictured, **(Figures 4 & 5)**. **NOTE:** It may be easier to temporarily remove the plastic insert from the bumper to cut openings. **IMPORTANT:** Make several small cuts for best fit around Brackets. On some models, the plastic insert may be equipped with removable covers, **(Figure 4)**. Remove covers if equipped.

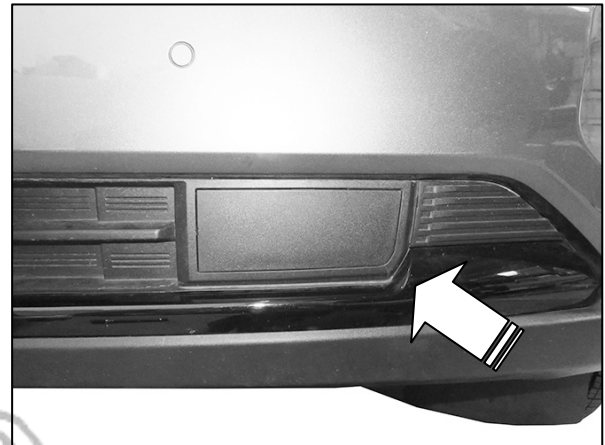


**3" BULL BAR  
2021-CURRENT CHEVY TAHOE AND SUBURBAN  
(EXCLUDES MODELS WITH ACC AND PARKING SENSORS)**

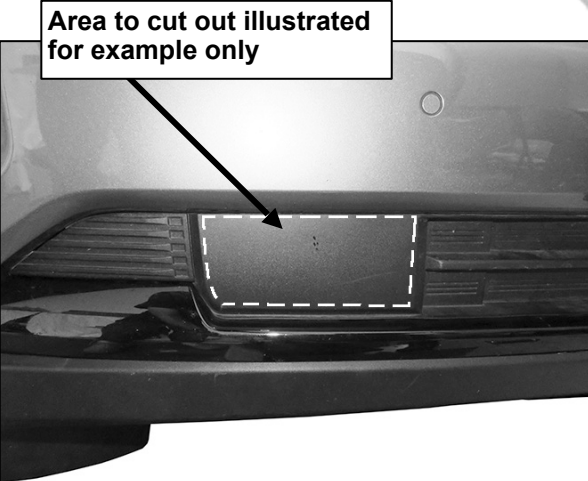
**Driver/left Side Installation Pictured**



**(Fig 3) Driver/left outer mounting location (arrow) pictured from behind bumper**

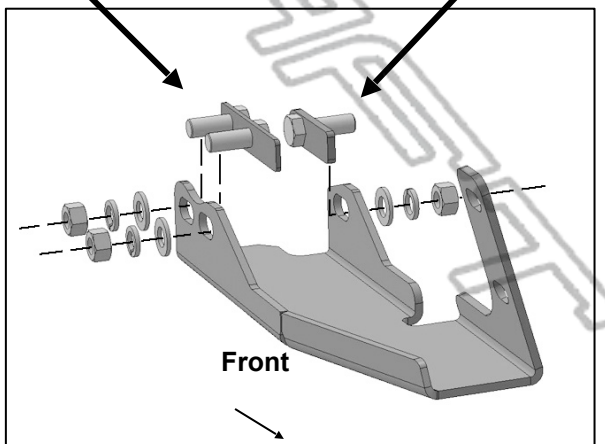


**(Fig 4) Example of model without tow hooks. Remove cover if equipped (arrow)**



**(Fig 5) Models without tow hooks and without removable covers, (see fig 4), cut openings as required in center plastic panel for Brackets. If necessary, temporarily remove center panel to cut openings. Dashed line represents approximate area to cut. Passenger/right side of center panel pictured**

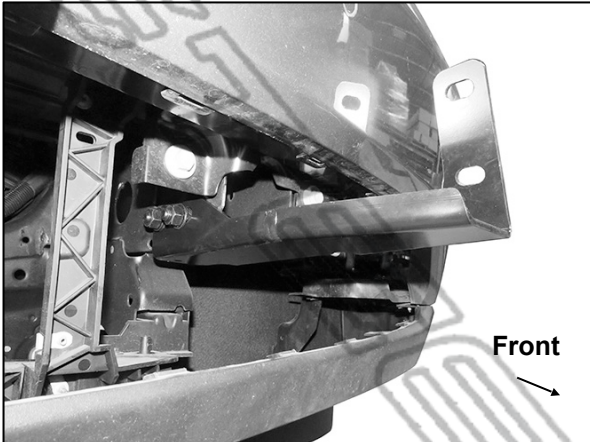
- |                            |                            |
|----------------------------|----------------------------|
| (1) 12mm Double Bolt Plate | (1) 12mm Single Bolt Plate |
| (2) 12mm Flat Washers      | (1) 12mm Flat Washer       |
| (2) 12mm Nylon Lock Nuts   | (1) 12mm Nylon Lock Nut    |



**(Fig 6) Attach the driver/left Mounting Bracket to the end of the frame**

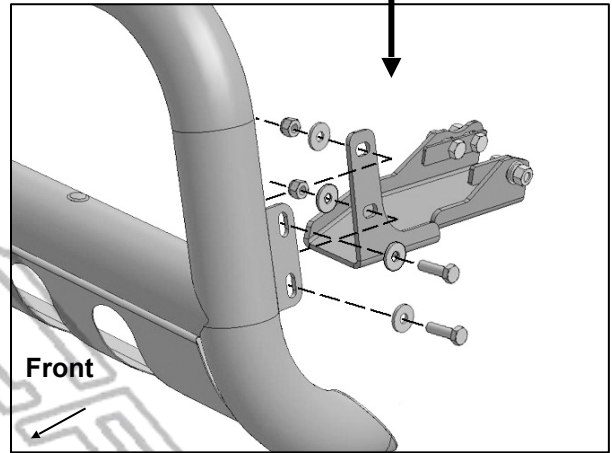
**3" BULL BAR  
2021-CURRENT CHEVY TAHOE AND SUBURBAN  
(EXCLUDES MODELS WITH ACC AND PARKING SENSORS)**

**Driver/left Side Installation Pictured**



**(Fig 7) Driver/left Bracket installed. NOTE:  
Center panel in bumper pictured removed for  
instruction purposes only**

- (2) 10mm x 30mm Hex Bolts**
- (4) 10mm Flat Washers**
- (2) 10mm Nylon Lock Nuts**



**(Fig 8) Attach Bull Bar to outside of  
Brackets. Driver/left side illustrated**

- (2) 10mm Hex Bolts**
- (4) 10mm Flat Washers**
- (2) 10mm Nylon Lock Nuts**



**(Fig 9) Attach Bull Bar to outside of Brackets.**

