



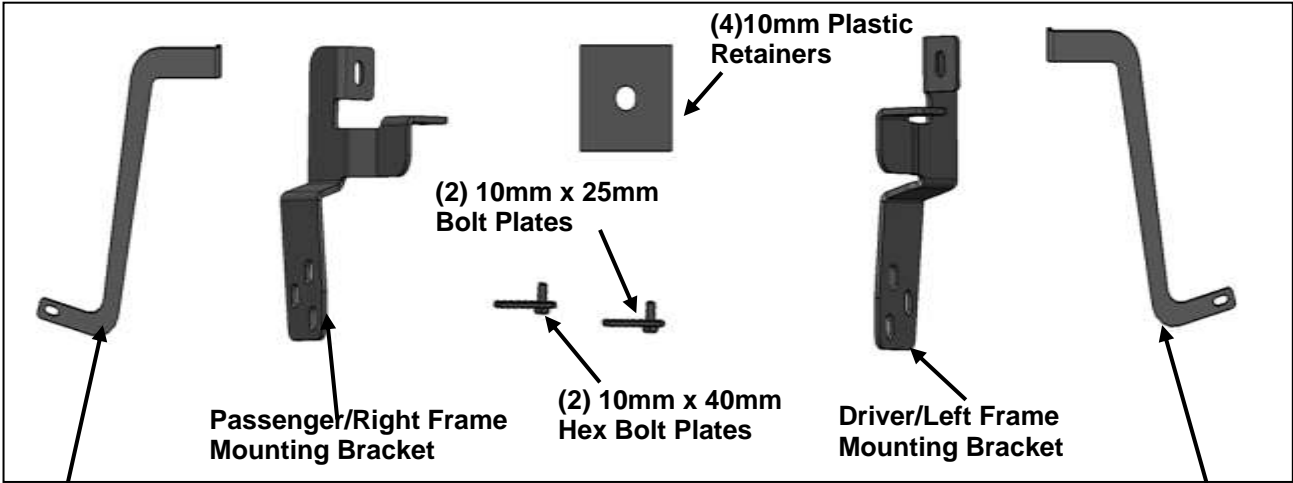
**TEL: 1-866-XANATOS**

# **INSTALLATION INSTRUCTIONS**

**MODULAR RUGGED GRILLE GUARD FOR  
16-23 TOYOTA TACOMA  
PART# RU-TOTA16-B**

**PARTS LIST:**

1	Main Body	18	8mm x 24mm x 2mm Flat Washers
1	Driver/Left Brush Guard	10	8-1.25mm x 25mm Button Head Bolts
1	Passenger/Right Brush Guard	8	M8-1.25mm Nylon Lock Nuts
2	LED Lamp Bracket	4	10mm Plastic Retainers
1	Driver/Left Mounting Bracket	6	10-1.5mm x 35mm Hex Bolts
1	Passenger/Right Mounting Bracket	2	10-1.5mm x 35mm Button Head Bolts
1	Driver/Left Top Bracket	20	10mm x 27mm OD x 3mm Flat Washers
1	Passenger/Right Top Bracket	12	10mm Lock Washers
2	10mm x 40mm Hex Bolt Plate	12	10mm Hex Nuts
2	10mm x 25mm Hex Bolt Plate	1	Allen Wrench S=5
		1	Allen Wrench S=6

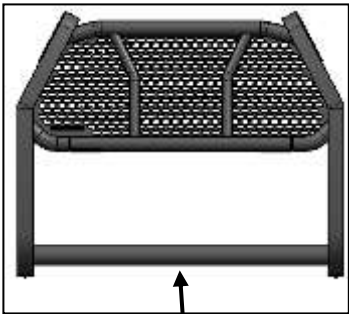


Passenger/Right Top Support Bracket

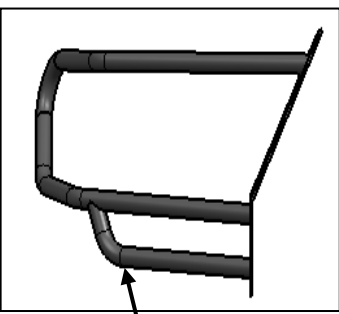
Driver/Left Top Support Bracket



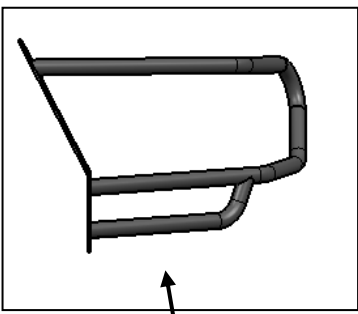
(2) LED lamp Bracket



Main Body



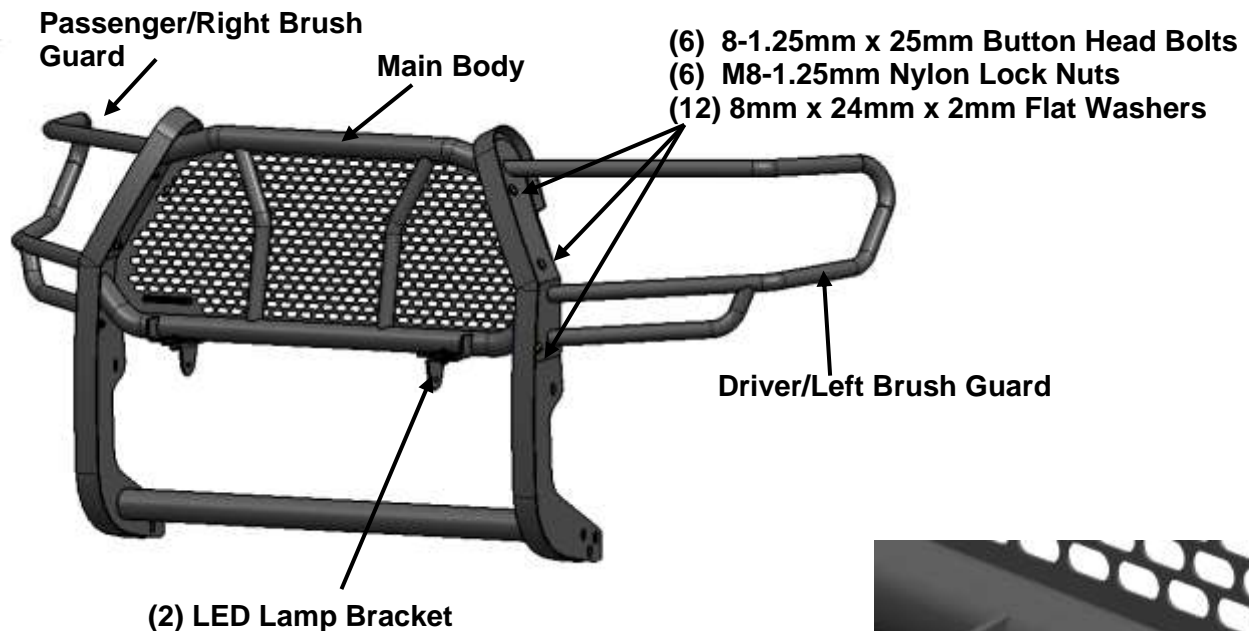
Passenger/Right Brush Guard



Driver/Left Brush Guard

**Please Noted:**

1. Before you install the Grille Guard on the vehicle, please install the Driver/Left Brush Guard and Passenger/Right Brush Guard on the main body first.
2. Before you install the LED Lamp on the main body please install the LED Lamp Bracket first.
3. If you are not going to install a LED Lamp, the LED Lamp Bracket installation is unnecessary. For main body installation follow the instruction as bellow.



- 
- (2) 8-1.25mm x 25mm Button Head Bolts  
(2) M8-1.25mm Nylon Lock Nuts  
(4) 8mm x 24mm x 2mm Flat Washers

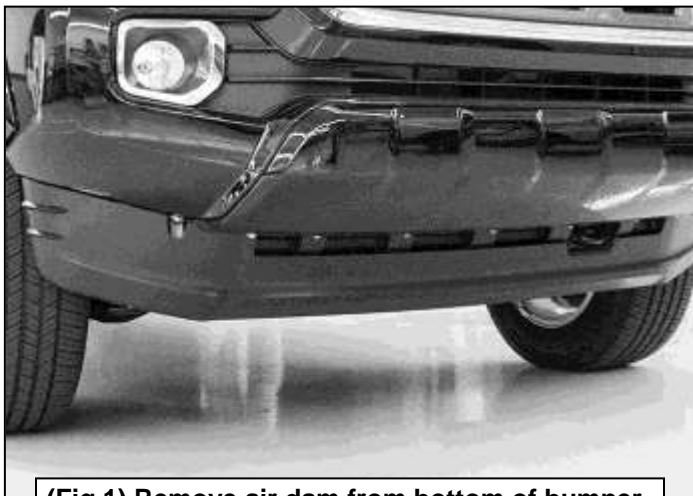
**PROCEDURE:**

1. REMOVE CONTENTS FROM BOX. VERIFY ALL PARTS ARE PRESENT. READ INSTRUCTIONS CAREFULLY BEFORE STARTING INSTALLATION. CUTTING IS REQUIRED. ASSISTANCE IS RECOMMENDED.
2. From under the front of the vehicle, remove the plastic front lower air dam, **(Figure 1)**. Next, remove the passenger side factory hex bolt on the bottom of the frame cross-member, **(Figure 2)**.
3. Select (1) 10mm x 40mm Bolt Plate and Plastic Retainer, **(Figure 3)**. Partially thread the Plastic Retainer onto the Bolt Plate. Insert the Bolt Plate into the large hole in the forward facing end of the frame. Thread the Plastic Retainer down tight against the frame, **(Figure 4)**. **NOTE:** The Plastic Retainer is designed to hold the Bolt Plate in place during Bracket installation.
4. Select the passenger side Frame Mounting Bracket. Attach the top tab on the Bracket to the Bolt Plate with (1) 10mm Flat Washer, (1) 10mm Lock Washer and (1) 10mm Hex Nut, **(Figure 5)**. Leave loose at this time. Reuse the factory hex bolt removed in **Step 2** to attach lower mounting tab on the Bracket to the threaded hole in the bottom of the cross-member. Snug but do not fully tighten hardware.
5. Repeat **Steps 2—4** for driver side Frame Mounting Bracket installation, **(Figure 6)**.

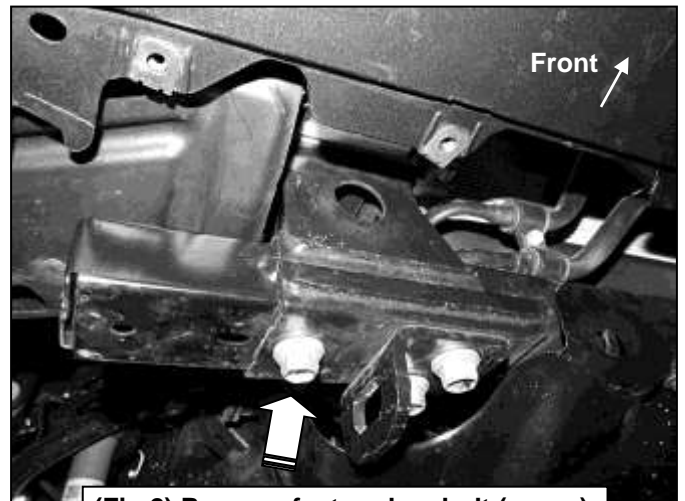
6. Open the hood on the vehicle and remove the plastic cover between the top of the radiator and the grille. Locate the steel cross-member mid-way up in front of the radiator, **(Figure 7)**. Cross-member can also be viewed and accessed from below the vehicle, **(Figure 8)**. Locate the factory holes in the bottom of the cross-member at each end, **(Figure 8)**. Select (1) 10mm x 25mm Bolt Plate, **(Figure 9)**. Insert the Bolt Plate through the back of the cross-member and down through the hole in the bottom of the cross-member, **(Figures 10 & 11)**.
7. Slide the passenger side Top Bracket through the plastic grille opening. Attach the flat end of the Top Bracket to the Bolt Plate with the included (1) 10mm Flat Washer, (1) 10mm Lock Washer and (1) 10mm Hex Nut, **(Figures 12 & 13)**. Do not tighten hardware at this time.
8. Repeat **Steps 6 & 7** for driver side Top Bracket installation.
9. With assistance, position the Grille Guard onto the outside of the Mounting Brackets. Use the included (6) 10mm x 35mm Hex Bolts, (12) 10mm Flat Washers, (6) 10mm Lock Washers and (6) 10mm Hex Nuts to attach the Grille Guard to the Mounting Brackets, **(Figure 14)**.
10. Line up the bent end of the passenger side Top Bracket with the corresponding hole in the upright on the Grille Guard. Bolt the Top Bracket to the Grille Guard with the included (1) 10mm x 35mm Button Head Bolt, (2) 10mm Flat Washers, (1) 10mm Lock Washer and (1) 10mm Hex Nut, **(Figure 16)**. Do not tighten hardware. Repeat this Step to attach the driver side Top Bracket to the Grille Guard.
11. Align the Grille Guard properly and tighten all Frame Bracket to frame hardware only. Temporarily remove the Grille Guard.
12. Hold the air dam, (removed in **Step 2**), up in approximate location against the previously installed Frame Brackets. Trace the location of the Frame Brackets onto the back of the air dam, **(Figure 15)**. Use a sharp knife or hacksaw blade to carefully cut slots out of the air dam to clear the Frame Brackets and Grille Guard. **IMPORTANT:** For best results, start with a small opening and cut as little as possible to clear the Brackets. Reinstall the air dam over the Brackets. Reinstall the Grille Guard and fully tighten all hardware.
13. Do periodic inspections to the installation to make sure that all hardware is secure and tight.

**To protect your investment**, wax this product after installing. Regular waxing is recommended to add a protective layer over the finish. Do not use any type of polish or wax that may contain abrasives that could damage the finish. Mild soap may be used to clean the Grille Guard.

### Passenger Side Installation Pictured



**(Fig 1) Remove air dam from bottom of bumper**



**(Fig 2) Remove factory hex bolt (arrow)**

10mm x 40mm Bolt Plate  
10mm Plastic Retainer

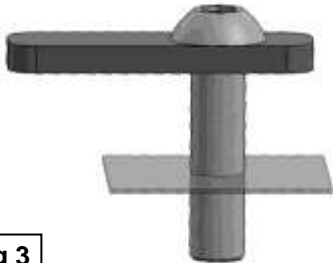
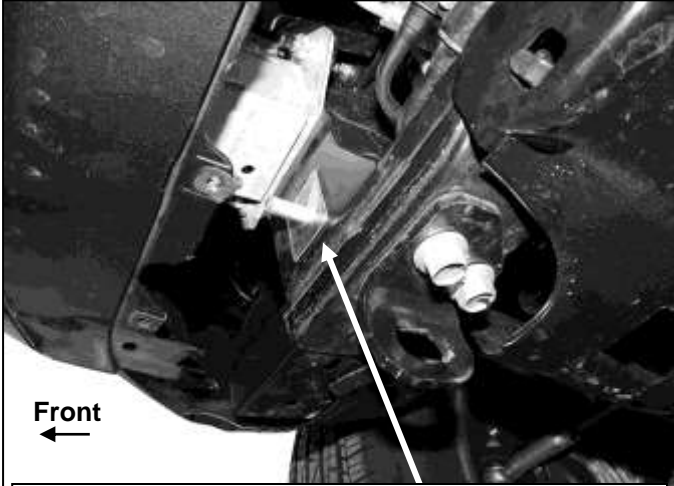
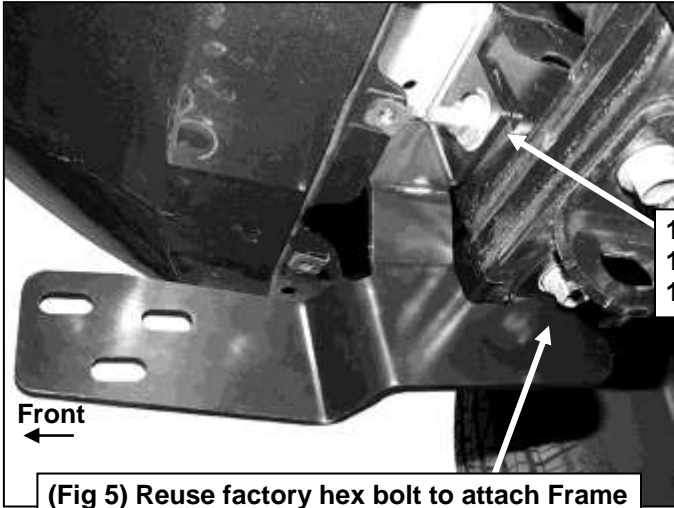


Fig 3



(Fig 4) Insert Bolt plate into factory hole in end of frame. Tighten Retainer to hold Bolt Plate in place

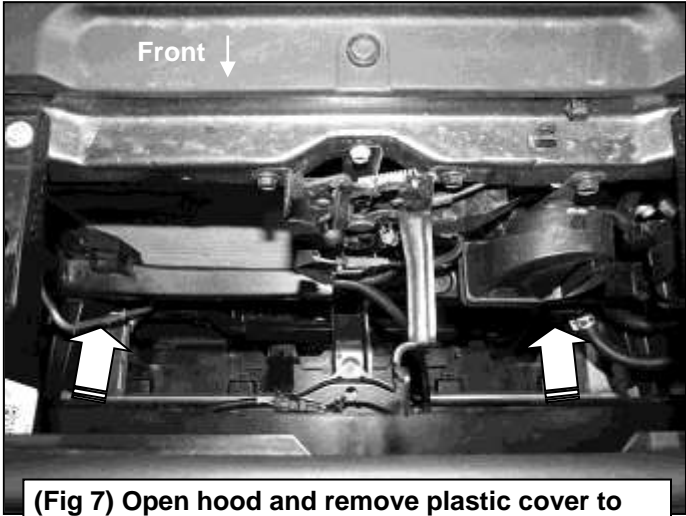


10mm Flat Washer  
10mm Lock Washer  
10mm Hex Nut

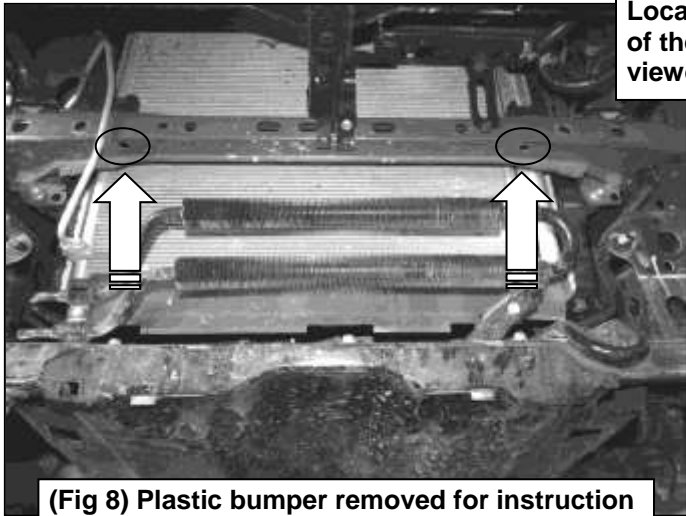
(Fig 5) Reuse factory hex bolt to attach Frame Bracket to bottom of cross-member



(Fig 6) Driver side Frame Bracket installed

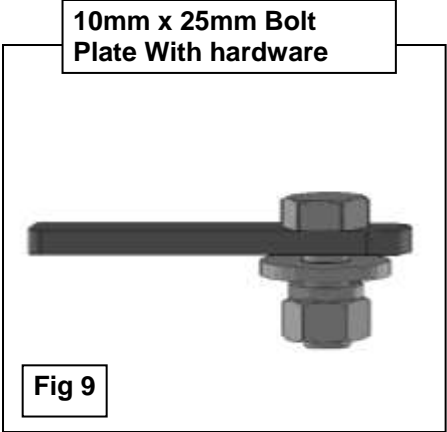


(Fig 7) Open hood and remove plastic cover to locate cross-support in front of radiator (arrows)



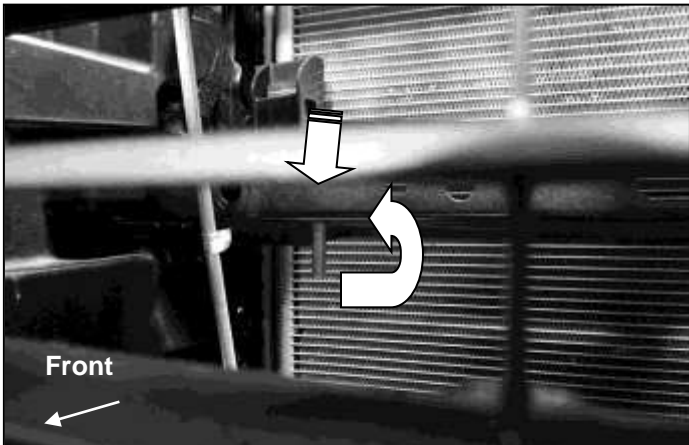
Locate the outer holes in the bottom of the radiator cross support (arrow) viewed from below

(Fig 8) Plastic bumper removed for instruction purposes only-do not remove bumper

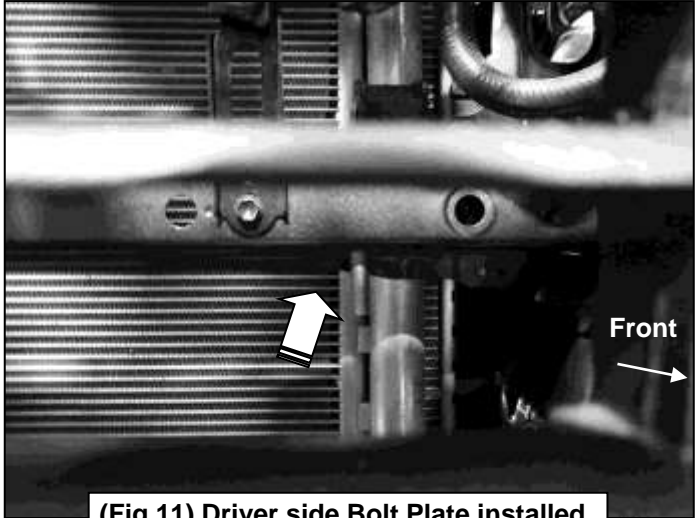


10mm x 25mm Bolt Plate With hardware

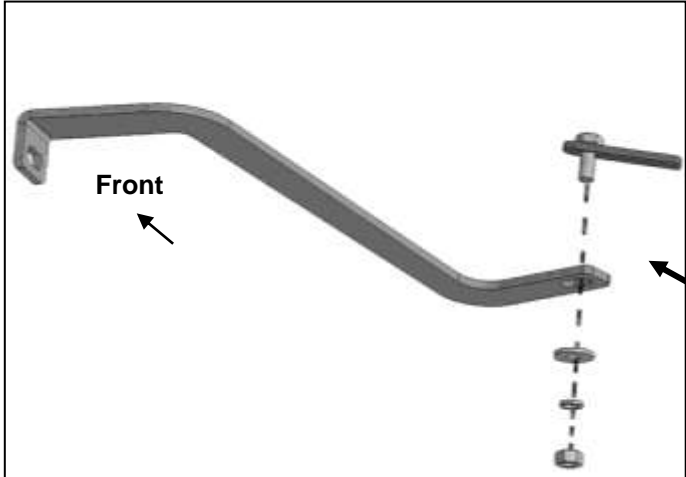
Fig 9



(Fig 10) Insert Bolt plate (arrow) into back of radiator cross support and down through hole in bottom (passenger side pictured through bumper)



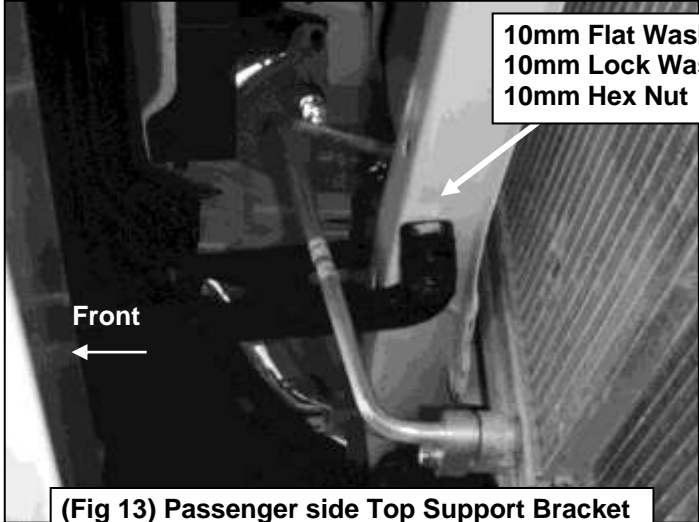
(Fig 11) Driver side Bolt Plate installed



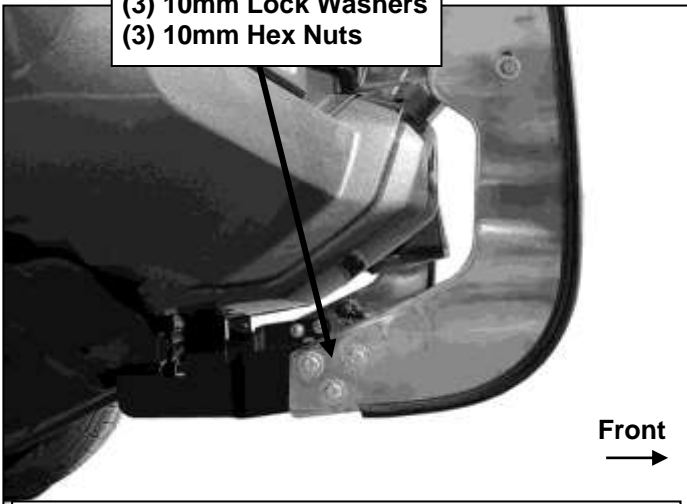
(Fig 12) Passenger side Top Support Bracket

10mm x 25mm Bolt Plate  
10mm Flat Washer  
10mm Lock Washer  
10mm Hex Nut

**Passenger Side Installation Pictured**



- 10mm Flat Washer
- 10mm Lock Washer
- 10mm Hex Nut



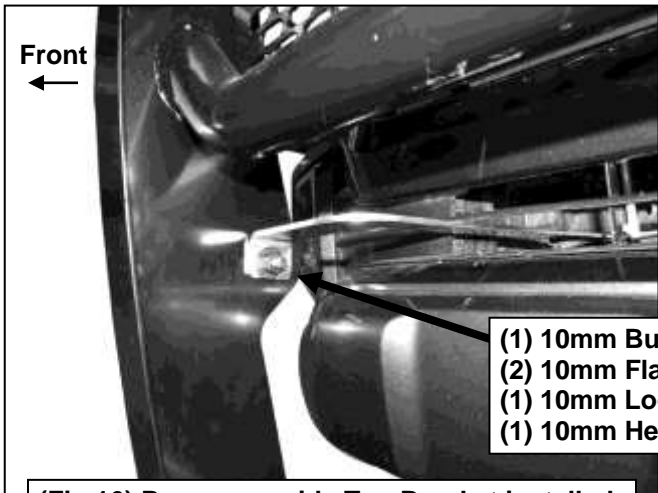
- (3) 10mm Hex Bolts
- (6) 10mm Flat Washers
- (3) 10mm Lock Washers
- (3) 10mm Hex Nuts

**(Fig 13) Passenger side Top Support Bracket installed-pictured from below bumper**

**(Fig 14) Attach Grille Guard to outside of Brackets**



**(Fig 15) Use removable tape (masking tape) or a marker to mark location of Frame Brackets onto back of air dam (arrows). Carefully cut small openings with a sharp knife or hacksaw blade.**



- (1) 10mm Button Head Bolt
- (2) 10mm Flat Washers
- (1) 10mm Lock Washer
- (1) 10mm Hex Nut

**(Fig 16) Passenger side Top Bracket installed**

