



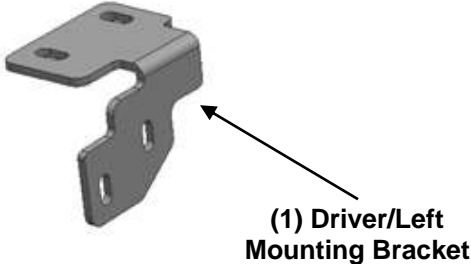
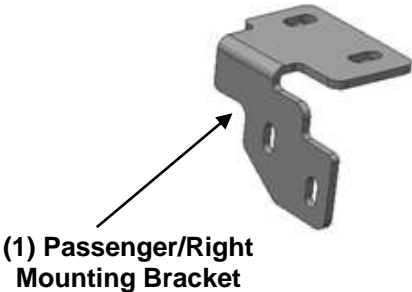
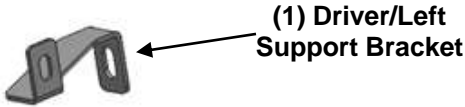
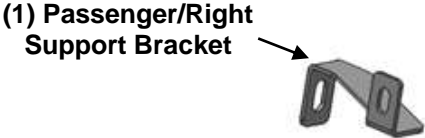
TEL: 1-866-XANATOS

INSTALLATION INSTRUCTIONS

**MODULAR RUGGED GRILLE GUARD FOR
19-23 FORD RANGER
PART# RU-FORA19-B**

PARTS LIST:

1	Main Body	18	8mm x 24mm OD x 2mm Flat Washers
1	Driver/Left Brush Guard	8	10mm x 27mm OD x 3mm Flat Washers
1	Passenger/Right Brush Guard	4	10mm Nylon Lock Nuts
2	LED Lamp Bracket	4	10mm x 35mm Hex Bolts
1	Driver/Left Mounting Bracket	2	8mm x 25mm Hex Bolts
1	Passenger/Right Mounting Bracket	4	8mm x 16mm OD x 1.6mm Flat Washers
1	Driver/Left Support Bracket	2	8mm Nylon Lock Nuts
1	Passenger/Right Support Bracket	4	12mm x 45mm Hex Bolts
1	Allen Wrench S=5	4	12mm x 44mm OD x 4mm Flat Washers
8	8mm Nylon Lock Nuts	4	12mm Lock Washers
10	8mm x 25mm Button Head Allen Screws		



(2)LED lamp Bracket



Main Body
For example only



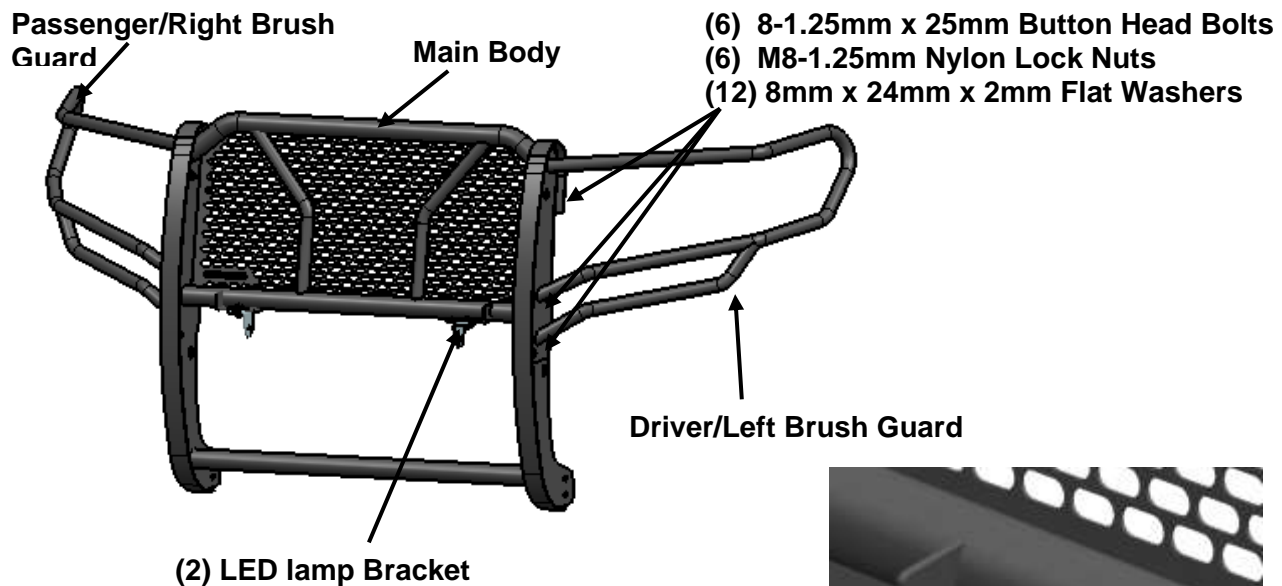
Passenger/Right
Brush Guard
For example only



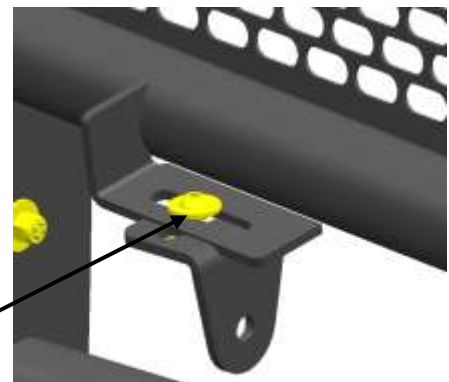
Driver/Left
Brush Guard
For example only

Please Noted:

1. Before you install the Grille Guard on the vehicle, please install the Driver/Left Brush Guard and Passenger/Right Brush Guard on the main body first.
2. Before you install the LED Lamp on the main body please install the LED Lamp Bracket first.
3. If you are not going to install a LED Lamp, the LED Lamp Bracket installation is unnecessary. For main body installation follow the instruction as bellow.



- (2) 8-1.25mm x 25mm Button Head Bolts
(2) M8-1.25mm Nylon Lock Nuts
(4) 8mm x 24mm x 2mm Flat Washers



PROCEDURE:

REMOVE CONTENTS FROM BOX AND VERIFY ALL PARTS ARE PRESENT. READ INSTRUCTIONS CAREFULLY. CUTTING MAY BE REQUIRED. ASSISTANCE IS RECOMMENDED. INSTALLATION MAY INTERFERE WITH FRONT MOUNTED SENSORS.

1. Start installation under the front of the vehicle.
2. Determine if the vehicle is equipped with tow hooks, **(Figure 1)**.

Tow Hook equipped vehicles:

- a. Remove the plastic cover attached to the tow hook, **(Figure 1)**. Next, remove the tow hook from the bottom of the frame, **(Figures 2—4)**. On models with steel skid plate, temporarily remove skid plate, **(Figure 3)**.
- b. Proceed to **Step 3**.

Vehicles without tow hooks:

- a. Cut out the lower section of the indented area in both sides of the plastic bumper to clear the Brackets as pictured, **(Figure 5)**. **NOTE:** Hold the Frame Mounting Bracket up to the back of the bumper to determine area to remove to clear Bracket. **IMPORTANT:** Make several small cuts for best fit.
- b. Insert the Mounting Brackets through the openings in the bumper to check for clearance around Brackets and hardware. Trim the plastic as required to clear the Brackets.

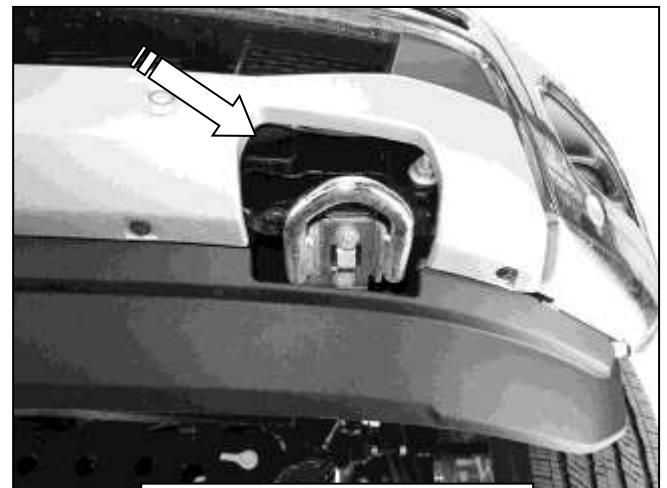
3. Select the Driver/Left Frame Mounting Bracket. Hold the Bracket up to the bottom of the frame. Line up the holes in the Bracket with the (2) mounting bolt holes for the tow hook, **(Figure 6)**.
Models without tow hooks:
 - a. Attach the Bracket to the threaded holes in the frame with (2) 12mm x 45mm Hex Bolts, (2) 12mm Lock Washers and (2) 12mm Flat Washers, **(Figure 6)**.
 - b. Repeat to attach the Passenger/Right Frame Bracket.**Models with tow hooks:**
 - a. Install the Bracket between the tow hook and the bottom of the frame, **(Figure 7)**.
 - b. Attach the Bracket and tow hook to the threaded holes in the frame with (2) 12mm x 45mm Hex Bolts, (2) 12mm Lock Washers and (2) 12mm Flat Washers, **(Figures 6 & 7)**. Leave hardware loose.
 - c. Repeat previous **Steps** to attach the Passenger/Right Frame Bracket and tow hook.
4. Next, from behind/below the Driver/Left side of the front bumper, locate and remove the top bumper bracket bolt, **(Figures 8 & 9)**. Apply removable tape (masking tape for example) to the top of the bumper in line with the factory bumper bolt, **(Figures 10 & 12)**.
5. Select the Driver/Left Support Bracket. Carefully slide the inner end of the Bracket through the gap between the lower bumper and upper plastic fascia panel. Reuse the factory bumper bolt to attach the Support Bracket to the back of the bumper bracket, **(Figures 10—12)**.
6. Repeat **Steps 4 & 5** to install the Passenger/Right Support Bracket.
7. With assistance, hold the Grille Guard up in position on the outside of the Mounting Brackets. Attach the Grille Guard to the Frame Mounting Brackets with the included (4) 10mm x 35mm Hex Bolts, (8) 10mm Flat Washers and (4) 10mm Nylon Lock Nuts, **(Figures 13 & 14)**. Do not tighten hardware at this time.
8. Attach the Grille Guard to the Support Brackets with (2) 8mm x 25mm Hex Bolts, (4) 8mm Flat Washers and (2) 8mm Nylon Lock Nuts, **(Figure 15)**.
9. Check the Grille Guard for alignment with the vehicle and for clearance between the Grille Guard and the bumper. Adjust as required then fully tighten all hardware.
10. Do periodic inspections to the installation to make sure that all hardware is secure and tight.

To protect your investment, wax this product after installing. Regular waxing is recommended to add a protective layer over the finish. Do not use any type of polish or wax that may contain abrasives that could damage the finish. Mild soap may be used to clean the Grille Guard.

Driver/Left Side Installation Pictured

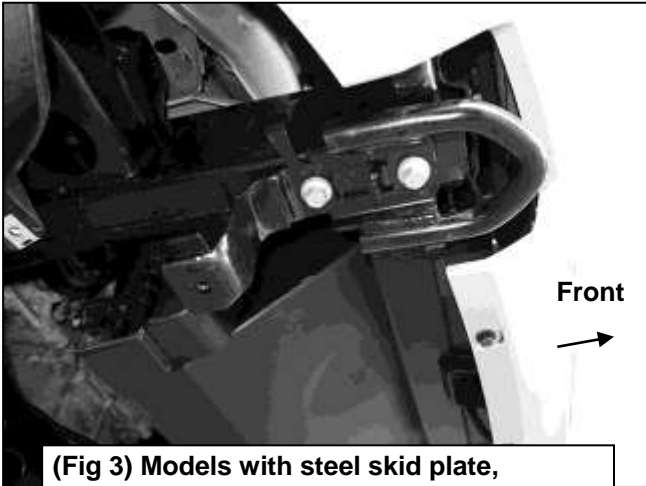


(Fig 1) Example of Tow hook



(Fig 2) Remove plastic cover surrounding tow hook

Driver/Left Side Installation Pictured



(Fig 3) Models with steel skid plate, temporarily remove skid plate to access tow hooks (Passenger/Right side pictured)

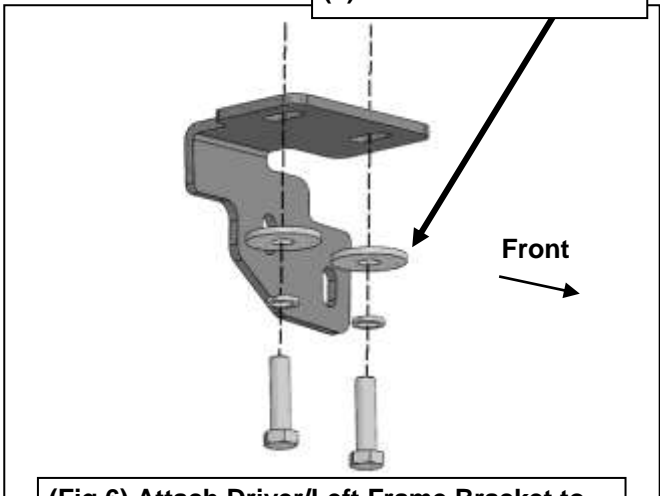


(Fig 4) Driver/Left mounting location

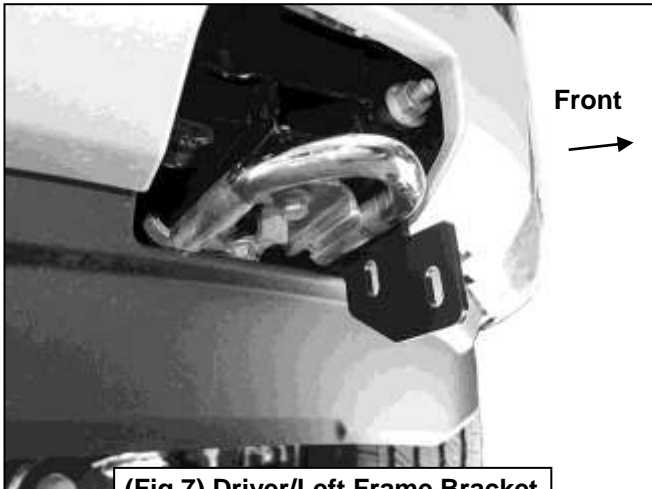


(Fig 5) Models without tow hooks, cut openings in lower plastic cover to clear Brackets

- (2) 12mm Hex Bolts
- (2) 12mm Lock Washers
- (2) 12mm Flat Washers

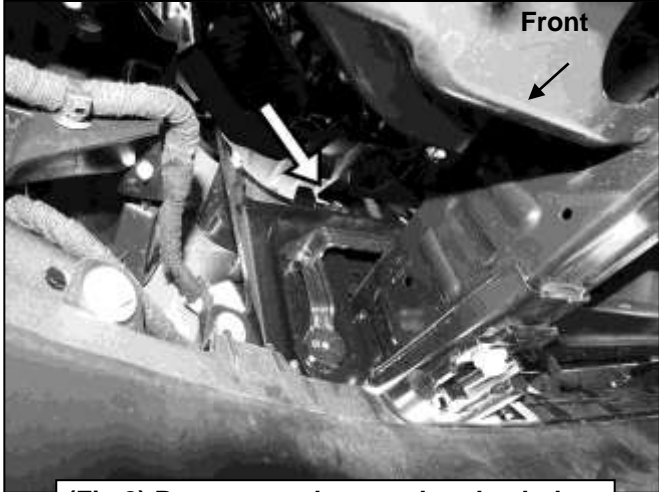


(Fig 6) Attach Driver/Left Frame Bracket to bottom of frame. Models with tow hooks, install Bracket between tow hook and frame

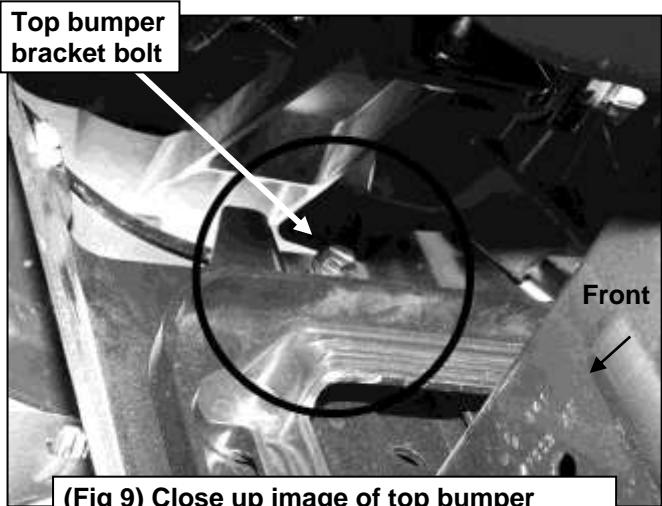


(Fig 7) Driver/Left Frame Bracket attached with tow hook

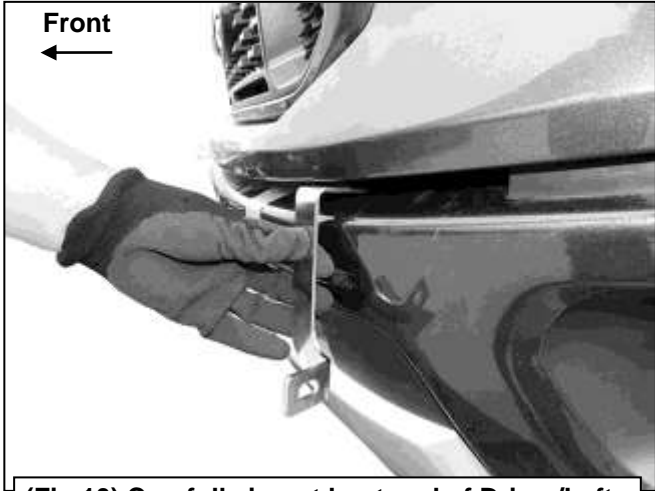
Driver/Left Side Installation Pictured



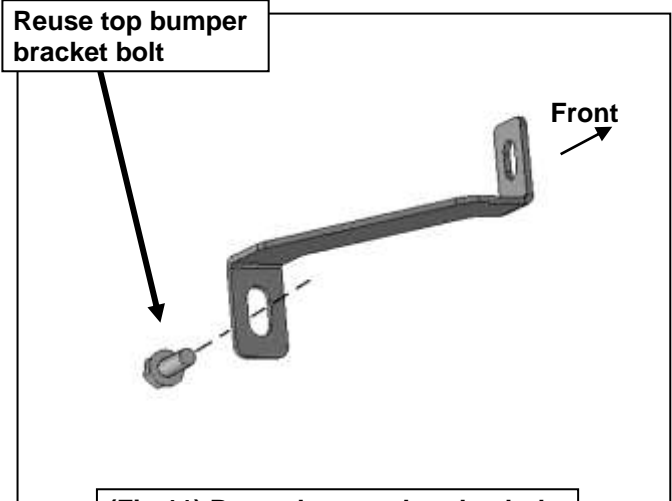
(Fig 8) Remove top bumper bracket bolt (arrow). Driver/Left side pictured from below and behind bumper (also see Fig 9)



(Fig 9) Close up image of top bumper bracket bolt. Driver/Left side pictured from below and behind bumper (also see Fig 8)



(Fig 10) Carefully insert bent end of Driver/Left Support Bracket through gap between lower bumper and upper plastic fascia panel. Use removable tape to protect finish on bumper



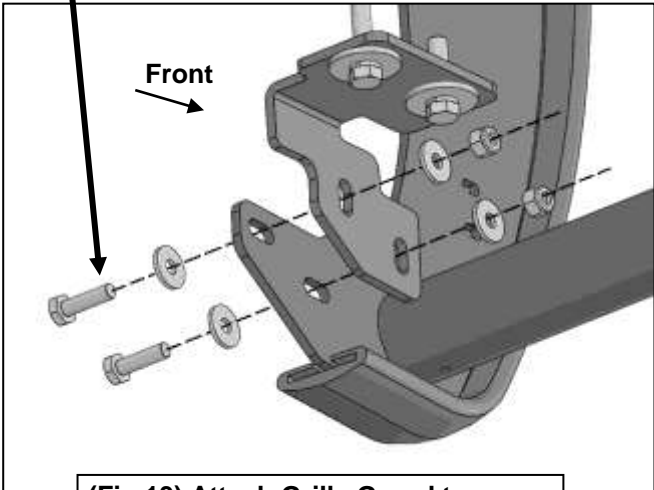
(Fig 11) Reuse bumper bracket bolt to attach Driver/Left Support Bracket to back of bumper bracket

Driver/Left Side Installation Pictured

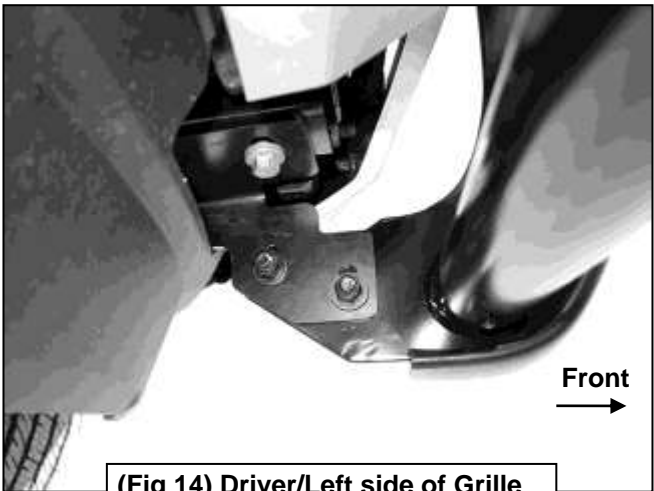


(Fig 12) Support Brackets attached

- (2) 10mm Hex Bolts
- (4) 10mm Flat Washers
- (2) 10mm Nylon Lock Nuts

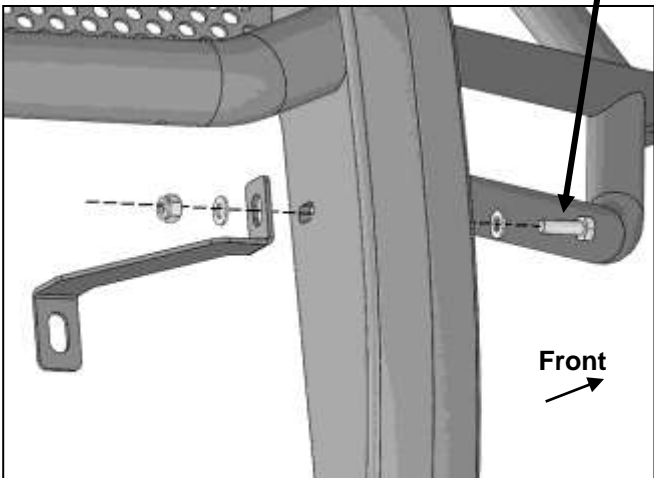


(Fig 13) Attach Grille Guard to outside of Driver/Left Frame Bracket



(Fig 14) Driver/Left side of Grille Guard attached to Frame Bracket

- 8mm Hex Bolt
- (2) 8mm Flat Washers
- 8mm Nylon Lock Nut



(Fig 15) Driver/Left side of Grille Guard attached to Support Bracket (For Example Only)