



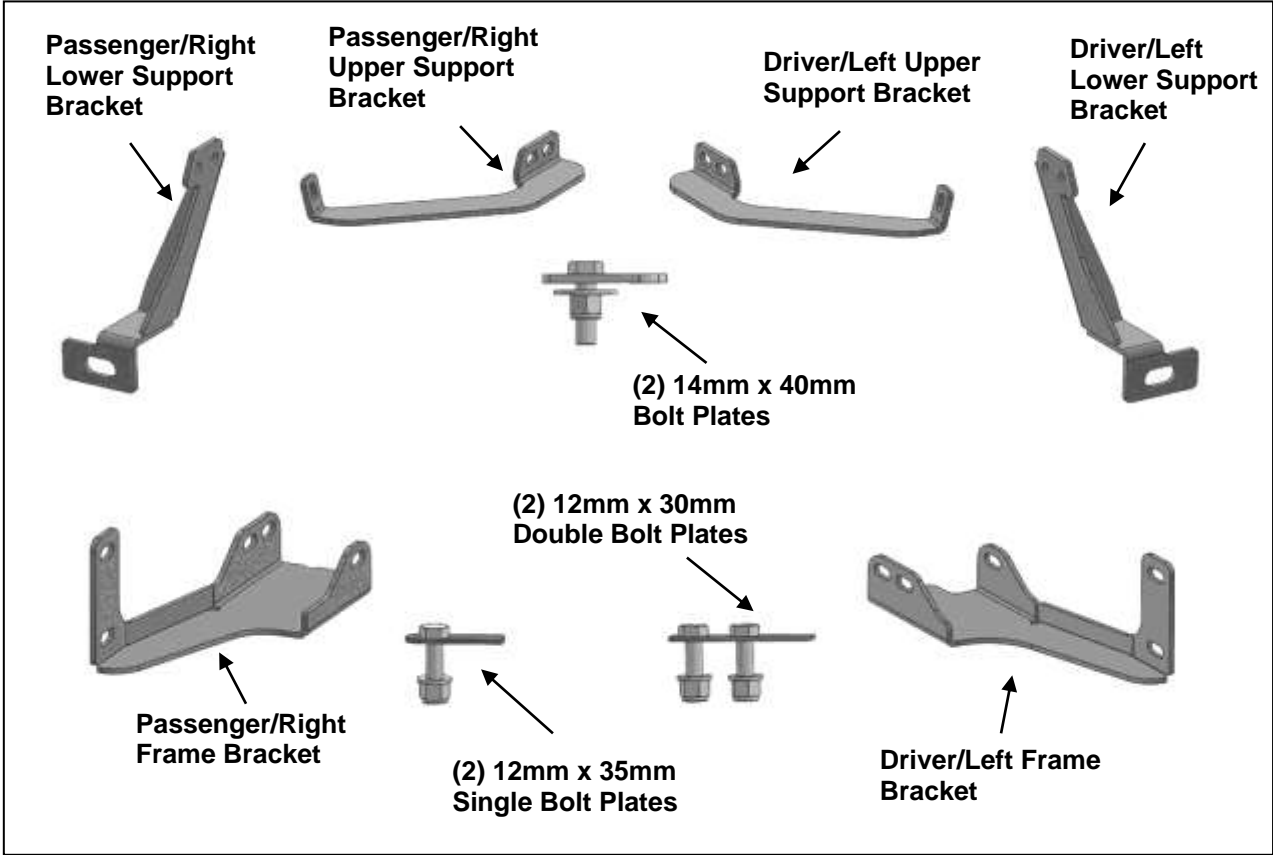
**TEL: 1-866-XANATOS**

# **INSTALLATION INSTRUCTIONS**

**MODULAR RUGGED GRILLE GUARD  
2015-2020 CHEVY TAHOE/SUBURBAN  
PART# RU-CHTA15-B**

**PARTS LIST:**

1	Main Body	6	12mm x 24mm x 2.5mm Flat Washers
1	Passenger/Right Brush Guard	6	12mm Nylon Lock Nuts
1	Driver/Left Brush Guard	2	12-1.75mm x 30mm Double Bolt Plates
2	LED lamp Bracket	2	12-1.75mm x 35mm Single Bolt Plates
1	Driver/left Side Frame Bracket	4	10-1.5mm x 30mm Hex Bolts
1	Passenger/right Side Frame Bracket	8	10mm x 27mm x 3mm Flat Washers
1	Driver Lower Support Bracket	4	10mm Nylon Lock Nuts
1	Passenger Side Lower Support Bracket	14	8-1.25mm x 25mm Button Head Allen Bolts
1	Driver Side Upper Support Bracket	8	8mm x 16mm x 1.6mm Flat Washers
1	Passenger Side Upper Support Bracket	22	8mm x 24mm x 2mm Flat Washers
2	14mm x 40mm Bolt Plates	12	8-1.25mm Nylon Lock Nuts
2	14mm x 44mm x 3mm Flat Washers	4	8-1.25mm x 25mm Hex Bolts
2	14mm Nylon Lock Nuts	6	8mm Lock Washers
		1	Allen Wrench S=5



(2)LED lamp Bracket



Main Body



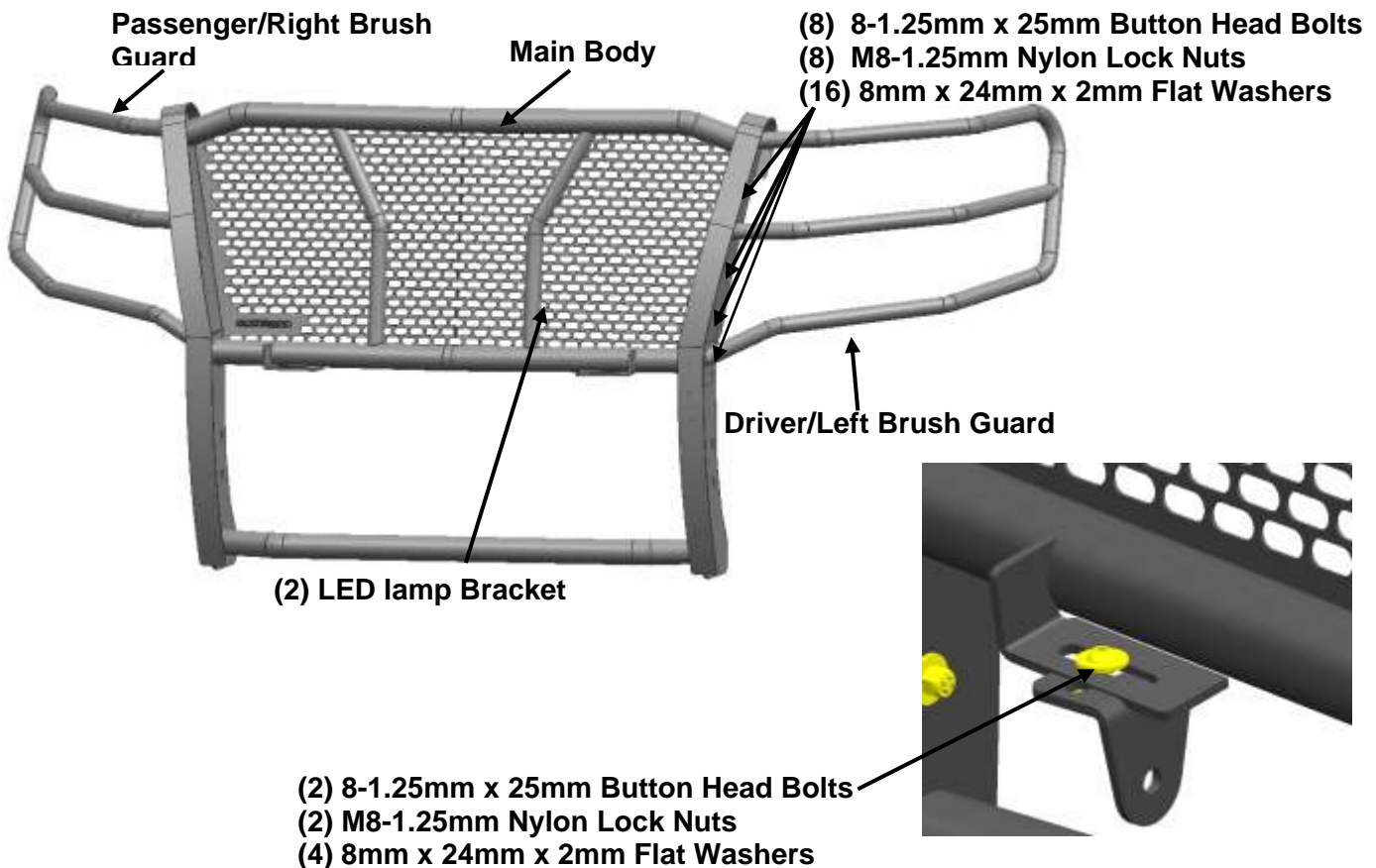
Passenger/Right Brush Guard



Driver/Left Brush Guard

**Please Noted:**

1. Before you install the Grille Guard on the vehicle, please install the Driver/Left Brush Guard and Passenger/Right Brush Guard on the main body first.
2. Before you install the LED Lamp on the main body please install the LED Lamp Bracket first.
3. If you are not going to install a LED Lamp, the LED Lamp Bracket installation is unnecessary. For main body installation follow the instruction as bellow.



**IMPORTANT:** The Grille Guard is designed to tilt forward to clear the attached grille on 2007-13 Tundra, 08-14 Sequoia models. To tilt the Grille Guard, the Quick Release Bolts on the Top Brackets must be released and the upper bolts on both Mounting Brackets may need to be loosened slightly. Make sure that all hardware is fully tightened after closing the hood. Carefully read Page 8, "Opening and Closing of Hood," before installing the Grille Guard.

**PROCEDURE:**

**REMOVE CONTENTS FROM BOX AND VERIFY ALL PARTS ARE PRESENT. READ INSTRUCTIONS CAREFULLY. DO NOT ATTEMPT INSTALLATION ALONE; PERSONAL INJURY OR DAMAGE TO THE VEHICLE MAY RESULT. CUTTING MAY BE REQUIRED. ASSISTANCE IS HIGHLY RECOMMENDED. INSTALLATION MAY INTERFERE WITH FRONT MOUNTED SENSORS AND ADAPTIVE CRUISE CONTROL. COMPLETE REMOVAL OF BUMPER COVER AND GRILLE ARE REQUIRED.**

1. Open the hood and remove the plastic cover between the top of the grille and the radiator, **(Figure 1)**. **NOTE:** Use a small flat blade screw driver to pop up the center of the plastic clips. On models without tow hooks, remove the front license plate if equipped.
2. Locate and remove the hardware attaching the grille. Remove the hardware attaching the bumper cover at the ends and along the bottom of the bumper. On models with fog lights, unplug the wiring harness leading to the front bumper. Carefully pull the grille straight out from

the vehicle and release the grille and bumper from the clips, **(Figures 2 & 3)**. **NOTE:** Make sure all hardware has been removed before pulling on the grille and bumper cover, **(Figure 2)**. Place bumper and grille assembly on a clean soft surface. Remove the plastic cover from the top of the steel inner bumper. On models with louvers in front of the radiator, temporarily remove the louver assembly, **(Figure 4)**.

3. Locate the top mounting hole on the driver/left side of the inner steel bumper, **(Figure 5)**. Insert (1) 14mm Bolt Plate into the mounting hole **(Figure 5)**. Repeat to install the Bolt Plate in the passenger/right side of the steel inner bumper.
4. Select the driver/left side Lower Support Bracket. Attach the Bracket to the Bolt Plate with (1) 14mm Flat Washer and (1) 14mm Nylon Lock Nut, **(Figure 6)**. Leave loose at this time. Trace the outline of the Bracket onto the plastic cover.
5. Repeat **Steps 3 & 4** to attach the passenger/right Lower Support Bracket. Trace the outline of the two Brackets onto the plastic cover removed in **Step 2**. Remove the cover and cut out the sections to clear the Brackets, **(Figure 7)**. **IMPORTANT:** Make several small cuts for best fit. Only remove enough plastic to clear the Brackets.
6. Reinstall the cover and louver assembly, if equipped. Tighten the hardware attaching the Brackets to the Bolt Plates.
7. On models with tow hooks, remove both tow hooks from the ends of the frame, **(Figure 8)**.
8. On models without tow hooks, remove the plastic fill panel from the center of the bumper cover, **(Figures 9 -12)**. Carefully cut out the pre-marked rectangular sections blocking off the ends of the frame. Reinstall the insert after cutting, **(Figure 13)**.
9. Reinstall the plastic bumper and grille but leave bottom hardware loose.
10. Select the driver/left side Frame Bracket, **(Figure 14)**. Insert the Bracket into the opening in the bumper cover. Line up the Bracket with the (3) holes in the frame for the tow hook. **NOTE:** On models with tow hooks, trim the plastic around the Bracket as necessary for clearance.
11. Select (1) 12mm Double Bolt Plate, **(Figure 15A)**. Insert the Double Bolt Plate into the end of the frame and out through the (2) holes in the side of the frame. Attach the Bracket to the Bolt Plate with (2) 12mm Flat Washers and (2) 12mm Nylon Lock Nuts, **(Figure 15B)**. Leave hardware loose. Repeat this **Step** to install the 12mm x 35mm Single Bolt Plate, **(Figure 16A)**, into the single remaining hole in the other side of the frame and Bracket, **(Figures 16B)**. Do not tighten.
12. Repeat **Steps 10 & 11** to install the passenger side Frame Bracket.
13. With assistance, hold the Grille Guard up to the outside of the Frame Brackets. Attach the Grille Guard to the Frame Brackets with (4) 10mm x 30mm Hex Bolts, (8) 10mm Flat Washers and (4) 10mm Nylon Lock Nuts, **(Figures 17 & 21)**.
14. Select the driver/left Upper Support Bracket, **(Figure 18)**. From above the grille, insert the Support Bracket down behind and out through the openings in the grille and up to the back of the upright on the grille guard, **(Figure 18)**. Line up the Upper Support Bracket with the hole in the Grille Guard and the Lower Support Bracket.
15. Once properly lined up, attach the Upper Bracket to the Lower Bracket with the included (2) 8mm Hex Bolts, (2) 8mm Lock Washers and (2) 8mm Flat Washer, **(Figures 18 & 19)**. Line up the bent end of the Bracket with the hole in the Grille Guard Upright. Attach the Bracket to the Upright with (1) 8mm Button Head Bolt, (2) 8mm Flat Washers and (1) 8mm Nylon Lock Nut, **(Figure 20)**. Do not tighten hardware at this time.
16. Repeat **Steps 14 & 15** to attach the passenger/right Top Bracket. **NOTE:** If additional side to side adjustment is needed for the Top Brackets, it will be necessary to loosen the hex nuts attaching the Top Mounting Brackets to the steel inner bumper. To access the hardware attaching the Lower Support Brackets to the 14mm Bolt Plates behind the bumper cover. Pull the plastic bumper cover forward to access the Hex Nuts. Once properly adjusted, fully tighten only the hardware attaching the Lower Top Brackets to the Bolt Plates.

17. Level and adjust the Grille Guard and fully tighten all hardware.

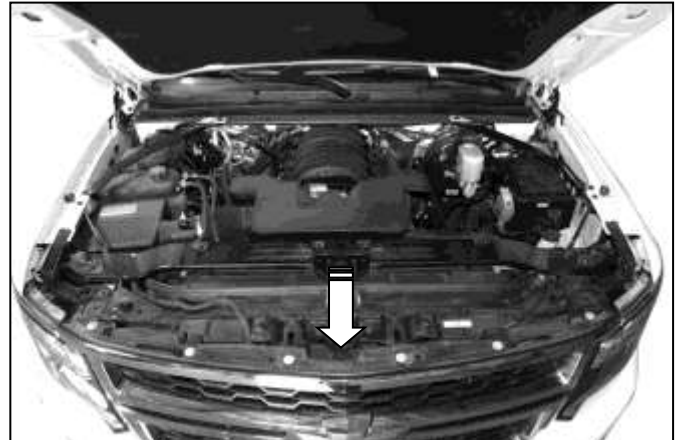
18. Attach the wiring harness if unplugged. Reinstall the plastic removed in **Steps 1 & 2**.

19. Do periodic inspections to the installation to make sure that all hardware is secure and tight.

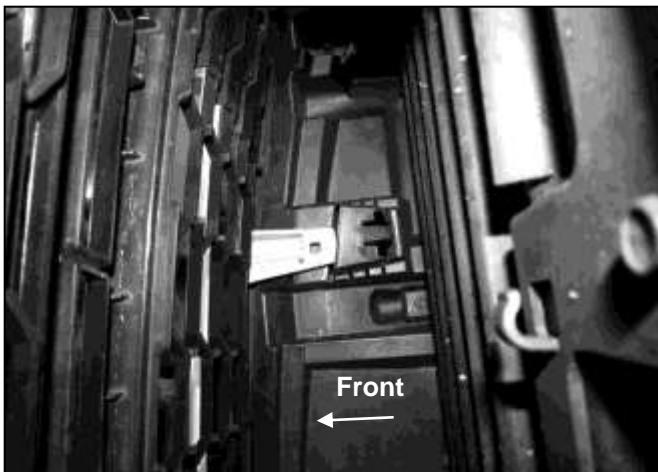
**To protect your investment**, wax this product after installing. Regular waxing is recommended to add a protective layer over the finish. Do not use any type of polish or wax that may contain abrasives that could damage the finish. Mild soap may be used to clean the XHD Grille Guard.



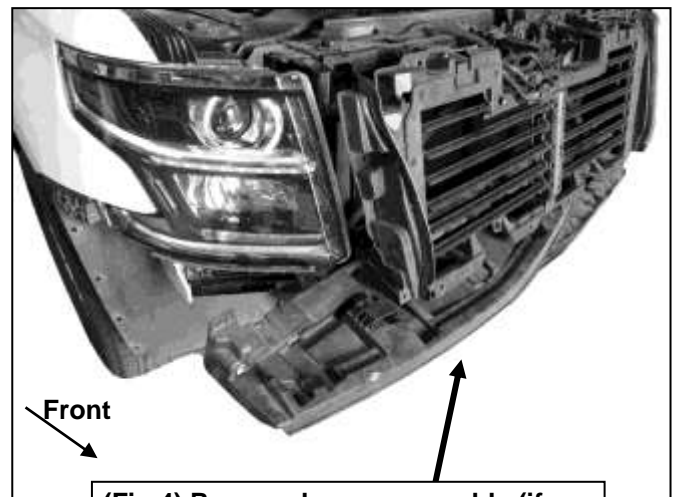
(Fig 1) Remove plastic cover from top of grille



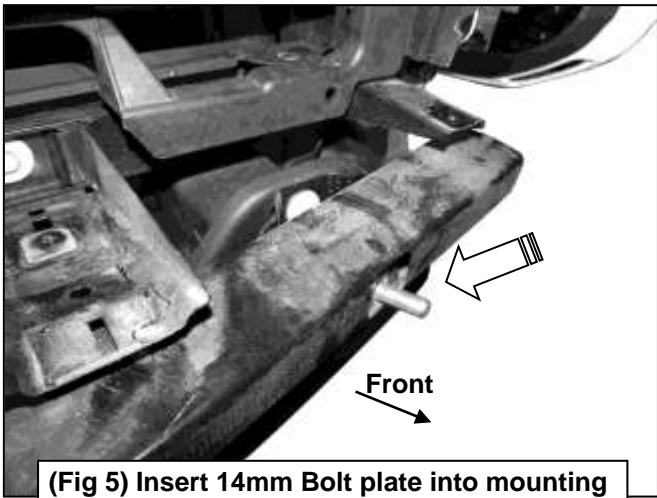
(Fig 2) Remove the plastic cover between the top of the grille and the radiator. Remove the top hardware securing the grille



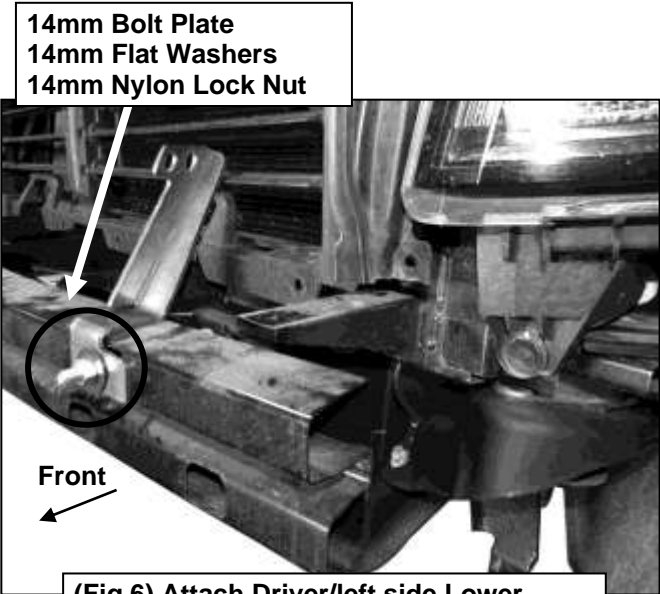
(Fig 3) Firmly pull grille straight out from vehicle



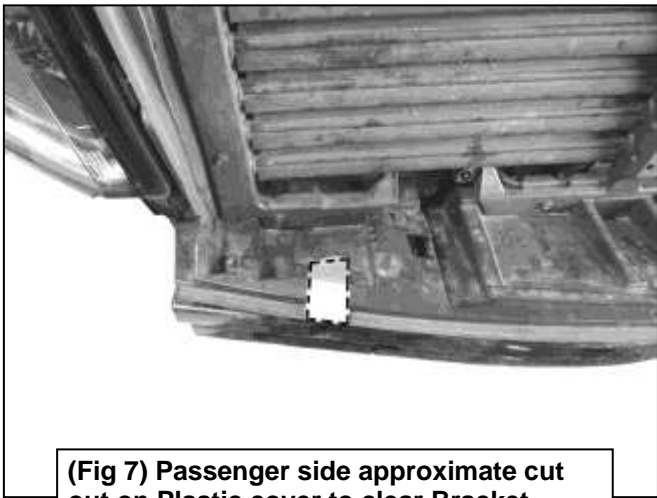
(Fig 4) Remove louver assembly (if equipped) and plastic cover (arrow)



(Fig 5) Insert 14mm Bolt plate into mounting hole in steel inner bumper (arrow)



(Fig 6) Attach Driver/left side Lower Support Bracket to front of steel bumper



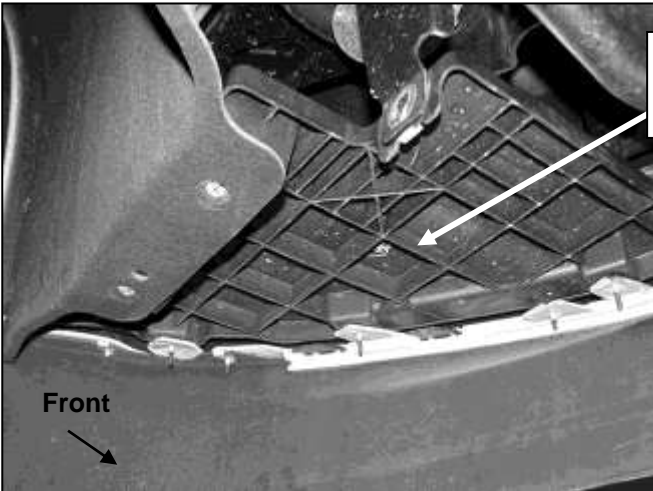
(Fig 7) Passenger side approximate cut out on Plastic cover to clear Bracket



(Fig 8) Tow hook pictured



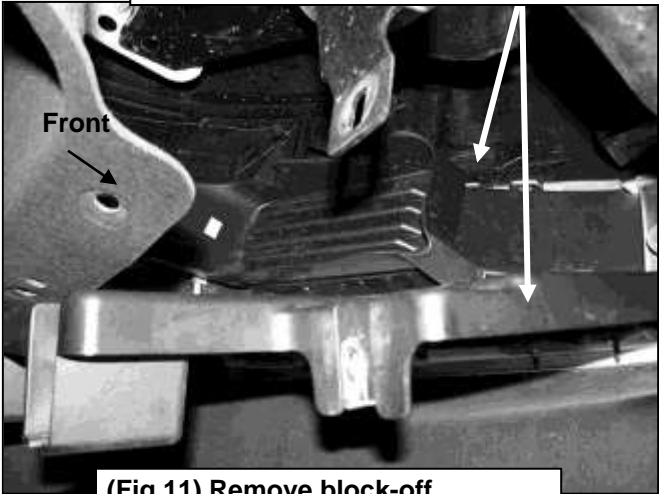
(Fig 9) Model without tow hooks



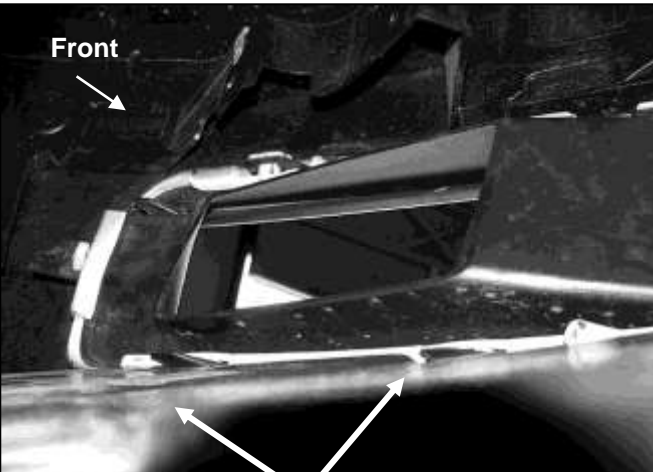
Remove hardware and drop down plastic fill panel to access back of bumper. Remove fill panel behind bumper or fog lights

(Fig 10) Driver side pictured from behind bumper

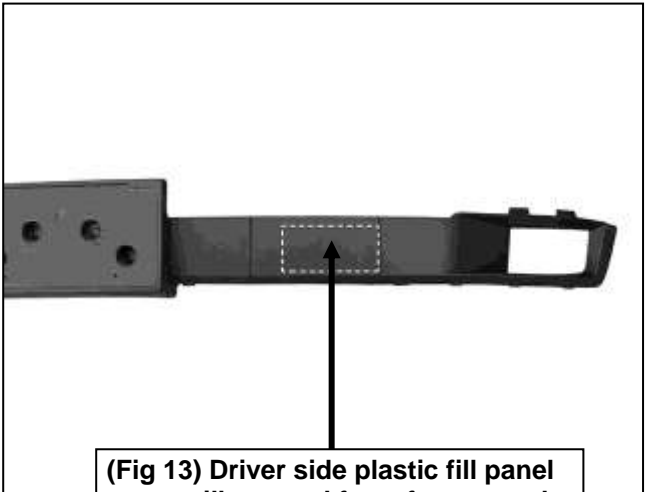
Models without tow hooks: Remove hardware and drop down plastic fill panel to access back of bumper. Remove block-off behind bumper or fog lights



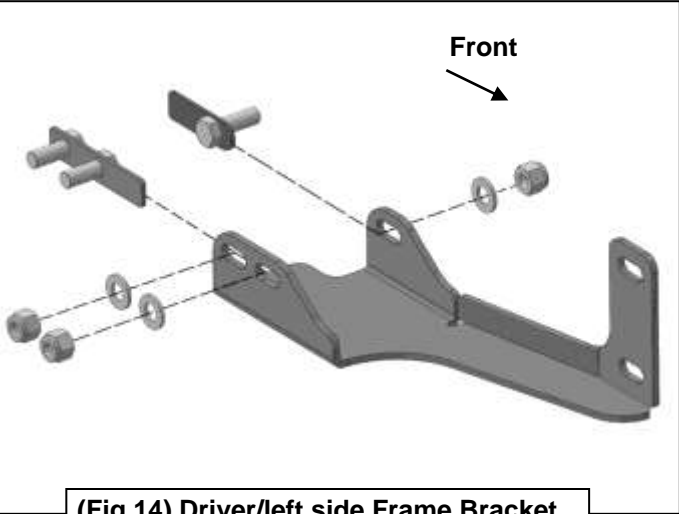
(Fig 11) Remove block-off (pictured) or fog lights if equipped



(Fig 12) Release clips to remove bumper fill panel



(Fig 13) Driver side plastic fill panel cut out illustrated for reference only



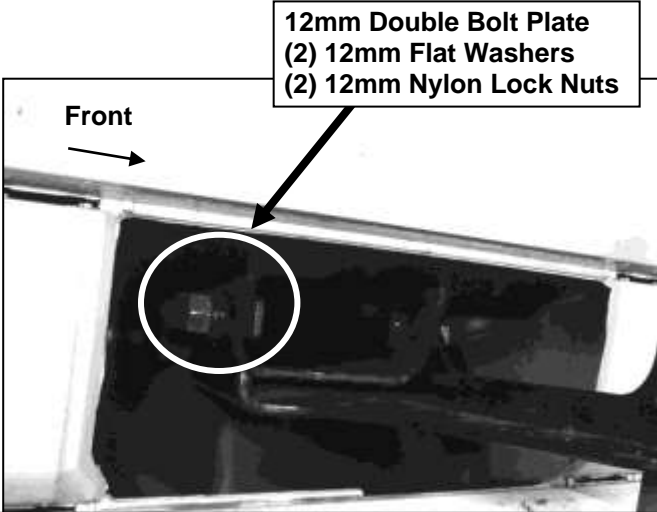
(Fig 14) Driver/left side Frame Bracket



(Fig 15A) 12mm Double Bolt Plate

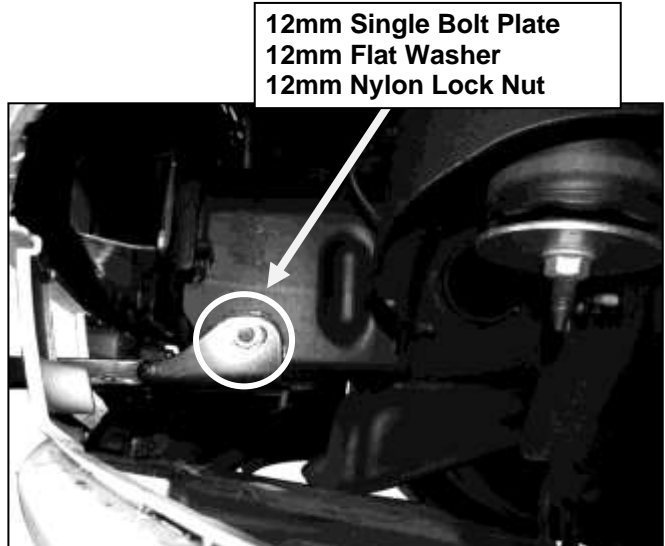


(Fig 16A) 12mm Single Bolt Plate



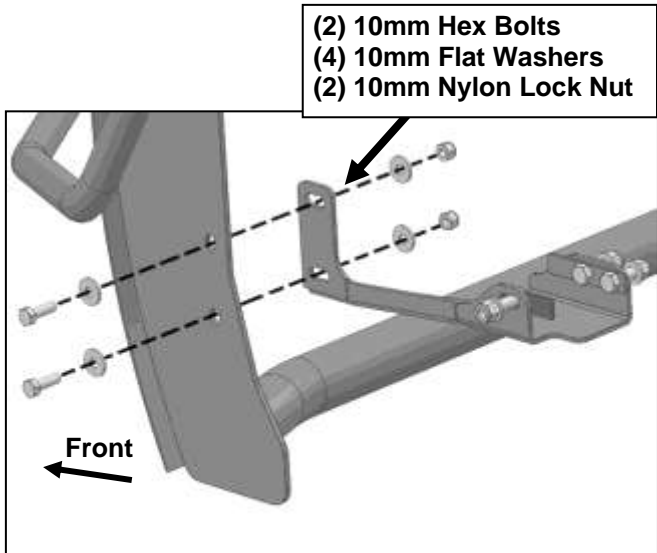
12mm Double Bolt Plate  
(2) 12mm Flat Washers  
(2) 12mm Nylon Lock Nuts

(Fig 15B) Driver side Bracket installation pictured without plastic panel for instruction purposes only



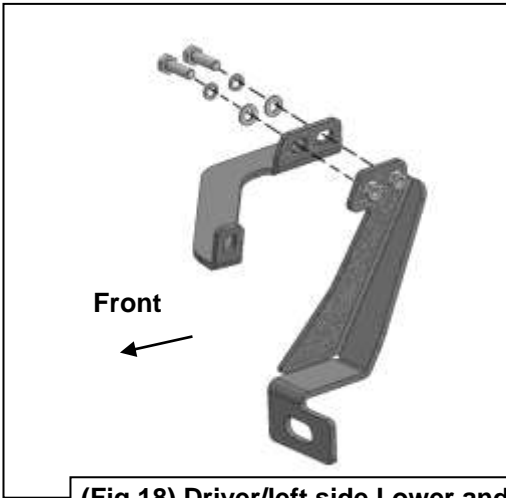
12mm Single Bolt Plate  
12mm Flat Washer  
12mm Nylon Lock Nut

(Fig 16B) Driver side Bracket installation pictured without plastic panel for instruction purposes only



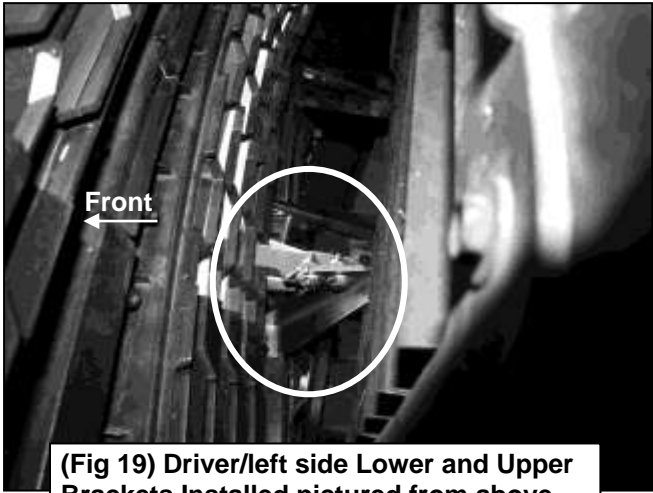
(2) 10mm Hex Bolts  
(4) 10mm Flat Washers  
(2) 10mm Nylon Lock Nut

(Fig 17) Driver/Left side Frame bracket attached to Extreme HD Grille Guard Illustrated

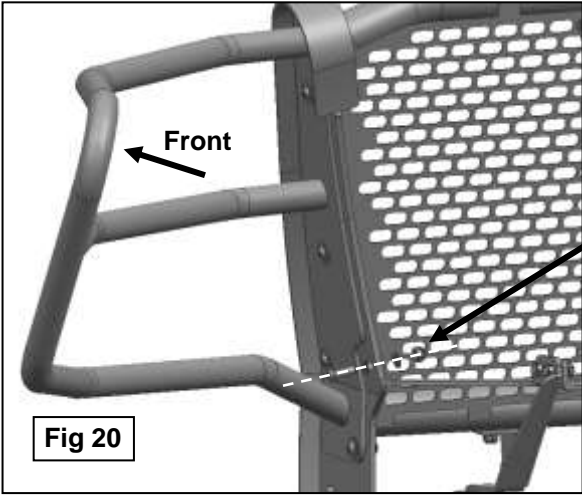


- (2) 8mm Hex Bolts
- (2) 8mm Lock Washers
- (2) 8mm Flat Washers

(Fig 18) Driver/left side Lower and Upper Bracket Assembled above

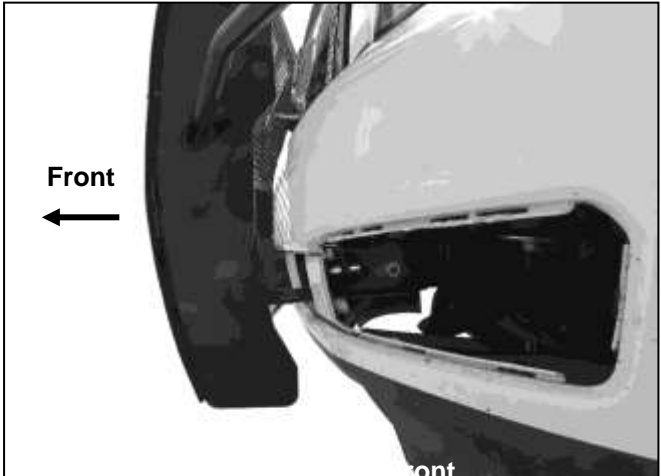


(Fig 19) Driver/left side Lower and Upper Brackets Installed pictured from above



- (1) 8mm Button Head Bolt
- (2) 8mm Flat Washer
- (1) 8mm Nylon Lock Nut

Fig 20



(Fig 21) Attach Grille Guard to Mounting Brackets



Complete Installation