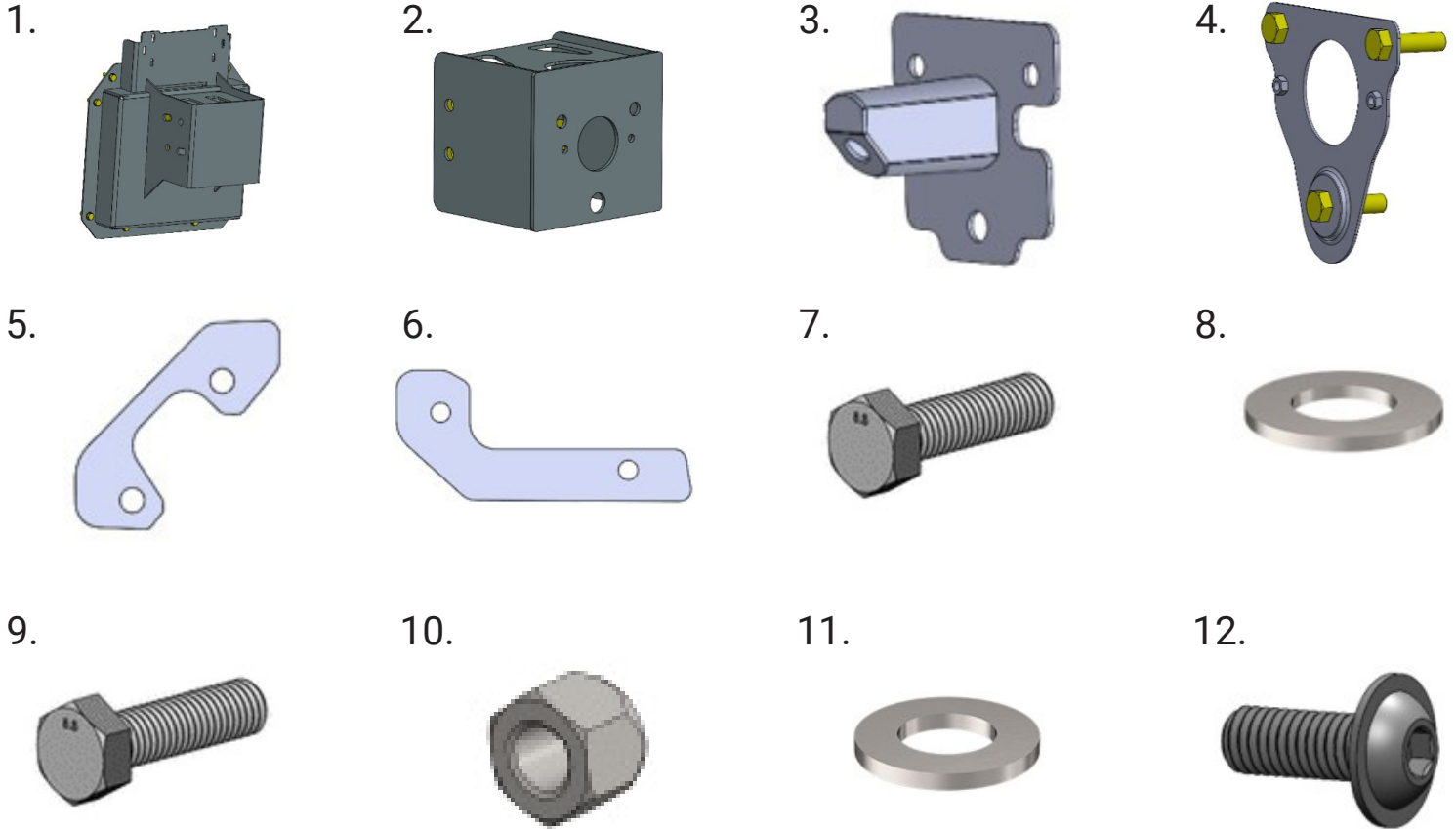


Components and Hardware:



Components and Hardware:

1. Base Wheel Mount.....	(1)
2. Adjustable Wheel Mount Bracket	(1)
3. Camera Shield.....	(1)
4. Stud Plate.....	(1)
5. Upper Spacer.....	(1)
6. Lower Spacer	(1)
7. M8 x 30mm Hex Head Bolt.....	(8)
8. M8 Washer	(8)
9. M12 Hex Head Bolt.....	(4)
10. M12 Lock Nut.....	(4)
11. M12 Washer	(8)
12. M6 Flange Head Bolt.....	(2)

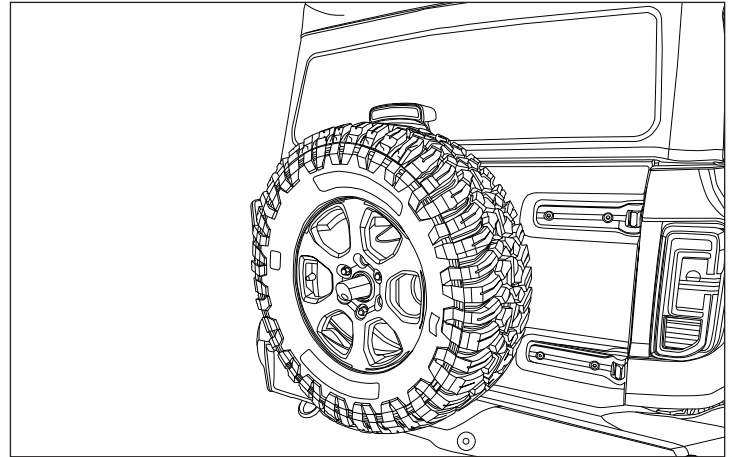
Tools for Installation:

- 13mm socket
- 18mm socket
- 19mm socket
- 3/8" and 1/2" socket driver
- 4mm allen wrench
- 4.5mm allen wrench
- T-30 torx socket
- T-45 Torx socket

HD Wheel Mount, Bronco

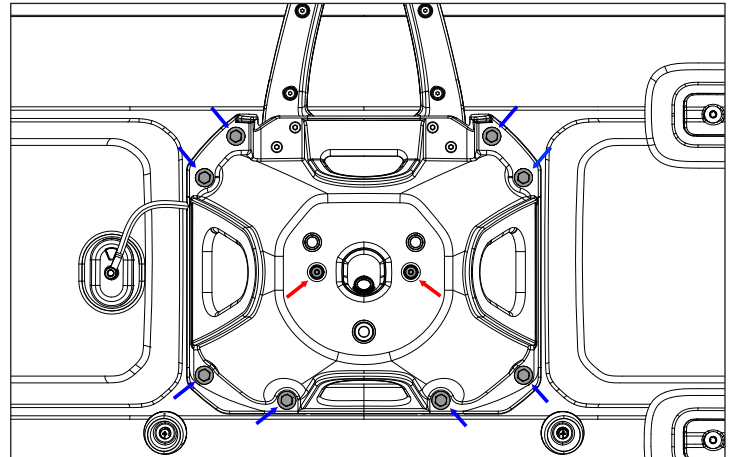
1. Remove spare tire from the tailgate.

Note: If installing the Havoc Tailgate Hinge, HFB-05-020, refer to those instructions now.

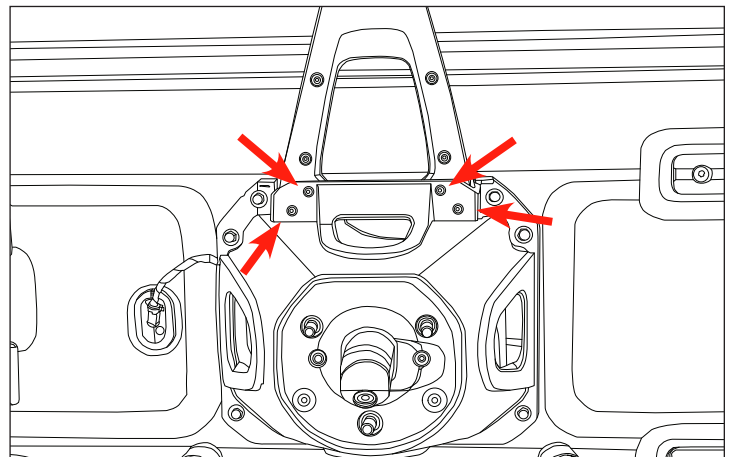


Note: Have a table or cart close to the tailgate to place the OE tire carrier on after removing it.

2. Remove the 2 torx bolts next to the camera. Remove the 8 bolts securing the OE tire carrier to the tailgate.

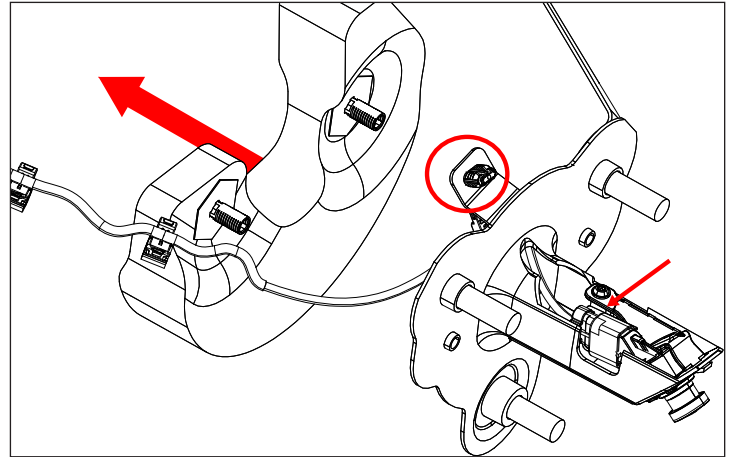


3. Place the tire carrier onto nearby table or cart. Remove the 4 screws holding the OE 3rd brake light to the tire carrier.



HD Wheel Mount, Bronco

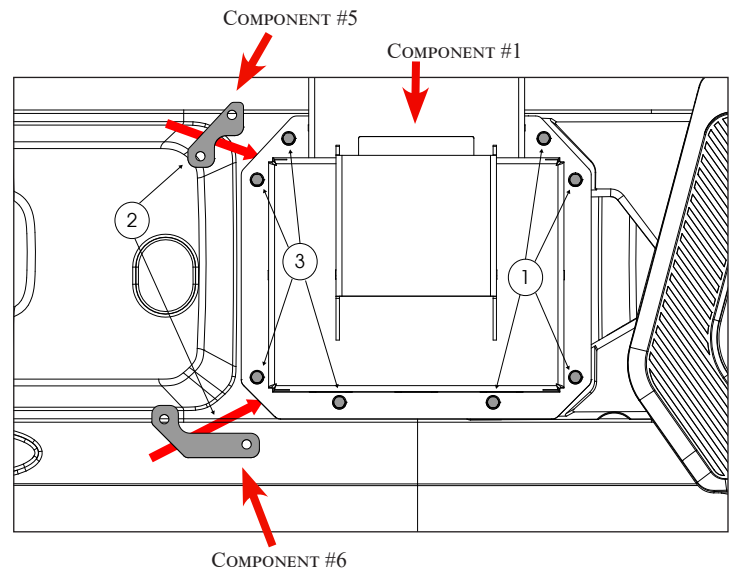
4. Inside the carrier, remove the insulation bracket behind the camera. Using a pry tool, separate the camera wire harness from the metal bracket and pull out the camera assembly. Disconnect the camera from the wire harness. Let 3rd brake light and wire harness hang below the tailgate. Set OE tire carrier to the side.



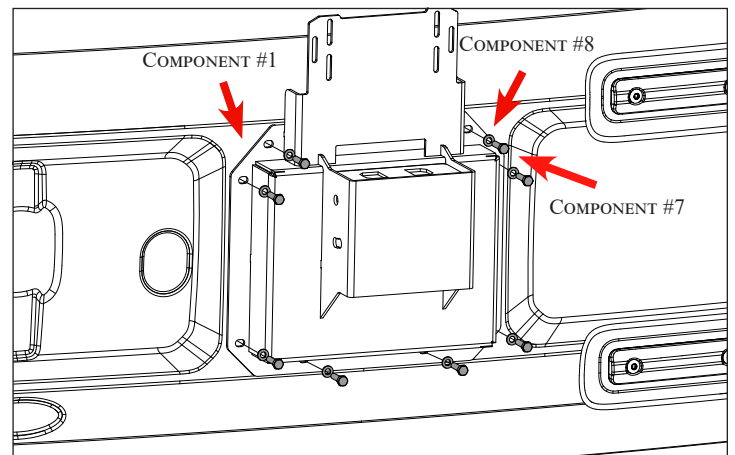
Skip to step 6 if using OE tailgate hinge.

5. Align wheel mount to tailgate. Using only the passenger side mounting holes (1), loosely attach the wheel mount using supplied M8 hex bolts(#7) and washers(#8).

Gently slide the upper and lower spacers between the wheel mount and tailgate (2). Install the remaining M8 hex head bolts and washers to the tailgate (3). Tighten all M8 hex head bolts. **Skip to step 7.**

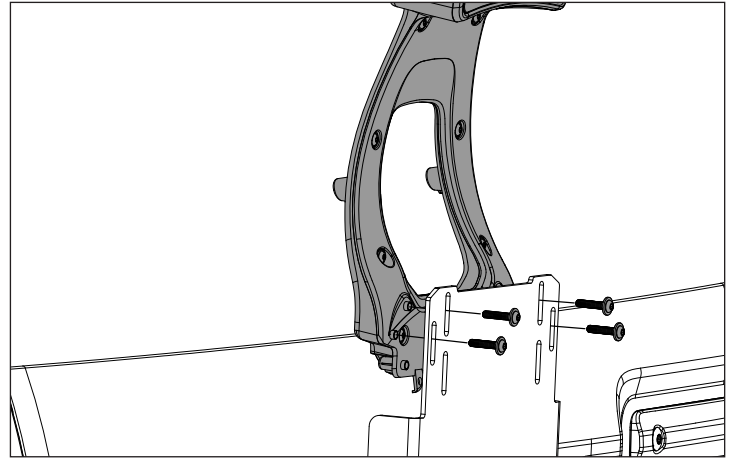


6. If you are installing the wheel mount **without** the Havoc hinge casting, loosely attach wheel mount to tailgate using supplied M8 hex head bolt(#7) and washers(#8).

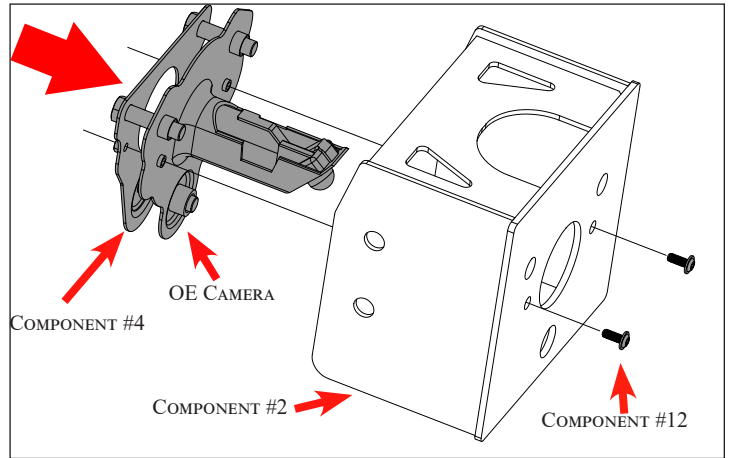


HD Wheel Mount, Bronco

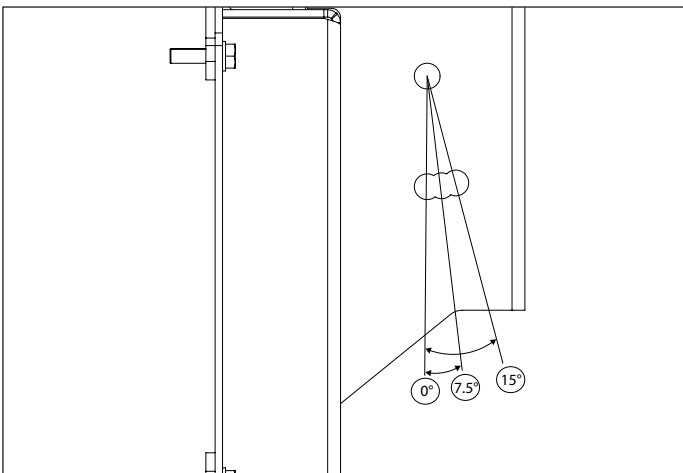
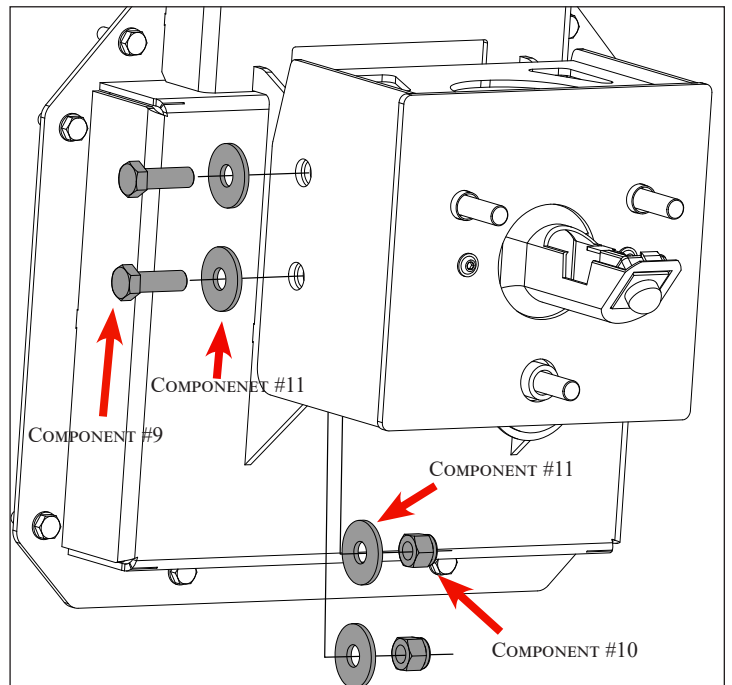
7. Reusing the OE hardware, attach 3rd brake light to the wheel mount.



8. Reconnect OE camera to wire harness. Position OE camera housing into adjustable wheel mount bracket. Using supplied M6 flange head bolt, attach stud plate to adjustable wheel mount bracket.

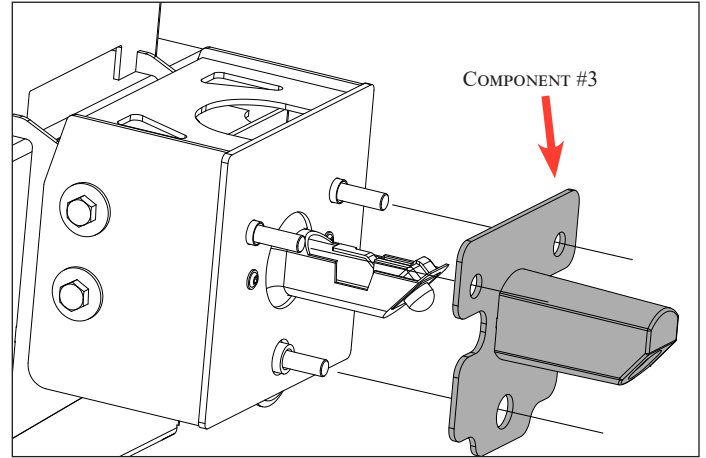


9. Using supplied M12 hardware, attach adjustable wheel mount bracket to the wheel mount. Be careful not to pinch any of the camera wires. See wheel position angles below.



HD Wheel Mount, Bronco

10. Slide camera shield over camera.



11. Reattach the spare tire using OE lug nuts. Adjust 3rd brake light up or down to ensure it is visible.

