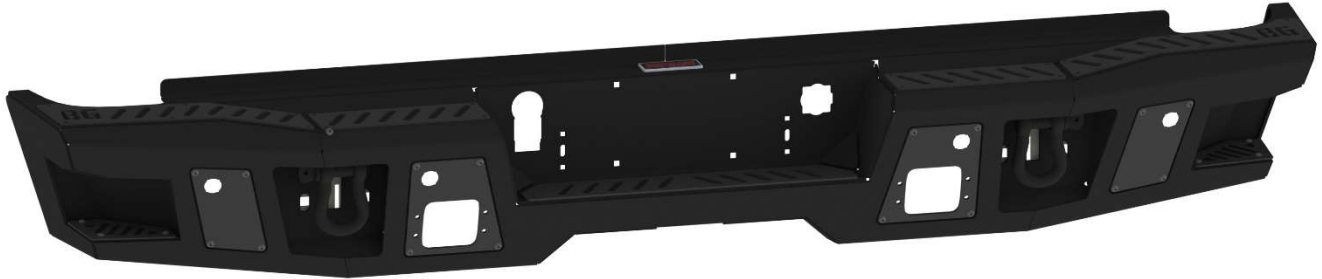


# Installation Instructions

## A2 Series – Rear Replacement 2015-2019 Chevy/GM 2500/3500 HD and 14-18 1500



Where **STRENGTH** Meets *Style!*™

### I. SAFETY

#### THE SAFETY OF YOU AND OTHERS IS VERY IMPORTANT TO US!

In order to minimize this risk and make an informed decision about safety, it is important that you carefully read and follow the installation instructions we have provided.

We urge you to use your own good judgment and allow plenty of time for install.

### II. HAZARD CHECKLIST

- Always wear personal protective equipment (PPE) such as: protective eye wear, gloves, close toed shoes, etc.
- We recommend that you use a certified mechanic or shop for professional installation.
- Always set emergency brakes on vehicle and use tire blocks to ensure vehicle stabilization.
- Use caution when lifting, we recommend the use of equipment to help lift bumpers into place.
- Use caution when using power tools such as air ratchet, etc.
- Take caution when installing wiring.
- Perform regular inspections of hardware, bolts, brackets, etc.
- Rigid light brackets are specifically designed to fit Rigid lights, we do not guarantee off brand fitment.
- Our winch mount is designed for Warn and Superwinch products. We do not guarantee off brand fitment.

### III. USE & RISK

Bodyguard Products LLC is not responsible for damage to our products, or other subsequent damage that might occur, as a result of misuse or improper installation. While we do manufacture products that appear stronger than factory parts, our products should not be viewed or relied upon as life-saving devices in the event of a collision or rollover. We make no claims relating to airbag compatibility, crashworthiness, or sturdiness. It is the customer's responsibility to check with the vehicle manufacturer or auto dealer regarding airbag compatibility and automobile manufacturer's warranty before installing our products.

### IV. PREPARATION

- Ensure personal safety by checking for hazards and identifying risks.
- Check for correct hardware.
- Check for tools needed.
- Use either foam or tape on fenders to prevent scratches to the truck when installing your bumper.
- Please allow approximately 2-3 hours for installation.

# Installation Instructions

## A2 Series – Rear Replacement

### 2015-2019 Chevy/GM 2500/3500 HD and 14-18 1500

**V. PARTS LIST**

DO NOT SUBSTITUTE OR USE ANY OTHER HARDWARE.

- Included with this product should be HARDWARE KITS:  
**A2-HK-GRH15, T1-HK-LPR**

<b>T1-HK-LPR</b>	<b>ALL REAR BUMPERS</b>	<b>Qty.</b>
	Plastic License Plate Nuts	4
	#14 x 5/8" Zinc License Plate Screw	4
	Plastic Wire Splices	4
	Tag Lights	2
	Tag Light Screws	4
	Plastic Clips For Tag Lights	4
<b>A2-HK-GRH15</b>	<b>A2 Rear Mount Kit 15+ Chevy HD and 14+ Chevy 1500</b>	<b>Qty.</b>
	1/2-13 x 1-1/2 Long, Grade 8 HB Zinc-Yellow	8
	1/2" x 1 1/2" Tear Drop Bolt	4
	1/2" Washer, Grade 8 Zinc-Yellow	20
	1/2"-13 Grade 8 Steel Serrated Flange Nut Zinc	12
	3/8"-16 x 1-1/2" Zinc Strap Bolts	2
	3/8" Yellow Zinc Grade 8 Flat Washer	2
	3/8-16 Grade 8 Steel Serrated Flange Nut Zinc	2
	1/4-20 x 5/8 Long, Stainless Steel SBHCS	42
	1/4-20 Hex Grade 5 Serrated Flange Nut, Stainless Steel	42

Rear of bed will need to be lifted in order to remove the factory bumper. Remove bolts to allow bed to be lifted.

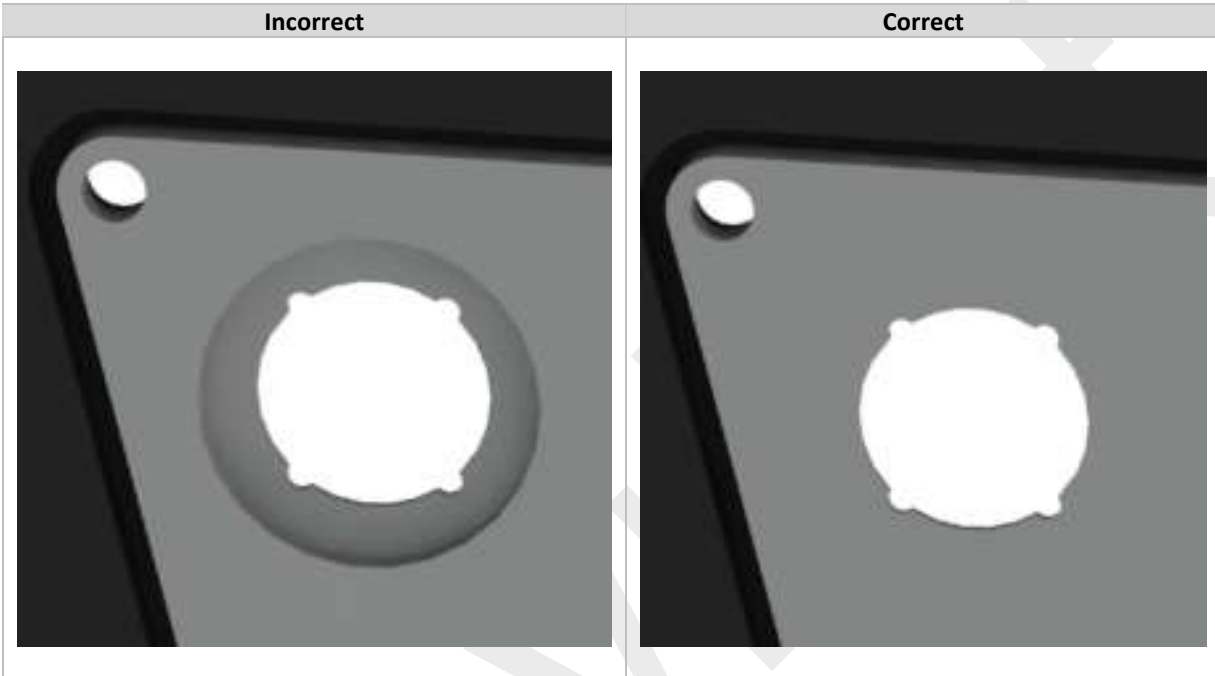
(6 Places)

# Installation Instructions

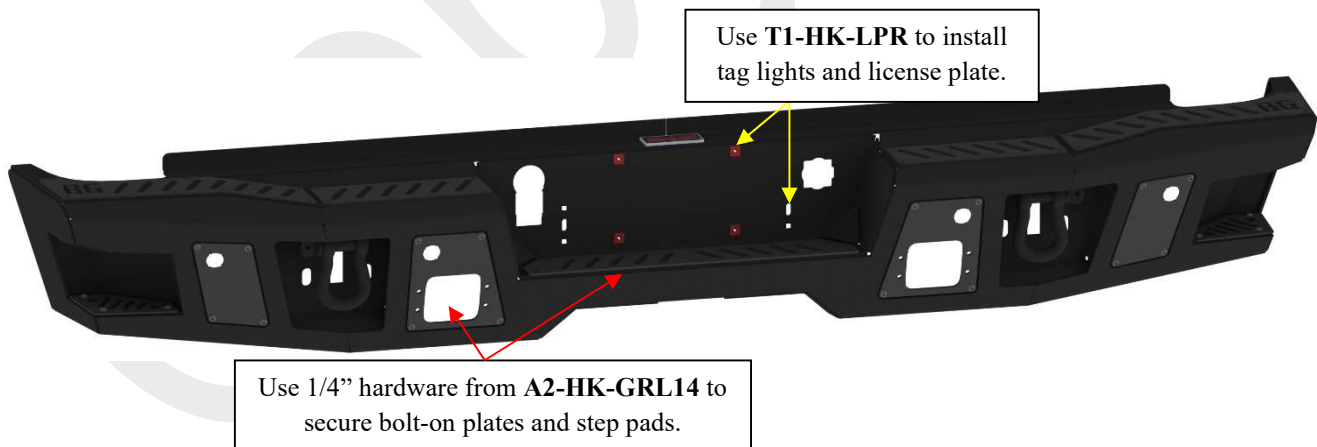
## A2 Series – Rear Replacement 2015-2019 Chevy/GM 2500/3500 HD and 14-18 1500

### VI. BOLT-ON PLATE INSTALLATION

Sensor plates need to be positioned so that the machined face is to the inside of the bumper like shown below. If installed incorrectly the backup sensors may not function correctly.



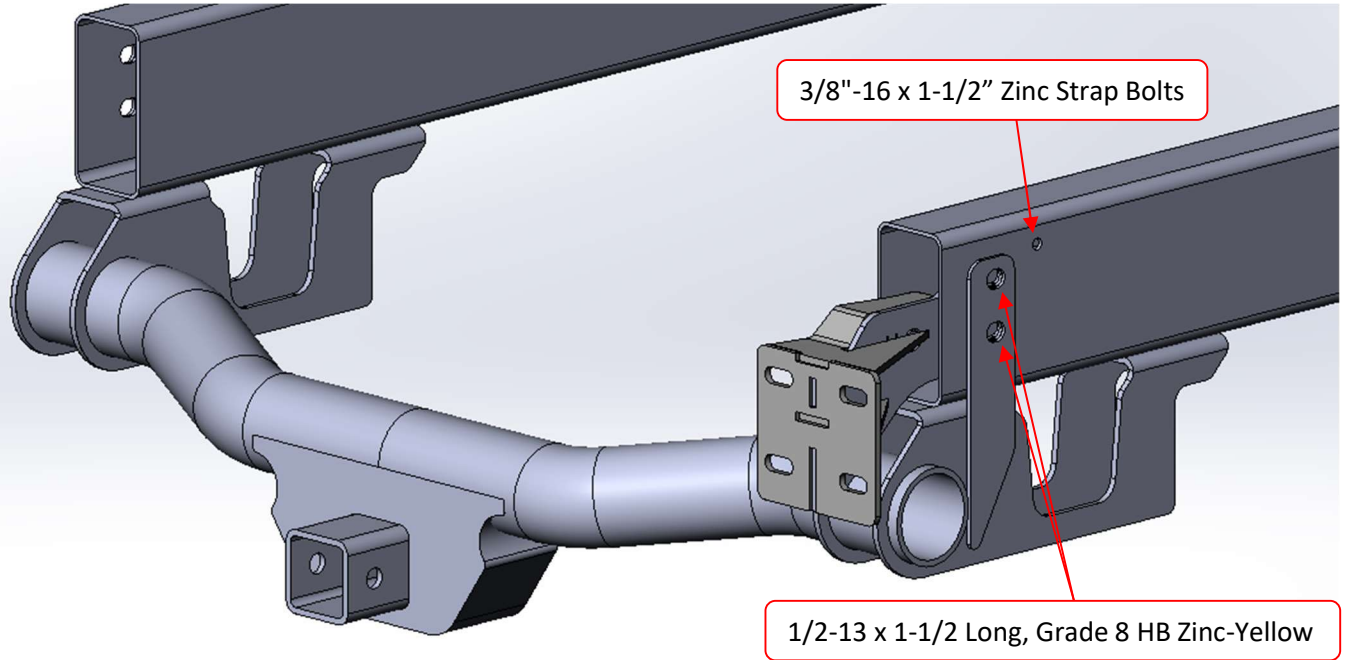
\*Sensor cutout will vary from image shown above



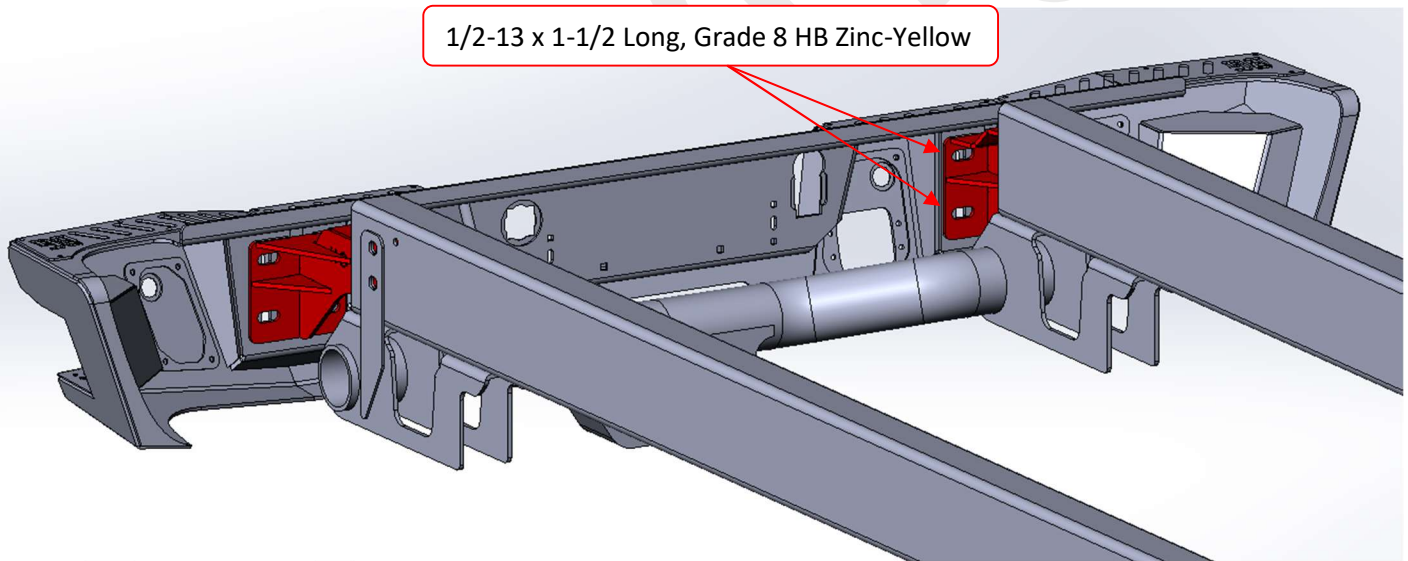
# Installation Instructions

## A2 Series – Rear Replacement 2015-2019 Chevy/GM 2500/3500 HD and 14-18 1500

### II. MOUNT INSTALLATION



### VIII. BUMPER INSTALLATION





# Installation Instructions

## A2 Series – Rear Replacement 2015-2019 Chevy/GM 2500/3500 HD and 14-18 1500

### IX. FINISHING UP

- Install shackles.
- Be sure to check for tailgate clearance BEFORE tightening all hardware.
- Confirm that all hardware is tightened and everything is secure.
- Secure wiring harnesses for lights and sensors.
- Test all lighting and wiring before using vehicle (fog lights, sensors, etc.).

### X. MAINTENANCE

- Frequently check that all hardware is tightened and that all wiring and connections are secure.

### FEEDBACK

We'd love to hear from you! Please send your pictures, testimonials, comments, or suggestions to us by email at [info@bodyguardbumpers.com](mailto:info@bodyguardbumpers.com). We frequently use customer pictures for brochures and marketing materials, and we always welcome customer feedback to ensure quality improvements within our company. Thanks for your purchase; we appreciate your business very much!

Where **STRENGTH** Meets *Style!*™