

# INSTALLATION INSTRUCTIONS

## XTS FRONT BUMPER BULL BAR

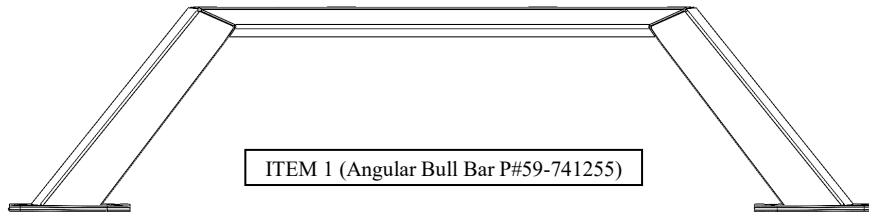
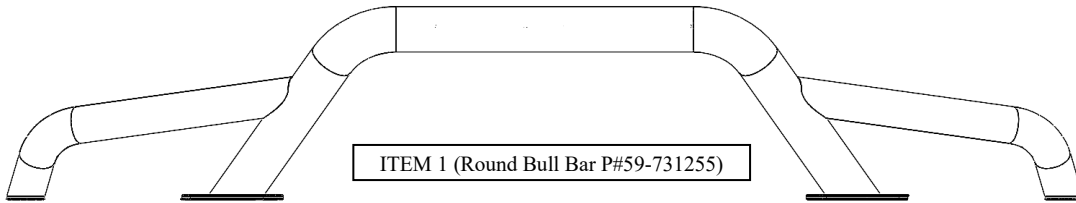


**APPLICATION:**  
Ford Bronco 2021-2022  
**PART NUMBER:**  
59-731255, 59-741255

### CONTENT

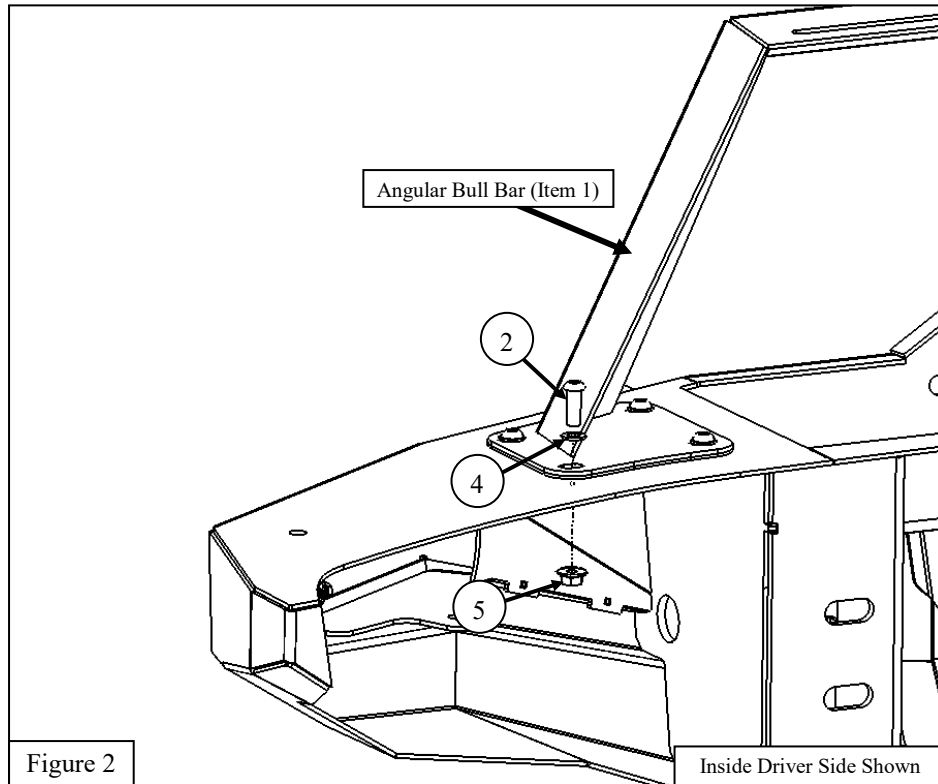
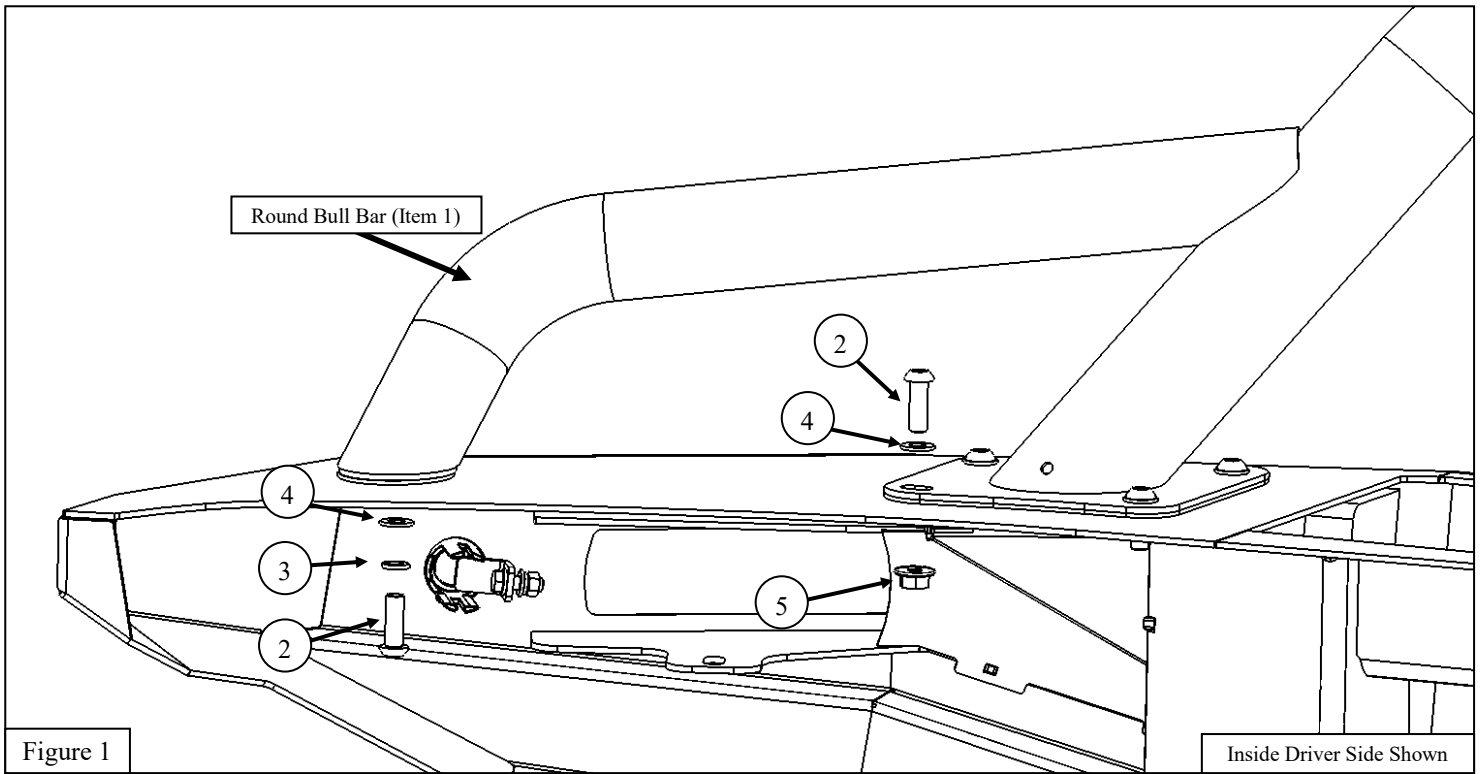
ITEM	QUANTITY	DESCRIPTION	TOOLS NEEDED
1	1	XTS BULL BAR (ROUND OR ANGULAR)	13MM SOCKET
2	10/8	M8 BUTTON HEAD BOLT (10 FOR ROUND BULL BAR, 8 FOR ANGULAR BULL BAR)	TORQUE WRENCH
3	2	M8 SPLIT LOCK WASHER (ROUND BULL BAR ONLY)	RATCHET
4	10/8	M8 FLAT WASHER (10 FOR ROUND BULL BAR, 8 FOR ANGULAR BULL BAR)	ALLEN WRENCH
5	8	M8 SERRATED FLANGE NUT	

**ANTI-SEIZE LUBRICANT MUST BE USED ON ALL STAINLESS STEEL FASTENERS TO PREVENT THREAD DAMAGE AND GALLING**



### PROCEDURE

- Remove contents from box, verify if all parts listed are present and free from damage.  
Carefully read and understand all instructions before attempting installation.  
**Failure to identify damage before installation could lead to a rejection of any claim.**
- FOR ROUND BULL BAR (P# 59-731255):** With the XTS Bumper either off of the vehicle or installed on the vehicle loosely mount the XTS Round Bull Bar (Item 1) using the supplied M8 hardware. See **Figure 1** for reference. Repeat for both the driver side and passenger side of the bull bar.
- FOR ANGULAR BULL BAR (P# 59-741255):** With the XTS Bumper either off of the vehicle or installed on the vehicle loosely mount the XTS Angular Bull Bar (Item 1) using the supplied M8 hardware. See **Figure 2** for reference. Repeat for both the driver side and passenger side of the bull bar.
- Align and adjust the XTS Bull Bar as necessary and torque all M8 hardware to 18 ft-lbs.



## INSTALLATION COMPLETE



### CARE INSTRUCTIONS

- REGULAR WAXING IS RECOMMENDED. DO NOT USE ANY TYPE OF POLISH OR WAX THAT MAY CONTAIN ABRASIVES.
- STAINLESS STEEL PRODUCTS CAN BE CLEANED WITH MILD SOAP AND WATER. STAINLESS STEEL POLISH SHOULD BE USED TO POLISH SMALL SCRATCHES.
- GLOSS BLACK FINISHES SHOULD BE CLEANED WITH MILD SOAP AND WATER.

**WESTIN** Westin Automotive Products, Inc.  
320 W. Covina Blvd  
San Dimas, Ca. 91773

Thank you for choosing Westin products  
for additional installation assistance please call  
Customer Service (800) 793-7846  
[www.westinautomotive.com](http://www.westinautomotive.com)



## WARNING



Failure to follow these instructions could lead to death, personal injury, and / or property damage.

Failure to follow these instructions could lead to death, personal injury, and / or property damage.

### FASTENERS:

All Westin supplied fasteners must be utilized and installed in accordance with the installation instructions and apply torque to the specifications as defined. **DOUBLE CHECK ALL FASTENERS BEFORE INITIAL USE, AND PERIODICALLY IN THE FUTURE TO ENSURE PROPER FUNCTION AND SAFETY.**

### DRILLING:

Most Westin products do not require drilling for installation. If drilling is defined as required, use caution when drilling a vehicle. **FAILURE TO REVIEW AN AREA TO BE DRILLED MAY RESULT IN PERSONAL INJURY AND/OR INJURY TO OTHERS AS WELL AS VEHICLE DAMAGE.**

### EYE PROTECTION:

**ALWAYS WEAR SAFETY GLASSES OR GOGGLES DURING THE INSTALLATION PROCESS TO AVOID PERSONAL INJURY.**

### MAXIMUM TOWING/CARRYING CAPACITY: (if applicable)

The Westin Receiver Hitches will have a visible tow rating label affixed directly on the product. User should never exceed the vehicle manufacturers maximum tow and weight rating regardless of the capacity of the hitch. **FAILURE TO FOLLOW THESE GUIDELINES WILL VOID THE WESTIN WARRANTY AND MAY RESULT IN PERSONAL INJURY AND/OR INJURY TO OTHERS AS WELL AS VEHICLE DAMAGE.**

### FOR CALIFORNIA RESIDENTS ONLY-PROP 65 WARNING:

Some products may contain chemicals such as DEHP, which can cause cancer, birth defects or other reproductive harm. For more info go to [www.p65warnings.ca.gov](http://www.p65warnings.ca.gov)



Westin Automotive Products, Inc.  
320 W. Covina Blvd  
San Dimas, Ca. 91773