

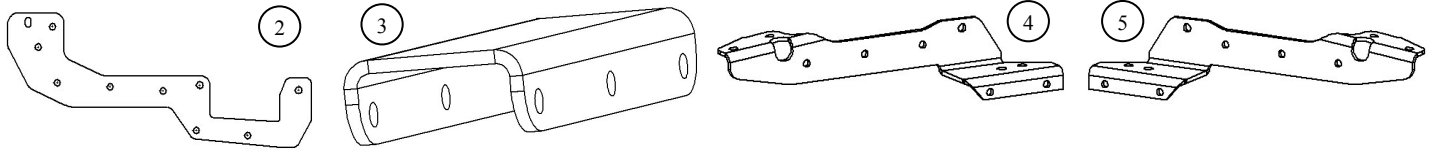


SIGNATURE OF QUALITY

AUTOMOTIVE PRODUCTS, INC.

INSTRUCTIONS—INSTRUCCIONES—CONSIGNES

APPLICATION: 2011-14 CHEVY/GMC SILVERADO/SIERRA 2500/3500
MAX WINCH TRAY & MAX WINCH TRAY MOUNTED SPORTSMAN & HDX GRILLE GUARD
APP. PART #'S 46-23615, 40-93615/45-93610, 40-93665/45-93660, 57-93610/57-93615



ITEM	QUANTITY	DESCRIPTION	TOOLS NEEDED
1	1	WINCH TRAY	RATCHET
2	2	FRAME MOUNTING BRACKETS	RATCHET EXT.
3	2	MIDDLE MOUNTING BRACKETS	TORQUE WRENCH
4,5	2	INNER MOUNTING BRACKETS (4) DRIVERS SIDE, (5) PASSENGER SIDE	SCREWDRIVER
6	24	M10 HEX HEAD BOLTS	ALLEN WRENCH
7	48	M10 FLAT WASHERS	PLIERS
8	24	M10 LOCK WASHERS	15mm WRENCH
9	24	M10 HEX NUTS	16mm WRENCH
10	12	M12 HEX HEAD BOLTS	18mm WRENCH
11	24	M12 FLAT WASHERS	10mm SOCKET
12	14	M12 LOCK WASHERS	15mm SOCKET
13	14	M12 HEX NUTS	16mm SOCKET
14	2	M12 LARGE FLAT WASHER	18mm SOCKET
15	2	M12 FLANGE HEX HEAD BOLT	
16	2	M12 SQUARE PLASTIC BOLT RETAINER	
17	1	SPORTSMAN GRILLE GUARD (INCL. WITH 40-93615/45-93610 & 40-93665/45-93660)	
18	8	M10 BUTTON HEAD BOLTS (INCL. SPORTSMAN WITH GRILLE GUARD)	
21	8	M10 FLAT WASHERS (INCL. SPORTSMAN WITH GRILLE GUARD)	
22	8	SPACERS (INCL. IN KITS 40-93665 & 45-93660)	
23	1	HDX GRILLE GUARD (57-93610 & 57-93615)	
24	2	SPACER BLOCKS (INCL. WITH HDX GRILLE GUARD)	
25, 26	2	SUPPORT STRAP FOR HDX (25) DRIVER & (26) PASSENGER	
27	6	M10 LONG BUTTON HEAD BOLTS (INCL. WITH HDX GRILLE GUARD)	
28	8	M10 CUPPED WASHERS (INCL. WITH HDX GRILLE GUARD)	
29	2	M10 SHORT BUTTON HEAD BOLTS (INCL. WITH HDX GRILLE GUARD)	
30	2	M10 SERRATED FLANGE NUT (INCL. WITH HDX GRILLE GUARD)	

ANTI-SEIZE LUBRICANT MUST BE USED ON ALL STAINLESS STEEL FASTENERS TO PREVENT THREAD DAMAGE AND GALLING

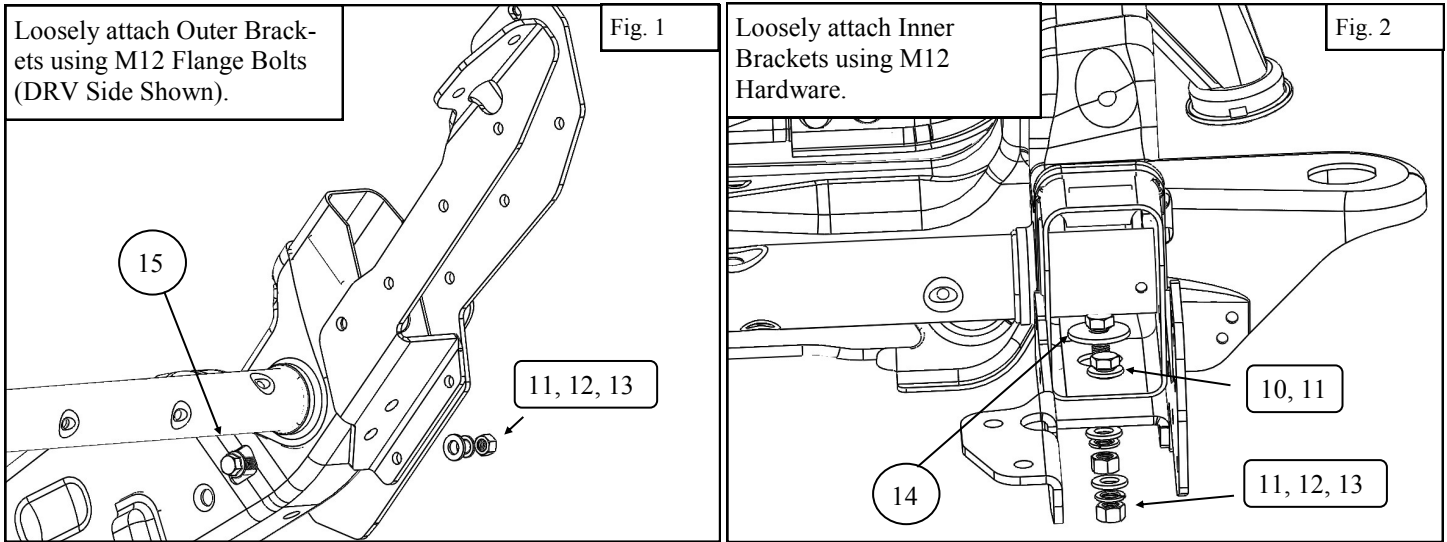
1. Remove contents from box, verify if all parts listed are present and free from damage. Carefully read and understand all instructions before attempting installation.
2. Remove the factory tow hooks (if equipped). They cannot be re-used.



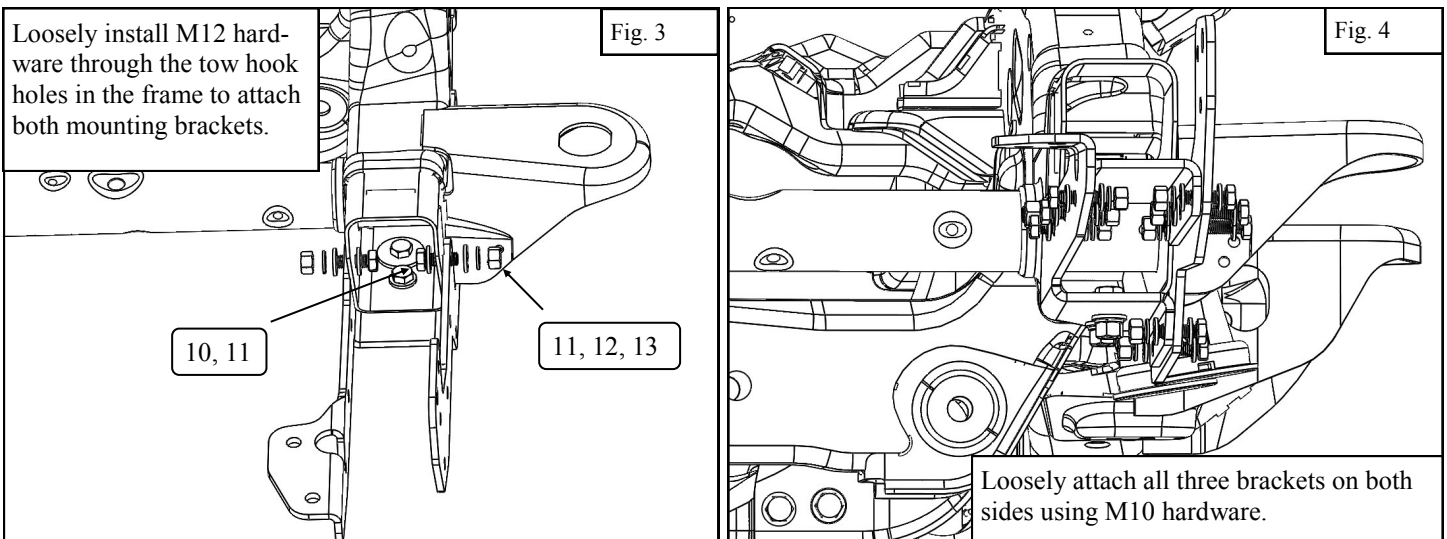
Westin Automotive Products, Inc.
320 Covina Blvd
San Dimas, Ca. 91773

Thank You for choosing Westin products
For Additional installation assistance please call
Customer service (800) 793-7846

3. One side at a time, slip the Winch Tray Inner Mounting Brackets (items 2,3) and the Winch Tray Outer Mounting Brackets (Item 4) through the tow hook pockets. Note: Do not fasten either bracket until both have been properly positioned.
4. Loosely attach the Winch Tray Outer Mounting Brackets to the vehicle's frame using the supplied M12 Flange Bolts (item 15) as shown in Figure 1. Note: The flange bolts may be held in place using the M12 Poly Retainers while positioning the bracket.
5. Loosely attach the Winch Tray Inner Mounting Brackets to the vehicle's frame using M12 Hardware as shown in Figure 2. Note: The Large M12 Washer covers the large hole in the frame.



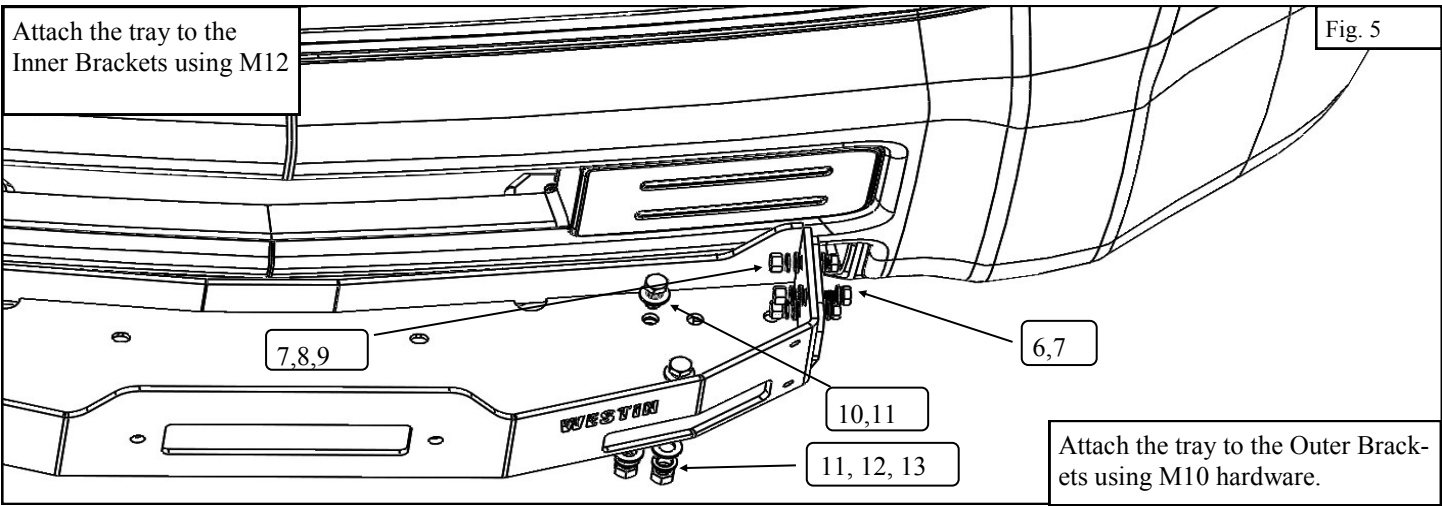
6. Using the supplied M12 Hardware loosely attach both mounting brackets to the frame holes that were used for the tow hooks as shown in Figure 3.
7. Position the Middle Winch Tray Mounting Brackets (item 3) as shown in Figure 4 then loosely attach them using the supplied M10 hardware.
8. Loosely attach the Inner and Outer Mounting brackets together using M10 hardware as shown in Figure 4.



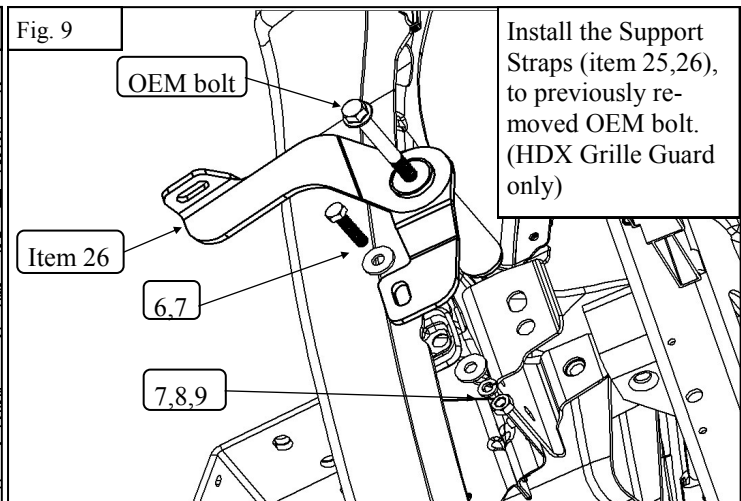
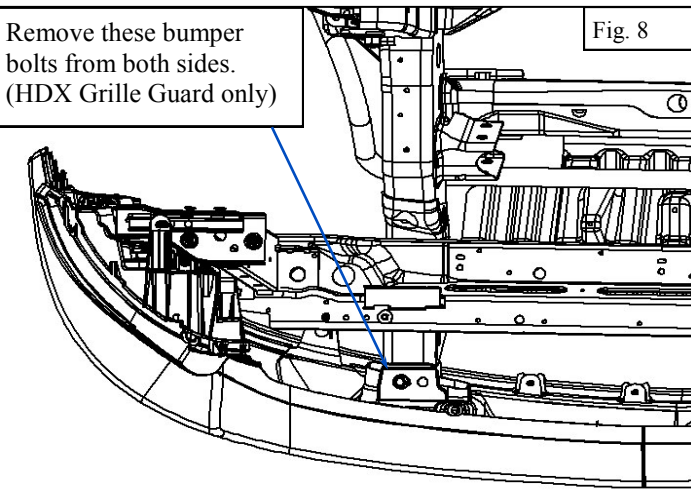
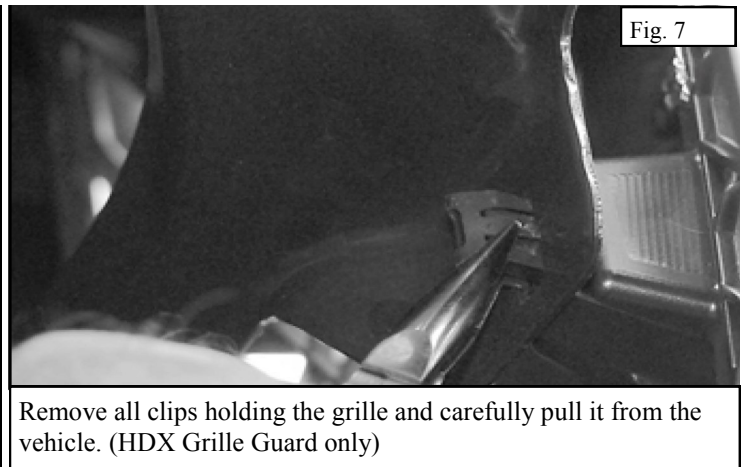
9. Loosely attach the Winch Tray to the brackets using M10 hardware on the sides and M12 hardware on the bottom of the tray as shown in Figure 5.
10. Install the winch per the winch manufacturer's instructions.
11. If installing a Winch Mount Grille Guard continue to step 12. Otherwise align and adjust the tray and brackets as necessary then tighten and torque all fasteners: M10 to 30-35 ft-lbs.; M12 to 50-55 ft-lbs.



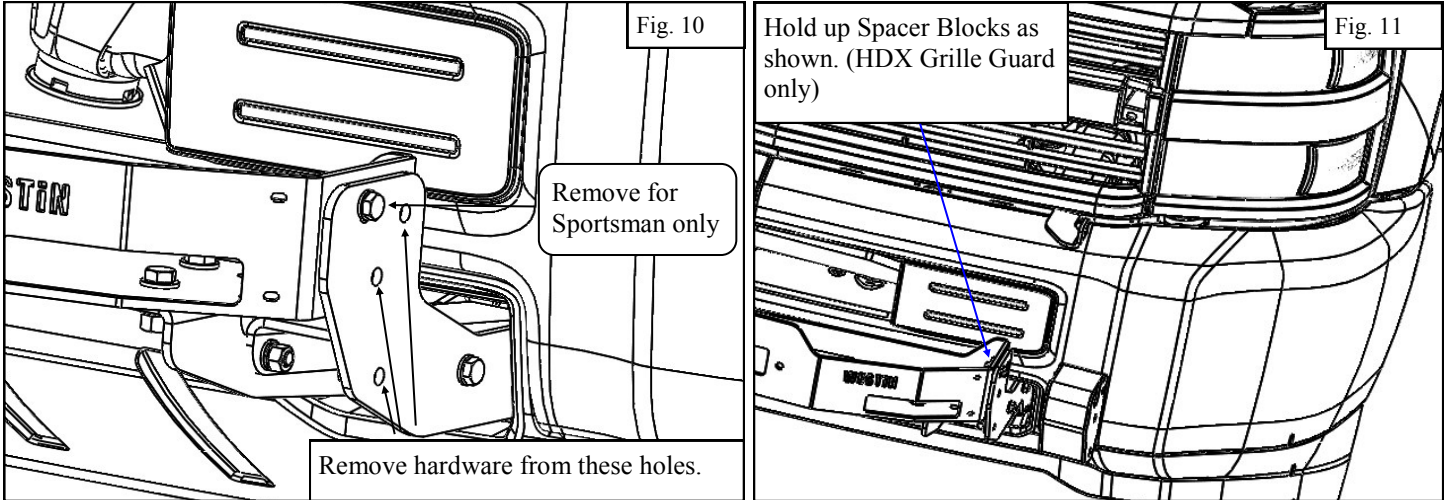
Westin Automotive Products, Inc.
320 Covina Blvd
San Dimas, Ca. 91773



12. For Sportsman Grille Guard proceed to step 20. If installing the HDX Winch Tray Mount Grille Guard remove the vehicle's radiator cover as shown in Figure 6.
13. Using a pair of needle nose pliers, squeeze the six grille mounting clips. Begin from one end of the grille and insert a small screwdriver into the clips to prevent them from popping back into place. Remove the grille by pulling on it gently and evenly forward. Refer to Figure 7.
14. If installing the HDX Grille Guard remove the factory M12 bumper bolts from each side as shown in Figure 8.
15. Install the Support Straps (item 25,26) by re-using the factory bumper bolts as well as the extra M10 Hardware supplied in the Winch Tray bolt pack. Center the Support Straps and space them 41-1/8" apart (outside edge to outside edge). Tighten and torque these fasteners to 50-55 ft-lbs. Refer to Figure 9.



16. Re-install the vehicle's grille and plastic radiator cover in the reverse order that they were removed.
17. For the HDX Grille Guard, remove the bolts from the Winch Tray shown in Figure 10.
18. For the HDX Grille Guard use an assistant to line up the Spacer Blocks with the Winch Tray as shown in Figure 11.



19. While the assistant holds the Spacer Blocks in place, position the Grille Guard over the Spacer Blocks and loosely attach Grille Guard to the Support Straps and proceed to step 22.
20. If installing the Sportsman winch mounted grille guard, remove the fasteners attaching the frame mounting bracket to the winch tray, then remove the first outer fastener attaching the frame mounting bracket to the center mounting bracket. Refer to Figure 10.
21. Take the grille guard and align it to the outside of the frame mounting brackets, attach the grille guard using (8) M10 button head bolts, and (8) M10 flat washers, re use the (8) M10 flat washers, (8) M10 lock washers, and (8) M10 hex nuts previously removed. Do not fully tighten at this time Figure 12. For GMC applications (4) spacers must be used on each side of the grille guard between the winch tray and grille guard before attaching. Refer to Figure 13. Note: Nuts and washers from the Winch Tray bolt kit need to be used to accomplish this. Refer to Figure 14.
22. Align and adjust the Grille Guard as necessary. Tighten and torque all hardware as follows: M10 to 30-35 ft-lbs.; M12 50-55 ft-lbs.

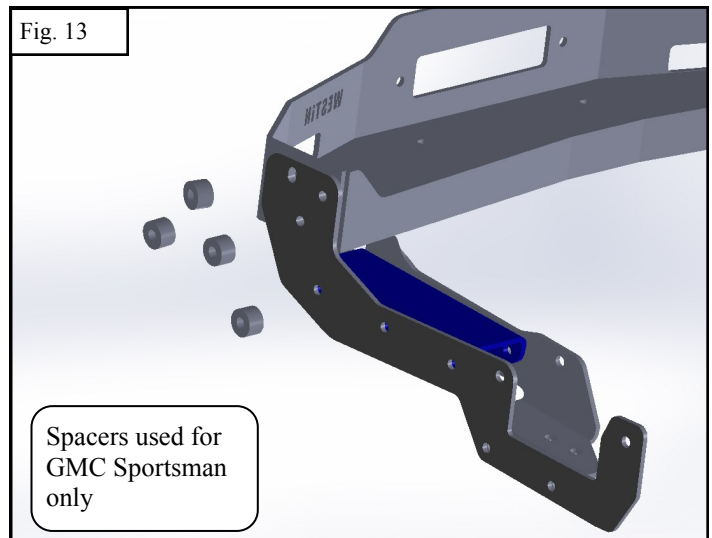
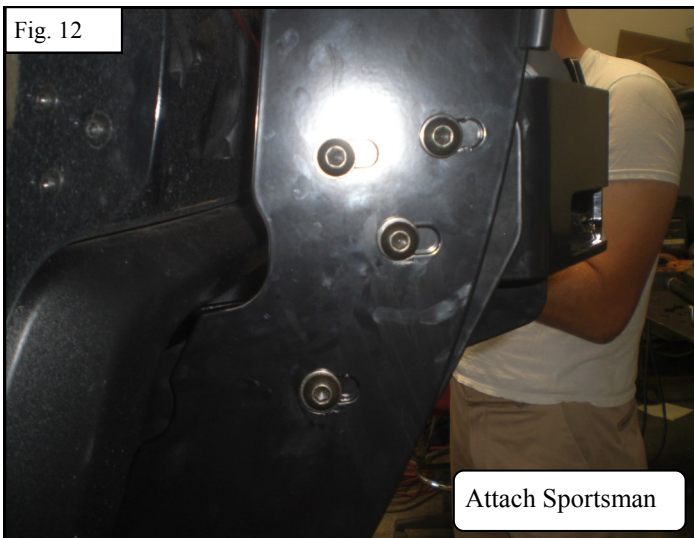
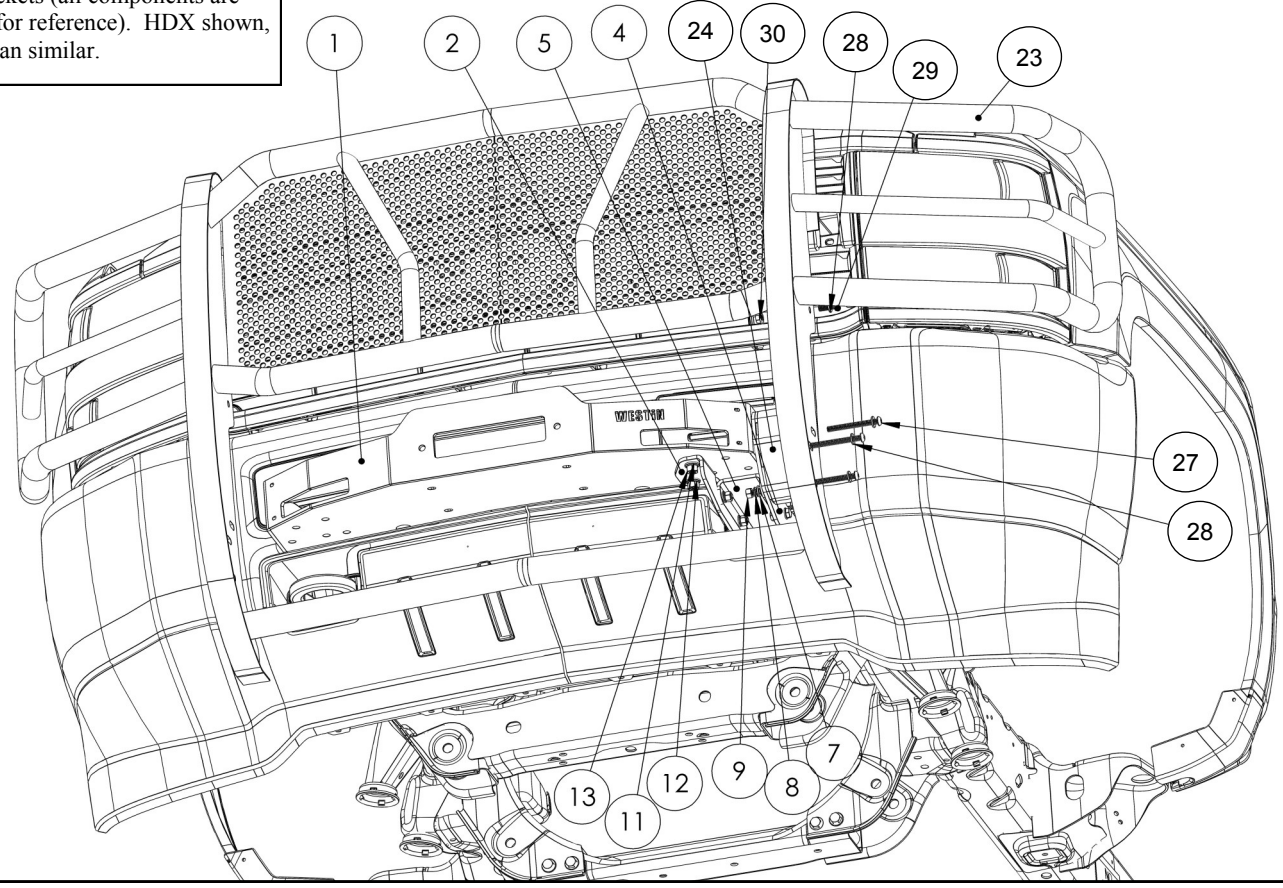


Fig. 14

Attach Grille Guard to Winch Tray and Brackets (all components are labeled for reference). HDX shown, Sportsman similar.



CARE INSTRUCTIONS

- REGULAR WAXING IS RECOMMENDED. DO NOT USE ANY TYPE OF POLISH OR WAX THAT MAY CONTAIN ABRASIVES.
- STAINLESS STEEL PRODUCTS CAN BE CLEANED WITH MILD SOAP AND WATER. STAINLESS STEEL POLISH SHOULD BE USED TO POLISH SMALL SCRATCHES.
- GLOSS BLACK FINISHES SHOULD BE CLEANED WITH MILD SOAP AND WATER.

Westin
 SIGNATURE OF QUALITY
 Westin Automotive Products, Inc.
 320 Covina Blvd
 San Dimas, Ca. 91773

Thank You for choosing Westin products
 For Additional installation assistance please call
 Customer service (800) 793-7846
 www.westinautomotive.com
 DATE: 3/26/14