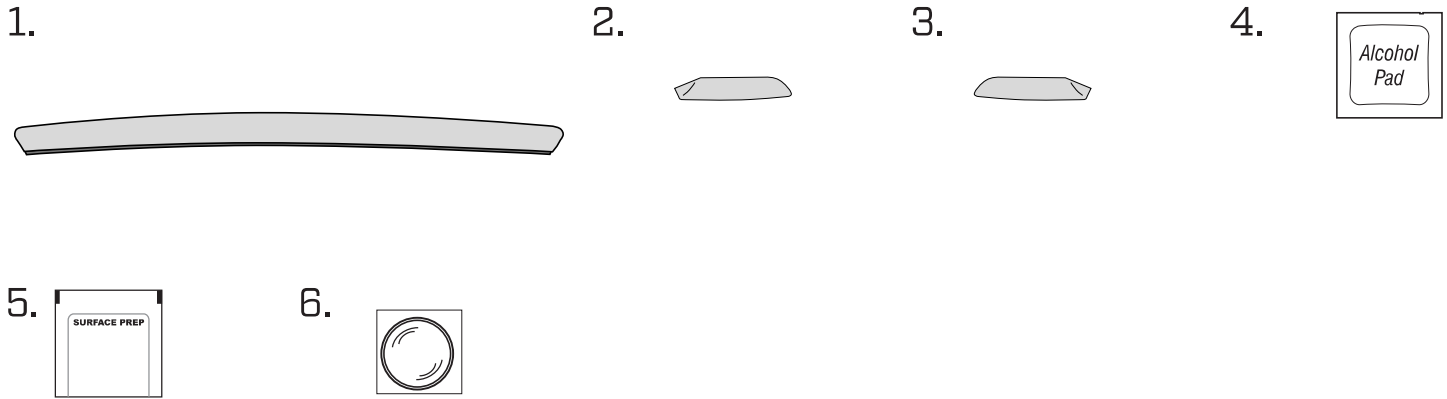


Components and Hardware



Components and Hardware:

1. Hood Shield.....	(1)
2. Fender Protector LH.....	(1)
3. Fender Protector RH.....	(1)
4. Alcohol Pad.....	(2)
5. Surface Prep.....	(1)
6. Bump On.....	(4)

Tools for Installation:

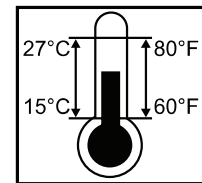
- Car Wash Supplies
- Clean Towel
- Gloves

Hood Shield

Preparation Before Installation:

- A trial fit is recommended to ensure proper positioning and fit.
- Check fit of parts before painting as we will not accept the return of modified or painted parts.
- Wash and dry your vehicle to remove any debris and/or dirt from the installation area
- When using Surface Prep, avoid contact with skin. Use in well ventilated area. If contact is made with material, flush area with large amounts of water. If irritation persists, get immediate medical attention.

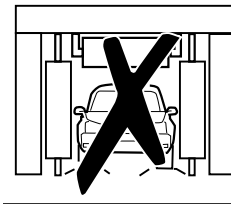
NOTE: Ensure vehicle surface and part are between 60°F and 80°F (15°C and 27°C) prior to installation.



Do not drive vehicle for 24 hours after installation.



Do not wash vehicle for 72 hours after installation.

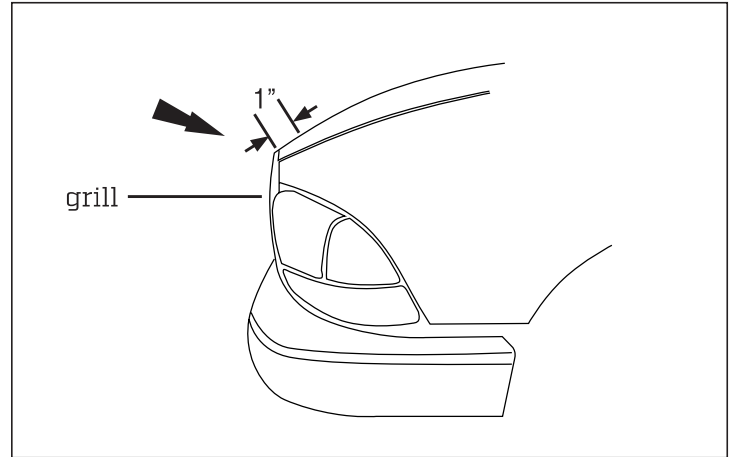


Hood Shield

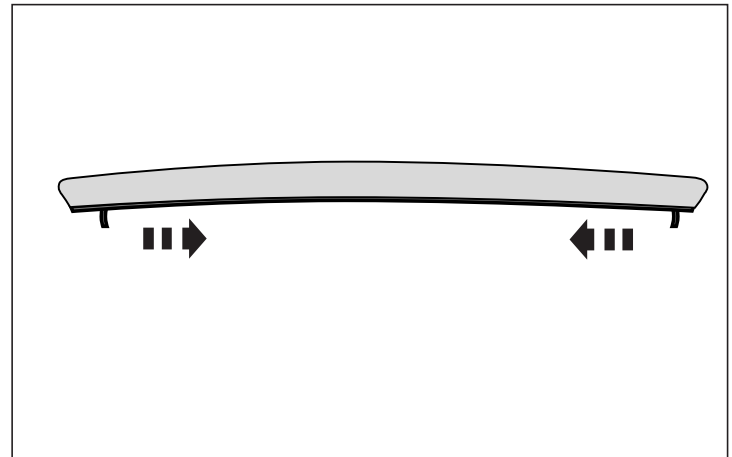
Installation Procedure:

- 1 Clean painted surface of hood with alcohol pad.

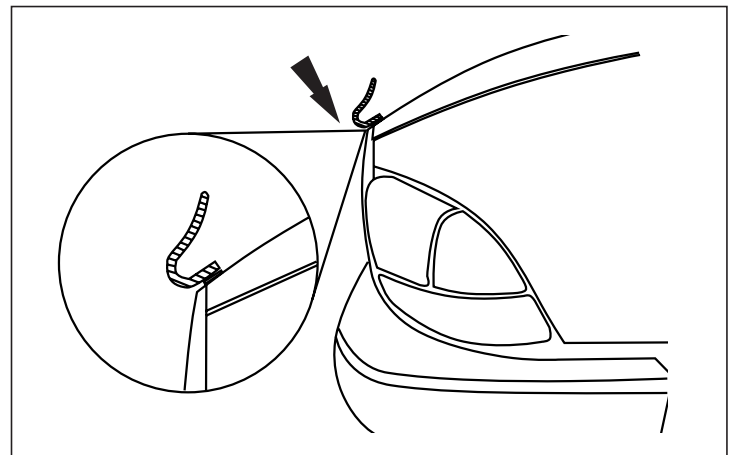
Apply (1) coat of surface prep to front 1" of hood. Allow surface prep to dry.



- 2 Peel back 2" of tape liner from each end of bottom flange.



- 3 Align hood deflector with center of hood. Press firmly to adhere exposed tape.



Ventvisor Deflector

Care and Cleaning

- Wash only with mild soap & dry with a clean cloth.



The material that your product is made from can be recycled. Please also consider recycling the packaging that your product came in.

Congratulations!

We take the utmost pride in our products and want you to enjoy years of satisfaction from your investment. We have made every effort to ensure that your product is top quality in terms of fit, durability, finish and ease of installation.

www.huskyliners.com

Phone: 800-344-8759

Email: customerservice@huskyliners.com

