



## FORD SUPERDUTY F250/F350 WITHOUT FENDER FLARES

PART NO. **5664**

*Please read instructions thoroughly before installation.*

### Tools Required

- 1/8" drill bit / Drill
- Center punch / Hammer
- Short Phillips screwdriver or drill attachment

### Package Contents

- Driver & passenger side front mud guard
- #10 SEM Screw (6)
- Small U-clip (2)
- Medium U-clip (2)
- Paint Protection Film (1 set)
- Instruction sheet

## **PAINTING INSTRUCTIONS**

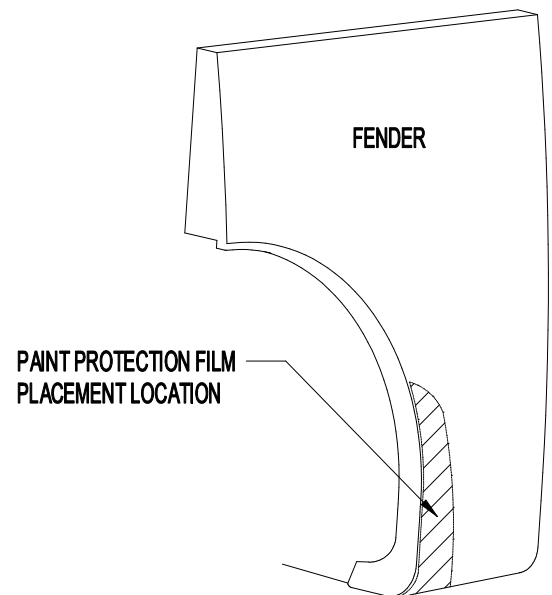
**NOTE:** *If painting mud guards, perform a mud guard test fit to ensure correct fit and application prior to painting.*

1. Clean mud guard with a soap and water solution to remove dirt and other contaminants.
2. Sand painting surface with 320 grit sand paper.
3. Apply a coating of flexible primer-adhesion promoter.
4. Apply a flexible paint as directed by the paint manufacturer.

## **PAINT PROTECTION FILM INSTALLATION INSTRUCTIONS**

**NOTE:** *The Paint Protection Film is a precut template of film used to protect the mud guard mounting surfaces of your fenders against wear. The templates (left and right side) can be removed from the backing liner by folding the liner at the center cut of the template, separating the film sides and peeling the film templates from the backing liner.*

1. Position mud guard on fender to indicate placement location of paint protection film.
2. Clean the placement area of fender with a clean cotton cloth and a petroleum distillate based cleaner such as DuPonts Prep-Sol Brand Solvent Cleaner or 3M Brand Adhesive Cleaner and dry.
3. Mix a wetting solution of 1 pint of water with 4 drops of liquid dishwashing detergent.
4. Mark correct position of film by placing mud guard against fender. **Make sure film extends beyond edge of mud guard contour a minimum of an 1/8".**
5. Remove protection film from liner and flood adhesive side of film with wetting solution (use a spray bottle or sponge).
6. Thoroughly wet film placement location of fender with wetting solution.
7. Position the adhesive side of film on fender and flood with wetting solution.
8. Check location of film with mud guard and reposition as necessary.
9. Using a sponge, squeegee any air bubbles and wrinkles from film.
10. Allow film to dry before installing mud guard.



### MUD GUARD INSTALLATION INSTRUCTIONS

**NOTE:** Turn the front wheels all the way to the left or right for mud guard installation. However, it may be necessary to remove the wheels depending on the tools being used for installation.

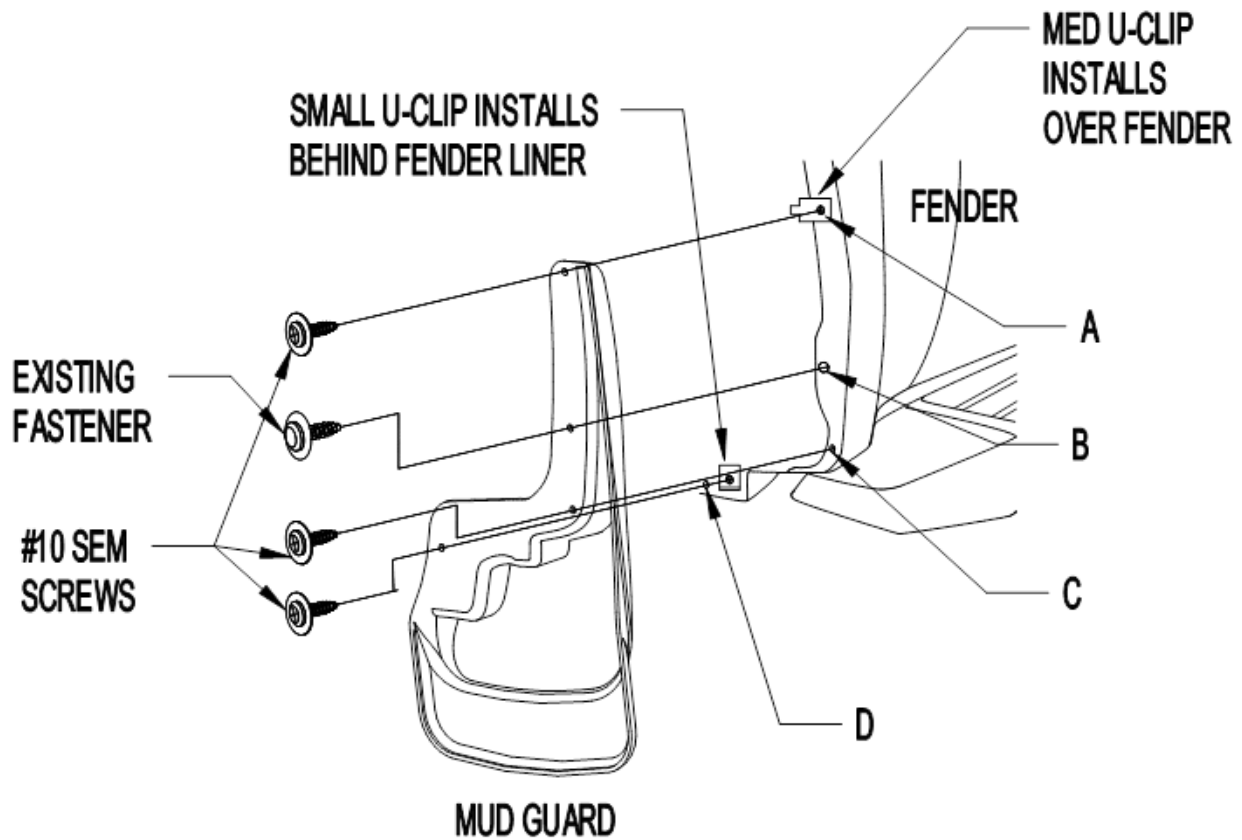


Figure 1

1. Remove existing fasteners from location B (Figure 1).
2. Install **med u-clip** at location A, over fender sheet metal.
3. Install mud guard with existing fastener at location B. Check fit and make sure mud guard is parallel to ground before tightening (see Figure 1).
4. Install a #10 SEM screw at location A.
5. Mark and drill 1/8" holes at locations C and D.
6. Install #10 SEM screw at location C.



**FORD SUPERDUTY F250/F350 WITHOUT FENDER FLARES**

**PART NO. 5664**

7. Install #10 SEM screw at location D, thru mud guard, fender liner and into a **small u-clip** behind liner. NOTE: The u-clip is used like a nut and DOES NOT clip over fender liner (Figure 1).