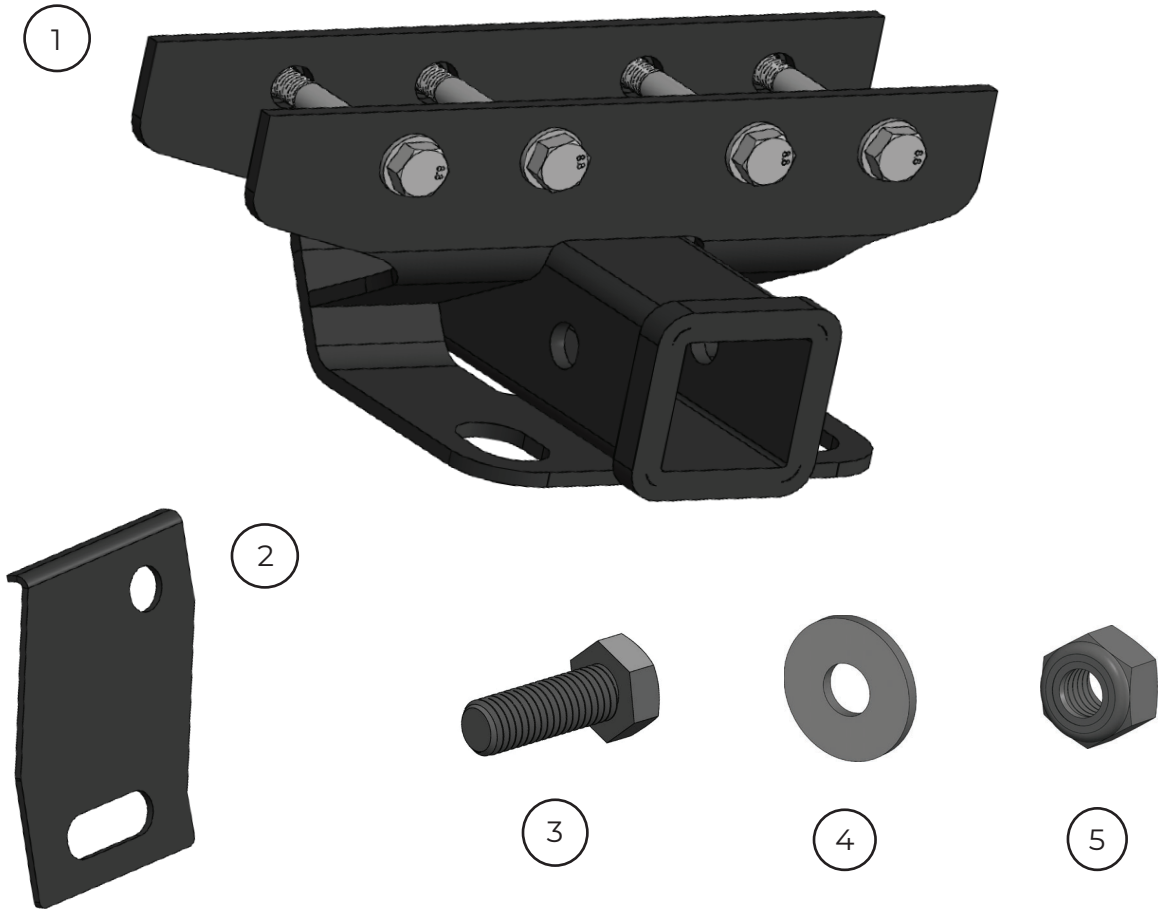


RECEIVER HITCH, BRONCO



Components

- 1. Receiver Hitch.....(1)
- 2. Trailer Connection Tab.....(1)
- 3. M12 Hex Head Bolt.....(4)
- 4. M12 Flat Washer.....(8)
- 5. M12 Nylock Nut.....(4)

RECEIVER HITCH, BRONCO

Pg. 2/3

1. Remove your rear bumper by first unplugging the wiring harness from the bumper. Then, starting on either side, remove the two bolts on the bottom of the bumper (Figure A) using a 18mm socket. Repeat on the opposite side. Now, starting on either side, remove the bolt on the backside of the bumper (Figure B). Repeat on the opposite side.

NOTE: You will need a second person to hold the bumper when removing.

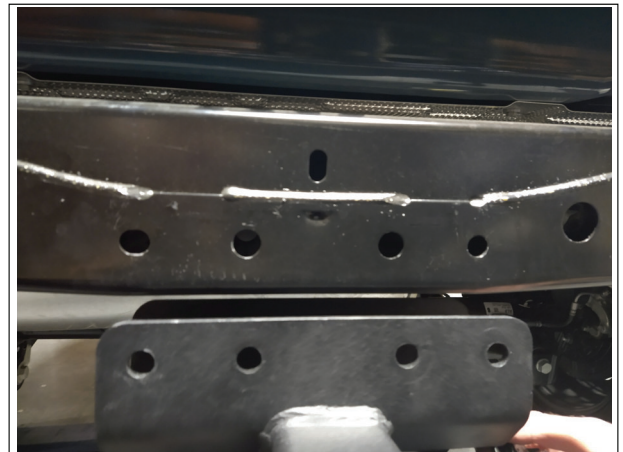
Figure A



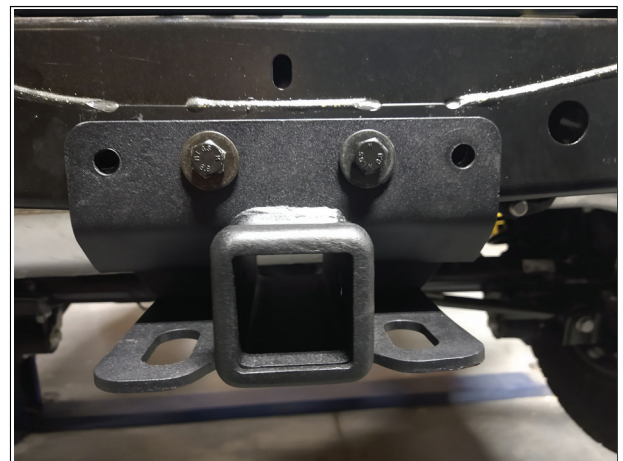
Figure B



2. Hold the Receiver Hitch up to the bumper frame and align the holes on the Hitch to the frame.



3. Insert (1) M12 Hex Bolt with (1) M12 Flat Washer in each inner hole on the Hitch from the outside in. Place (1) M12 Flat Washer and thread (1) M12 Nylock Nut to the other end of both bolts. Loosely tighten but **DO NOT fully tighten at this time.**





RECEIVER HITCH, BRONCO

Pg. 3/3

4. Repeat the previous step for the outer holes. If installing the Trailer Connection Tab, hang and align the Tab over the driver side outer hole on the Hitch before inserting hardware.

Fully tighten all hardware and reinstall the bumper.

NOTE: You will need a second person to reinstall the bumper.

