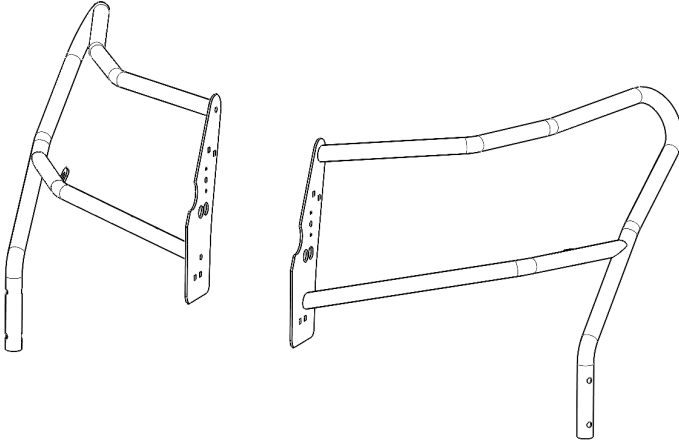


GO RHINO®

INSTALLATION INSTRUCTIONS



PART NO.

- 5346UWHD

PRODUCT DESCRIPTION:

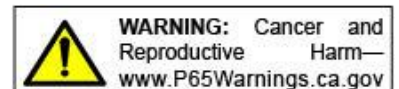
- 5000 SERIES ROAD DEFENDER HEAVY DUTY WRAPAROUND BRUSH GUARDS

APPLICATION:

- FORD INTERCEPTOR UTILITY

PRODUCT SAFETY & LEGAL DISCLAIMER

- **IMPORTANT READ ALL INSTRUCTIONS CAREFULLY BEFORE INSTALLING, FAILURE TO DO SO MAY CAUSE PERSONAL INJURY OR DAMAGE TO PRODUCT AND/OR PROPERTY.**
- **Review the product package and contents prior to beginning the installation.** Take care when opening the packaging and removing items. If a return is needed you will want to return the product in its original packaging if possible.
- This instruction guide is provided as a GENERAL installation guide, some vehicles vary dimensionally and may require additional steps.
- Test fit the product on the vehicle prior to any third party modifications and or finishing. The manufacturer and/or distributors do not accept responsibility for third party charges, labor and or third part replacement modifications. Some modifications may void the factory warranty.
- Exercise due-diligence when installing this product. The manufacturer and distributors of this product do not accept any responsibility for vehicle damage or personal injury resulting from the installation of this product. Careless installation and operation can result in serious injury or equipment damage.
- This product is for general off-road use. All liability for installation and use rests with the owner/operator.
- **INSTALLER:** Once installation is complete, please return this guide along with other documentation included in this product back to the consumer for future reference. The manufacturer/distributors of this product do not guarantee this particular version will be available at a later date.



© 2016 Go Rhino Products. All rights reserved

www.gorhino.com

589 W. Apollo St., Brea, CA 92821

P: 888 427 4466



INSTALLATION INSTRUCTIONS

INJURY HAZARD

Please complete a shop and tool inspection prior to beginning the installation.

- Always make sure you have a clean, dry and well lit work area.
- Always remove jewelry, loose fitting clothing and wear protective gloves and eye protection.
- Always use extreme caution when jacking or raising a vehicle for work. Set the emergency brake and use tire/wheel blocks and jack stands. Refer to the vehicle manufacturer hand book. Utilize the vehicle manufacturers designated lifting points.
- Always use appropriate and adequate care in lifting parts during disassembly and installation. Seek help in lifting heavy or large items into place. Utilize jacks and or lifting devices when available.
- Always insure products are secure during disassembly and installation.
- Always wear eye protection and take steps to protect any exposed skin during the installations. Drilling, cutting and grinding plastic and metal may create flying particles that can cause injury.
- Always use extreme caution when drilling, cutting and or grinding on a vehicle. Thoroughly inspect the area to be drilled, on both sides of material, prior to modification and relocate any objects that may become damaged.
- Always assemble and tighten all fasteners per the installation instructions.
- Always route electrical cables carefully. Avoid moving parts, parts that may become hot and rough or sharp edges.
- Always insulate and protect all exposed wiring and electrical connections.

MAINTENANCE AND CARE

- Always perform regular inspections and maintenance on mounts and related fasteners.
- Periodically check and tighten all fasteners.
- Stripped, fractured, or bent fasteners must be replaced.
- After washing the vehicle make sure to fully dry all surfaces.
- In areas with cold temperatures make sure to wash the product often to remove harmful materials used on road ways.
- Never use abrasive cleaners or polish compounds. Clean with a gentle soap and water. If you use wax use a non-abrasive automotive wax such as pure carnauba wax.

WARNING

Some products have been designed to work together with factory rear sensor systems, factory forward facing sensor systems and factory air bags.

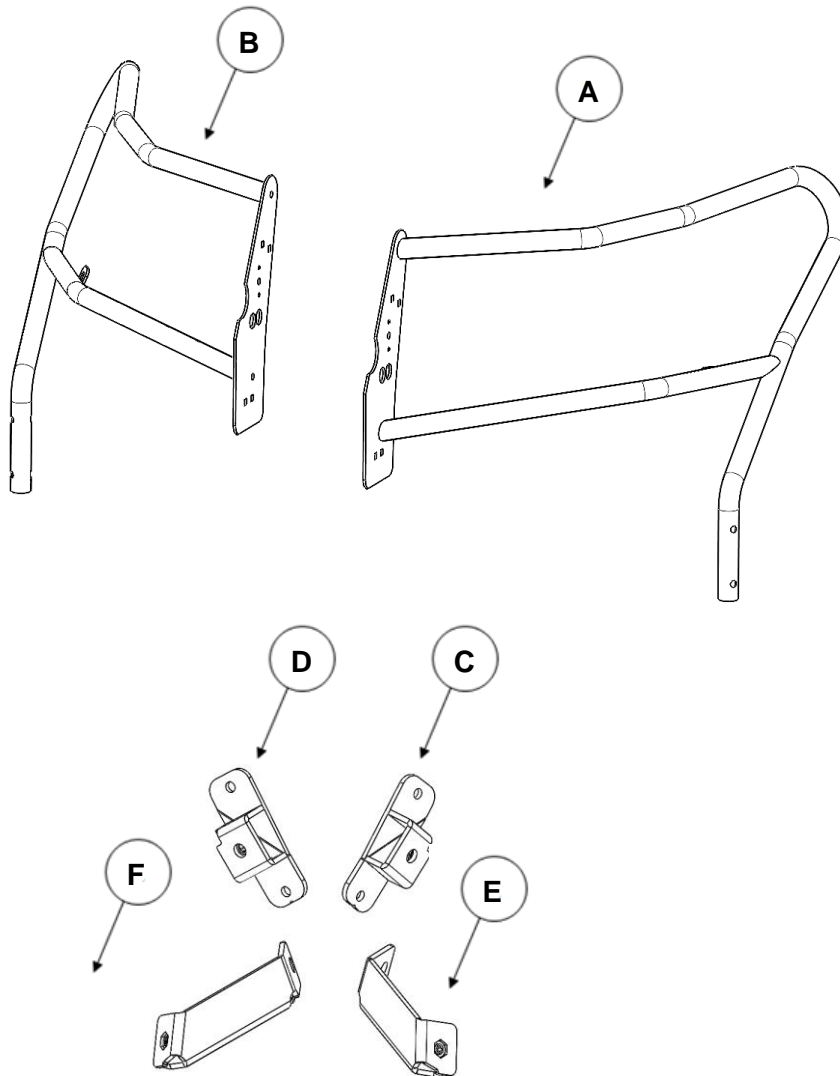
- Installation of some of these products may alter the factory sensor system performance.
- Factory sensors may read shackles or hooks protruding from the fairlead and or tow hooks.
- All sensor testing is completed by Go Rhino Products and or third party testing labs on modified vehicles.
- Sensor sensitivity, factory sensor housing, orientation, and operating conditions are all variables that will influence functionality of the sensors.
- Installation of some product may effect the factory air bag systems.
- Some products allow the use of third party products such as winches, shackles, hooks, etc. Follow the respective manufacturers operating instructions for use with our products.
- Make sure to fully understand the product, it's intended use and operation prior to use.
- Above all... be safe!

GORRHINO®

INSTALLATION INSTRUCTIONS

PARTS INCLUDED IN THIS LIST:

ITEM	QTY.	PART NUMBER	DESCRIPTION	ITEM	QTY.	PART NUMBER	DESCRIPTION
A	1		Brush guard (driver)	D	1		Mounting Bracket (passenger)
B	1		Brush guard (passenger)	E	1		Extension Bracket (driver)
C	1		Mounting Bracket (driver)	F	1		Extension Bracket (passenger)

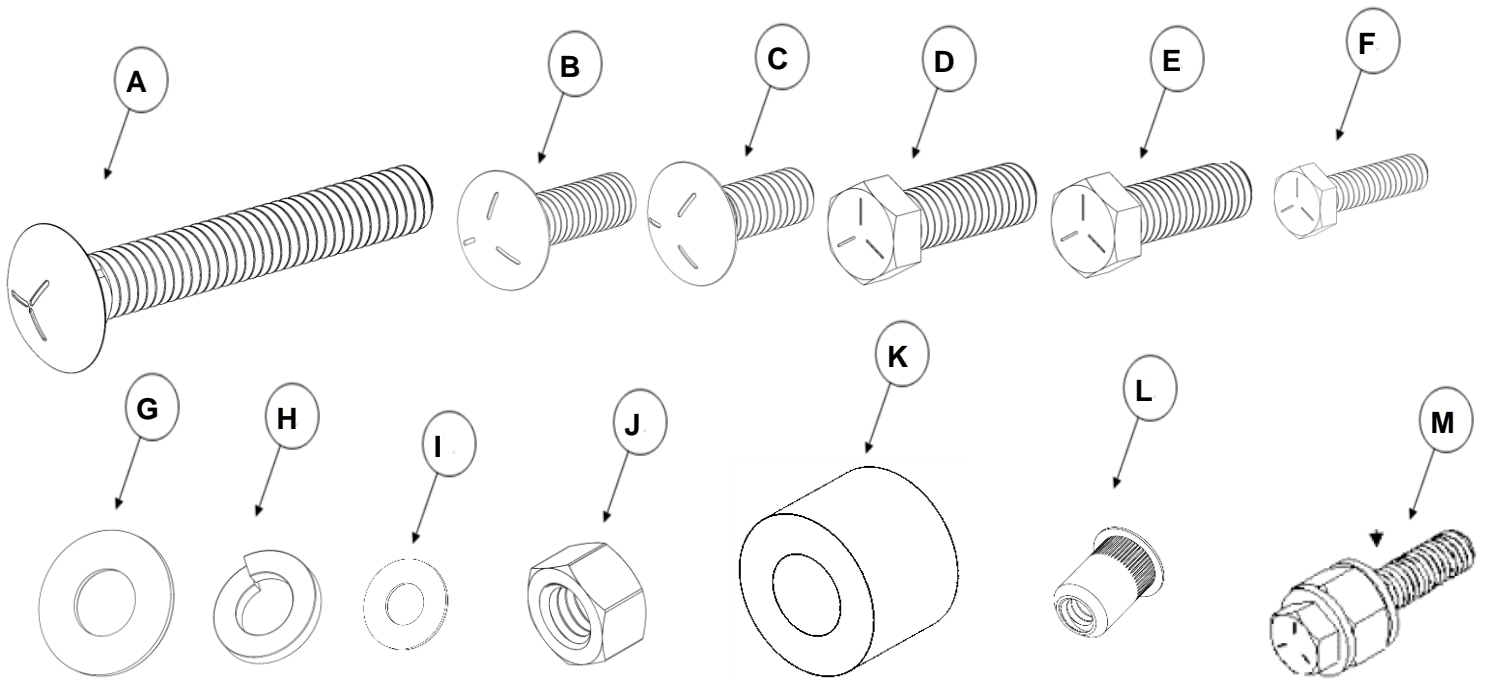


GO RHINO®

INSTALLATION INSTRUCTIONS

PARTS INCLUDED IN THIS LIST:

Item	QTY	Description	Item	QTY	Description
H	4	CARRIAGE BOLT 3/8-16 x 2 1/2"	O	16	FLAT WASHER 3/8"
I	4	CARRIAGE BOLT 3/8-16 x 1-1/4"	P	4	FLAT WASHER 1/4"
J	4	CARRIAGE BOLT 3/8-16 x 1"	Q	4	LOCK WASHER 3/8"
K	2	HEX BOLT 3/8x1 1/2"	R	12	HEX NUT 3/8"
L	2	HEX BOLT 3/8x1 1/2"	S	2	1/2" SPACER
M	4	HEX BOLT 1/4"x1"	T	4	1/4 RIVET NUT
N	18	LOCK WASHER 3/8"	U	1	RIVET NUT TOOL



Go Rhino recommends you, the installer, read this installation instruction manual from front to back before installing the product. You may also [click here](#) to view an installation video or visit <http://www.gorhino.com/Installation-Videos>.

TOOLS NEEDED FOR INSTALLATION:

- Inch / Metric Socket & Wrench Set
- Ratchet, Ratchet Extensions & Swivel Joint Adapter
- Trim Removal Tool or Slotted Blade Screw Driver
- Drill Motor & 1/4" Drill Bit
- Cutoff Tool & Diagonal-Cutting Pliers

ESTIMATED TIME FOR INSTALLATION:

1.5 Hour

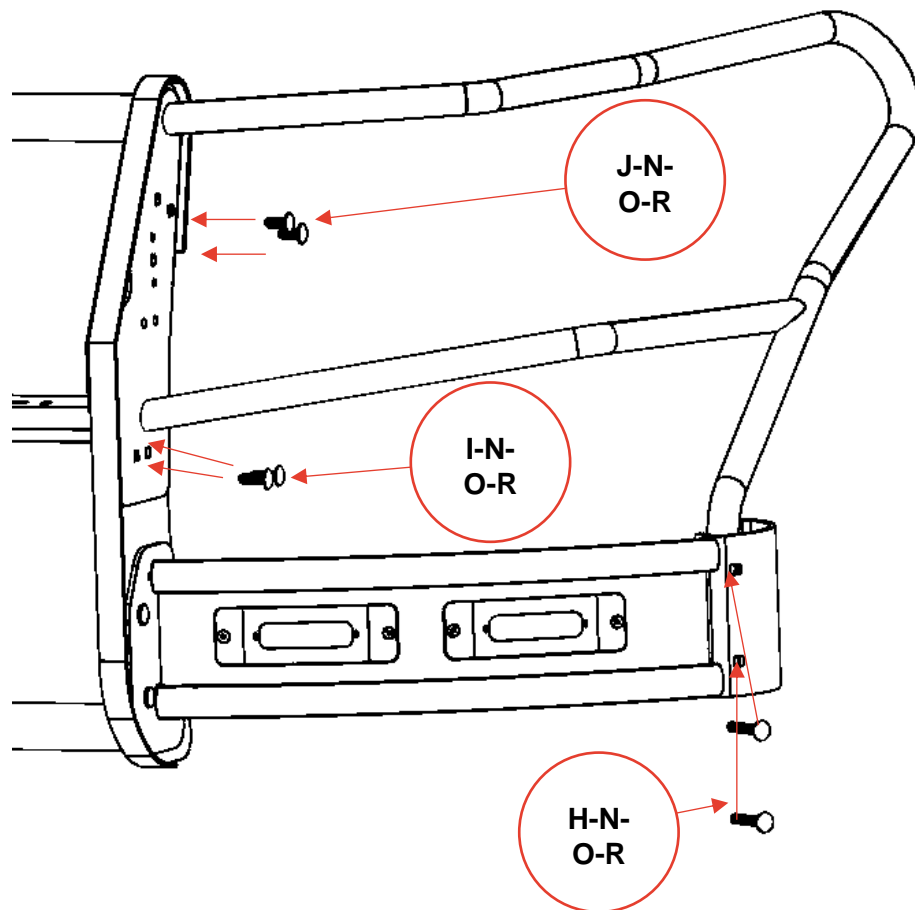
If you need installation service for your new product, call the authorized distributor from whom you purchased the product or an authorized installation service company which can be found by calling toll free 1-888-427-4466

GO RHINO®

Step-1 Reference the push bumper installation instructions to remove the bumper cover and complete the installation of the push bumper brackets, push bumper and lower pit bar. Note: Do not reinstall the bumper cover, fender well trim and fender liner at this time.

Step-2 The following steps involve mounting the upper wraps to the push bumper. Remove the nut, bolt and washers toward the rear securing the push bumper to the upper extension bracket, then attach the driver side brush guard to the push bumper using (2) 3/8" x 1 1/4" carriage bolts (UPPER HOLES), (2) 3/8" x 1 1/2" carriage bolt (LOWER HOLES), (8) 3/8" flat washers, (4) 3/8" lock washers and (4) 3/8" hex nuts, (Fig 5).

Step-3 With the lower pit bars installed to the push bumper, secure the lower outer wrap tube to it. Remove the nut, bolt and washers toward the rear securing the push bumper to the upper extension bracket, then attach the driver side brush guard to the push bumper using (2) 3/8" x 2 1/2" carriage bolts, (2) 3/8" flat washers, (2) 3/8" lock washers and (2) 3/8" hex nuts, .



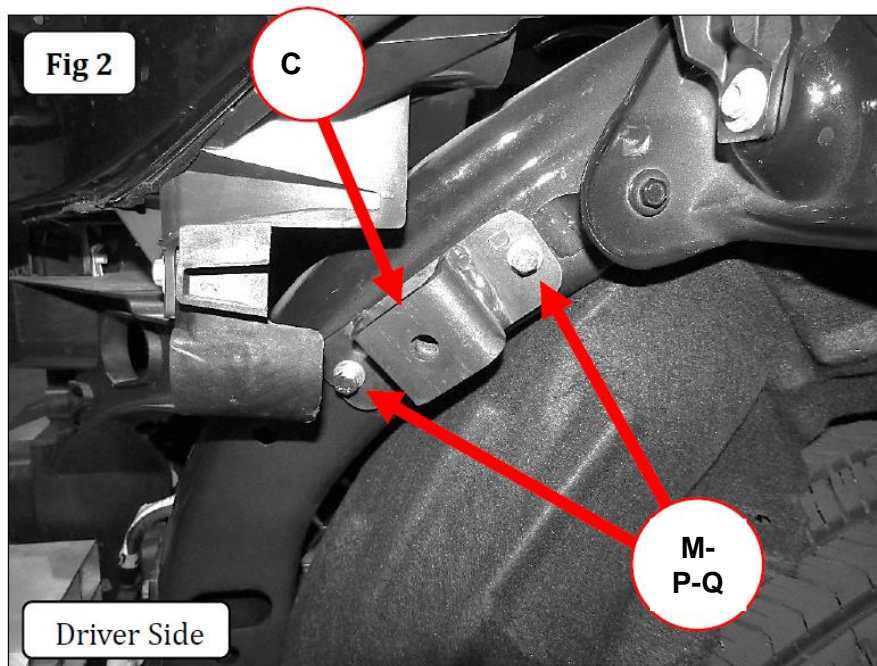
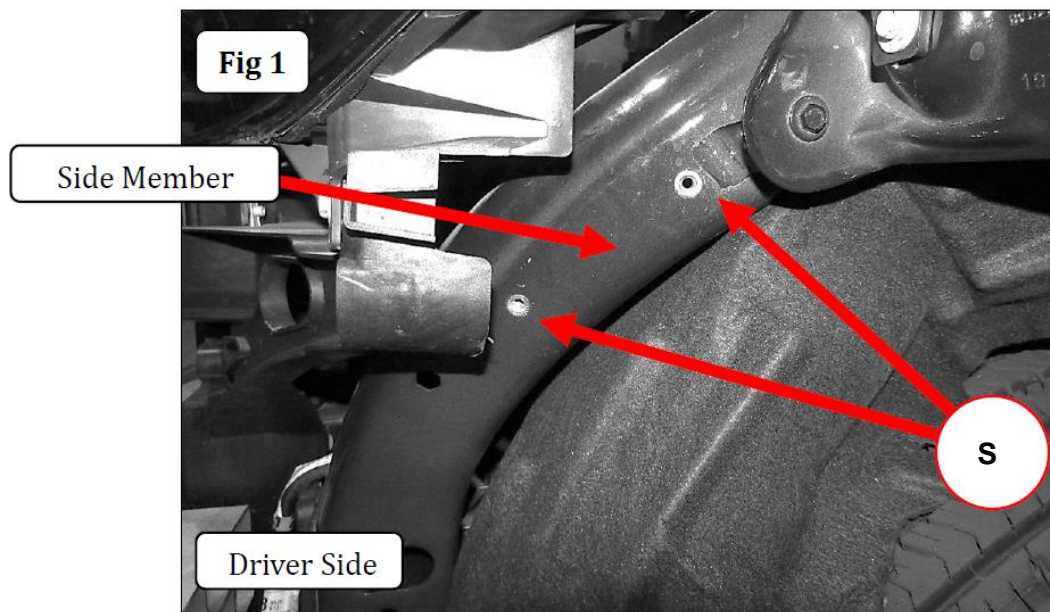
GO RHINO®

INSTALLATION INSTRUCTIONS

Step-4 Remove front fascia. Reference the push bumper installation instructions to remove the bumper cover and complete the installation of the push bumper brackets, push bumper and lower pit bar. Note: Do not reinstall the bumper cover, fender well trim and fender liner at this time.

Step-5 Locate (2) holes in the side member on the driver side of the vehicle. Enlarge the holes to 25/64" and install a 1/4" rivet-nut in each hole using the supplied tool kit, (Fig 1, 1.1 & 1.2).

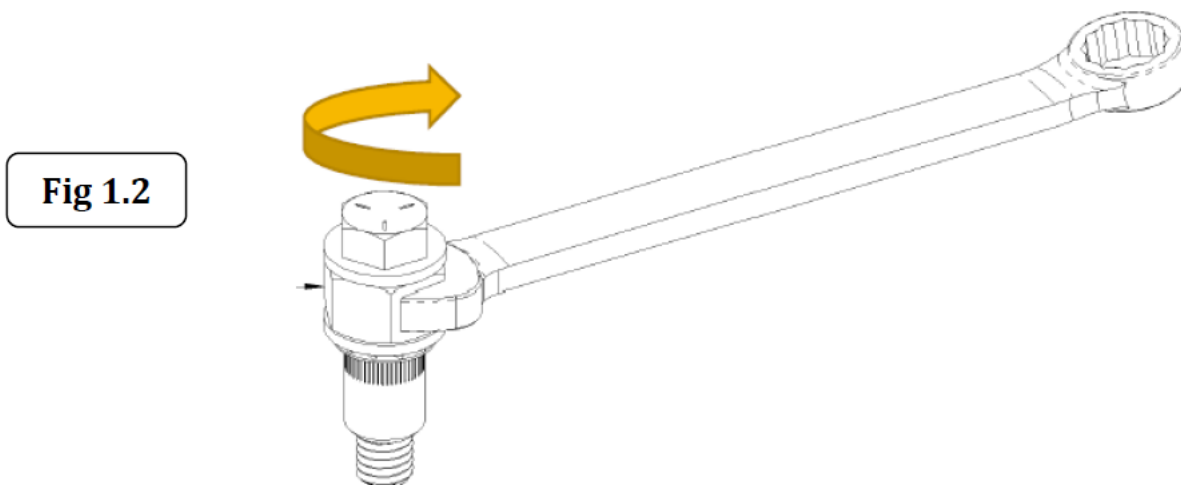
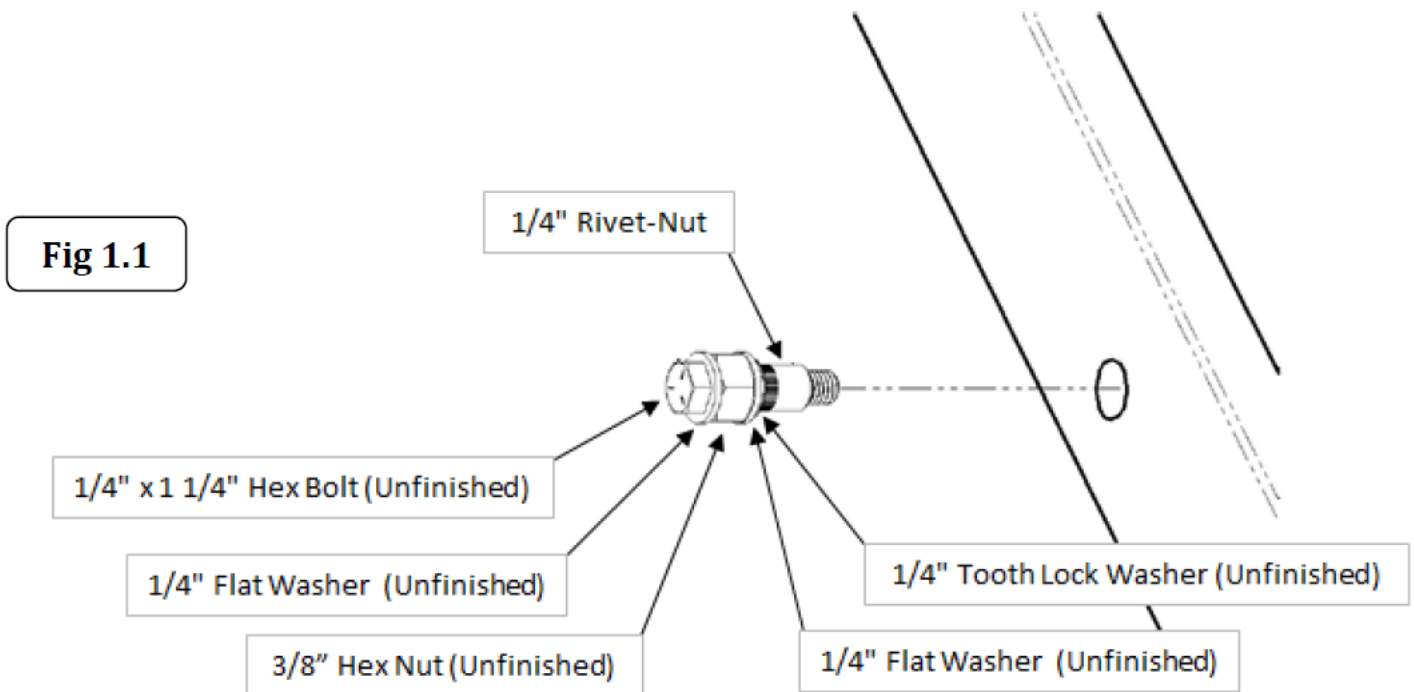
Step-6 Attach the driver side mounting bracket to the side member using (2) 1/4" x 1" hex bolts, (2) 1/4" lock washers and (2) 1/4" flat washers, (Fig 2). Finger tighten the bolts.



GORRHINO®

INSTALLATION INSTRUCTIONS

Step-7 Assemble the tool components (hex bolt, flat washer, hex nut, flat washer, lock washer) and rivet-nut. Place the nut-sert with the attached tool components into the hole in the side member. Use a 9/16" wrench to hold the nut, and tighten the bolt using a 7/16" wrench or socket and ratchet. Continue tightening the bolt until the rivet-nut is fully compressed and no longer spins then remove the tool components. Install a rivet-nut in the remaining hole in the frame member.

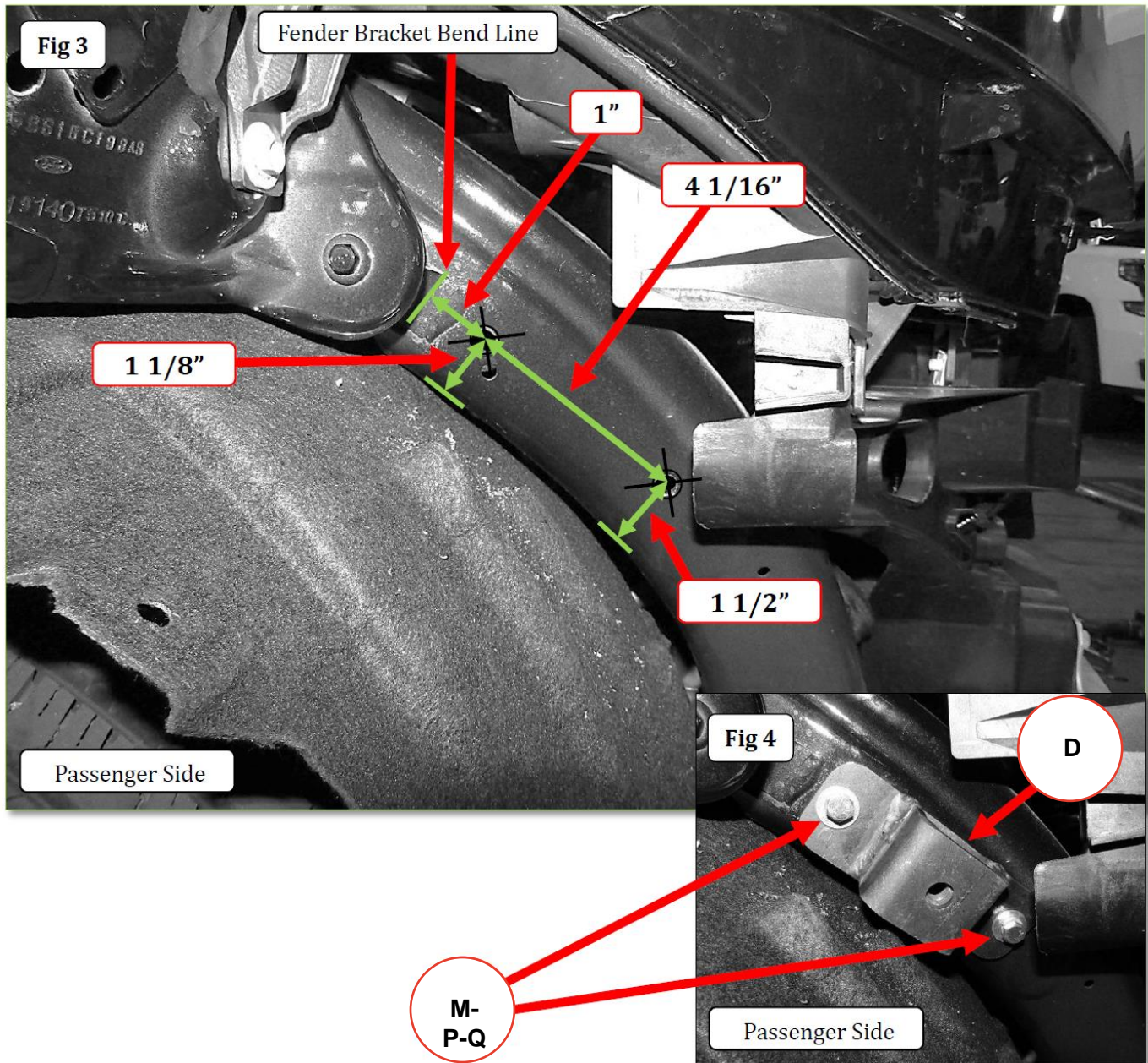


GO RHINO®

INSTALLATION INSTRUCTIONS

Step 8 Transfer the measurements for the (2) holes in the side member from the driver side to passenger side, (Fig 3). Drill $25/64$ " in the side member and install a $1/4$ " rivet-nut in each hole.

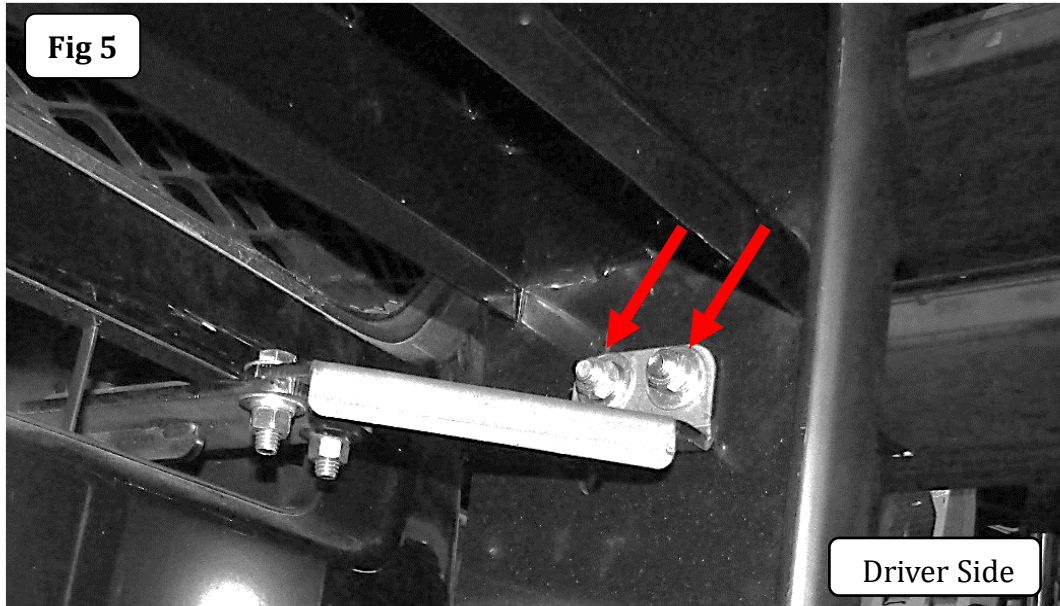
Step 9 Attach the passenger side mounting bracket to the side member using (2) $1/4$ " x 1" hex bolts, (2) $1/4$ " lock washers and (2) $1/4$ " flat washers, (Fig 4). Finger tighten the bolts.



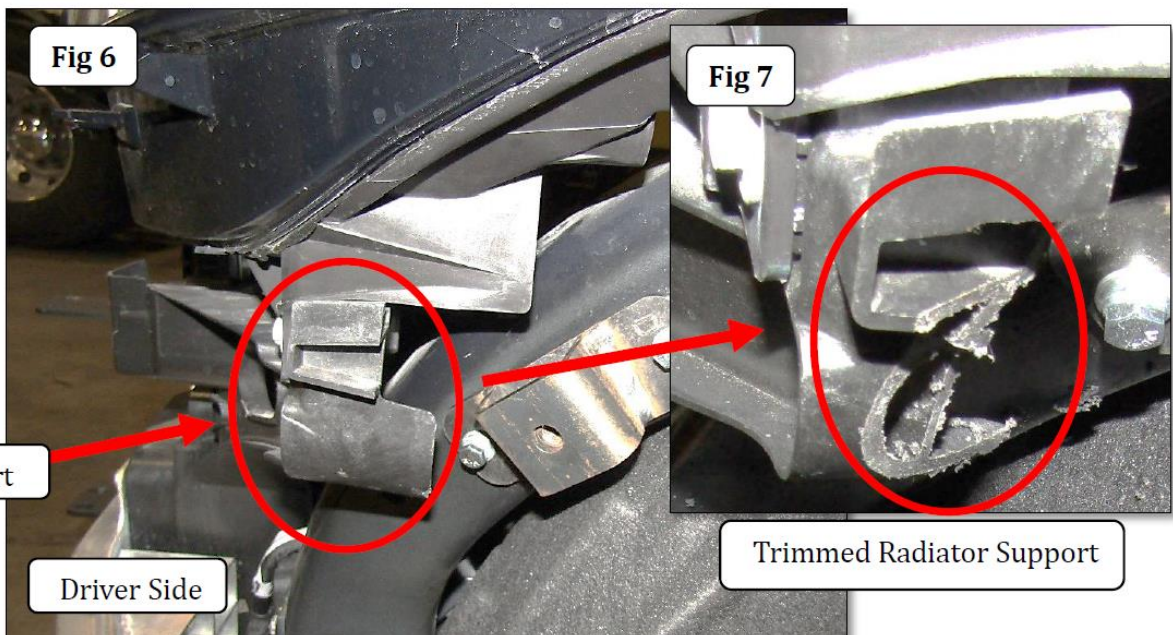
GO RHINO®

INSTALLATION INSTRUCTIONS

Step-10 Remove the nut, bolt and washers securing the push bumper to the upper extension bracket, (Fig 5), then attach the driver side brush guard to the push bumper using on the upper holes (2) 3/8" x 1" carriage bolts, (2) 3/8" flat washers, (2) 3/8" lock washers and (2) 3/8" hex nuts, and for the bottom holes (2) 3/8" x 1 1/2" carriage bolts, (2) 3/8" flat washers, (2) 3/8" lock washers and (2) 3/8" hex nuts. Leave hardware loose.



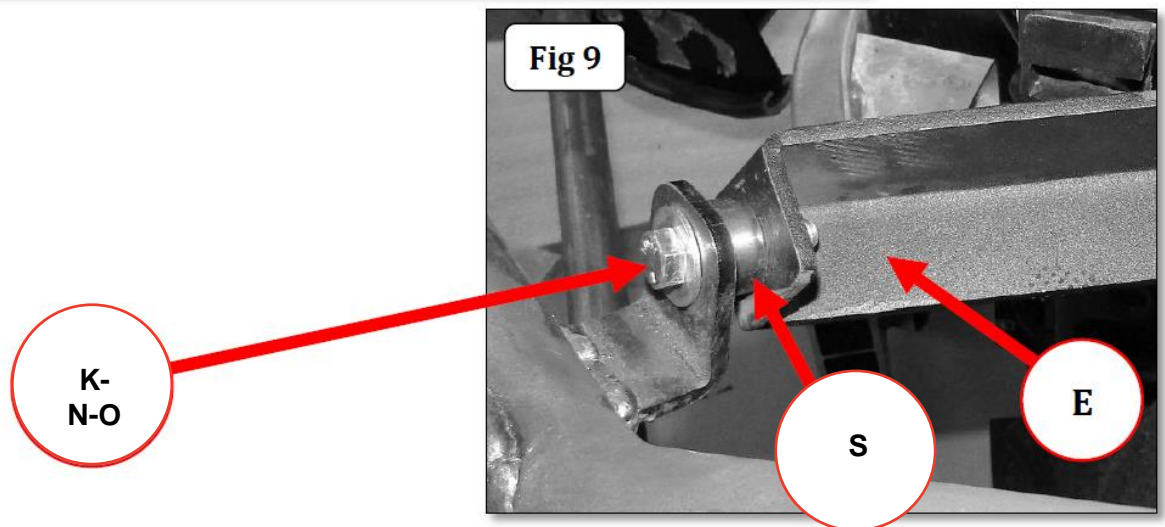
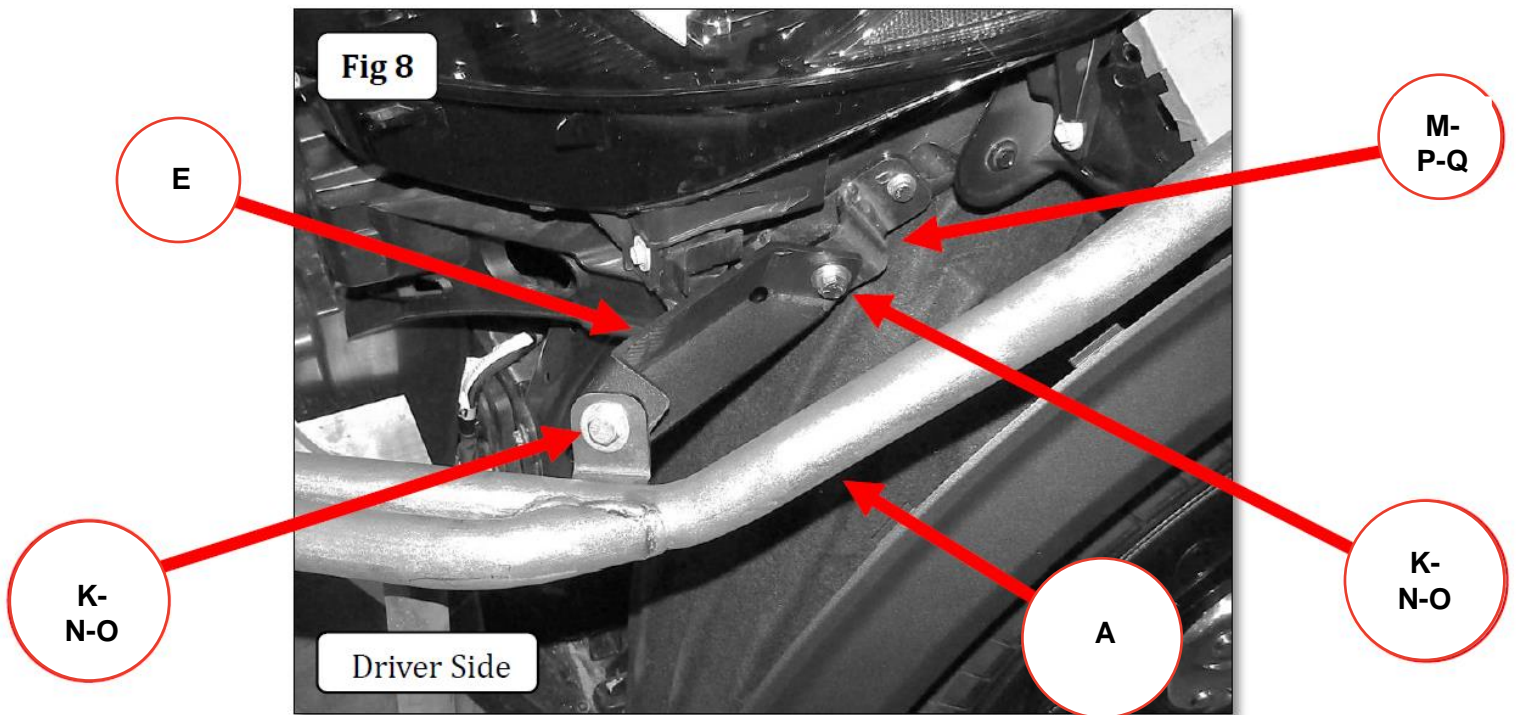
Step-11 On each side of the vehicle, the plastic radiator support must be trimmed to allow clearance for the extension bracket to align with, and bolt to the mounting bracket and brush guard tab. Using a die grinder with a cutoff wheel or sanding disc, trim the radiator support as required, (Fig 6 & 7). Check the proper fit is achieved by aligning extension bracket with the mounting bracket and brush guard tab.



GO RHINO®

INSTALLATION INSTRUCTIONS

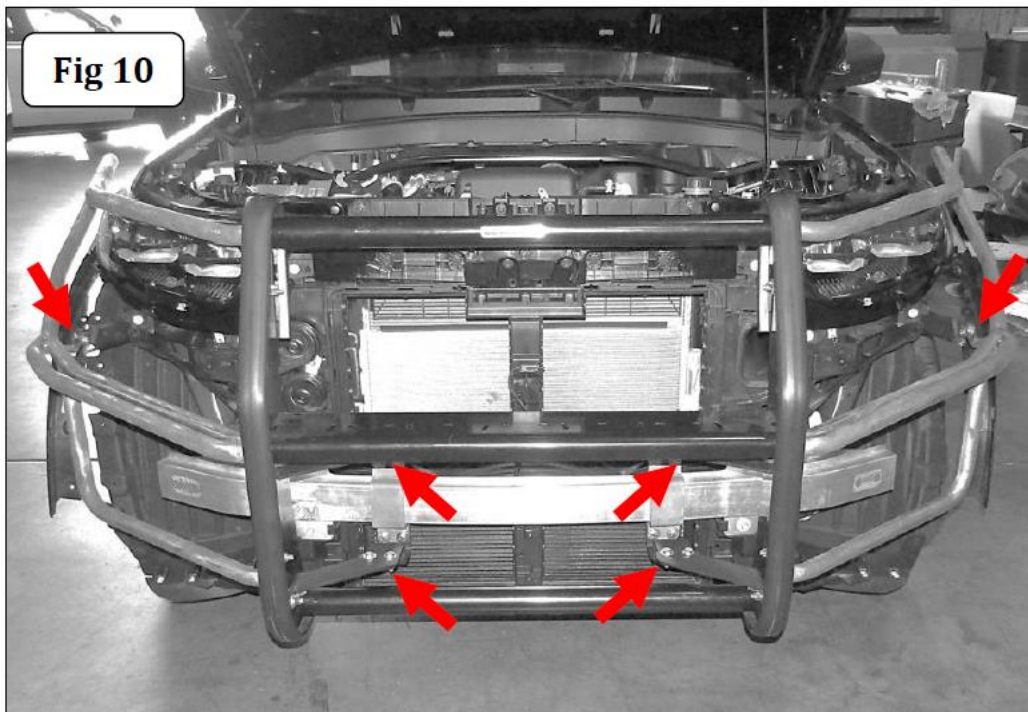
Step-12 Once the proper fit is achieved, attach the driver side extension bracket to the mounting bracket using (1) 3/8" x 1 1/4" hex bolt, (1) 3/8" lock washer and (1) 3/8" flat washer. Attach the opposite end of the driver side extension bracket to the tab on the driver side brush guard using (1) 3/8" x 1 1/2" hex bolt, (1) 3/8" lock washer and (1) 3/8" flat washer, (Fig 8 & 9). Note: place (1) spacer between the brush guard tab and the extension bracket.



GO RHINO®

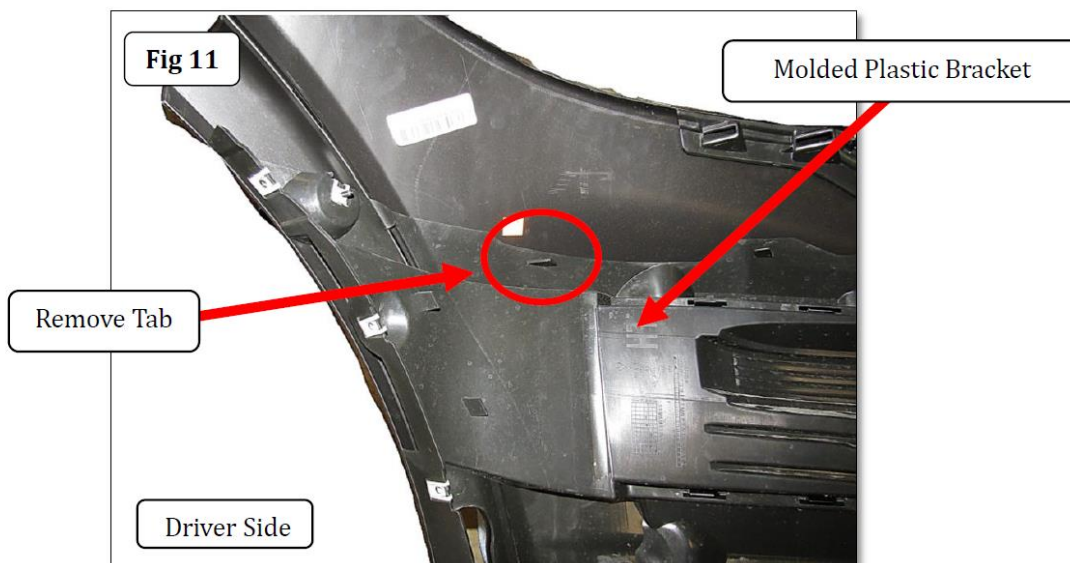
INSTALLATION INSTRUCTIONS

Step-13 Remove the bolts, washers and spacers securing the brush guard tabs to the brush guard extension brackets then the nuts, bolts and washers securing the push bumper extension brackets to the push bumper main brackets, (Fig 10). With assistance remove the push bumper with the attached extension brackets and brush guards from the vehicle.



Step-14 Using a die grinder with a cutoff wheel or sanding disc, remove the tab from the molded plastic bracket attached to each side of the bumper cover, (Fig 11).

Step-15 Reinstall the bumper cover fender liners and fender well trim at this time.



GO RHINO®

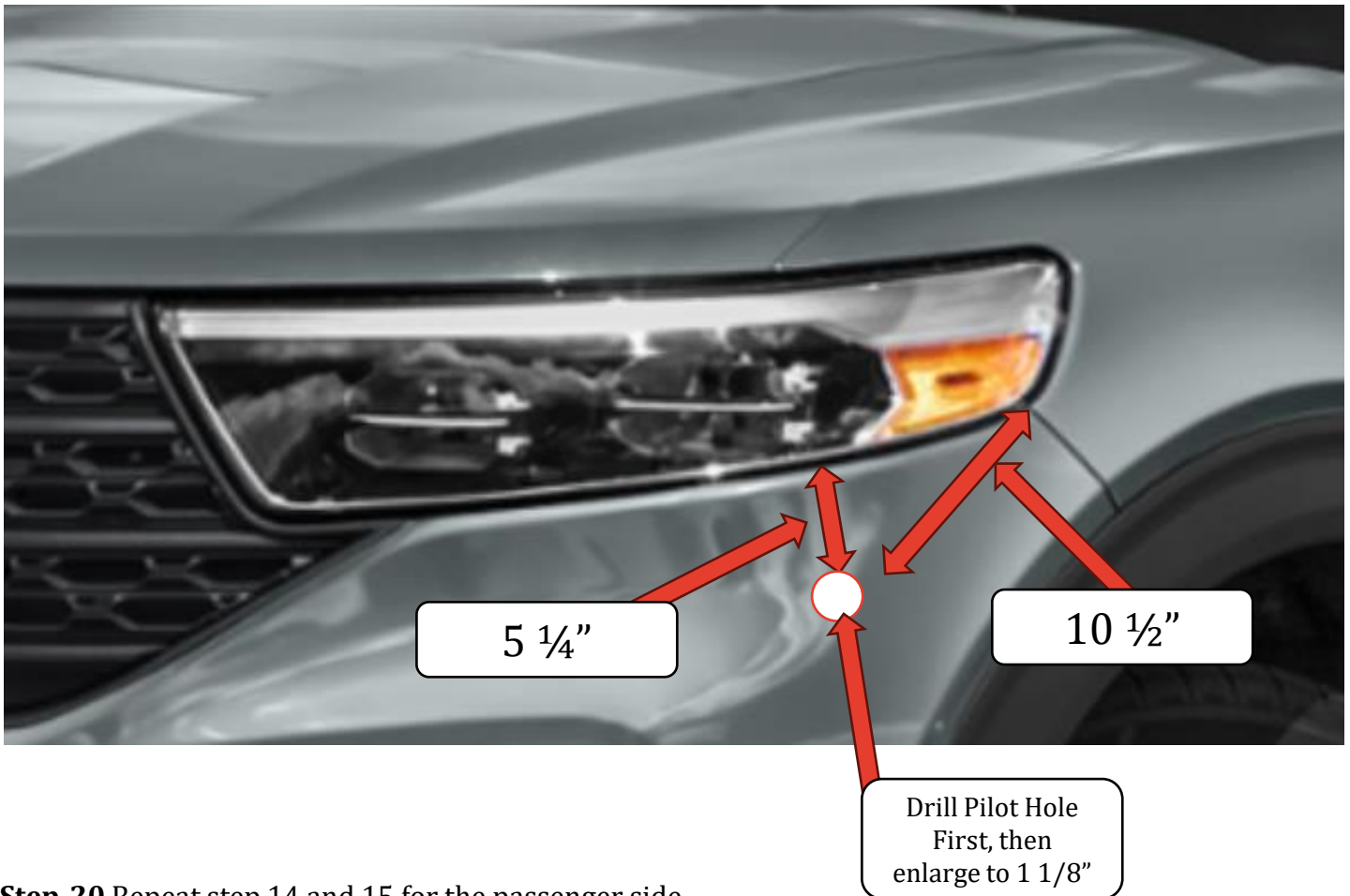
INSTALLATION INSTRUCTIONS

Step-17 Reinstall the front bumper cover fender liners and fender well trim.

Step-18 Use the corner of the bumper and headlight as a reference point and measure from the point toward the front of the vehicle 10 1/2", then measure down from the bottom edge of the headlamp assembly 5 1/4" and mark a intersecting point on the front bumper cover, (Fig 12).

Step-19 At the marked point on the front bumper cover, drill a small pilot hole through the front bumper cover first to confirm the hole aligns with the weld nut on the extension bracket then enlarge the hole in the front bumper cover to 1 1/8".

Installation Tip: Reinstall the front bumper cover. Pull the inner fender liner aside in the wheel well to access behind the bumper cover. Using a scratch awl or similar tool, and the hole in nut welded to the extension bracket as a guide, punch a small starting hole through the bumper cover. From the front of the bumper cover enlarge the hole as required. Reinstall the fender liners and fender well trim.



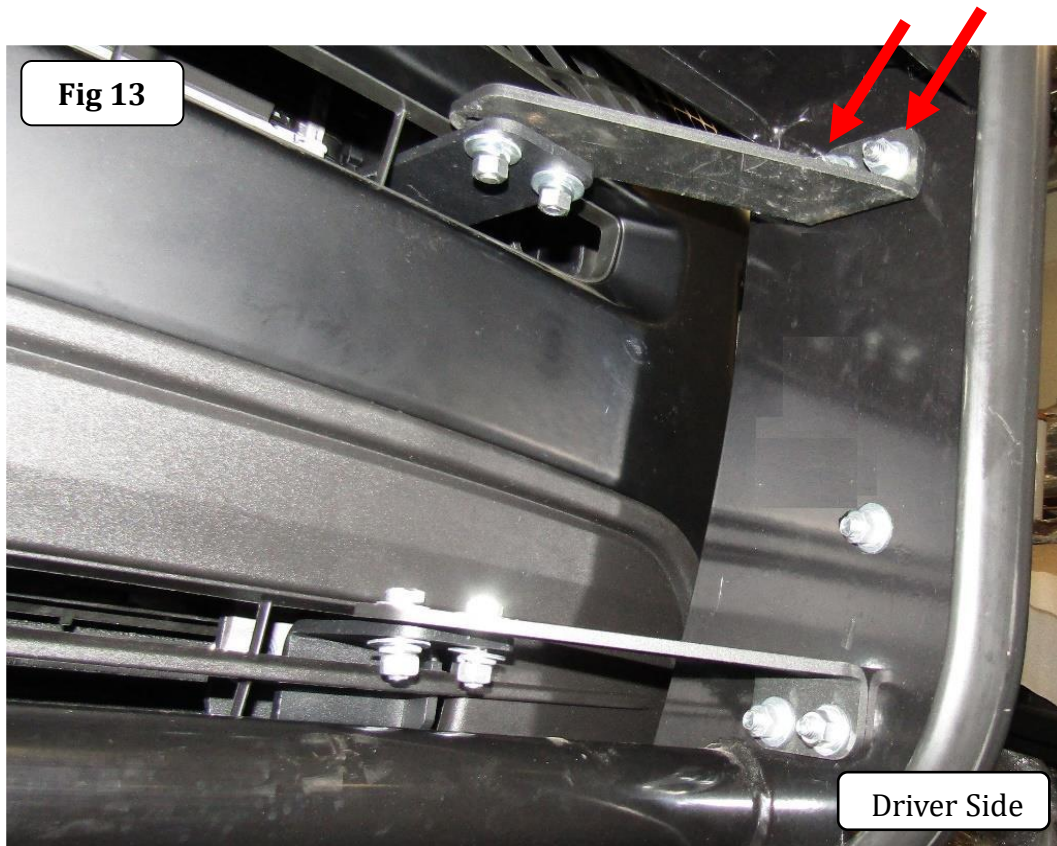
Step-20 Repeat step 14 and 15 for the passenger side

GO RHINO®

INSTALLATION INSTRUCTIONS

Step-21 With assistance reattach the push bumper extension brackets attached to the push bumper, to the push bumper main brackets using the nuts and washers removed in step 11, (Fig 13) and the tabs on the attached brush guards to the brush guard extension brackets using the bolts washers and spacers removed in step 11, (Fig 14).

Reminder: Position the supplied spacers in the drilled hole in the bumper cover between the brush guard tab and the brush guard extension bracket.



GO RHINO®

INSTALLATION INSTRUCTIONS

Step-22 Align the push bumper and brush guard assembly with the vehicle and tighten all nuts and bolts.





INSTALLATION INSTRUCTIONS

LIMITED WARRANTY

Go Rhino warrants to Buyer that for a period of five (5) years from the date of shipment of the product(s) ("Warranty Period") for black finishes and chrome finishes, that such products will materially conform to the specifications set forth in Go Rhino's specifications in effect as of the date of shipment(s) and will be free from material defects in material workmanship.

Go Rhino warrants to Buyer that for the life of the product(s) from the date of shipment of the product(s) ("Warranty Period") for polished stainless steel finished products purchased after April 2004, that such products will materially conform to the specifications set forth in Go Rhino's specifications in effect as of the date of shipments and will be free from material defects in material workmanship.

Warranty claims must be accompanied with the original invoice and photos of the product. It is the customer's responsibility to clean regularly and protect finish with regular applications of a nonabrasive polish that is compatible with the product's finish.

This warranty covers the cost of the product only and does not include the cost of removal, installation, third party modifications or shipping of the product. In no event shall Go Rhino be liable to buyer or any third party for any damage or harm caused by the product or use thereof, regardless of whether such damages were foreseeable and whether or not Go Rhino has been advised of the possibility of such damages, not withstanding the failure of any agreed or other remedy of its essential purpose. This warranty is void if the product shows signs of alteration, misuse, mishandling, improper care, neglect, improper application and/or damage due to improper installation.

With respect to any such product(s) during the limited warranty period, Go Rhino shall, in its sole discretion, either: (i) provide a one-time repair or replacement of such products (or the defective part) or (ii) credit or refund the price of such products at the pro rata contract rate provided that, if Go Rhino so requests, Buyer shall, at Go Rhino's expense, return such product(s) to Go Rhino. The remedies shall be the Buyer's sole and exclusive remedy and Go Rhino's entire liability for any breach of the limited warrant(ies).

Go Rhino disclaims all other warranties except to the extent that any such warranty cannot be validly disclaimed under applicable law.

Finish Limited Warranty:

Limited lifetime on stainless steel products (after April 2004)

5 year warranty on black powder coat products

5 year warranty on chrome products

This warranty does not cover exposed welds

Finish warranty covers peeling, flaking, or cracking. Washing all finishes regularly with car wash soap and rinsing well with water is the best method for maintaining the finish on your products. You must also protect the finish with nonabrasive automotive wax on a regular basis. The use of any compound which contains abrasives becomes a self-defeating exercise as the compound scratches the finish and opens it to corrosion. The use of harsh chemicals used to remove bugs and tar may also cause the finish to fail and should be avoided.

If you are unsatisfied with your purchase please contact the establishment you purchased the product from.

If you need to place a warranty claim or need assistance, the Go Rhino customer service team will answer any questions you may have. Please contact the Go Rhino customer service team at 1-888-427-4466 during normal business hours Monday thru Friday 7 am to 5 pm PST. You may also email warranty@gorhino.com. In order to better serve you please provide a copy of the original invoice / receipt, a photo of the issue you are experiencing and a photo of the vehicle the product is installed on.

All warranty returns must have an approved RGA number. The RGA number must be clearly marked on the exterior of the return package. All approved warranty returns must be shipped to Go Rhino Products, 810 Nafta Blvd Laredo, TX 78045

PRODUCT REGISTRATION

Please remember to register your new purchase. You may register your product at www.gorhino.com. Registering your product may help speed any future warranty or customer service inquiries.

Thank you again for purchasing from Go Rhino Products

Please take a few minutes to view additional products for your vehicle and more at GORHINO.com
These installation instructions are available on the Go Rhino web site along with installation videos for many of our products.

www.gorhino.com

www.bigcountryauto.com

www.gorhinopd.com