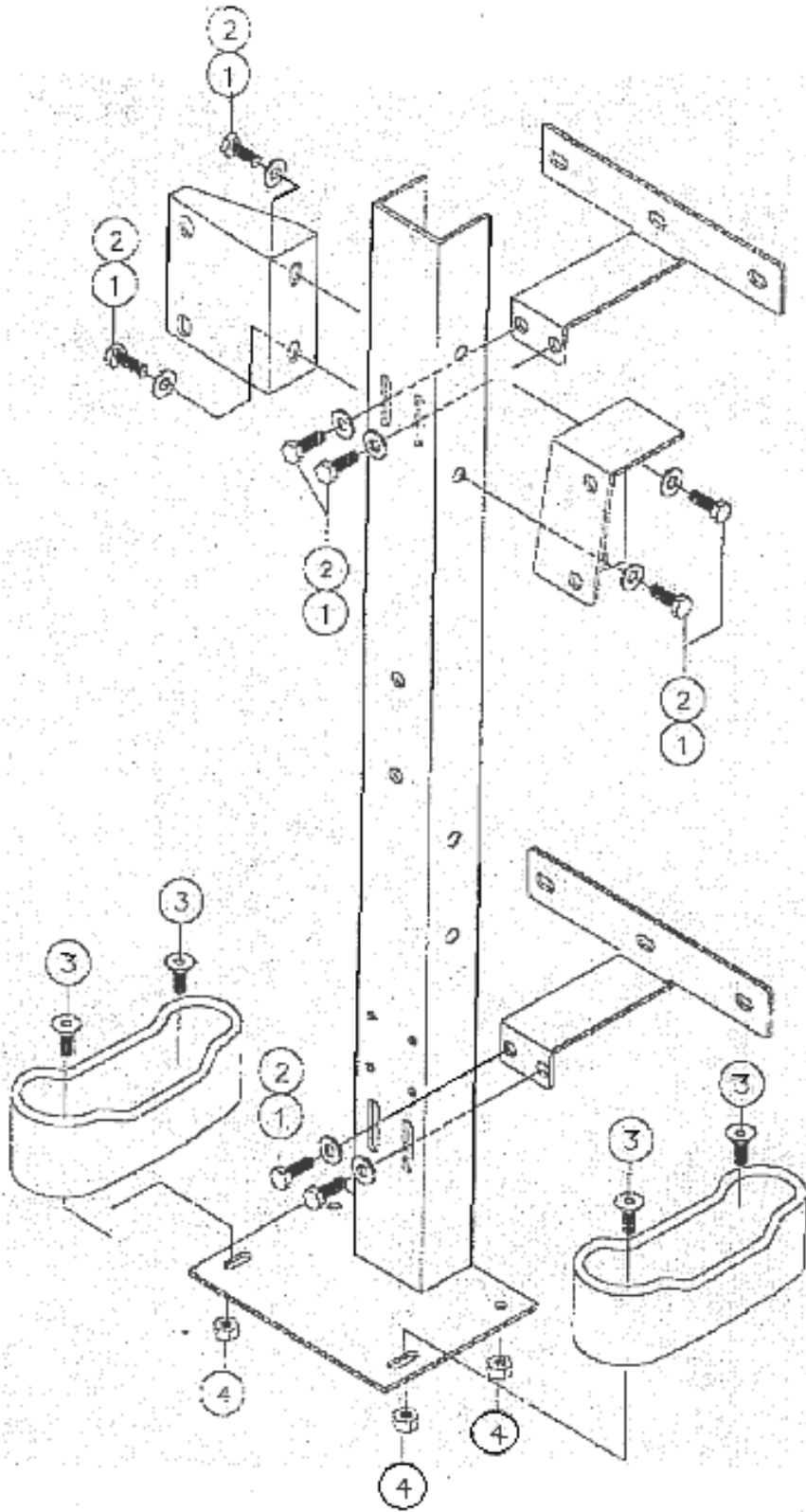


**GO RHINO! PRODUCTS
GUN RACK INSTALATION SEQUENCE**

Part No. 58000



1.	1/4"x1" HEX BOLT
2.	1/4" FLAT WASHER
3.	1/4"x3/4" FLAT HEAD BOLT
4.	1/4" NYLOCK NUT

