

INSTALLATION INSTRUCTIONS

2013 Ford Explorer Recessed Panel Kit Part Number 5700FER

Do not attempt to install this product on any vehicle other than the one it is designed for and listed above!

Parts List

<u>QTY</u>	<u>Part Description</u>	<u>QTY</u>	<u>Part Description</u>
1	58031 Driver Recessed Kick Panel	1	57942 Recessed Storage Center Panel
1	58032 Passenger Recessed Kick panel	15	1/4" x 3/4" Flange socket head cap screw
		2	1/4" Serrated Hex Nut

Tool Required:

5/32" Hex Key
7/16" Wrench

Approximate installation time: 20min

Installation

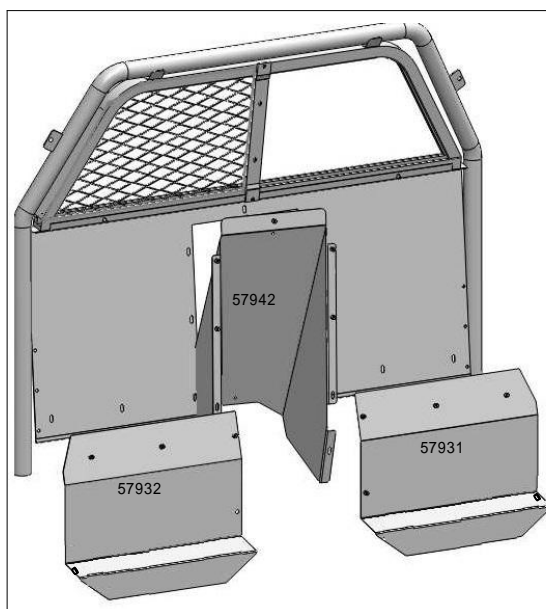
Read the installation instructions completely and verify that all of the parts listed are accounted for.

Step-1 Move the front seats to the forward position.

Step-2 Remove the screws and standard center panel from the partition.

Step-3 Position the recessed storage panel in front of the partition, and then slide it rearward through the opening. Attach the storage panel to the partition using (5) 1/4" x 3/4" flange socket head screws. Leave the screws loose for final adjustment.

Step-4 Position the driver and passenger kick panels in front of the partition. Attach each of the kick panels to the partition, extension panel and foot bracket using (5) 1/4" x 3/4" flange socket head screws and (1) 1/4" serrated hex nut. Make final adjustments and tighten the screws.



Please do not return this product to place of purchase. If you have defective, missing or damaged parts or need assistance, please contact *Go Rhino Products* for fast, friendly customer service at: 1-888-427-4466 or email: warranty@gorhino.com