

# INSTALLATION INSTRUCTIONS

## 2011- 2012 Chevrolet Caprice Recessed Panel Kit Part Number 5700CCR

Do not attempt to install this product on any vehicle other than the one it is designed for and listed above!

### Parts List

| <u>QTY</u> | <u>Part Description</u>             | <u>QTY</u> | <u>Part Description</u>                  |
|------------|-------------------------------------|------------|--|
| 1          | 57831 Driver Recessed Kick Panel    | 1          | 57842 Recessed Storage Center Panel      |
| 1          | 57832 Passenger Recessed Kick panel | 13         | 1/4" x 3/4" Flange socket head cap screw |

### **Tool Required:**

5/32" Hex Key

**Approximate installation time: 15min**

### Installation

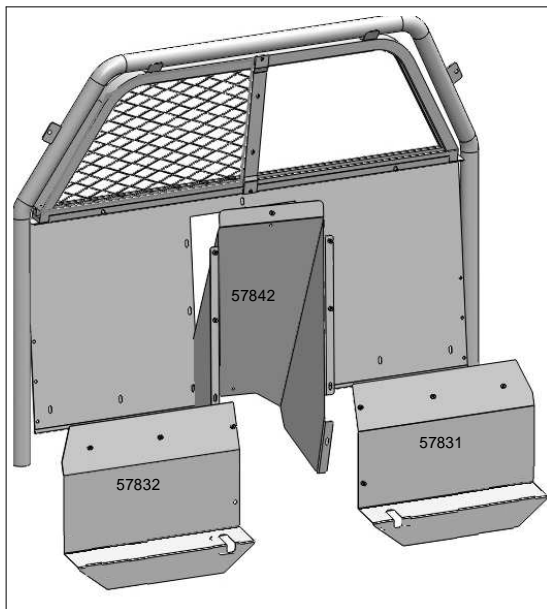
**Read the installation instructions completely and verify that all of the parts listed are accounted for.**

**Step-1** Move the front seats to the forward position.

**Step-2** Remove the screws and standard center panel from the partition.

**Step-3** Position the recessed storage panel in front of the partition, and then slide it rearward through the opening. Attach the storage panel to the partition using (5) 1/4" x 3/4" flange socket head screws. Leave the screws loose for final adjustment.

**Step-4** Position the driver and passenger kick panels in front of the partition. Attach each of the kick panels to the partition and storage panel using (4) 1/4" x 3/4" flange socket head screws. Make final adjustments and tighten the screws.



Please do not return this product to place of purchase. If you have defective, missing or damaged parts or need assistance, please contact *Go Rhino Products* for fast, friendly customer service at: 1-888-427-4466 or email: [warranty@gorhino.com](mailto:warranty@gorhino.com)