

Guardian Comfort Full Bed Liner

Guardian Comfort and Guardian Impact Bed & Tailgate Mat

Preparation

Part Number(s): Multiple

WARNING: IMPROPER INSTALLATION WILL RESULT IN BED LINER FLYING OUT OF THE TRUCK.

FOLLOW INSTRUCTIONS EXACTLY.

IMPORTANT: Never cut or put slits through any seams or sewn areas of the bed liner, unless specifically detailed in these instructions. This will cause the seam to come completely apart.

Kit Contents

Item #	Quantity Req'd	Description
1	1	Bed liner floor/tailgate assy
2	1	Bed liner bulkhead/sidewall assy
3	1	Hardware kit

General Applicability

Multiple

Additional Items Required For Installation

Item #	Quantity Req'd	Description

Legend

STOP: Damage to the vehicle may occur. Do not proceed until process has been complied with.

OPERATOR SAFETY: Use caution to avoid risk of injury.

CAUTION: A process that must be carefully observed in order to reduce the risk of damage to the accessory/vehicle and to ensure a quality installation.

TOOLS & EQUIPMENT: Calls out the specific tools and equipment recommended for this process.

Recommended Tools

Personal & Vehicle Protection	Notes
Safety Glasses	
Gloves	
Special Tools	Notes
	Tool required to remove tie downs (unique to vehicle)
Installation Tools	Notes
Utility Knife	Use to cut slits or trim bed liner for cargo mgmt. systems, bed acc. lights, etc.
Awl	Use to locate tie down fasteners. Holes to be placed in bed liner
Special Chemicals	Notes
Approved cleaner	Rubbing Alcohol

Guardian Comfort Full Bed Liner

Guardian Comfort and Guardian Impact Bed & Tailgate Mat

PROCEDURE

This document covers such items as:

- Vehicle Preparation (use of cleaners, adhesive promoters, etc.).
- Bed liner installation.
- Safety (rechecking torque procedure, etc.).

1. Check Kit Content.

- (a) Verify that the kit contains all the parts listed in the Kit Contents.

2. Vehicle Preparation.

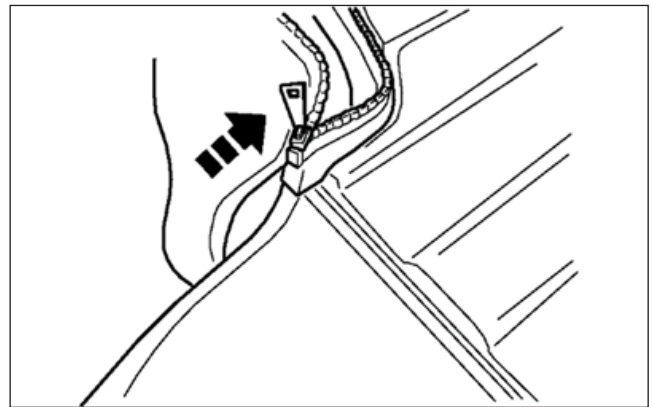
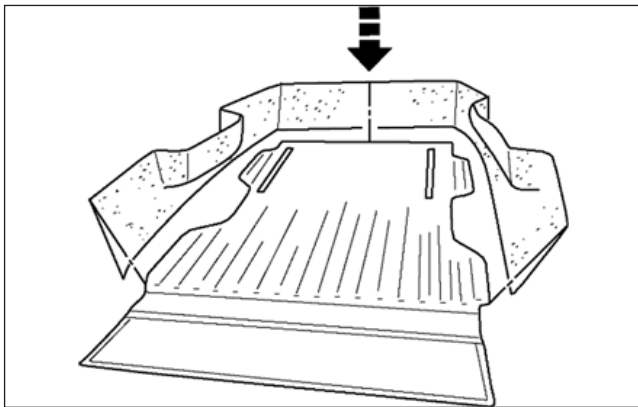
- (a) Wash and Dry the Bed and Tailgate areas thoroughly.

(b) **IMPORTANT:** Review all instructions before beginning installation. Truck bed should be at least 68°F (20°C) for maximum adhesion. Clean all areas with an approved cleaner before applying tape. Do not remove backing from any tape until ready to adhere to the truck bed. When removing backing, do not touch adhesive. Extra adhesive strips have been provided in the kit for future use or if the installer deems more fasteners are necessary for better fit/appearance.

3. Pre-assemble Bed Liner.

- (a) Align the sides of the bed liner as shown. **NOTE: BED LINER FLOOR IS FACE DOWN FOR THIS OPERATION.**

- (b) Once properly aligned, zip sides into place.

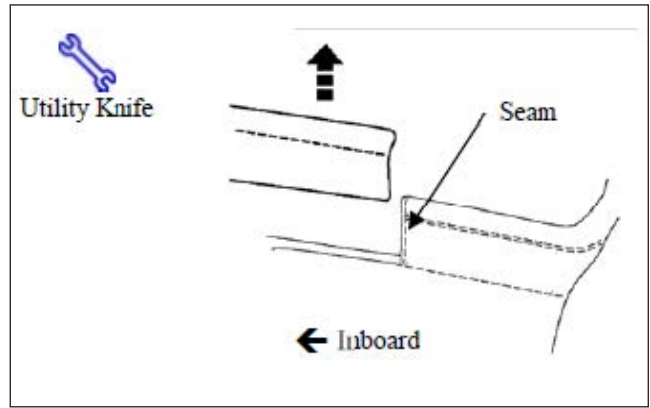
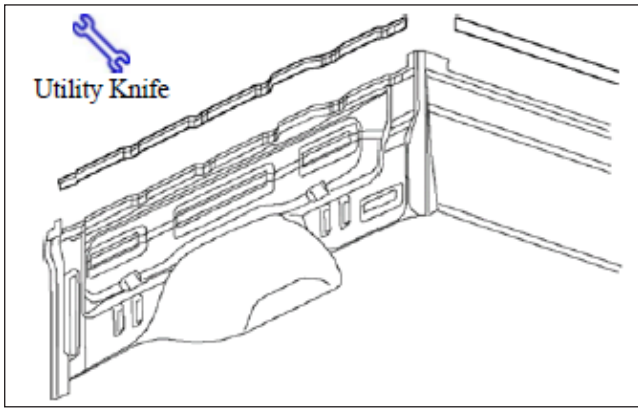


Guardian Comfort Full Bed Liner Guardian Comfort and Guardian Impact Bed & Tailgate Mat

4. Pre-fitting Bed Liner.

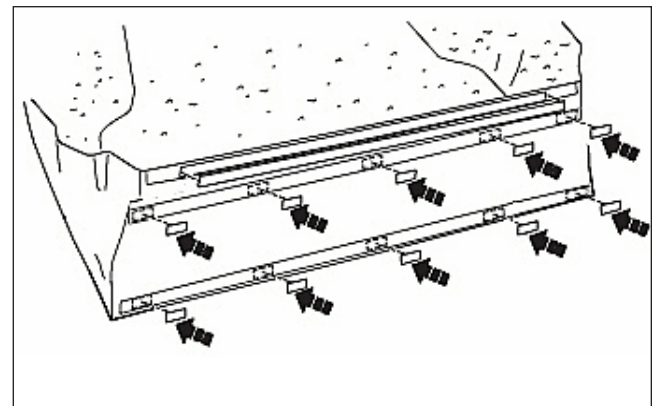
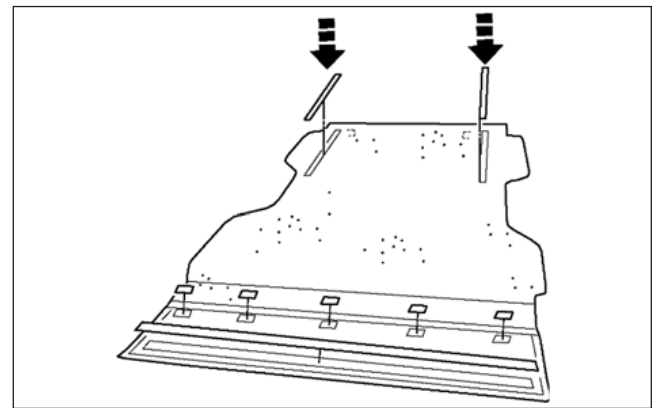
- (a) Before proceeding with installation, verify whether or not the bed of the vehicle has a bedrail cargo management system installed.
- (b) For Jeep Gladiator with rails, remove side rails and bulkhead rail before installing Bed Liner. Reinstall rails on Bed Liner once Bed Liner is installed. Hook fasteners are not necessary when rails are bolted on top of Bed Liner.
- (c) For 07-21 Toyota Tundra, trim off sections of the sides and/or bulkhead area if a bedrail is present. These trim lines are located on the back side of the side walls and bulkhead, and will vary depending on application. The Bed Liner bulkhead has vertical seams sewn on both sides, cut inboard of the seam.
- (d) If no bedrail is present, proceed with Step 5.

07-21 TUNDRA SHOWN



5. Installing fasteners to Bed Liner.

- (a) Attach (2) 1" X 36", 1" X 2" and 1" X 60" hook to underside of the bed liner and tailgate. Trim 1" X 60" strip where necessary. Do not remove adhesive protective film at this time.
- (b) Attach 1" X 60" and 1" X 2" hook to the Bed Liner bulkhead area facing the front as shown. Trim excess from 1" X 60" strip where necessary. **Do not remove adhesive protective film at this time.**



For bulkheads with nonwoven loop backing: Place hook fasteners in same general areas as shown. The hook fasteners will adhere directly to the loop backing. Ensure placement of hook fasteners will attach to a flat area on the truck bed.

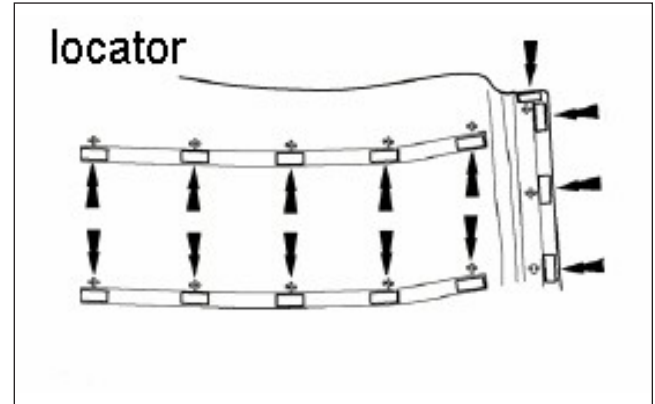
Guardian Comfort Full Bed Liner

Guardian Comfort and Guardian Impact Bed & Tailgate Mat

5 cont'd.

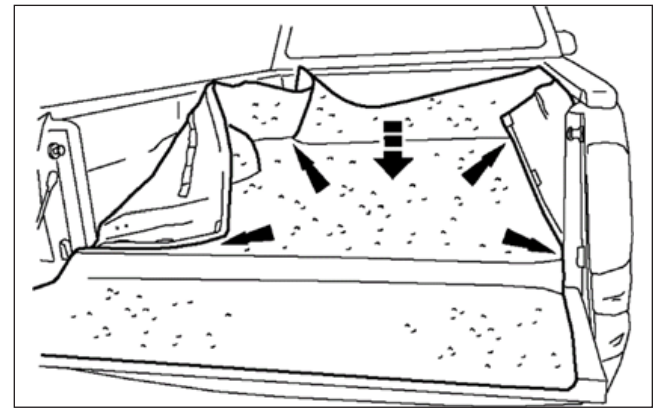
Middle 1" x 2" row of hook fasteners shown are not applicable on some models.

(c) Attach 1" X 2" fasteners to the back sides of the bed liner sidewalls as marked by locators. **Do not remove adhesive protective film at this time.**



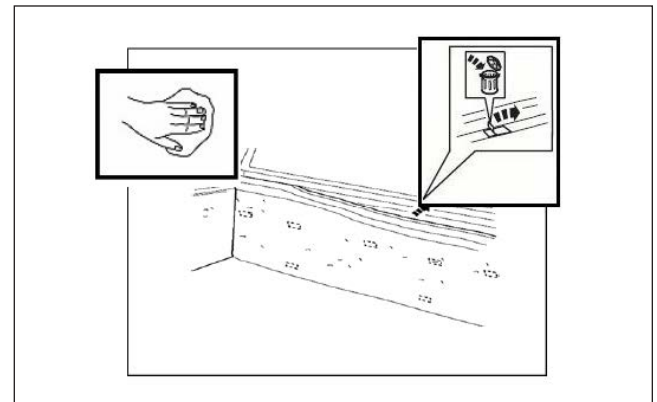
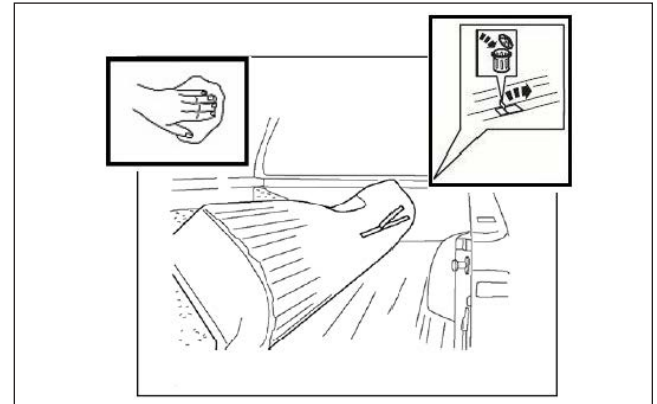
6. Installing Bed Liner floor and bulkhead

- (a) Locate bed liner in the truck bed.
- (b) Position the bed liner - front to rear and left to right by aligning all edges and tucking corners into place.
- (c) Roll the bed liner floor to you, exposing the 1"x36" fastener located on the bed liner bottom.
- (d) Clean attachment area thoroughly with alcohol and allow to dry.
- (e) Remove the film.
- (f) Roll the bed liner floor and sidewalls back in place.
- (g) Firmly press the bed liner top surface for 15 seconds to ensure adhesive attachment.
- (h) Repeat for other side
- (i) Fit top edge of bed liner bulkhead to top edge of body panel to determine best location.



Be sure fasteners are located on a flat solid surface of truck bed.

- (j) Clean attachment areas thoroughly with alcohol and allow to dry.
- (k) Remove the film working from bottom to top and center of part outboard.
- (l) Roll the bed liner top edge back in place.
- (m) Firmly press the bed liner top surface for 15 seconds to ensure adhesive attachment.



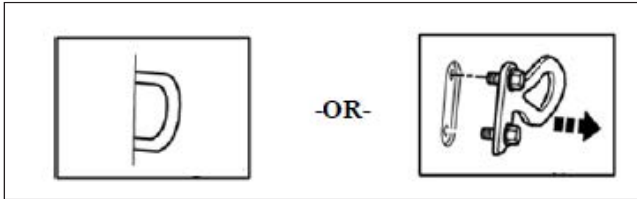
Guardian Comfort Full Bed Liner

Guardian Comfort and Guardian Impact Bed & Tailgate Mat

7. Fitting Bed Liner for beds with tie-down hooks or other optional features

Some truck beds are equipped with tie-down hooks, load extenders, accessory lights, power inverter outlet and other functional equipment located in the floor or sidewalls. For these the installer must either:

- (a) Cut a small slit or opening in the appropriate area allowing the equipment to protrude through the bed liner surface (This will not damage the bed liner) or,
- (b) Remove the equipment until the bed liner installation is complete, then reinstall the equipment on top of the bed liner.



Do not cut through any seams or sewn lines.

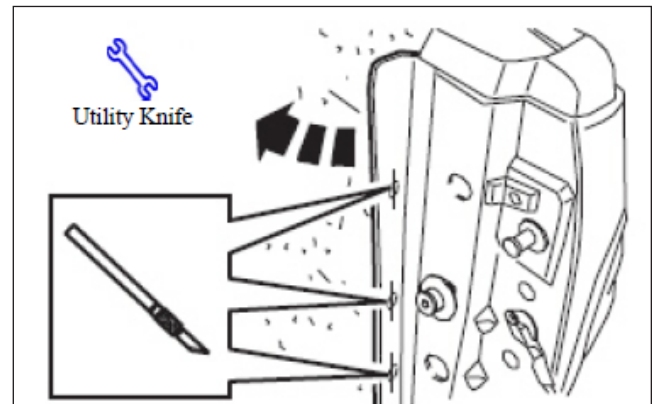
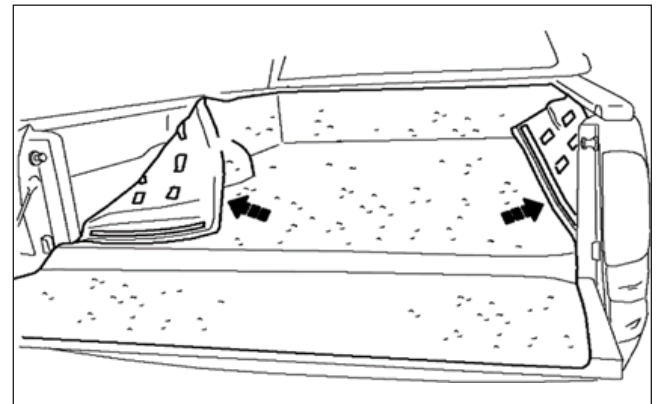
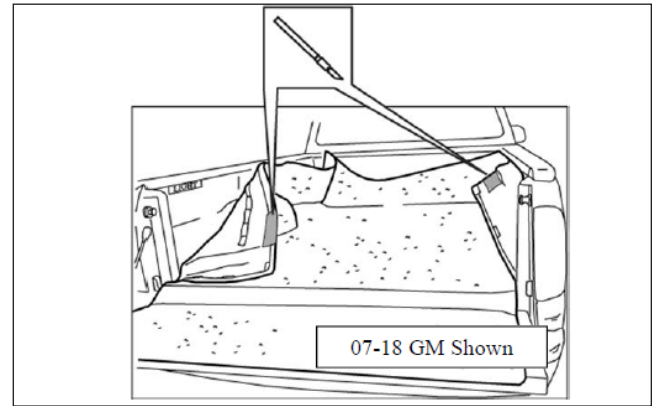
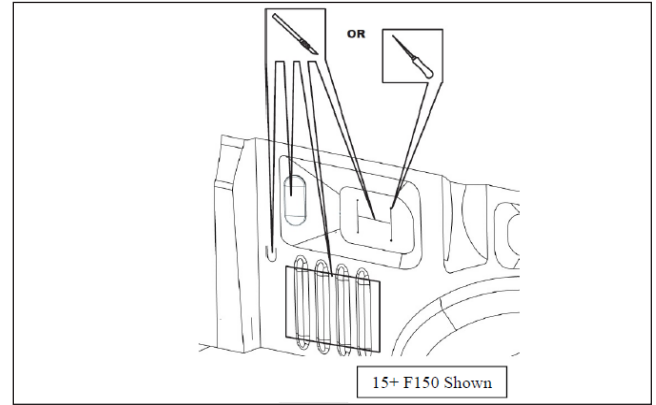
TIP: It is easiest to locate fastener holes with an awl after bed liner is positioned for best fit.

Be sure to re-torque tie down fasteners to the OEM specs.

8. Installing Bed Liner sidewalls

- (a) Rear vertical edge of bed liner should be positioned to match D-pillar surface. Start at front and working rearward begin removing film from fasteners bottom to top and from front to back. Firmly press the bed liner sidewall for 15 seconds to ensure adhesive attachment. Repeat for other side.

NOTE: If using the bed liner in conjunction with a bed extender, cut the slits (located on back of part) of the D-pillar area to allow access to attachment holes. The size and number of slits will vary depending on the application



Guardian Comfort Full Bed Liner

Guardian Comfort and Guardian Impact Bed & Tailgate Mat

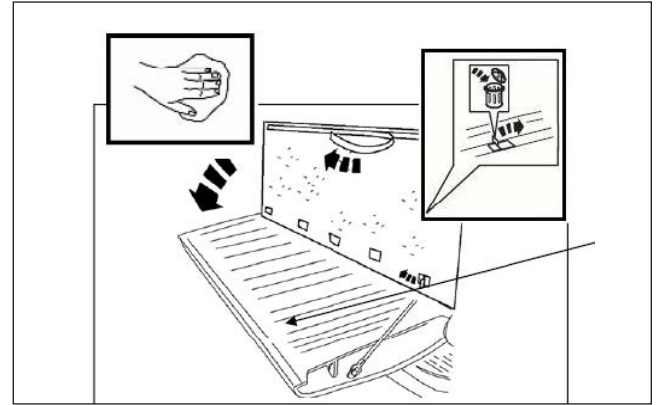
9. Installing Bed Liner tailgate

Rotate the bed liner up to access tailgate fasteners.

- (a) Clean attachment areas thoroughly with alcohol and allow to dry.
- (b) Apply adhesive promoter to plastic cap. (if applicable)
- (c) Remove the film and align the edge of the bed liner tailgate section to the top edge of the tailgate.

Do not adhere the hook fastener to the factory plastic tailgate cap unless a 4298 adhesive promoter pack is included in the hardware kit. Most models are designed to adhere to sheet metal just below plastic tailgate cap.

- (d) Roll the bed liner tailgate back in place.
- (e) Firmly press the bed liner tailgate for 15 seconds to ensure adhesive attachment.
- (f) After installation is complete, tuck bed liner material between the tailgate and truck bed.



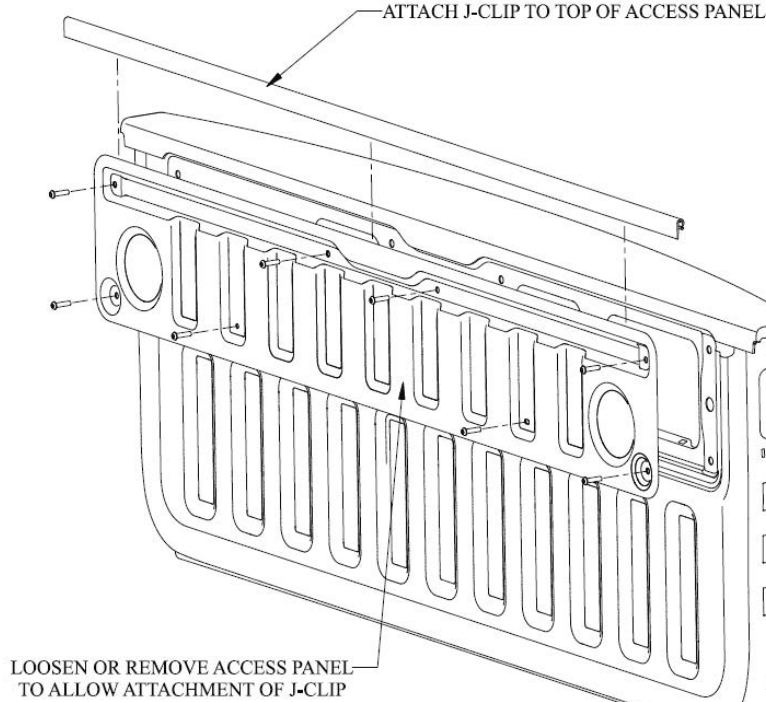
2019+ DODGE RAM TAILGATE J-CLIP INSTALLATION

1. Read all instructions before installing.
2. Loosen or remove the access panel on inner surface of the tailgate.
3. Snap J-Clip on to upper edge of access panel and center it along the length of the tailgate.
4. Re-attach and tighten access panel hardware.
5. Using a clean lint-free cloth, clean the attachment surface of J-Clip using isopropyl alcohol. If the cloths become visibly soiled, replace them with clean ones.

NOTE: THE ATTACHMENT SURFACE TEMPERATURE SHOULD BE 68° F OR HIGHER IN ORDER FOR THE ADHESIVE STRIPS TO ACHIEVE MAXIMUM ADHESION. ALSO, NEVER CONTAMINATE THE ADHESIVE BY TOUCHING IT WITH YOUR FINGERS.

6. Apply adhesive promoter to J-Clip.
7. Remove the film and align the edge of the bed liner tailgate section to the top edge of the tailgate.
8. Firmly press the bed liner tailgate for 15 seconds to ensure adhesive attachment.

Guardian Comfort Full Bed Liner Guardian Comfort and Guardian Impact Bed & Tailgate Mat



Care and Cleaning

- Wash only with mild soap & dry with a clean cloth.



The material that your product is made from can be recycled. Please also consider recycling the packaging that your product came in.

Congratulations!

We take the utmost pride in our products and want you to enjoy years of satisfaction from your investment. We have made every effort to ensure that your product is top quality in terms of fit, durability, finish and ease of installation.

www.huskyliners.com
Phone: 800-344-8759
Email: customerservice@huskyliners.com



GUARANTEED...FOR LIFE.