



Installation Instructions



6" Performance Suspension System

2005 – 2015 Toyota Tacoma 4WD

2005 – 2015 Toyota Tacoma 2WD PreRunner

FOR VSC AND TRACTION CONTROL EQUIPED MODELS.

NOTE: WILL NOT WORK ON TRD PRO MODELS

Fabtech Motorsports 4331 Eucalyptus Ave. Chino, CA 91710
Tech Line 909-597-7800 Fax 909-597-7185 Web www.fabtechmotorsports.com



**2005 - 2015 Toyota 4WD
2005 - 2015 Toyota 2WD PreRunner
FTS26026BK / FTS26007BK
FOR VSC AND TRACTION CONTROL EQUIPED MODELS.**

PARTS LIST

FTS26026BK Component Box 1			FTS26007BK Component Box 2		
Qty	Part #	Description	Qty	Part #	Description
2	FT70059BK	Impact Tube Bracket	4	FT1500U	U-Bolt
2	FT70066BK	Impact Strut	2	FT202	Add-a-Leaf
2	FT70123	Tie Rod End	1	FT70051BK	Front Crossmember
1	FT70151BK	Sway Bar Drop (Pass)	1	FT70052BK	Rear Crossmember
1	FT70152BK	Sway Bar Drop (Driver)	1	FT70053	Drv. Diff Mount
1	FTS70230D	Steering Knuckle Driver	1	FT70054	Pass. Diff Mount
1	FTS70230P	Steering Knuckle Pass	1	FT70056BK	Bump Stop Drop Drv
			1	FT70057BK	Bump Stop Drop Pass
	FT70157	Hardware Subassembly	1	FT70058BK	Skid Plate
Qty	Part #	Description	1	FT70069	Hardware Kit
1	FT70160	Hardware Kit	1	FT70070	Hardware Kit
8	37000005081	3/8" Washer	2	FT70073	Crsmbr Weld in Plate 05-06
2	37000005252	3/8" Split Lock Washer	2	FT70075	Carrier Bearing Drop
4	37160004181	3/8"-16 C-lock Nut	2	FT70098	Crsmbr Weld in Plate 2007 Models
2	37161251081	3/8"-16 x 1-1/4" Bolt	1	FT70122	Hdwr Sub-Assembly Kit
2	37162251881	3/8"-16 x 2-1/4" Button Head	2	FTBK3	Lift Block
2	37163001081	3/8"-16 x 3" Bolt			
2	50133501081	1/2"-13 x 3-1/2" Bolt			
4	50200003202	1/2"-20 Jam Nut		FT70122	Hdwr Sub-Assembly Kit
2	FT70105	Sway Bar End Link	Qty	Part #	Description
2	FT70061	Front Brake Line Bracket	2	BTM-10X130	10mm Center Pin
2	FT26026i	Instructions	1	FT1044	Bushing Kit
1	FT70063	Brake Line Bracket Driv	1	FT70014	Brake Line Bracket Rear Axle
1	FT70064	Brake Line Bracket Pass	1	FT70060	E-Brk Cable Bkt. @ Leaf Mid Drv.
2	FT70102	Sway Bar Misalignment	1	FT70062	Rear ABS Line Bracket
6	FT70159	Misalignment Short	1	FT70065	Rear Brake line Tab Sml Drv
4	FT95023	Male Heim 1/2" x 1/2"	2	FT70072	E-Brk Cable Bkt @ Leaf Hanger
2	FT133	Sleeve .750 x .510 x 1.840	1	FT70074	E-Brk Cable Bkt. @ Leaf Mid Pss
			1	FT90087	Bushing Kit
			1	FT916H	U-Bolt Hardware
	FTS26010BK	Coil Spacer Box	2	FTS88	Bump Stops
Qty	Part #	Description	2	NUT-HM-10	10mm Center Pin Nut
2	FT70055BK	Coil Spacer			
	"or"			FTS26064	REAR SHOCK EXT. BOX
	FTS26008	Dirt Logic Component Box	2	FT70213BK	REAR SHOCK EXTENSION
Qty	Part #	Description	1	FT70214	HARDWARE KIT
2	FTS82508	Dirt Logic Coil Over w/o Resi			



**6" 2005 - 2015 Toyota 4WD
2005 - 2015 Toyota 2WD PreRunner
FTS26026BK / FTS26007BK**

HARDWARE LIST

FT70069 Hardware Kit -			FT70070 Hardware Kit -		
Qua	Description	Location	Qua	Description	Location
2	3/4"-10 x 4 1/2" Hex Bolt	Front Crossmember	4	7/16"-14 x3 1/2" Hex Bolt	Impact Tube
2	3/4"-10 C-Lock		4	7/16"-16 C-Lock	
4	3/4" SAE Flat Washer		8	7/16" SAE Flat Washer	
2	9/16"-12 x 5" Hex Bolt	Rear Crossmember	2	1/2"-13 x 3" Hex Bolt	Impact Tube Bracket
2	9/16"-12 C-Lock		2	1/2"-13 C-Lock	
4	9/16" SAE Flat Washer		4	1/2" SAE Flat Washer	
2	5/16"-18 x 1 1/4" Hex Bolt	Diff Skid Plate	2	5/16"-18 x 1" Hex Bolt	Frt Brake Line Drop
2	5/16"-18 C-Lock		2	5/16"-18 C-Lock	
4	5/16" SAE Flat Washer		4	5/16" SAE Flat Washer	
1	1/2"-13 1 1/2" Hex Bolt	Diff Skid Plate	12	1/4"-20 x 3/4" Hex Bolt	ABS & Brake Line
1	1/2"-13 C-Lock		12	1/4" Split Washer	Clamps
2	1/2" SAE Flat Washer		12	1/4" SAE Washer	
2	1/2"-13 x 4" Hex Bolt	Diff Mounts	1	5/16"-18 x 1" Hex Bolt	Rear Brake Line
2	1/2"-13 C-Lock		1	5/16"-18 C-Lock	Bracket
4	1/2" SAE Flat Washer		2	5/16" SAE Flat Washer	
4	3/8"-16 x 1 1/4" Hex Bolt	Bump Stop Bracket	1	5/16"-18 x 1" Hex Bolt	Rear ABS Bracket
4	3/8"-16 C-Lock		1	5/16"-18 C-Lock	(top of diff)
8	3/8" SAE Flat Washer		2	5/16" SAE Flat Washer	
2	10mmx1.25x25mm Hex Bolt	Bump Stop Bracket	2	1/4"-20 x 1" Hex Bolt	E-Brake Drop
2	10mm Flat Washer		2	1/4"-20 C-Lock	Bracket (frt of leaf)
2	3/8"-16 Nyloc	Bump Stop	4	1/4" SAE Flat Washer	
2	3/8" SAE Flat Washer		4	1/4"-20 x 1" Hex Bolt	E-Brake Drop
4	3/8"-16 x 1 1/4" Hex Bolt	Sway Bar & Bracket	4	1/4"-20 C-Lock	Bracket (mid of leaf)
4	3/8"-16 C-Lock		8	1/4" SAE Flat Washer	
8	3/8" SAE Flat Washer		2	10mm- 1.25 x 50mm Bolt	Carrier Bearing Drop
6	3/8"-16 C-Lock	Coil Spacers	2	7/16" USS Flat Washer	Bracket
6	3/8" SAE Flat Washers		1	1/4"-20 x 1" Hex Bolt	Driver Rear Brake
8	1/8" Cotter Pin		1	1/4"-20 C-Lock	Line Bracket
2	Thread Locking Compound		2	1/4" SAE Flat Washers	
			7	Adel Clamp (FTCLAMP)	A.B.S. Lines

READ ALL INSTRUCTIONS THOROUGHLY FROM START TO FINISH BEFORE BEGINNING INSTALLATION! IF THESE INSTRUCTIONS ARE NOT PROPERLY FOLLOWED, SEVERE FRAME, DRIVELINE AND / OR SUSPENSION DAMAGE MAY RESULT.

NOTE: PRIOR TO THE INSTALLATION OF THIS SUSPENSION SYSTEM A FRONT END ALIGNMENT MUST BE PERFORMED AND RECORDED. DO NOT INSTALL THIS SYSTEM IF THE VEHICLE ALIGNMENT IS NOT WITHIN FACTORY SPECIFICATIONS. CHECK FOR FRAME AND SUSPENSION DAMAGE PRIOR TO INSTALLATION.

CHECK ALL PARTS INCLUDED IN THIS KIT TO THE PARTS LIST ABOVE BEFORE BEGINNING INSTALLATION OF THIS KIT. IF ANY PARTS ARE MISSING, CONTACT FABTECH AT 909-597-7800.

THE INSTALLATION OF THIS SUSPENSION SYSTEM SHOULD BE PERFORMED BY TWO PROFESSIONAL MECHANICS.

DO NOT ALTER THE FINISH OF THESE COMPONENTS, EXAMPLE- CHROMING, ZINC PLATING OR PAINTING. CHANGING THE FINISH CAN CAUSE STRUCTURAL FATIGUE OF COMPONENTS.

THIS SUSPENSION SYSTEM WILL NOT WORK ON TRUCKS EQUIPPED WITH ELECTRONIC CONTROLLED SHOCK ABSORBERS.

THIS INSTRUCTION SHEET HAS PHOTOS OF TWO AND FOUR WHEEL DRIVE TRUCKS. DEPENDING ON THE STEP, THE PHOTO WILL SHOW EITHER A TWO OR FOUR WHEEL DRIVE TRUCK.

IF INSTALLING THE OPTIONAL DIRT LOGIC COILOVER, RECORD THE RIDE HEIGHT OF THE VEHICLE SO THAT THE PROPER RIDE HEIGHT CAN BE DONE WHEN COMPLETED .

YOU MUST RUN A 17X8 RIM OR LARGER WITH A 4 5/8" BACK SPACING WITH THIS KIT FOR PROPER WHEEL CLEARANCE. 16" RIM WILL NOT FIT THE TRUCK ONCE THE KIT IS INSTALLED.

KIT DOES NOT FIT STANDARD CAB MODEL TRUCKS.

WELDING REQUIRED

NOTE: WILL NOT WORK ON TRD PRO MODELS.

TOOL LIST: (NOT INCLUDED)

**FLOOR JACK & JACK STANDS
ASSORTED METRIC AND S.A.E SOCKETS, & WRENCHES
LARGE C CLAMP OR C CLAMP VISE GRIPS
DIE GRINDER WITH CUTOFF WHEEL OR SAWZALL
TORQUE WRENCH
MIG WELDER**

FRONT SUSPENSION INSTRUCTIONS:

1. Disconnect the negative terminal on the battery. With the vehicle on level ground, set the emergency brake and block the rear tires. Jack up the front end of the truck and support the frame rails with jack stands. **NEVER WORK UNDER AN UNSUPPORTED VEHICLE!** Remove the front tires.
2. Working from both sides of the truck, locate and remove the factory skid plate and brackets. Discard skid plate and hardware, these will not be reinstalled on the truck. SEE PHOTO BELOW.



3. Remove factory mud flaps off front of the vehicle and discard.
4. Remove the nut from the tie rod ends. Disconnect the tie rod ends from the steering knuckle by striking the knuckle with a large hammer to dislodge the tie rod end. **Use care as to not hit the threads on the tie rod end with the hammer as you will damage them.** Save all hardware. SEE PHOTO BELOW.



5. Remove the sway bar end links from the factory steering knuckles and leave connected to the bar. Then remove the bar from the truck. Save the bar and end links with all hardware. SEE PHOTOS BELOW.

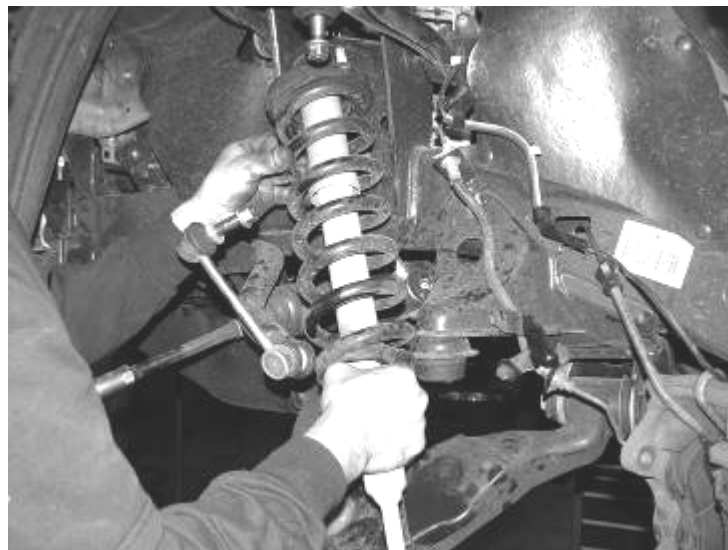


6. Remove the brake caliper from the steering knuckle and hang out of the way. **Do not allow the brake caliper to hang from brake line.** Remove the brake line brackets from the knuckle. Trucks equipped with ABS brakes, unbolt the ABS line and disconnect from steering knuckle.
7. Remove the brake rotor, save all hardware. Remove the hub cover, the cotter pin, and axle nut. Remove the four hub bolts and remove the hub with the backing plate from the knuckle and CV shaft. Save all components and hardware. **Do not remove the CV axles from the front differential.**
8. Support the lower A-Arm with a floor jack. Loosen the upper ball joint nut. Disconnect the upper ball joint from the upper control arm by striking the knuckle with a large hammer next to the ball joint to dislodge the ball joint. **Use care not to hit the ball joint when removing.** Remove and save factory castle nut.
9. Remove the castle nut and two bolts on each side connecting the lower ball joint assembly to the knuckle.

Save the Castle nut, as you will reuse it. Remove spindle assembly from truck. Remove remaining portion by striking with a large hammer next to the ball joint to dislodge. **Use care not to hit the ball joint when removing. SEE PHOTO BELOW.**



10. Remove the three upper nuts then the lower bolt from the shock assembly. Remove the shock assembly as one complete unit and save with the hardware if installing the spacer, discard if installing Dirt Logic coilovers. SEE PHOTOS BELOW.



11. Remove and save the factory lower control arms with the hardware.

12. Skip steps thirteen and fourteen for 2wd PreRunner model trucks.

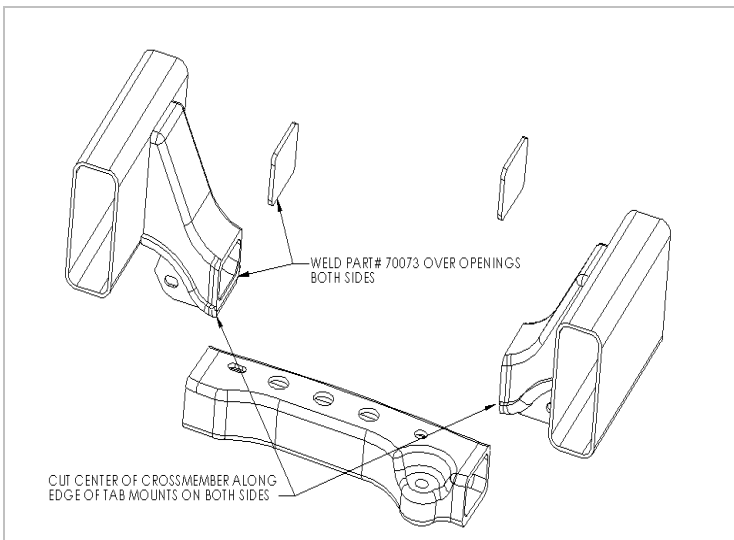
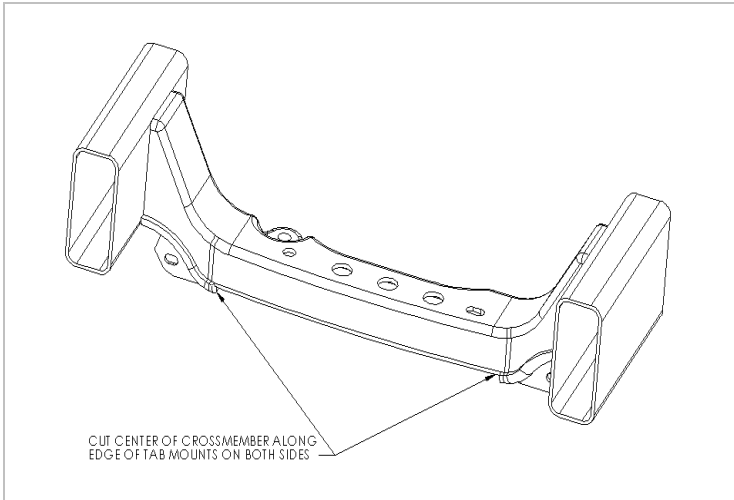
13. Disconnect the front drive shaft ONLY from the differential, do not disconnect from the transfer case. Save hardware. **Do not allow drive shaft to hang freely.**

14. Support the front differential with a transmission or floor jack. Disconnect all electrical, vacuum lines, and breather lines from the differential. Remove the rear differential nut and save as you **will** reuse it during assembly. Remove the two front differential bracket bolts from the frame. Discard the bolts, as you **will not** reuse them. **DO NOT SEPARATE THE C.V. AXLES FROM THE DIFFERENTIAL.** Remove the differential from the truck and set aside. **USE CARE WHEN REMOVING DIFFERENTIAL AS TO NOT DAMAGE THE C.V. Axels and 4WD VACUUM ACTUATOR ASSEMBLY.** SEE PHOTO BELOW.



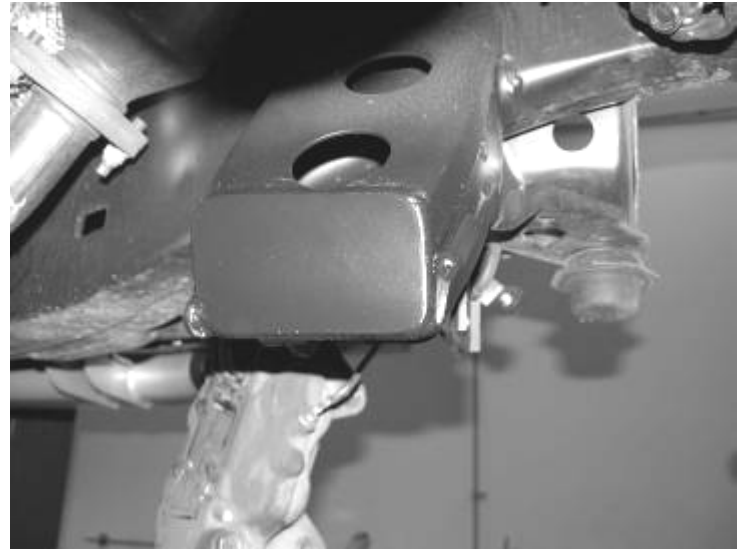
15. Locate the factory rear crossmember. Mark the crossmember 4 1/4" from center the cam pocket adjustment hole inward. **Test fit crossmember before you weld plates**

in. On the top of the crossmember, locate the bottom hole and measure down 1/4", draw a line straight across the top of the crossmember and connect to the first line that is on the back of the crossmember. On the bottom of the crossmember, draw another line forward from the first line just beside the weld for the control arm pocket. Take care to cut the crossmember straight up and down and to not cut into the control arm pocket itself or cut out the weld. You will use a Sawzall or Die Grinder with a cutoff wheel to make these cuts. Remove the rear crossmember section. Cut and discard. SEE DIAGRAMS AND PHOTOS BELOW AND ON LAST PAGE.





16. Locate **FT70073 (05-06 models) FT70098 (07-13 models)** Weld in plate. You will need to weld in these plates to cover the holes made by cutting out the original cross member, paint black. Clean area to bare metal weld in new plates. Let plate cool and paint with a corrosive resistant paint or under coating. SEE PHOTOS BELOW.



Skip step seventeen for 2wd PreRunner model trucks.

17. Locate the front differential and remove the factory front mounts. Discard the mounts and save the hardware. Locate FT70053 Driver Diff mount, FT70054 Pass Diff mount, and FT90087 Bushing and Sleeve Kit. Install the four bushings and the two larger I.D. sleeves into the new mounts. Using the factory hardware and some of the supplied thread-locking compound, mount the new diff mounts to the front differential. Torque the hardware to 75 ft. lbs. SEE PHOTO BELOW.



18. Locate the Fabtech front crossmember FT70051, with the supplied $\frac{3}{4}$ " x 4 1/2" bolts, nuts, and washers, attach the crossmember to the factory control arm pockets, leave loose at this time. **(ON TWO WHEEL DRIVE TRUCKS, INSTALL REAR CROSSMEMBER WITH THE SUPPLIED 9/16" x 5" HARDWARE AT THIS TIME)** SEE PHOTO BELOW.



**Skip steps nineteen - twenty-one on
2wd Pre-Runner model trucks.**

19. Install the differential up onto the front crossmember with the supplied $\frac{1}{2}$ " x 4" bolts and hardware. Support the differential with a transmission jack. Leave loose at this time. SEE PHOTOS BELOW.



20. Locate the Fabtech rear crossmember FT70052, with the supplied $\frac{9}{16}$ "x5 bolts, nuts, and washers install the crossmember to the factory control arm pockets. Leave loose at this time. Re-install the factory rear differential nut.
21. Locate the previously removed factory hardware for the front driveshaft and install with some of the supplied thread-locking compound on the bolts and torque to 50 ft lbs. Re-connect all electrical, vacuum lines, and breather lines back to the differential.

Continue installation for 2wd and 4wd

22. Install the factory lower control arms, using stock alignment bolts and hardware, leave loose. SEE PHOTO BELOW.



23. Locate skid plate FT70058 skid plate. Attach using the supplied hardware (front mount) $\frac{5}{16}$ "x1 $\frac{1}{4}$ " bolts, nuts, and washers (rear mount) $\frac{1}{2}$ "x 1 $\frac{1}{2}$ " bolt, nut, and washer. SEE PHOTO BELOW.

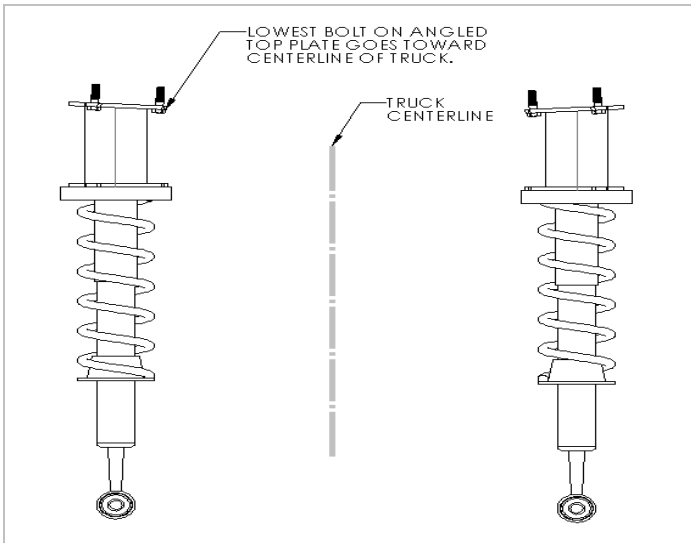


FOLLOW STEP TWENTY-FOUR FOR THE BASIC KIT INSTALLATION

OR

FOLLOW STEP TWENTY-FIVE FOR THE PERFORMANCE KIT INSTALLATION

24. Locate the factory shock assembly and hardware. Locate the FT70055 Coil Spacers and supplied 3/8" C-Lock nuts and Washers. Position the spacer onto the top of the shock assembly so that the shortest side of the spacer is angled in towards the shock bucket on the vehicle and attach to the shock with the factory hardware. This must also align with the bottom mounting point of the shock assembly to mount into the lower control arm. Insert the shock assembly up into the bucket and attach with the supplied 3/8" hardware. Leave loose at this time. Place the bottom of the shock into the lower shock mount and attach with the factory hardware. Torque the top 3/8" hardware to 30ft. lbs., factory hardware to 30 ft. lbs., and the lower bolt to 100 ft. Lbs. SEE PHOTO AND DIAGRAM BELOW AND ON LAST PAGE.



25. Locate and install FTS26008 Coil Over shocks as described in the instructions enclosed with the coilovers. SEE PHOTO BELOW.



26. Locate the factory steering knuckles and remove the hubs, backing plates, inner seal, and the dust covers. Locate the new Fabtech FTS70230D and FTS70230P steering knuckles. Install the factory hubs, backing plates, factory inner seal, and the dust covers with the factory hardware and supplied thread-locking compound. **NOTE: 2wd models have a dust shield that must be taken out of the stock knuckle and installed in the new Fabtech knuckle. SEE PHOTOS BELOW.**



photo shows removal of hub with the backing plate already removed

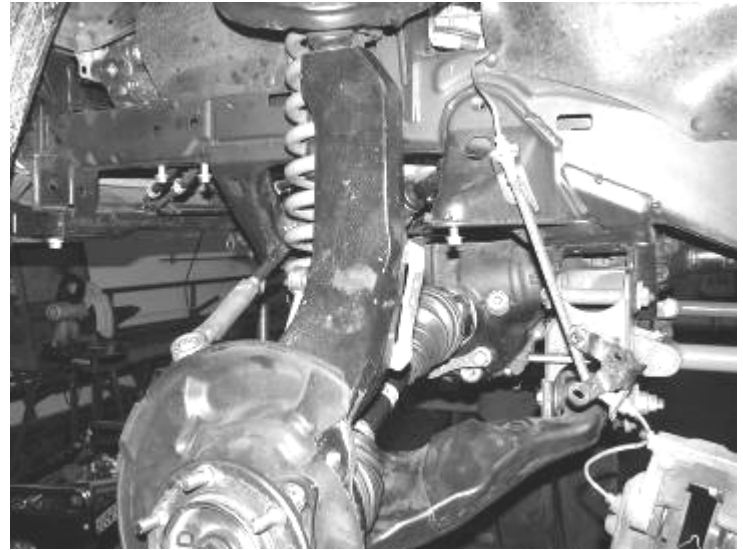


Photo above is a completed 4wd knuckle and hub.



Photos above show removal and installation of the 2wd dust shield.

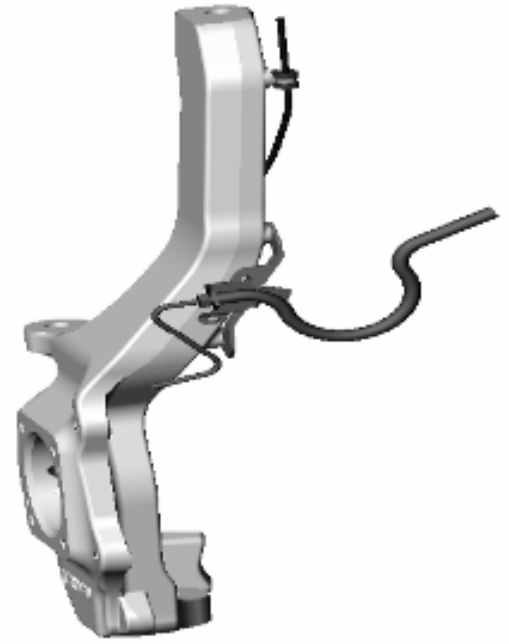
27. Support the lower arm with a floor jack and install the new assembled steering knuckle to the lower ball joint with the factory castle nut (torque to 95 ft-lbs) and supplied cotter pin. Raise the jack enough to locate the knuckle up into the upper ball joint and attach with the factory castle nut (torque to 95 ft-lbs and supplied new cotter pin. SEE PHOTO BELOW.



28. Torque factory control arm pocket bolts to 100 ft lbs., the 3/4" front crossmember bolts to 110 ft. lbs., the 9/16" rear crossmember bolts to 100 ft. lbs., the 1/2" differential mounts to 75 ft. lbs., the 1/2" skid plate bolt to 75 ft. lbs., the 5/16" skid plate bolts to 20 ft. lbs.
29. Locate the factory brake line tab next to upper control arm. Unbolt the bracket from the frame save hardware and bracket. You will need to carefully pull the hard brake line down 4". Locate FT70061 brake line drop bracket and attach the bracket to the frame with the factory hardware in the upside down J formation. Attach factory bracket to the new bracket using the supplied 5/16" x 1" bolt, nut, and washers. SEE PHOTO BELOW.

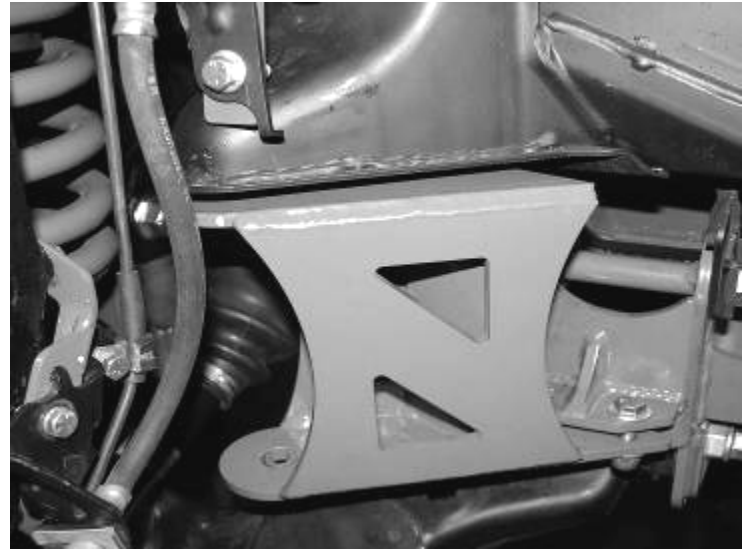
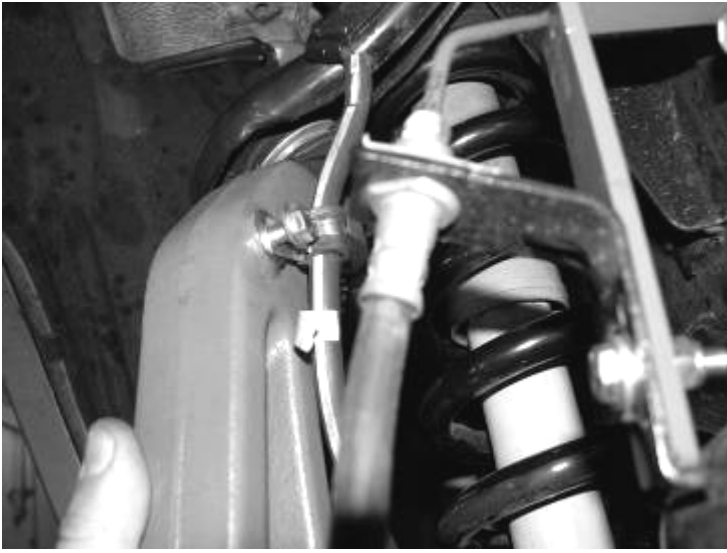


30. Locate the FT70063 & FT70064 (drv. / pass.) spindle brake line brackets. Attach to the Fabtech knuckle using the supplied 1/4" x 3/4" bolts, washers, and split washers. Attach the factory bracket to the new brake line bracket using the supplied 1/4" x 3/4" bolt, washer, & split washer. SEE PHOTOS AND DIAGRAM BELOW AND ON THE LAST PAGE.



31. Install brake rotors & brake calipers with the factory hardware and thread lock compound. Route the ABS onto backside of the steering knuckle. To do this you must loosen the clips that hold the ABS line in place. There should be enough slack just inside the wheel well to pull the line down for the factory sensor to bolt into the new Fabtech steering Knuckle. Using the supplied adel clamps and the 1/4" x 3/4" bolts, washers, & split washers, reinstall the factory ABS Sensor into the Fabtech Knuckle. Now attach the new FT70123 tie rod ends with the factory castle nut and supplied cotter pin. (Torque the tie rod ends to 70 ft. lbs.) SEE PHOTOS BELOW.

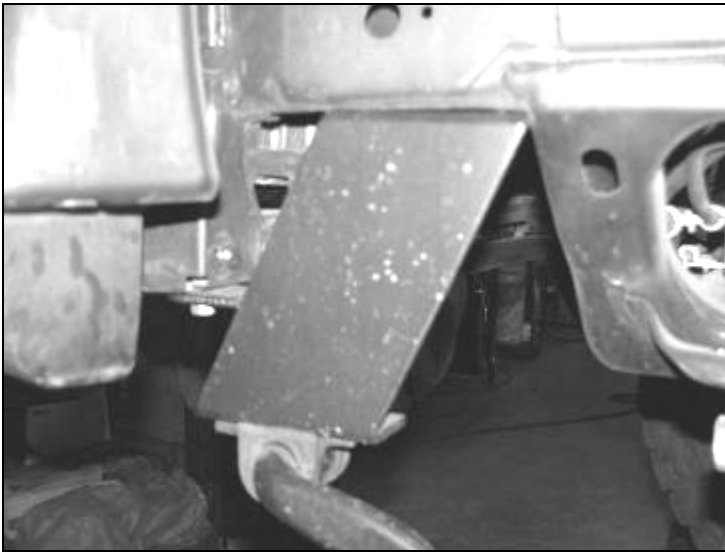




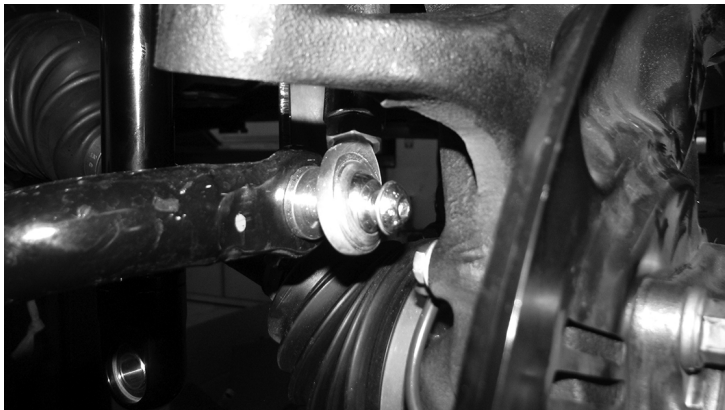
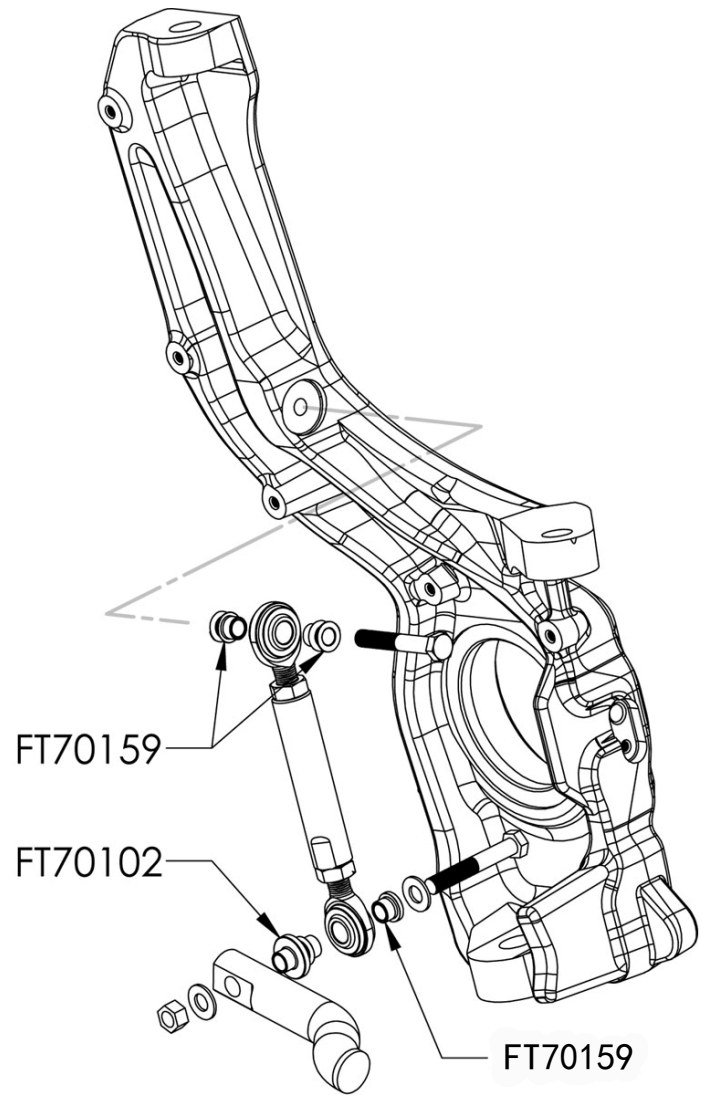
Take note on position of the adel clamps so that line is in the center of the spindle.

32. Remove factory bump stop and discard. Locate FT70056 (drv.) & 70057 (pass.) bumpstop drop bracket. Attach the top of the bracket to the factory bump stop position using the supplied 10mm x 30mm bolt and washer. Attach the two bottom holes of the bracket to the rear Fabtech crossmember, using the supplied 3/8" x 1 1/4" bolts, nuts, & washers. Now locate the supplied FTS88 Bump Stop, attach to the new bump stop bracket using the supplied 3/8" nut, & washer. SEE PHOTOS BELOW.

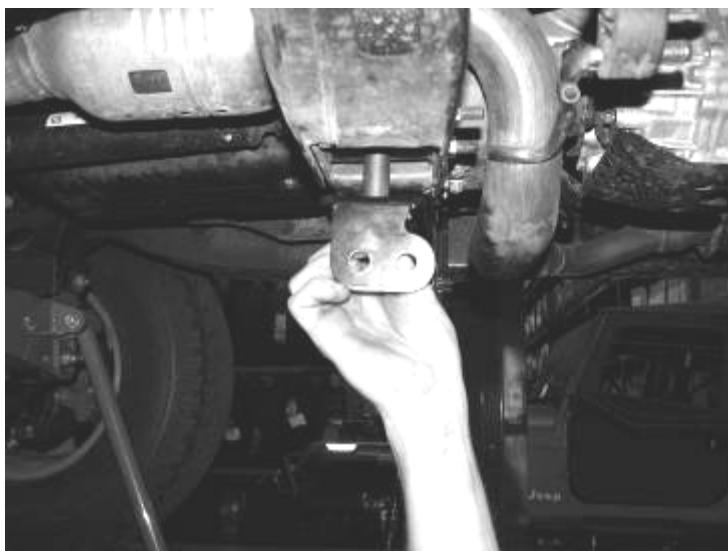
33. Locate FT70152BK Driver Sway Bar Drop Bracket, FT70151BK Pass. Sway Bar Drop Bracket and the factory sway bar, with hardware. Also locate the supplied 3/8" x 1 1/4" hardware. Position the new drop bracket on the frame so the sway bar will be mounted forward of its factory position and attach with the factory hardware.
34. Install the sway bar to the new drop brackets with the supplied 3/8" hardware. **(The sway bar will need to be mounted upside down from the factory position).** SEE PHOTO BELOW.



35. Locate FT70105 Sway Bar End Link, FT95023 1/2" Heims, and supplied 1/2" Jam Nuts. Thread the jam nuts all the way onto the heims. Insert an assembled heim into each end of the end links and leave loose. Locate FT70102 (sway bar hat) and FT70159 (short misalignment) and the supplied 3/8" x 2 1/4" hardware. Insert the hat and short misalignment into the heim on one end and attach to the sway bar. Locate FT70159 misalignments and the supplied 3/8" x 3" hardware. Insert the misalignments into the upper heim and attach it to the Fabtech steering knuckle. Torque the 3/8" hardware to 30 ft. lbs. SEE DRAWING AND PHOTOS BELOW.



36. Locate the FT70059 Impact Strut mounts, FT133 sleeve, & ½”x 3” bolts, nuts, and washers. Install the impact strut mounts to the factory transmission crossmember with the **(EARS FORWARD ON 2WD OR EARS REARWARD ON 4WD)** with the sleeve on top of the bracket. Torque to 75ft. lbs. SEE PHOTOS BELOW.



BRACKET MOUNTED WITH EARS REARWARD ON 4WD TRUCK

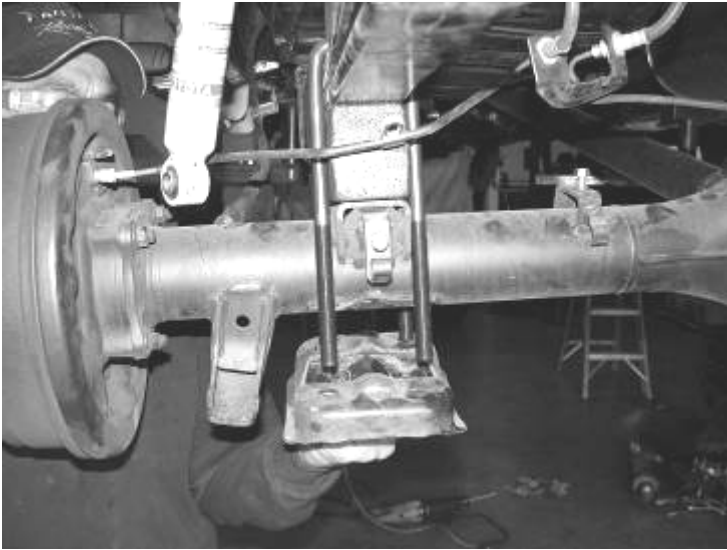
37. Locate FT70066 Impact strut tubes and FT 70071 Bushing kit. Install the bushings into the strut tubes. Attach the strut tubes to the rear Fabtech crossmember then to the strut brackets on the transmission crossmember with the supplied 7/16” x 3 ½” bolts and hardware. Torque to 50 ft. lbs. SEE PHOTO BELOW.



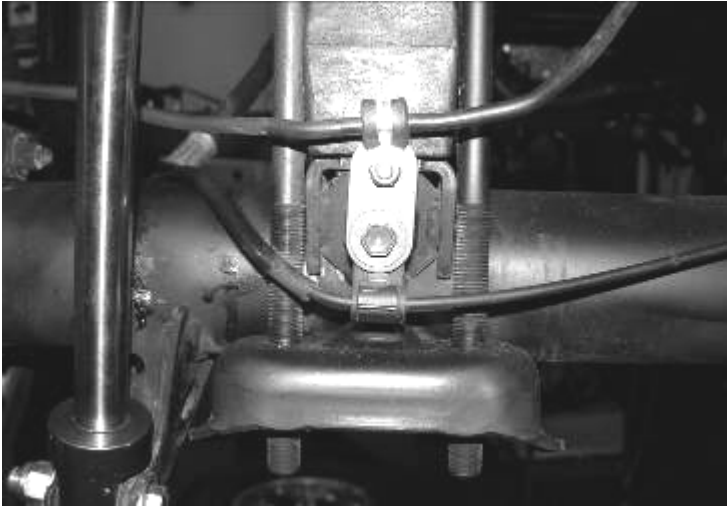
38. Reinstall the wheels and tires and torque to the wheel manufactures specs. Turn wheels left to right to check for proper clearance between brake lines / ABS Lines to tires and wheels with vehicle hanging and on the ground. Reroute lines as required for clearance.

Rear Suspension Instructions:

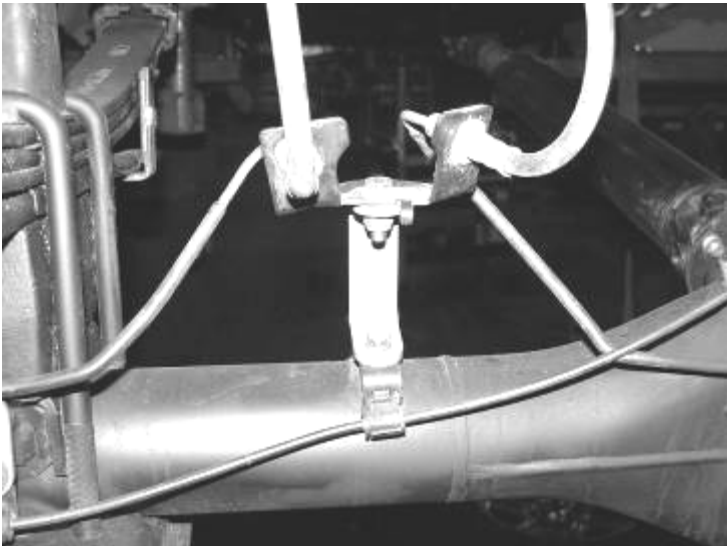
39. Jack up the rear end of the vehicle and support the frame rails with jack stands. Supporting the rear differential remove and discard the rear shocks, save hardware.
40. Disconnect all brake line brackets and remove all ABS lines from plastic clips from the rear axel. Disconnect ABS line bracket from the center of the axel. Next disconnect ABS lines from backing plate. Now disconnect E-Brake line brackets off at the mid leaf and front pivot points. Save all hardware and brackets.
41. Supporting the rear differential remove and discard the factory u- bolts and blocks. Lower the axle down slowly. Use care not to over extend the brake hose.
42. Clamp the leaf spring in the middle of the spring and remove the center bolt. Separate the springs and install the provided add a leaf with the new center bolt, the spring pack should form a pyramid pattern, from smallest on the bottom to the longest on top. The factory flat overload leaf will remain on the bottom of the pack. Clamp the spring and tighten the center bolt as not to leave a gap between the springs. Cut the thread of the bolt smooth with the nut. The nut should be on the top of the leaf spring pack.
43. Locate and install the rear lift blocks with the provided short center pin on the bottom of the block, to the axle. The short end of the block should face to the front of the vehicle. (The Block Is Marked Front.) Using the provided U bolts, nuts, and washers align axle, lift blocks, stock bump stop, and springs and torque to U Bolts to 90lbs. SEE PHOTO BELOW.



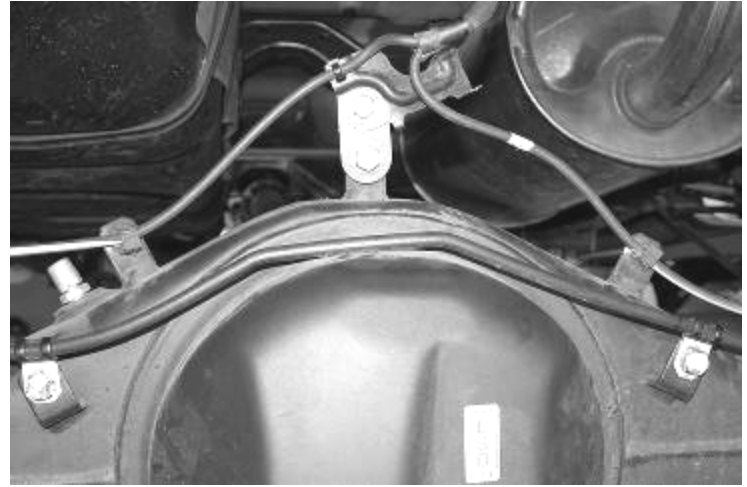
44. Locate FT70065 rear brake line small tab driver side. Attach to the factory perch using the factory hardware. Attach the factory bracket using the supplied 1/4" x 1" bolt, nut, & washers. SEE PHOTO BELOW.



45. Locate FT70014 brake line bracket rear axle. Attach to the factory perch using the factory hardware. Attach the factory bracket to the new drop bracket using the supplied 5/16" x 1 bolt, nut, & washer. SEE PHOTO BELOW.



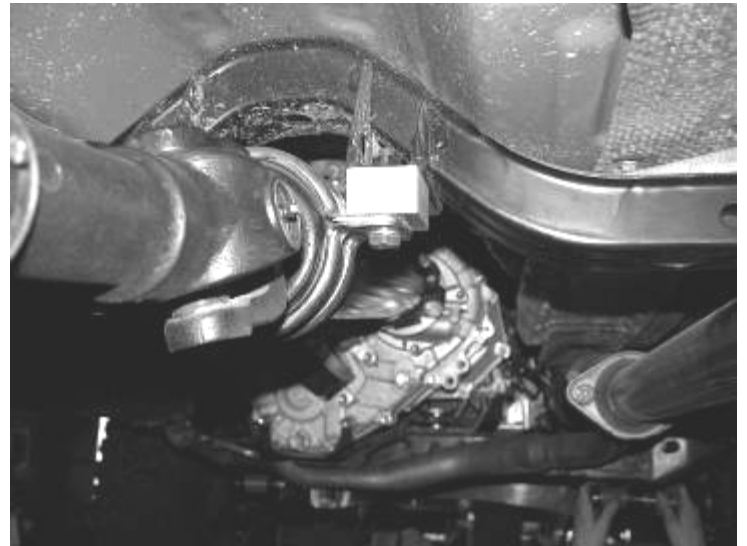
46. Locate FT70062 ABS line bracket. Attach it to the factory ABS Perch using the factory hardware. Attach the factory ABS bracket to the new bracket using the supplied 5/16" x 1" bolt, nut, & washers. SEE PHOTO BELOW.

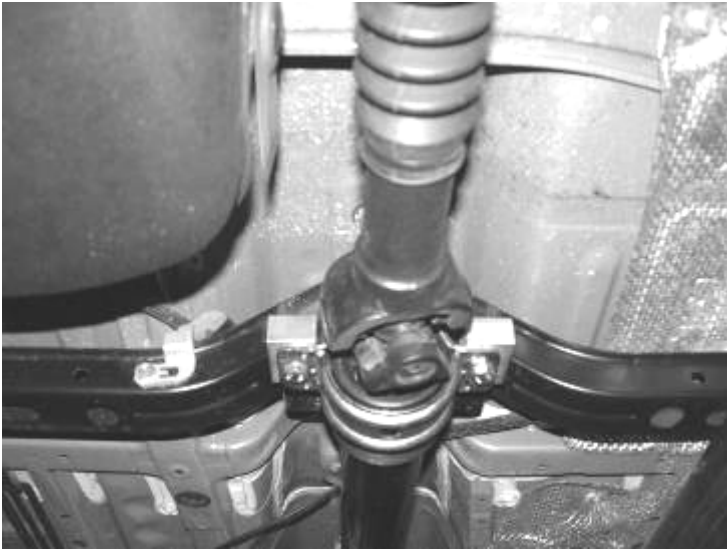


re-install A.B.S. line back into plastic clips

**STEP FOURTY-FIVE IS FOR TRUCKS WITH TWO
PIECE REAR DRIVESHAFTS ONLY**

47. Locate FT70075 Carrier Bearing Drop Spacer and the supplied 10mm x 50mm bolts and washers. Remove the factory hardware from the carrier bearing mount and discard. Insert the drop spacer between the carrier bearing and the factory mount, with the new 10mm bolts and washers. Use the supplied thread locking compound and torque to 40 ft. lbs. SEE PHOTO BELOW.

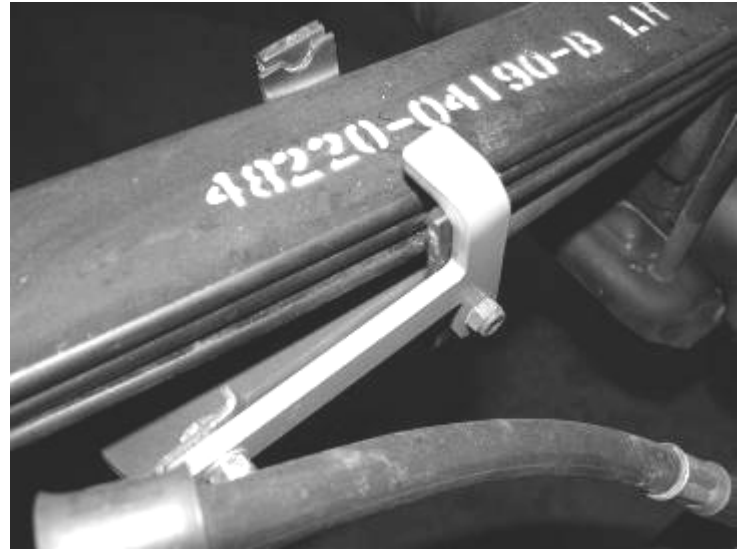




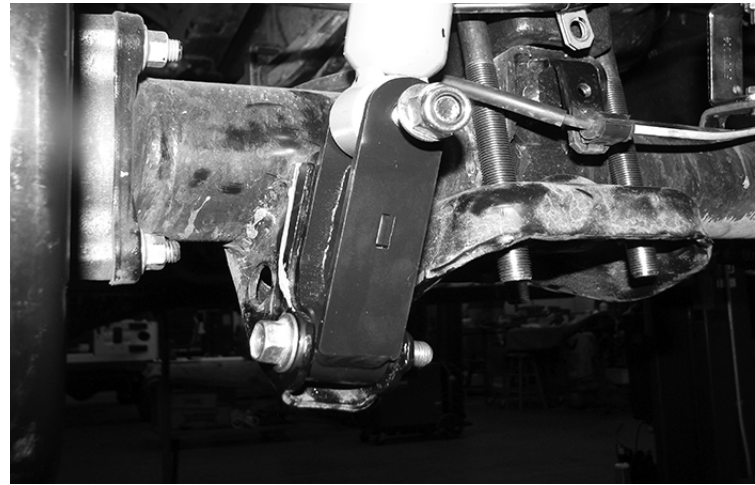
48. Locate the emergency brake cables and hardware previously disconnected from the leaf spring. Attach FT70072 at the front leaf spring pivot points using the factory hardware; attach the factory bracket to the new drop bracket using supplied 5/16" x 1" nuts, bolts, & washers. SEE PHOTO BELOW.



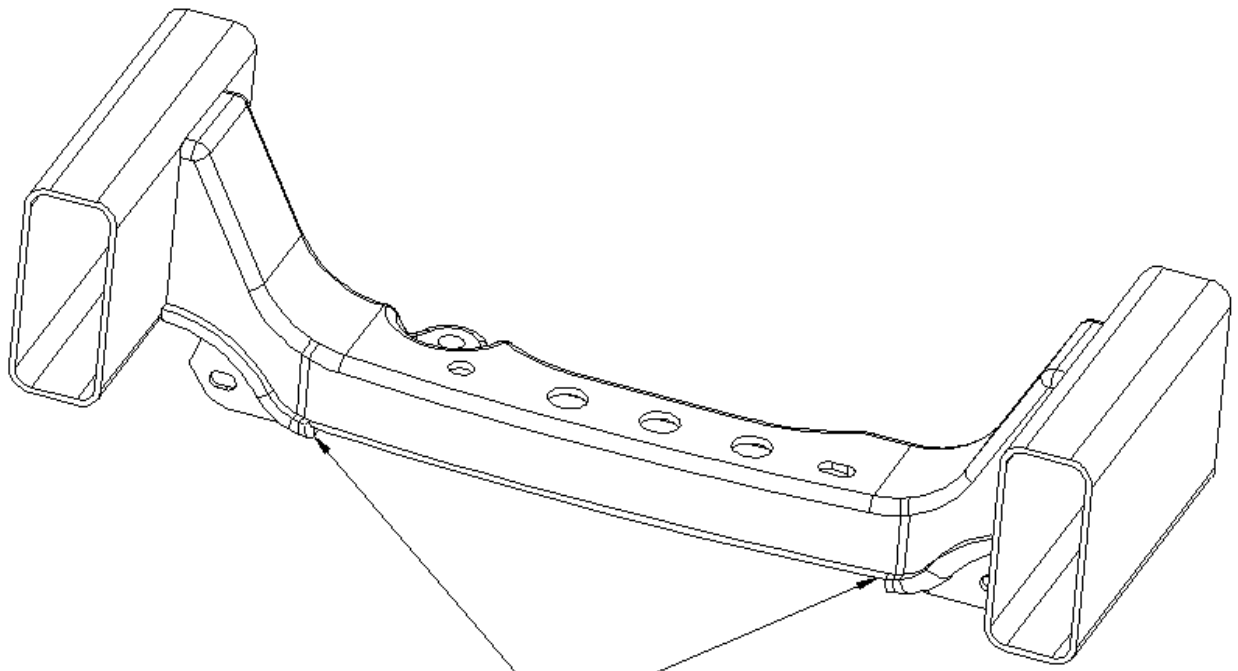
49. Now attach FT70060 leaf mid point bracket (drv.) and FT70074 (pass.) using the supplied 1/4" x 1" nuts, bolts, & washers. **Make sure the bolt runs from the inside out towards the backing plate.** SEE PHOTO BELOW.



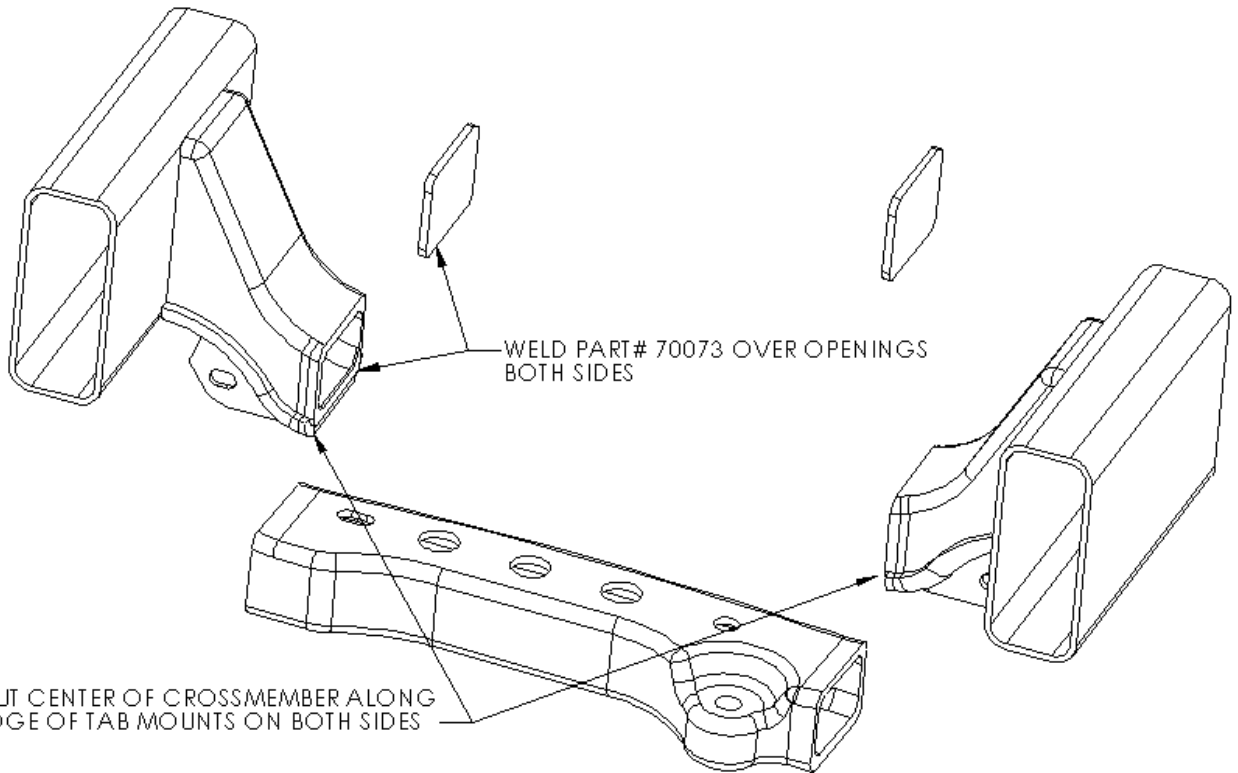
50. Install the FT70213BK (rear shock ext) using the factory hardware and the M12 hardware supplied. SEE PHOTO BELOW



51. Recheck all bolts for proper torque. Recheck brake hoses and lines for proper clearances.
52. Check the fluid in the front differential. Fill if needed with factory specification differential oil to factory capacity.
53. Install tires and wheels and torque lug nuts to wheel manufacturers specifications. Turn front tires left to right and check for appropriate tire clearance. Note- some vehicles may require trimming of the front plastic bumper valance for tire clearance.
54. Check front-end alignment and set to factory specifications. Re-adjust headlights.

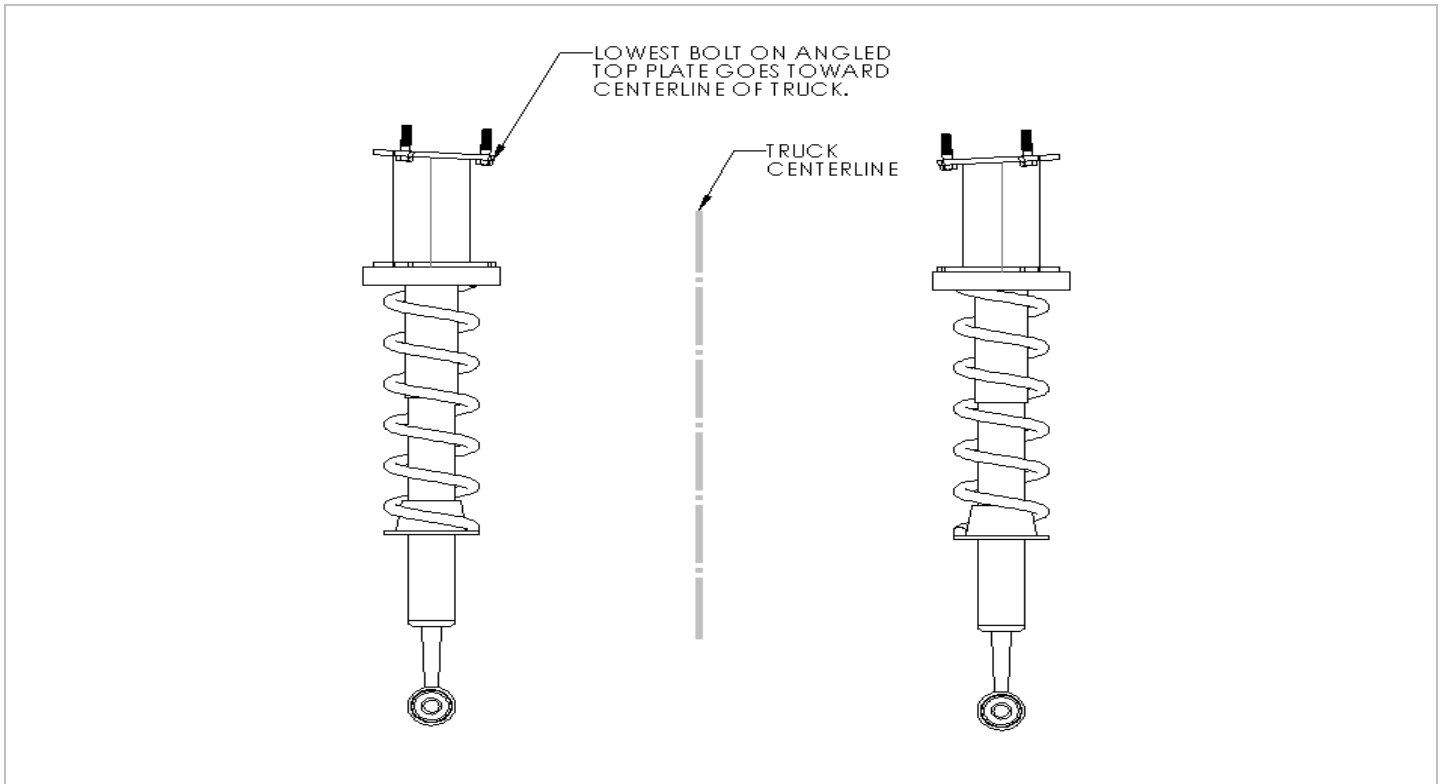


CUT CENTER OF CROSSMEMBER ALONG
EDGE OF TAB MOUNTS ON BOTH SIDES



WELD PART# 70073 OVER OPENINGS
BOTH SIDES

CUT CENTER OF CROSSMEMBER ALONG
EDGE OF TAB MOUNTS ON BOTH SIDES



RETORQUE ALL NUTS, BOLTS AND LUGS AFTER 50 MILES AND PERIODICALLY THEREAFTER

For technical assistance call: 909-597-7800

Product Warranty and Warnings-

Fabtech provides a Limited Lifetime Warranty to the original retail purchaser who owns the vehicle, on which the product was originally installed, for defects in workmanship and materials.

The Limited Lifetime Warranty excludes the following Fabtech items; bushings, bump stops, ball joints, tie rod ends, limiting straps, cross shafts, heim joints. These parts are subject to wear and are not considered defective when worn. They are warranted for 60 days from the date of purchase for defects in workmanship.

Take apart shocks are considered a serviceable shock with a one-year warranty on leakage only. Service seal kits are available separately for future maintenance. All other shocks are covered under our Limited Lifetime Warranty.

Fabtech does not warrant any product for finish, alterations, modifications and/or installation contrary to Fabtech's instructions. Alterations to the finish of the parts including but not limited to painting, powdercoating, plating and/or welding will void all warranties. Some finish damage may occur to parts during shipping which is considered normal and is not covered under warranty.

Fabtech products are not designed nor intended to be installed on vehicles used in race applications or for racing purposes or for similar activities. (A "RACE" is defined as any contest between two or more vehicles, or any contest of one or more vehicle against the clock, whether or not such contest is for a prize). This warranty does not include coverage for police or taxi vehicles, race vehicles, or vehicles used for government or commercial purposes. Also excluded from this warranty are sales outside of the United States of America.

Installation of most suspension products will raise the center of gravity of the vehicle and will cause the vehicle to handle differently than stock. It may increase the vehicle's susceptibility to a rollover, on road and off road, at all speeds. Extreme care should be taken to operate the vehicle safely at all times to prevent rollover or loss of control resulting in serious injury or death. Fabtech front end Desert Guards may impair the deployment or operation of vehicles equipped with supplemental restraining systems/air bag systems and should not be installed if the vehicle is equipped as so.

Fabtech makes every effort to ensure suspension product compatibility with all vehicles listed in the catalog, but due to unknown auto manufacturers production changes and/or inconsistencies by the auto manufacturer, Fabtech cannot be responsible for 100% compatibility, including the fitment of tire and wheel sizes listed. The Tire and Wheel sizes listed in Fabtech's catalog are only a guideline for street driving with noted fender trimming. Fabtech is not responsible for damages to the vehicle's body or tires.

Fabtech's obligation under this warranty is limited to the repair or replacement, at Fabtech option, of the defective product only. All costs of removal, installation or re-installation, freight charges, incidental or consequential damages are expressly excluded from this warranty. Fabtech is not responsible for damages and/or warranty of other vehicle parts related or non related to the installed Fabtech product. This warranty is expressly in lieu of all other warranties expressed or implied. This warranty shall not apply to any product that has been subject to accident, negligence, alteration, abuse or misuse as determined by Fabtech.

Fabtech suspension components must be installed as a complete system including shocks as shown in our current catalog. All warranties will become void if Fabtech parts are combined and/or substituted with other aftermarket suspension products. Combination and/or substitution of other aftermarket suspension parts may cause premature wear and/or product failure resulting in an accident causing injury or death. Fabtech does not warrant products not manufactured by Fabtech.

Installation of Fabtech product may void the vehicles factory warranty; it is the consumer's responsibility to check with their local vehicle's dealer for warranty disposition before the installation of the product.

It is the responsibility of the distributor and/or the retailer to review all warranties and warnings of Fabtech products with the consumer prior to purchase.

Fabtech reserves the right to supercede, discontinue, change the design, finish, part number and, or application of parts when deemed necessary without written notice. Fabtech is not responsible for misprints or typographical errors within the catalog or price sheet.



	FTS810372	2.25 Dirt Logic Stainless Steel Shock
1	FTS810372	DLSS SHOCK
1	FT810372i	INSTRUCTIONS
1	FT86009	HARDWARE & BUSHING KIT 9
1	FT86010	HARDWARE & BUSHING KIT 10
1	FT89900	STICKER

Thank you for purchasing Dirt Logic shocks, the finest off-road shock in the industry. Each unit is built to exacting standards and is properly tuned specifically for your vehicle. Dirt Logic shocks are designed and built to both beautify and upgrade your suspension system.

How To Care For Your Dirt Logic Shocks

Dirt Logic shocks have been designed as a take apart, serviceable, race style unit. That means, just like a race shock, it will need to be maintained and periodically rebuilt. The tight tolerances of this provide the exceptional ride and performance you are paying for but do require maintenance which is normal in a take apart shock like a Dirt Logic.

Externally, the shock should be kept clean at all times and kept free of dirt, road salt or other corrosive elements. The unit should be routinely washed with a pH balanced cleaner to keep the finish looking new. Do not use any abrasive or aggressive cleaners or degreasers as it will harm the finish for life including the aluminum anodizing.

Internally, the shock has high performance seals that allow the shock to cycle at very high rates and provide exceptional damping in aggressive off-road conditions. These seals are a wearable item and may need to be replaced periodically to keep the shock functioning correctly. Our in house Shock Lab is equipped to handle these needs when necessary.

Caution – Read Before Installing

Stop – Call FABTECH customer service if any component of this product is missing. Do not return it to the place of purchase! For technical assistance call: 909-597-7800

This Dirt Logic Shock is shipped pressurized with Nitrogen. Do not remove tamper cap or warranty will be void.

If this shock is equipped with a reservoir hose, do not loosen or remove the hose or warranty will be void.

If this shock is equipped with a coil, be aware that the coil has some amount of preload from the factory and should not be removed. Removal of the coil will void the warranty.

If this shock product needs to be returned for any reason, it must be returned in its original packaging or warranty will be void.

Dirt Logic Shocks come with a one year warranty from the original date of purchase for defects in material or workmanship.

A spanner wrench can be purchased for future adjustment. (FTS89905 for 4.0 and FTS98008 for 2.5)

Should you have any questions regarding your Dirt Logic Shocks, please feel free to contact us.

Installation Instructions

Install the bushing kit onto the 2.25" Dirt Logic Shock included in the packaging. Now install the shock by attaching the top cap first and the rod end second. Take care to compress the shock when installing the rod end as the shock is under pressure and will require leverage and strength to accomplish this task. This would be best done with the vehicle on a hoist with the suspension at its most extended length. Once the shock is installed tighten the bolts until there is a light squeeze on the urethane bushings.

(Note some 2.25" shocks will require extra components to be installed prior to shock installation)

- Product Warranty and Warnings -

Fabtech provides a Limited Lifetime Warranty to the original retail purchaser who owns the vehicle, on which the product was originally installed, for defects in workmanship and materials.

The Limited Lifetime Warranty excludes the following Fabtech items; bushings, bump stops, ball joints, tie rod ends, limiting straps, cross shafts, heim joints and driveshafts. These parts are subject to wear and are not considered defective when worn. They are warranted for 60 days from the date of purchase for defects in workmanship.

Dirt Logic and Performance Coilover take apart shocks are considered a serviceable shock with a one year warranty on leakage only. Service seal kits are available separately for future maintenance. All other shocks are covered under our Limited Lifetime Warranty.

Fabtech does not warrant any product for finish, alterations, modifications and/or installation contrary to Fabtech's instructions. Alterations to the finish of the parts including but not limited to painting, powder coating, plating and/or welding will void all warranties. Some finish damage may occur to parts during shipping, which is considered normal and is not covered under warranty.

Fabtech products are not designed nor intended to be installed on vehicles used in race applications or for racing purposes or for similar activities. (A "RACE" is defined as any contest between two or more vehicles, or any contest of one or more vehicle against the clock, whether or not such contest is for a prize). This warranty does not include coverage for police or taxi vehicles, race vehicles, or vehicles used for government or commercial purposes. Also excluded from this warranty are sales outside of the United States of America.

Installation of most suspension products will raise the center of gravity of the vehicle and will cause the vehicle to handle differently than stock. It may increase the vehicle's susceptibility to a rollover, on road and off road, at all speeds. Extreme care should be taken to operate the vehicle safely at all times to prevent rollover or loss of control resulting in serious injury or death. Fabtech front end Desert Guards may impair the deployment or operation of vehicles equipped with supplemental restraining systems/air bag systems and should not be installed if the vehicle is equipped as so.

Fabtech makes every effort to ensure suspension product compatibility with all vehicles listed on the website, but due to unknown auto manufacturer's production changes and/or inconsistencies by the auto manufacturer, Fabtech cannot be responsible for 100% compatibility, including the fitment of tire and wheel sizes listed. The Tire and Wheel sizes listed in Fabtech's website are only a guideline for street driving with noted fender trimming. Fabtech is not responsible for damages to the vehicle's body or tires. Fabtech is not responsible for premature wear of factory components due to the installation of oversized tires and wheels.

Fabtech's obligation under this warranty is limited to the repair or replacement, at Fabtech option, of the defective product only. All costs of removal, installation or re-installation, freight charges, incidental or consequential damages are expressly excluded from this warranty. Fabtech is not responsible for damages and/or warranty of other vehicle parts related or non related to the installed Fabtech product. This warranty is expressly in lieu of all other warranties expressed or implied. This warranty shall not apply to any product that has been subject to accident, negligence, alteration, abuse or misuse as determined by Fabtech.

Fabtech suspension components must be installed as a complete system including shocks as shown on our website. All warranties will become void if Fabtech parts are combined and/or substituted with other aftermarket suspension products. Combination and/or substitution of other aftermarket suspension parts may cause premature wear and/or product failure resulting in an accident causing injury or death. Fabtech does not warrant products not manufactured by Fabtech.

Depending on the condition of the factory suspension components retained after the installation of a Fabtech suspension not all vehicles may have the same ride stance front to rear as described in the website. The blue color of suspension components shown in all Fabtech photographs are for display purposes only. Majority of all Fabtech components will be black specifically where noted with part numbers ending in BK.

Installation of Fabtech product may void the vehicles factory warranty; it is the consumer's responsibility to check with their local vehicle's dealer for warranty disposition before the installation of the product. Some state laws may prohibit modification of suspension to a vehicle in whole or in part. It is the responsibility of the installer and consumer to consult local laws prior to the installation of any Fabtech suspension product to comply with such written laws.

It is the responsibility of the distributor and/or the retailer to review all warranties and warnings of Fabtech products with the consumer prior to purchase.

Fabtech reserves the right to super cede, discontinue, change the design, finish, part number and/or application of parts when deemed necessary without written notice. Fabtech is not responsible for misprints or typographical errors within the website or price sheet. For the most recent Product Warranty and Warnings visit our website www.fabtechmotorsports.com.