




# Installation and Operation Instructions ED9215 WARNING & WORKLIGHT COMBINATION

**IMPORTANT!** Read all instructions before installing and using. Installer: This manual must be delivered to the end user.



**WARNING!**

Failure to install or use this product according to manufacturer's recommendations may result in property damage, serious injury, and/or death to those you are seeking to protect!

 **Do not install and/or operate this safety product unless you have read and understood the safety information contained in this manual.**

1. Proper installation combined with operator training in the use, care, and maintenance of emergency warning devices are essential to ensure the safety of emergency personnel and the public.
2. Emergency warning devices often require high electrical voltages and/or currents. Exercise caution when working with live electrical connections.
3. This product must be properly grounded. Inadequate grounding and/or shorting of electrical connections can cause high current arcing, which can cause personal injury and/or severe vehicle damage, including fire.
4. Proper placement and installation is vital to the performance of this warning device. Install this product so that output performance of the system is maximized and the controls are placed within convenient reach of the operator so that they can operate the system without losing eye contact with the roadway.
5. It is the responsibility of the vehicle operator to ensure daily that all features of this product work correctly. In use, the vehicle operator should ensure the projection of the warning signal is not blocked by vehicle components (i.e., open trunks or compartment doors), people, vehicles or other obstructions.
6. The use of this or any other warning device does not ensure all drivers can or will observe or react to an emergency warning signal. Never take the right-of-way for granted. It is the vehicle operator's responsibility to be sure they can proceed safely before entering an intersection, drive against traffic, respond at a high rate of speed, or walk on or around traffic lanes.
7. This equipment is intended for use by authorized personnel only. The user is responsible for understanding and obeying all laws regarding emergency warning devices. Therefore, the user should check all applicable city, state, and federal laws and regulations. The manufacturer assumes no liability for any loss resulting from the use of this warning device.

## Specifications:

|                       |  |
|-----------------------|--|
| <b>Size:</b>          | 2.75"W x 13.75"H x 3.0"D   |
| <b>Weight:</b>        | 4.12 lbs.  |
| <b>Input Voltage:</b> | 12-24 VDC  |
| <b>Input Current:</b> | 3.26 A max. @ 12 VDC (Nominal)   |
| <b>Flash Rate:</b>    | See flash pattern chart  |
| <b>Output Power:</b>  | CENTER WORKLIGHTS PLUS WHITE WARNING LIGHTS - 19W<br>CENTER WORKLIGHTS - 42W |
| <b>Temp. Range:</b>   | -40°C to 60°C<br>-40°F to 140°F  |

## Installation and Mounting:

Carefully remove the unit from its packaging. Examine the unit for transit damage. If damage is found, return the product to your local dealer for warranty replacement. Do not use damaged or broken parts. Determine a mounting location with the least amount of curvature as possible. Also, ensure there is a clear line of sight for oncoming traffic.

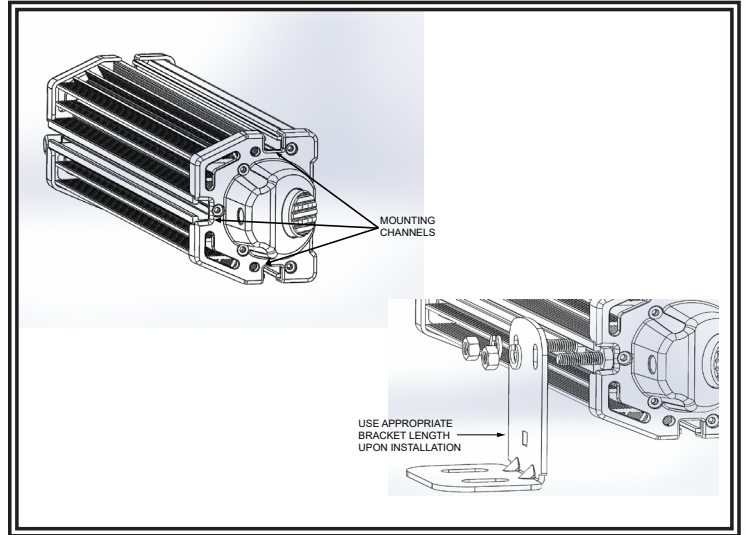


### CAUTION!

When drilling into any vehicle surface, make sure that the area is free from any electrical wires, fuel lines, vehicle upholstery, etc. that could be damaged.

## Surface Mounting:

1. Insert the hex head bolts into the channel that best fits the position that the product will be mounted and loosely assemble the bracket onto the light as shown in Figure 1.
2. Using the slots on the brackets as templates, mark the holes for location. Drill holes in the mounting surface, matching the holes in the bracket.
3. Secure the light in place with user supplied hardware.

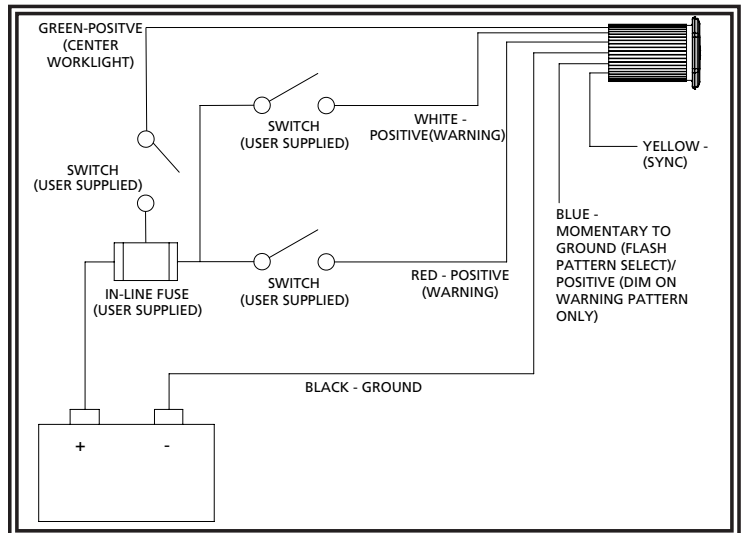


**Figure 1**

## Wiring Instructions:

The ED9215 warning and worklight combinations are self flashing. All wiring should be stranded and a minimum of 20 AWG. The positive line must have an in-line 10 Amp slow-blow fuse for each directional as shown in FIGURE 2. Isolate the yellow and blue wires when not in use.

**IMPORTANT! This unit is a safety device and it must be connected to its own separate, fused power point to assure its continued operation should any other electrical accessory fail.**



**Figure 2**

## Flash Pattern Selection:

### APPLY BLUE TO BLACK WIRE:

- Hold for less than 1 second for the next flash pattern.
- Hold between 1-3 seconds to go to the previous flash pattern.

- Hold between 3-5 seconds for factory default.
- Hold for more than 5 seconds for flash pattern #69.

## Synchronization:

This device is capable of syncing up to 8 compatible ECCO products by following the steps below. This device can be synchronized within flash pattern 1 to 63.

1. Set the desired flash pattern on each unit individually. It is also strongly recommended that the same style of flash pattern be used on all units to produce the most effective warning pattern. NOTE: Phases 1 and 2 for each style of flash pattern in the table denote the relative timing between units connected in a synchronizing installation. To operate simultaneously, each unit must be set to the same phase (1 + 1 or 2 + 2); to operate alternately, units must be set to have the opposite phase (1 + 2 or 2 + 1).
2. Connect the yellow sync wires together and check that the units are flashing in a synchronized manner as expected. If a pattern on one unit appears incorrect, the blue pattern select wire can be used to cycle forward or backward on that individual unit until the correct pattern is selected. NOTE: This will only change the pattern in the one unit and will not affect the other units connected to the yellow sync wire.

| Flash Pattern Chart<br>Tabla de patrones de destello<br>Tableau des effets clignotants |  |  |      |          |         |         |         |         |         |         |         |          |         |         |       |
|--|--|--|------|----------|---------|---------|---------|---------|---------|---------|---------|----------|---------|---------|-------|
| PATTERN  | MODE 1 (Red Line)<br>MODE 2 (White Line)<br>MODE 3 (Red Line & White Line) | Pattern  | SYNC | SAE J595 |         |         |         | CA T13  |         |         |         | SAE J845 |         |         |       |
|  |  |  |      | RED      | AMBER   | WHITE   | RED     | AMBER   | WHITE   | RED     | AMBER   | WHITE    | RED     | AMBER   | WHITE |
| 1  | 1  | SAE/T13 SAE/T13 Single 75FPM Ph1 Color 1 Synchronous Color 3   | yes  | Class 1  | Class 1 | Class 1 | Class 1 | Class B | Class B | Class B | Class 1 | Class 1  | Class 1 | Class 1 |       |
|  | 2  | SAE/T13 SAE/T13 Single 75FPM Ph2 Color 1 Synchronous Color 3   | yes  | Class 1  | Class 1 | Class 1 | Class 1 | Class B | Class B | Class B | Class 1 | Class 1  | Class 1 | Class 1 |       |
|  | 3  | SAE/T13 Single 75FPM Ph1 Color 1 Alternately Color 4   | yes  | N/C      | N/C     | N/C     | N/C     | N/C     | N/C     | N/C     | N/C     | N/C      | N/C     | N/C     |       |
|  | 4  | SAE/T13 Single 75FPM Ph2 Color 1 Alternately Color 4   | yes  | N/C      | N/C     | N/C     | N/C     | N/C     | N/C     | N/C     | N/C     | N/C      | N/C     | N/C     |       |
|  | 5  | SAE/T13 Single 75FPM Ph1 Color 2 Synchronous Color 4   | yes  | Class 1  | Class 1 | Class 1 | Class 1 | Class B | Class B | Class B | Class 1 | Class 1  | Class 1 | Class 1 |       |
|  | 6  | SAE/T13 Single 75FPM Ph2 Color 2 Synchronous Color 4   | yes  | Class 1  | Class 1 | Class 1 | Class 1 | Class B | Class B | Class B | Class 1 | Class 1  | Class 1 | Class 1 |       |
|  | 7  | SAE/T13 Single 75FPM Ph1 Color 1 Synchronous Color 3 Alternately (Color 2 Synchronous Color 4)       | yes  | N/C      | N/C     | N/C     | N/C     | N/C     | N/C     | N/C     | N/C     | N/C      | N/C     | N/C     |       |
|  | 8  | SAE/T13 Single 75FPM Ph2 Color 1 Synchronous Color 3 Alternately (Color 2 Synchronous Color 4)       | yes  | N/C      | N/C     | N/C     | N/C     | N/C     | N/C     | N/C     | N/C     | N/C      | N/C     | N/C     |       |
|  | 9  | SAE/T13 Single 75FPM (Color 1 Alternately Color 2) Alternately (Color 3 Alternately Color 4)         | yes  | N/C      | N/C     | N/C     | N/C     | N/C     | N/C     | N/C     | N/C     | N/C      | N/C     | N/C     |       |
| 2  | 10   | Single 375FPMFPM Ph1 Color 1 Synchronous Color 3   | yes  | N/C      | N/C     | N/C     | N/C     | N/C     | N/C     | N/C     | N/C     | N/C      | N/C     | N/C     |       |
|  | 11   | Single 375FPMFPM Ph2 Color 1 Synchronous Color 3   | yes  | N/C      | N/C     | N/C     | N/C     | N/C     | N/C     | N/C     | N/C     | N/C      | N/C     | N/C     |       |
|  | 12   | Single 375FPMFPM Ph1 Color 1 Alternately Color 4   | yes  | N/C      | N/C     | N/C     | N/C     | N/C     | N/C     | N/C     | N/C     | N/C      | N/C     | N/C     |       |
|  | 13   | Single 375FPMFPM Ph2 Color 1 Alternately Color 4   | yes  | N/C      | N/C     | N/C     | N/C     | N/C     | N/C     | N/C     | N/C     | N/C      | N/C     | N/C     |       |
|  | 14   | Single 375FPMFPM Ph1 Color 2 Synchronous Color 4   | yes  | N/C      | N/C     | N/C     | N/C     | N/C     | N/C     | N/C     | N/C     | N/C      | N/C     | N/C     |       |
|  | 15   | Single 375FPMFPM Ph2 Color 2 Synchronous Color 4   | yes  | N/C      | N/C     | N/C     | N/C     | N/C     | N/C     | N/C     | N/C     | N/C      | N/C     | N/C     |       |
|  | 16   | Single 375FPMFPM Ph1 (Color 1 Synchronous Color 3) Alternately (Color 2 Synchronous Color 4)         | yes  | N/C      | N/C     | N/C     | N/C     | N/C     | N/C     | N/C     | N/C     | N/C      | N/C     | N/C     |       |
|  | 17   | Single 375FPMFPM Ph2 (Color 1 Synchronous Color 3) Alternately (Color 2 Synchronous Color 4)         | yes  | N/C      | N/C     | N/C     | N/C     | N/C     | N/C     | N/C     | N/C     | N/C      | N/C     | N/C     |       |
|  | 18   | Single 375FPMFPM (Color 1 Alternately Color 2) Alternately (Color 3 Alternately Color 4)             | yes  | N/C      | N/C     | N/C     | N/C     | N/C     | N/C     | N/C     | N/C     | N/C      | N/C     | N/C     |       |
| 3  | 19   | SAE/T13 Double 75FPM Ph1 Color 1 Synchronous Color 3   | yes  | Class 1  | Class 1 | Class 1 | Class 1 | N/C     | N/C     | N/C     | Class 1 | Class 1  | Class 1 | Class 1 |       |
|  | 20   | SAE/T13 Double 75FPM Ph2 Color 1 Synchronous Color 3   | yes  | Class 1  | Class 1 | Class 1 | Class 1 | N/C     | N/C     | N/C     | Class 1 | Class 1  | Class 1 | Class 1 |       |
|  | 21   | SAE/T13 Double 75FPM Ph1 Color 1 Alternately Color 4   | yes  | N/C      | N/C     | N/C     | N/C     | N/C     | N/C     | N/C     | N/C     | N/C      | N/C     | N/C     |       |
|  | 22   | SAE/T13 Double 75FPM Ph2 Color 1 Alternately Color 4   | yes  | N/C      | N/C     | N/C     | N/C     | N/C     | N/C     | N/C     | N/C     | N/C      | N/C     | N/C     |       |
|  | 23   | SAE/T13 Double 75FPM Ph1 Color 2 Synchronous Color 4   | yes  | Class 1  | Class 1 | Class 1 | Class 1 | N/C     | N/C     | N/C     | Class 1 | Class 1  | Class 1 | Class 1 |       |
|  | 24   | SAE/T13 Double 75FPM Ph2 Color 2 Synchronous Color 4   | yes  | Class 1  | Class 1 | Class 1 | Class 1 | N/C     | N/C     | N/C     | Class 1 | Class 1  | Class 1 | Class 1 |       |
|  | 25   | SAE/T13 Double 75FPM Ph1 (Color 1 Synchronous Color 3) Alternately (Color 2 Synchronous Color 4)     | yes  | N/C      | N/C     | N/C     | N/C     | N/C     | N/C     | N/C     | N/C     | N/C      | N/C     | N/C     |       |
|  | 26   | SAE/T13 Double 75FPM Ph2 (Color 1 Synchronous Color 3) Alternately (Color 2 Synchronous Color 4)     | yes  | N/C      | N/C     | N/C     | N/C     | N/C     | N/C     | N/C     | N/C     | N/C      | N/C     | N/C     |       |
|  | 27   | SAE/T13 Double 75FPM (Color 1 Alternately Color 2) Alternately (Color 3 Alternately Color 4)         | yes  | N/C      | N/C     | N/C     | N/C     | N/C     | N/C     | N/C     | N/C     | N/C      | N/C     | N/C     |       |
| 4  | 28   | ECER65/SAE Double 120FPM Ph1 Color 1 Synchronous Color 3   | yes  | Class 1  | Class 1 | Class 1 | Class 1 | N/C     | N/C     | N/C     | Class 1 | Class 1  | Class 1 | Class 1 |       |
|  | 29   | ECER65/SAE Double 120FPM Ph2 Color 1 Synchronous Color 3   | yes  | Class 1  | Class 1 | Class 1 | Class 1 | N/C     | N/C     | N/C     | Class 1 | Class 1  | Class 1 | Class 1 |       |
|  | 30   | ECER65/SAE Double 120FPM Ph1 Color 1 Alternately Color 4   | yes  | N/C      | N/C     | N/C     | N/C     | N/C     | N/C     | N/C     | N/C     | N/C      | N/C     | N/C     |       |
|  | 31   | ECER65/SAE Double 120FPM Ph2 Color 1 Alternately Color 4   | yes  | N/C      | N/C     | N/C     | N/C     | N/C     | N/C     | N/C     | N/C     | N/C      | N/C     | N/C     |       |
|  | 32   | ECER65/SAE Double 120FPM Ph1 Color 2 Synchronous Color 4   | yes  | Class 1  | Class 1 | Class 1 | Class 1 | N/C     | N/C     | N/C     | Class 1 | Class 1  | Class 1 | Class 1 |       |
|  | 33   | ECER65/SAE Double 120FPM Ph2 Color 2 Synchronous Color 4   | yes  | Class 1  | Class 1 | Class 1 | Class 1 | N/C     | N/C     | N/C     | Class 1 | Class 1  | Class 1 | Class 1 |       |
|  | 34   | ECER65/SAE Double 120FPM Ph1 (Color 1 Synchronous Color 3) Alternately (Color 2 Synchronous Color 4) | yes  | N/C      | N/C     | N/C     | N/C     | N/C     | N/C     | N/C     | N/C     | N/C      | N/C     | N/C     |       |
|  | 35   | ECER65/SAE Double 120FPM Ph2 (Color 1 Synchronous Color 3) Alternately (Color 2 Synchronous Color 4) | yes  | N/C      | N/C     | N/C     | N/C     | N/C     | N/C     | N/C     | N/C     | N/C      | N/C     | N/C     |       |
|  | 36   | ECER65/SAE Double 120FPM (Color 1 Alternately Color 2) Alternately (Color 3 Alternately Color 4)     | yes  | N/C      | N/C     | N/C     | N/C     | N/C     | N/C     | N/C     | N/C     | N/C      | N/C     | N/C     |       |
| 5  | 37   | SAE/T13 Triple 75FPM Ph1 Color 1 Synchronous Color 3   | yes  | Class 1  | Class 1 | Class 1 | Class 1 | N/C     | N/C     | N/C     | Class 1 | Class 1  | Class 1 | Class 2 |       |
|  | 38   | SAE/T13 Triple 75FPM Ph2 Color 1 Synchronous Color 3   | yes  | Class 1  | Class 1 | Class 1 | Class 1 | N/C     | N/C     | N/C     | Class 1 | Class 1  | Class 1 | Class 2 |       |
|  | 39   | SAE/T13 Triple 75FPM Ph1 Color 1 Alternately Color 4   | yes  | N/C      | N/C     | N/C     | N/C     | N/C     | N/C     | N/C     | N/C     | N/C      | N/C     | N/C     |       |
|  | 40   | SAE/T13 Triple 75FPM Ph2 Color 1 Alternately Color 4   | yes  | N/C      | N/C     | N/C     | N/C     | N/C     | N/C     | N/C     | N/C     | N/C      | N/C     | N/C     |       |
|  | 41   | SAE/T13 Triple 75FPM Ph1 Color 2 Synchronous Color 4   | yes  | Class 1  | Class 1 | Class 1 | Class 1 | N/C     | N/C     | N/C     | Class 1 | Class 1  | Class 1 | Class 2 |       |
|  | 42   | SAE/T13 Triple 75FPM Ph2 Color 2 Synchronous Color 4   | yes  | Class 1  | Class 1 | Class 1 | Class 1 | N/C     | N/C     | N/C     | Class 1 | Class 1  | Class 1 | Class 2 |       |
|  | 43   | SAE/T13 Triple 75FPM Ph1 (Color 1 Synchronous Color 3) Alternately (Color 2 Synchronous Color 4)     | yes  | N/C      | N/C     | N/C     | N/C     | N/C     | N/C     | N/C     | N/C     | N/C      | N/C     | N/C     |       |
|  | 44   | SAE/T13 Triple 75FPM Ph2 (Color 1 Synchronous Color 3) Alternately (Color 2 Synchronous Color 4)     | yes  | N/C      | N/C     | N/C     | N/C     | N/C     | N/C     | N/C     | N/C     | N/C      | N/C     | N/C     |       |
|  | 45   | SAE/T13 Triple 75FPM (Color 1 Alternately Color 2) Alternately (Color 3 Alternately Color 4)         | yes  | N/C      | N/C     | N/C     | N/C     | N/C     | N/C     | N/C     | N/C     | N/C      | N/C     | N/C     |       |
| 6  | 46   | SAE/T13 Quad 75FPM Ph1 Color 1 Synchronous Color 3   | yes  | Class 1  | Class 1 | Class 1 | Class 1 | N/C     | N/C     | N/C     | Class 2 | Class 2  | Class 2 | Class 2 |       |
|  | 47   | SAE/T13 Quad 75FPM Ph2 Color 1 Synchronous Color 3   | yes  | Class 1  | Class 1 | Class 1 | Class 1 | N/C     | N/C     | N/C     | Class 2 | Class 2  | Class 2 | Class 2 |       |
|  | 48   | SAE/T13 Quad 75FPM Ph1 Color 1 Alternately Color 4   | yes  | N/C      | N/C     | N/C     | N/C     | N/C     | N/C     | N/C     | N/C     | N/C      | N/C     | N/C     |       |
|  | 49   | SAE/T13 Quad 75FPM Ph2 Color 1 Alternately Color 4   | yes  | N/C      | N/C     | N/C     | N/C     | N/C     | N/C     | N/C     | N/C     | N/C      | N/C     | N/C     |       |
|  | 50   | SAE/T13 Quad 75FPM Ph1 Color 2 Synchronous Color 4   | yes  | Class 1  | Class 1 | Class 1 | Class 1 | N/C     | N/C     | N/C     | Class 2 | Class 2  | Class 2 | Class 2 |       |
|  | 51   | SAE/T13 Quad 75FPM Ph2 Color 2 Synchronous Color 4   | yes  | Class 1  | Class 1 | Class 1 | Class 1 | N/C     | N/C     | N/C     | Class 2 | Class 2  | Class 2 | Class 2 |       |
|  | 52 - Default   | SAE/T13 Quad 75FPM Ph1 (Color 1 Synchronous Color 3) Alternately (Color 2 Synchronous Color 4)       | yes  | N/C      | N/C     | N/C     | N/C     | N/C     | N/C     | N/C     | N/C     | N/C      | N/C     | N/C     |       |
|  | 53   | SAE/T13 Quad 75FPM Ph2 (Color 1 Synchronous Color 3) Alternately (Color 2 Synchronous Color 4)       | yes  | N/C      | N/C     | N/C     | N/C     | N/C     | N/C     | N/C     | N/C     | N/C      | N/C     | N/C     |       |
|  | 54   | SAE/T13 Quad 75FPM (Color 1 Alternately Color 2) Alternately (Color 3 Alternately Color 4)           | yes  | N/C      | N/C     | N/C     | N/C     | N/C     | N/C     | N/C     | N/C     | N/C      | N/C     | N/C     |       |
| 7  | 55   | ECER65/SAE Quad 120FPM Ph1 Color 1 Synchronous Color 3   | yes  | Class 1  | Class 1 | Class 1 | Class 1 | N/C     | N/C     | N/C     | Class 2 | Class 2  | Class 2 | Class 2 |       |
|  | 56   | ECER65/SAE Quad 120FPM Ph2 Color 1 Synchronous Color 3   | yes  | Class 1  | Class 1 | Class 1 | Class 1 | N/C     | N/C     | N/C     | Class 2 | Class 2  | Class 2 | Class 2 |       |
|  | 57   | ECER65/SAE Quad 120FPM Ph1 Color 1 Alternately Color 4   | yes  | N/C      | N/C     | N/C     | N/C     | N/C     | N/C     | N/C     | N/C     | N/C      | N/C     | N/C     |       |
|  | 58   | ECER65/SAE Quad 120FPM Ph2 Color 1 Alternately Color 4   | yes  | N/C      | N/C     | N/C     | N/C     | N/C     | N/C     | N/C     | N/C     | N/C      | N/C     | N/C     |       |
|  | 59   | ECER65/SAE Quad 120FPM Ph1 Color 2 Synchronous Color 4   | yes  | Class 1  | Class 1 | Class 1 | Class 1 | N/C     | N/C     | N/C     | Class 2 | Class 2  | Class 2 | Class 2 |       |
|  | 60   | ECER65/SAE Quad 120FPM Ph2 Color 2 Synchronous Color 4   | yes  | Class 1  | Class 1 | Class 1 | Class 1 | N/C     | N/C     | N/C     | Class 2 | Class 2  | Class 2 | Class 2 |       |
|  | 61   | ECER65/SAE Quad 120FPM Ph1 (Color 1 Synchronous Color 3) Alternately (Color 2 Synchronous Color 4)   | yes  | N/C      | N/C     | N/C     | N/C     | N/C     | N/C     | N/C     | N/C     | N/C      | N/C     | N/C     |       |
|  | 62   | ECER65/SAE Quad 120FPM Ph2 (Color 1 Synchronous Color 3) Alternately (Color 2 Synchronous Color 4)   | yes  | N/C      | N/C     | N/C     | N/C     | N/C     | N/C     | N/C     | N/C     | N/C      | N/C     | N/C     |       |
|  | 63   | ECER65/SAE Quad 120FPM (Color 1 Alternately Color 2) Alternately (Color 3 Alternately Color 4)       | yes  | N/C      | N/C     | N/C     | N/C     | N/C     | N/C     | N/C     | N/C     | N/C      | N/C     | N/C     |       |
| 8  | 64   | Modulation (Color 1 Synchronous Color 3) Alternately (Color 2 Synchronous Color 4)                   | no   | N/C      | N/C     | N/C     | N/C     | N/C     | N/C     | N/C     | N/C     | N/C      | N/C     | N/C     |       |
|  | 9  | 2 Double, 2 Quad (Color 1 Synchronous Color 3) Alternately (Color 2 Synchronous Color 4)             | no   | N/C      | N/C     | N/C     | N/C     | N/C     | N/C     | N/C     | N/C     | N/C      | N/C     | N/C     |       |
|  | 10   | 4 Single, 2 Triple (Color 1 Synchronous Color 3) Alternately (Color 2 Synchronous Color 4)           | no   | N/C      | N/C     | N/C     | N/C     | N/C     | N/C     | N/C     | N/C     | N/C      | N/C     | N/C     |       |
|  | 11   | 1 Double 1 Triple 1 Quad (Color 1 Synchronous Color 3) Alternately (Color 2 Synchronous Color 4)     | no   | N/C      | N/C     | N/C     | N/C     | N/C     | N/C     | N/C     | N/C     | N/C      | N/C     | N/C     |       |
|  | 68   | Steady burn-Color 1 & 3  | no   | N/C      | N/C     | N/C     | N/C     | N/C     | N/C     | N/C     | N/C     | N/C      | N/C     | N/C     |       |
|  | 69   | Steady burn-Color 2 & 4  | no   | N/C      | N/C     | N/C     | N/C     | N/C     | N/C     | N/C     | N/C     | N/C      | N/C     | N/C     |       |

## Warranty:

Electronics Controls Company "ECCO" (Manufacturer)

ECCO warrants that on the date of purchase, this product will conform to ECCO's specifications for this product (which are available from ECCO upon request). This Limited Warranty extends for sixty (60) months from the date of purchase.

DAMAGE TO PARTS OR PRODUCTS RESULTING FROM TAMPERING, ACCIDENT, ABUSE, MISUSE, NEGLIGENCE, UNAPPROVED MODIFICATIONS, FIRE OR OTHER HAZARD; IMPROPER INSTALLATION OR OPERATION; OR NOT BEING MAINTAINED IN ACCORDANCE WITH THE MAINTENANCE PROCEDURES SET FORTH IN ECCO'S INSTALLATION AND OPERATING INSTRUCTIONS VOIDS THIS LIMITED WARRANTY.

Exclusion of Other Warranties:

ECCO MAKES NO OTHER WARRANTIES, EXPRESSED OR IMPLIED. THE IMPLIED WARRANTIES FOR MERCHANTABILITY, QUALITY OR FITNESS FOR A PARTICULAR PURPOSE, OR ARISING FROM A COURSE OF DEALING, USAGE OR TRADE PRACTICE ARE HEREBY EXCLUDED AND SHALL NOT APPLY TO THE PRODUCT AND ARE HEREBY DISCLAIMED, EXCEPT TO THE EXTENT PROHIBITED BY APPLICABLE LAW. ORAL STATEMENTS OR REPRESENTATIONS ABOUT THE PRODUCT DO NOT CONSTITUTE WARRANTIES.

Remedies and Limitation of Liability:

ECCO'S SOLE LIABILITY AND BUYER'S EXCLUSIVE REMEDY IN CONTRACT, TORT (INCLUDING NEGLIGENCE), OR UNDER ANY OTHER THEORY AGAINST ECCO REGARDING THE PRODUCT AND ITS USE SHALL BE, AT ECCO'S DISCRETION, THE REPLACEMENT OR REPAIR OF THE PRODUCT, OR THE REFUND OF THE PURCHASE PRICE PAID BY BUYER FOR NON-CONFORMING PRODUCT. IN NO EVENT SHALL ECCO'S LIABILITY ARISING OUT OF THIS LIMITED WARRANTY OR ANY OTHER CLAIM RELATED TO THE ECCO'S PRODUCTS EXCEED THE AMOUNT PAID FOR THE PRODUCT BY BUYER AT THE TIME OF THE ORIGINAL PURCHASE. IN NO EVENT SHALL ECCO BE LIABLE FOR LOST PROFITS, THE COST OF SUBSTITUTE EQUIPMENT OR LABOR, PROPERTY DAMAGE, OR OTHER SPECIAL, CONSEQUENTIAL, OR INCIDENTAL DAMAGES BASED UPON ANY CLAIM FOR BREACH OF CONTRACT, IMPROPER INSTALLATION, NEGLIGENCE, OR OTHER CLAIM, EVEN IF ECCO OR A REPRESENTATIVE OF ECCO HAS BEEN ADVISED OF THE POSSIBILITY OF SUCH DAMAGES. ECCO SHALL HAVE NO FURTHER OBLIGATION OR LIABILITY WITH RESPECT TO THE PRODUCT OR ITS SALE, OPERATION AND USE, AND ECCO NEITHER ASSUMES NOR AUTHORIZES THE ASSUMPTION OF ANY OTHER OBLIGATION OR LIABILITY IN CONNECTION WITH SUCH PRODUCT.

This Limited Warranty defines specific legal rights. You may have other legal rights which vary from jurisdiction to jurisdiction. Some jurisdictions do not allow the exclusion or limitation of incidental or consequential damages.



833 West Diamond St  
Boise, Idaho 83705

**Customer Service**

USA 800-635-5900

UK +44 (0)113 237 5340

AUS +61 (0)3 63322444

[www.eccoesg.com](http://www.eccoesg.com)

An ECCO SAFETY GROUP™ Brand  
[www.eccosafetygroup.com](http://www.eccosafetygroup.com)



# Instrucciones de instalación y operación ED9215, COMBINACIÓN DE LUZ DE ADVERTENCIA Y DE TRABAJO



## ¡IMPORTANTE!

Lea todas las instrucciones antes de instalar y utilizar. Instalador: Este manual se debe entregar al usuario final!



## ADVERTENCIA

El no instalar o utilizar este producto de acuerdo con las recomendaciones del fabricante podría tener como resultado daño a la propiedad, lesiones graves corporales/personales o la muerte de usted y de las personas que busca proteger.



**No instale ni use este producto de seguridad sin haber leído y comprendido la información sobre seguridad incluida en este manual.**

1. Para garantizar la seguridad del personal de emergencias y la de las personas a las que este intenta proteger, es esencial una instalación correcta, combinada con la formación del operador en el uso, cuidado y mantenimiento de los dispositivos de alerta de emergencia.
2. Los dispositivos de alerta de emergencia a menudo requieren tensiones eléctricas o corrientes de entrada altas. Tenga cuidado cuando manipule conexiones eléctricas.
3. Este producto debe estar conectado a tierra correctamente. Una conexión a tierra incorrecta o unas conexiones eléctricas cortocircuitadas pueden provocar arcos de corriente alta, lo que puede ocasionar lesiones personales o daños graves en el vehículo, incluso un incendio.
4. La colocación e instalación adecuadas son vitales para el buen funcionamiento de este dispositivo de advertencia. Instale este producto de forma que permita un rendimiento óptimo del sistema y de que los controles estén situados de modo que el operador pueda alcanzarlos cómodamente y manejar el sistema sin perder en ningún momento el contacto visual con la calzada.
5. Es responsabilidad del operador del vehículo asegurarse todos los días de que todas las características de este producto funcionan correctamente. Durante su uso, el operador del vehículo debe asegurarse de que no haya componentes del vehículo (como los maleteros o puertas del habitáculo abiertos), personas, vehículos u otros obstáculos que bloqueen la señal de alarma.
6. El uso de este o cualquier otro dispositivo de advertencia no garantiza que los conductores puedan respetar la señal de alarma o reaccionar ante ella o vayan a hacerlo. Nunca dé por hecho que tiene prioridad de paso. Es responsabilidad del operador del vehículo asegurarse de que puede continuar de forma segura antes de entrar en una intersección, conducir en sentido contrario, responder a una gran velocidad o caminar por los carriles con tráfico o cerca de ellos.
7. El uso de este equipo está destinado exclusivamente a personal autorizado. El usuario es responsable de conocer y acatar todas las leyes vigentes relacionadas con dispositivos de señales de alerta de emergencia. Por lo tanto, el usuario debe comprobar todas las leyes y normativas de ámbito metropolitano, regional, nacional y cualquier otro ámbito pertinente. El fabricante no asume responsabilidad alguna por pérdidas derivadas del uso de este dispositivo de alarma.

## Especificaciones:

|                         |   |
|-------------------------|---|
| Tamaño:                 | 69,9 mm an. x 349,3 mm al. x 76,2 mm pr. (2,75" x 13,75" x 3,0")  |
| Peso:                   | 1,87 kg (4,12 lb)   |
| Tensión de entrada:     | 12-24 V CC  |
| Corriente de entrada:   | 3,26 A máx. a 12 V CC (nominal)   |
| Frecuencia de parpadeo: | Consulte la tabla de patrones de parpadeo   |
| Potencia de salida:     | LUCES DE TRABAJO CENTRALES MÁS LUCES DE ADVERTENCIA BLANCAS - 19 W<br>LUCES DE TRABAJO CENTRALES - 42 W |
| Rango temp.:            | -40 °C a 60 °C<br>-40 °F a 140 °F   |

## Instalación y montaje:

Retire con cuidado la unidad de su embalaje. Examine la unidad por si ha sufrido daños durante el transporte. Si encuentra daños, devuelva el producto a su distribuidor local para obtener un reemplazo cubierto por la garantía. No utilice piezas dañadas o rotas. Determine la ubicación de montaje con la mínima cantidad de curvatura que sea posible. Además, asegúrese de que hay una línea de visión clara para el tráfico.



### PRECAUCIÓN!

Cuando taladre cualquier superficie del vehículo, asegúrese de que no exista el riesgo de dañar cables eléctricos, tubos de combustible, tapicería de vehículo, etc.

## Montaje en superficie:

1. Inserte el pernos de cabeza hexagonal en el canal que mejor se adapte a la posición en la que se montará el producto y monte sin apretar el soporte en la luz como se muestra en la Figura 1.
2. Usando las ranuras de los soportes como plantilla, marque los orificios para la ubicación. Taladre dos orificios en la superficie de montaje que coincidan con los orificios del soporte.
3. Fije la luz en su lugar con la tornillería suministrada.

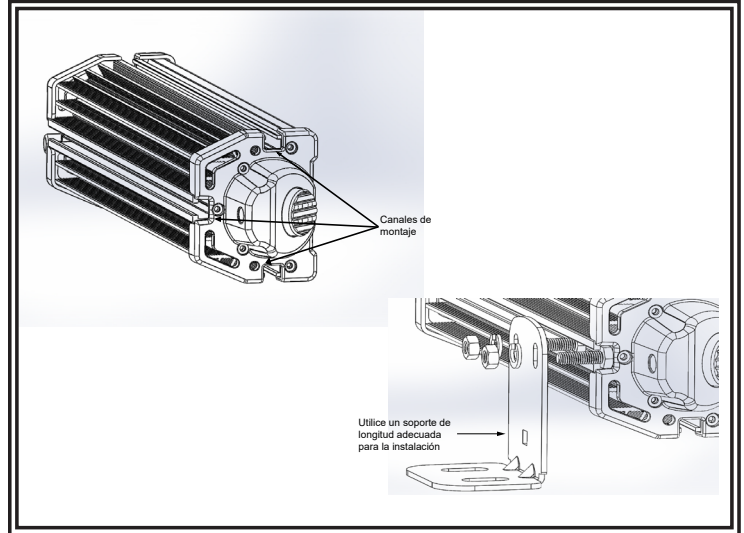


Figura 1

## Instrucciones de cableado:

Las combinaciones de luz de advertencia y luz de trabajo ED9215 parpadean automáticamente. Todo el cableado debe trenzado y como mínimo de 20 AWG. La línea positiva debe tener un fusible lento de 10 A para cada direccional, como se muestra en la Figura 2. Aísle los cables amarillo y azul cuando no se usen.

**¡IMPORTANTE!** Esta unidad es un dispositivo de seguridad, y debe conectarse a una toma independiente de alimentación con fusible para garantizar su funcionamiento continuo si fallase cualquier otro accesorio eléctrico.

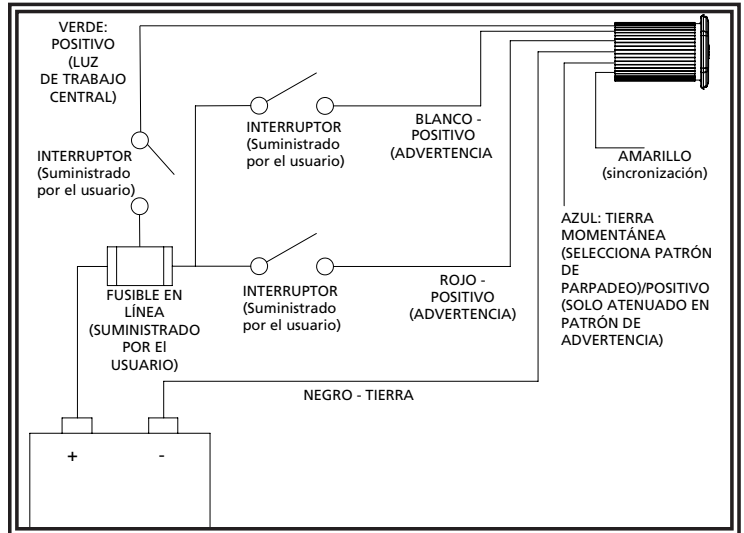


Figura 2

## Selección de patrón de parpadeo:

APLIQUE EL CABLE AZUL SOBRE EL CABLE NEGRO:

- Mantenga juntos durante menos de 1 segundo para el siguiente patrón de parpadeo
- Mantenga juntos entre 1 y 3 segundos para ir al patrón de parpadeo anterior

- Mantenga juntos entre 3 y 5 segundos para recuperar la configuración predeterminada de fábrica
- Mantenga juntos durante más de 5 segundos para el patrón de parpadeo 69

## Sincronización:

Este dispositivo es capaz de sincronizar hasta 8 productos de ECCO compatibles siguiendo estos pasos. Este dispositivo se puede sincronizar dentro de un patrón de parpadeo de 1 a 63.

1. Establezca el patrón de parpadeo deseado en cada unidad de forma individual. Además, se recomienda encarecidamente utilizar el mismo patrón de parpadeo en todas las unidades para producir el patrón de advertencia más eficaz. NOTA: Las fases 1 y 2 para cada estilo de patrón de parpadeo de la tabla indican el tiempo relativo entre las unidades conectadas en una instalación sincronizada. Para funcionar simultáneamente, cada unidad se debe ajustar con la misma fase (1 + (1 o 2 + 2)); para funcionar de forma alterna, las unidades se deben ajustar con fases opuestas (1 + 2 o 2 + 1).
2. Conecte entre sí los cables de sincronización amarillos y compruebe que las unidades parpadean de forma sincronizada según lo esperado. Si el patrón de una unidad parece incorrecto, se puede utilizar el cable de patrón azul para avanzar o retroceder por los patrones de esa unidad individual hasta seleccionar el patrón correcto. NOTA: Esto solo cambia el patrón de esa unidad específica y no afecta a las demás unidades conectadas al cable de sincronización amarillo.

### Garantía limitada del fabricante y restricción de la responsabilidad:

El fabricante garantiza que en la fecha de compra este producto cumplirá con las especificaciones del fabricante para este producto (que el fabricante pone a su disposición si se solicitan). Esta garantía limitada se extiende por sesenta (60) meses a partir de la fecha de compra.

EL DAÑO A LAS PIEZAS O LOS PRODUCTOS CAUSADO POR LA ALTERACIÓN, ACCIDENTE, ABUSO, MAL USO, NEGLIGENCIA, MODIFICACIONES NO AUTORIZADAS, FUEGO U OTRO PELIGRO; INSTALACIÓN U OPERACIÓN INCORRECTAS; O NO REALIZAR EL MANTENIMIENTO DE ACUERDO CON LOS PROCEDIMIENTOS DE MANTENIMIENTO ESTABLECIDOS EN LAS INSTRUCCIONES DE INSTALACIÓN Y DE OPERACIÓN DEL FABRICANTE ANULA ESTA Garantía LIMITADA.

### Exclusión de otras garantías:

EL FABRICANTE NO OFRECE NINGUNA OTRA GARANTÍA, EXPRESA O IMPLÍCITA. LAS GARANTÍAS IMPLÍCITAS DE COMERCIABILIDAD, CALIDAD O IDONEIDAD PARA UN OBJETIVO PARTICULAR, O QUE SURJAN DE UNA TRANSACCIÓN, USO O PRÁCTICA DE COMERCIO QUEDAN EXCLUIDAS POR MEDIO DE LA PRESENTE Y NO SERÁN VÁLIDAS PARA EL PRODUCTO, Y SE ANULAN POR MEDIO DE LA PRESENTE, EXCEPTO EN LA MEDIDA EN QUE LO PROHÍBAN LAS LEYES VIGENTES. LAS DECLARACIONES VERBALES O REPRESENTACIONES SOBRE EL PRODUCTO NO CONSTITUYEN GARANTÍAS.

### Compensaciones y restricción de la responsabilidad:

LA ÚNICA RESPONSABILIDAD DEL FABRICANTE Y LA ÚNICA Y EXCLUSIVA COMPENSACIÓN DEL COMPRADOR EN VIRTUD DE UN CONTRATO, POR ILÍCITO CIVIL O SEGÚN CUALQUIER SUPUESTO EN CONTRA DEL FABRICANTE RESPECTO AL PRODUCTO Y SU USO SERÁ EL REEMPLAZO O LA REPARACIÓN DEL PRODUCTO, O EL REEMBOLSO DEL PRECIO DE COMPRA PAGADO QUE HAYA PAGADO EL COMPRADOR POR EL PRODUCTO QUE NO CUMPLE CON LOS REQUISITOS. EN NINGÚN CASO LA RESPONSABILIDAD DEL FABRICANTE QUE SURJA DE ESTA GARANTÍA LIMITADA O POR CUALQUIER OTRA RECLAMACIÓN RELACIONADA CON LOS PRODUCTOS DEL FABRICANTE EXCEDERÁ LA CANTIDAD QUE EL COMPRADOR PAGÓ POR EL PRODUCTO EN EL MOMENTO DE LA COMPRA ORIGINAL. EN NINGÚN CASO EL FABRICANTE SERÁ RESPONSABLE POR LUCRO CESANTE, EL COSTO DE LA SUSTITUCIÓN DEL EQUIPO O LA MANO DE OBRA, DAÑOS A LA PROPIEDAD U OTROS DAÑOS ESPECIALES, CONSECUENCIALES O INCIDENTALES QUE SE BASEN EN CUALQUIER RECLAMACIÓN POR INCUMPLIMIENTO DE CONTRATO, INSTALACIÓN INAPROPIADA, NEGLIGENCIA O DE OTRO TIPO, INCLUSO SI SE LE HA INFORMADO AL FABRICANTE O A UN REPRESENTANTE DEL FABRICANTE SOBRE LA POSIBILIDAD DE QUE OCURRAN TALES DAÑOS. EL FABRICANTE NO TENDRÁ NINGUNA OTRA OBLIGACIÓN O RESPONSABILIDAD CON RESPECTO AL PRODUCTO O SU VENTA, OPERACIÓN Y USO, Y EL FABRICANTE NO ASUME NI AUTORIZA EL SUPUESTO DE CUALQUIER OTRA OBLIGACIÓN O RESPONSABILIDAD EN RELACIÓN CON DICHO PRODUCTO.

Esta garantía limitada define derechos legales específicos. Usted puede tener otros derechos legales que varían de una jurisdicción a otra. Algunas jurisdicciones no permiten la exclusión ni la limitación de daños incidentales o consecuenciales.



833 West Diamond St  
Boise, Idaho 83705  
**Servicio al cliente**  
EE.UU. 800.635.5900  
Reino Unido +44 (0)113 237 5340  
AUS +61 (0)3 63322444  
[www.eccoesg.com](http://www.eccoesg.com)

An ECCO SAFETY GROUP™ Brand  
[www.eccosafetygroup.com](http://www.eccosafetygroup.com)



# Instructions d'installation et d'utilisation ED9215 COMBINAISON LAMPE DE TRAVAIL ET FEUD'AVERTISSEMENT

**IMPORTANT!**

Lisez toutes les instructions avant l'installation et l'utilisation. Installateur : ce manuel doit être remis à l'utilisateur final.

**AVERTISSEMENT!**

Le non-respect des recommandations du fabricant lors de l'installation ou de l'utilisation de ce produit peut entraîner des dommages matériels et vous causer à vous-même ainsi qu'à ceux que vous souhaitez protéger des blessures corporelles graves voire mortelles!



**N'installez pas ce produit de sécurité et ne l'utilisez pas à moins d'avoir lu et compris les informations de sécurité contenues dans ce manuel.**

1. Une installation appropriée et un opérateur formé à utiliser, entretenir et réparer des dispositifs d'avertissement d'urgence sont essentiels pour garantir la sécurité du personnel d'urgence et du public
2. Les dispositifs d'avertissement d'urgence nécessitent souvent des tensions et des courants électriques élevés. Soyez prudent lorsque vous travaillez avec des connexions électriques sous tension.
3. Ce produit doit être mis à la terre adéquatement. Une mise à la terre inadéquate ou un court-circuit des connexions électriques peuvent provoquer un arc électrique à courant élevé, ce qui peut provoquer des blessures corporelles ou des dommages importants au véhicule, y compris un incendie.
4. Un positionnement et une installation adéquats sont essentiels au bon fonctionnement de ce dispositif d'avertissement. Installez ce produit afin que les performances de productivité du système soient optimales et que les commandes soient à portée de main de l'opérateur pour qu'il puisse utiliser le système saperdre le contact visuel avec la chaussée
5. Il incombe à l'opérateur du véhicule de s'assurer à tous les jours que toutes les fonctionnalités de ce produit fonctionnent correctement. En cours d'utilisation, l'opérateur du véhicule doit s'assurer que la visibilité du signal d'avertissement n'est pas bloquée par des composantes du véhicule (c.-à-d., des coffres ou des portes de compartiment ouverts), des personnes, des véhicules ou d'autres obstacles.
6. L'utilisation de ce dispositif ou de tout autre dispositif d'avertissement ne garantit pas que tous les conducteurs seront attentifs aux signaux ou qu'ils réagiront conséquemment à un signal d'urgence. Ne tenez jamais la priorité de passage pour acquise. Il est de la responsabilité de l'opérateur du véhicule de s'assurer qu'il puisse procéder en toute sécurité avant d'entrer dans une intersection, de conduire dans le sens inverse de la circulation, de répondre à un appel en conduisant à une vitesse élevée, de marcher sur ou autour des voies de circulation.
7. Cet équipement est destiné uniquement au personnel autorisé. Il incombe à l'utilisateur de comprendre et de respecter toutes les lois relatives aux dispositifs d'avertissement d'urgence. Par conséquent, l'utilisateur doit vérifier toutes les lois et réglementations en vigueur dans la ville, la province et le pays. Le fabricant décline toute responsabilité en cas de perte résultant de l'utilisation de ce dispositif d'avertissement.

## Spécifications:

|                        |   |
|------------------------|---|
| Taille:                | 5,1 cm L x 33 cm H x 7,6 cm P (2,75 po x 13,75 po x 3 po)   |
| Poids:                 | 4,12 lbs.   |
| Tension d'entrée:      | 12 à 24 V c. c.   |
| Courant d'entrée:      | 3,26 A maximum à 12 V c. c. (nominal)   |
| Taux de clignotement:  | Voir le tableau des effets de clignotement  |
| Puissance de sortie:   | LAMPES DE TRAVAIL CENTRALES PLUS FEUX DE DÉTRESSE BLANCS – 19 W<br>LAMPES DE TRAVAIL CENTRALES – 42 W |
| Plage de températures: | -40 à 60 °C<br>-40 à 140 °F   |



## Installation et montage:

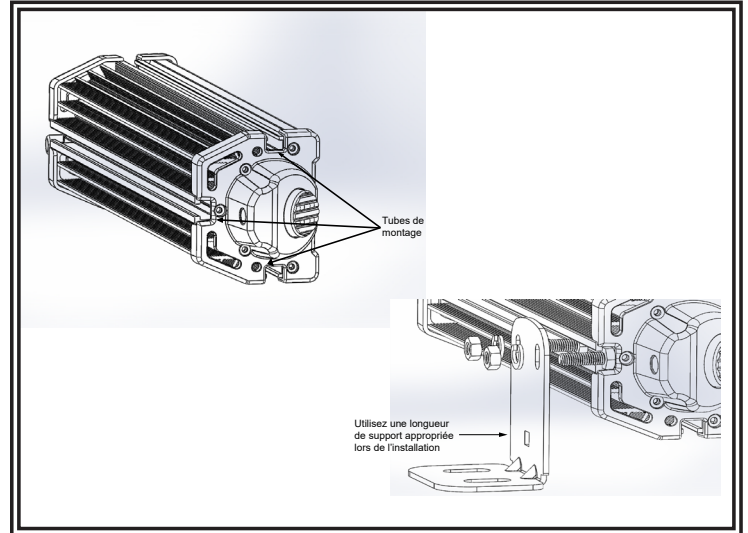
Retirer délicatement l'appareil de son emballage. Vérifier que l'appareil n'a pas été endommagé pendant le transport. En cas de dommage, renvoyer le produit à son détaillant local pour qu'il soit remplacé au titre de la garantie. Ne pas utiliser de pièces endommagées ou cassées. Déterminer un emplacement de montage avec le moins de courbure possible. Assurez-vous également que la portée optique est dégagée pour la circulation arrivant en sens inverse.



**ATTENTION!**  
Lors du perçage dans toute surface d'un véhicule, s'assurer qu'il n'y a aucun fil électrique, aucune conduite de carburant, aucune garniture du véhicule, etc. susceptible d'être endommagé.

## Montage en surface:

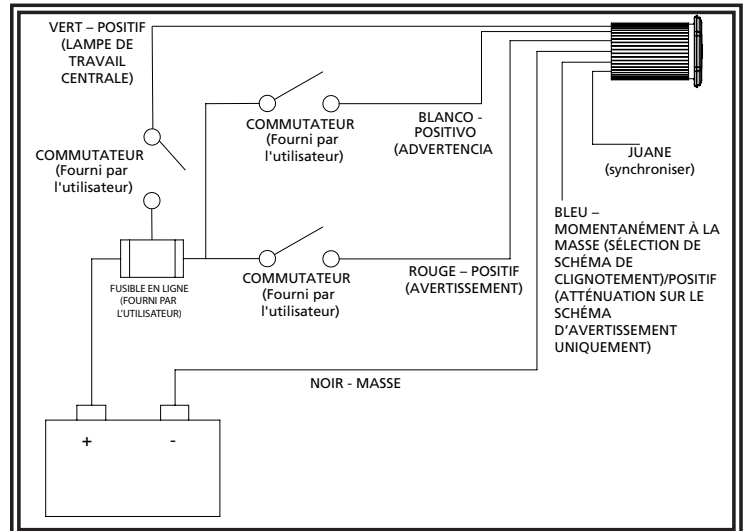
1. Insérez les boulons à tête hexagonale dans le tube qui répond le mieux la position de montage du produit et montez sans serrer le support sur le feu, comme illustré à la Figure 1.
2. En utilisant les fentes sur les supports comme modèles, marquez les trous pour les positionner. Percez les trous dans la surface de montage correspondant aux trous dans le support.
3. Fixez le feu à l'aide de la quincaillerie fournie par l'utilisateur.



**Figure 1**

## Instructions de câblage:

Les combinaisons lampe de travail et feu d'avertissement ED9215 clignotent automatiquement. Tout le câblage doit être toronné et d'un calibre minimal de 20 AWG. La ligne positive doit être dotée d'un fusible en ligne à action retardée de 10 A pour chaque DEL directionnelle, comme illustré à la FIGURE 2. Isolez les fils jaune et bleu lorsqu'ils ne sont pas utilisés.



**Figure 2**

## Sélection des effets de clignotement:

FAIRE ENTRER LE FIL BLEU EN CONTACT AVEC LE FIL NOIR:

- Maintenez le contact pendant moins de 1 seconde pour passer au schéma de clignotement suivant.
- Maintenez le contact de 1 à 3 secondes pour revenir au schéma de clignotement précédent.

- Maintenez le contact de 3 à 5 secondes pour revenir aux paramètres d'usine par défaut.
- Maintenez le contact pendant plus de 5 seconds pour passer au schéma de clignotement 69.

## Synchronisation:

Cet appareil est capable de synchroniser jusqu'à 8 produits ECCO compatibles en suivant les étapes ci-dessous. Cet appareil peut être synchronisé avec les schémas de clignotement 1 à 63.

1. Réglez le schéma de clignotement souhaité sur chaque unité individuellement. Il est aussi fortement recommandé d'utiliser le même style de schéma de clignotement sur toutes les unités pour produire l'avertissement le plus efficace. REMARQUE : les phases 1 et 2 pour chaque style de schéma de clignotement dans le tableau indiquent la synchronisation relative entre les unités branchées dans une installation synchronisée. Pour fonctionner simultanément, chaque unité doit être réglée sur la même phase (1 + 1 ou 2 + 2); pour fonctionner en alternance, les unités doivent être réglées sur des phases opposées (1 + 2 ou 2 + 1).
2. Brancher les fils de synchronisation jaunes ensemble et vérifier que les unités clignotent de manière synchronisée comme prévu. Si l'effet d'une unité semble incorrect, le fil bleu de sélection de l'effet peut être utilisé pour faire défiler les effets précédents ou subséquents sur cette unité jusqu'à ce que l'effet correct soit sélectionné. REMARQUE : cette mesure modifie uniquement l'effet d'une unité et n'affecte pas les autres unités branchées au fil de synchronisation jaune.  
sync wire.

### Garantie limitée du fabricant et limitation de responsabilité :

Le Fabricant garantit qu'à la date de l'achat, ce produit est conforme aux spécifications du Fabricant le concernant (qui sont disponibles sur demande auprès du Fabricant). Cette Garantie limitée s'étend sur soixante (60) mois à compter de la date d'achat.

LES DOMMAGES À DES PIÈCES OU À DES PRODUITS RÉSULTANT D'UNE ALTÉRATION, D'UN ACCIDENT, D'UN ABUS, D'UNE NÉGLIGENCE, DE MODIFICATIONS NON AUTORISÉES, D'UN INCENDIE OU DE TOUT AUTRE DANGER ; DE L'INSTALLATION OU D'UNE UTILISATION INCORRECTE ; OU D'UN DÉFAUT D'ENTRETIEN CONFORME AUX PROCÉDURES DE MAINTENANCE DÉCRITES DANS LES CONSIGNES D'INSTALLATION ET D'UTILISATION DU FABRICANT ANNULENT CETTE GARANTIE LIMITÉE.

### Exclusion d'autres garanties :

LE FABRICANT N'ÉMET AUCUNE AUTRE GARANTIE, QU'ELLE SOIT EXPRESSE OU IMPLICITE. LES GARANTIES IMPLICITES DE QUALITÉ MARCHANDE, DE QUALITÉ OU D'ADAPTATION À UN OBJECTIF PARTICULIER, OU DÉCOULANT D'UNE TRANSACTION, D'UN USAGE OU DE PRATIQUES COMMERCIALES, SONT EXCLUES PAR LES PRÉSENTES, NE S'APPLIQUERONT PAS AU PRODUIT, ET SONT DÉCLINÉES PAR LES PRÉSENTES, EXCEPTÉ DANS LA MESURE INTERDITE PAR LA LÉGISLATION EN VIGUEUR. LES DÉCLARATIONS ORALES OU AUTRES DÉCLARATIONS CONCERNANT LE PRODUIT NE CONSTITUENT PAS DES GARANTIES.

### Recours et limitation de responsabilité :

LA SEULE RESPONSABILITÉ DU FABRICANT ET LE RECOURS EXCLUSIF DE L'ACHETEUR CONTRE LE FABRICANT, PAR CONTRAT, EN CAS DE DÉLIT (Y COMPRIS LA NÉGLIGENCE), OU SELON TOUTE AUTRE THÉORIE, EN CE QUI CONCERNE LE PRODUIT ET SON UTILISATION, SE LIMITERONT, À LA DISCRÉTION DU FABRICANT, AU REMPLACEMENT OU À LA RÉPARATION DU PRODUIT, OU AU REMBOURSEMENT DU PRIX D'ACHAT PAYÉ PAR L'ACHETEUR POUR LE PRODUIT NON CONFORME. EN AUCUN CAS LA RESPONSABILITÉ DU FABRICANT DÉCOULANT DE CETTE GARANTIE LIMITÉE OU DE TOUTE AUTRE RÉCLAMATION RELATIVE AUX PRODUITS DU FABRICANT NE DÉPASSERA LE MONTANT PAYÉ PAR L'ACHETEUR POUR LE PRODUIT AU MOMENT DE L'ACHAT INITIAL. EN AUCUN CAS LE FABRICANT NE POURRA ÊTRE TENU POUR RESPONSABLE DE LA PERTE DE PROFITS, DU COÛT DE L'ÉQUIPEMENT OU DE LA MAIN D'OEUVRE DE REMPLACEMENT, DES DOMMAGES MATÉRIELS, OU D'AUTRES DOMMAGES SPÉCIAUX, CONSÉCUTIFS OU INCIDENTS EN SE BASANT SUR UNE RÉCLAMATION POUR RUPTURE DE CONTRAT, INSTALLATION INAPPROPRIÉE, NÉGLIGENCE OU TOUTE AUTRE RÉCLAMATION, MÊME SI LE FABRICANT OU UN REPRÉSENTANT DU FABRICANT A ÉTÉ AVERTI DE LA POSSIBILITÉ DE TELS DOMMAGES. LE FABRICANT N'A AUCUNE AUTRE OBLIGATION OU RESPONSABILITÉ EN CE QUI CONCERNE LE PRODUIT OU SA VENTE, SON FONCTIONNEMENT ET SON UTILISATION, ET LE FABRICANT N'ASSUME NI N'AUTORISE EN AUCUN CAS L'HYPOTHÈSE D'UNE AUTRE OBLIGATION OU RESPONSABILITÉ EN RELATION AVEC CE PRODUIT.

Cette Garantie limitée définit des droits légaux spécifiques. Vous pouvez avoir d'autres droits légaux qui varient d'une juridiction à l'autre. Certaines juridictions ne permettent pas l'exclusion ou la limitation des dommages indirects ou consécutifs.



833 West Diamond St  
Boise, Idaho 83705  
**Le Service Client**  
États-Unis 800.635.5900  
Royaume-Uni +44 (0)113 237 5340  
AUS +61 (0)3 63322444  
[www.eccoesg.com](http://www.eccoesg.com)

An ECCO SAFETY GROUP™ Brand  
[www.eccosafetygroup.com](http://www.eccosafetygroup.com)