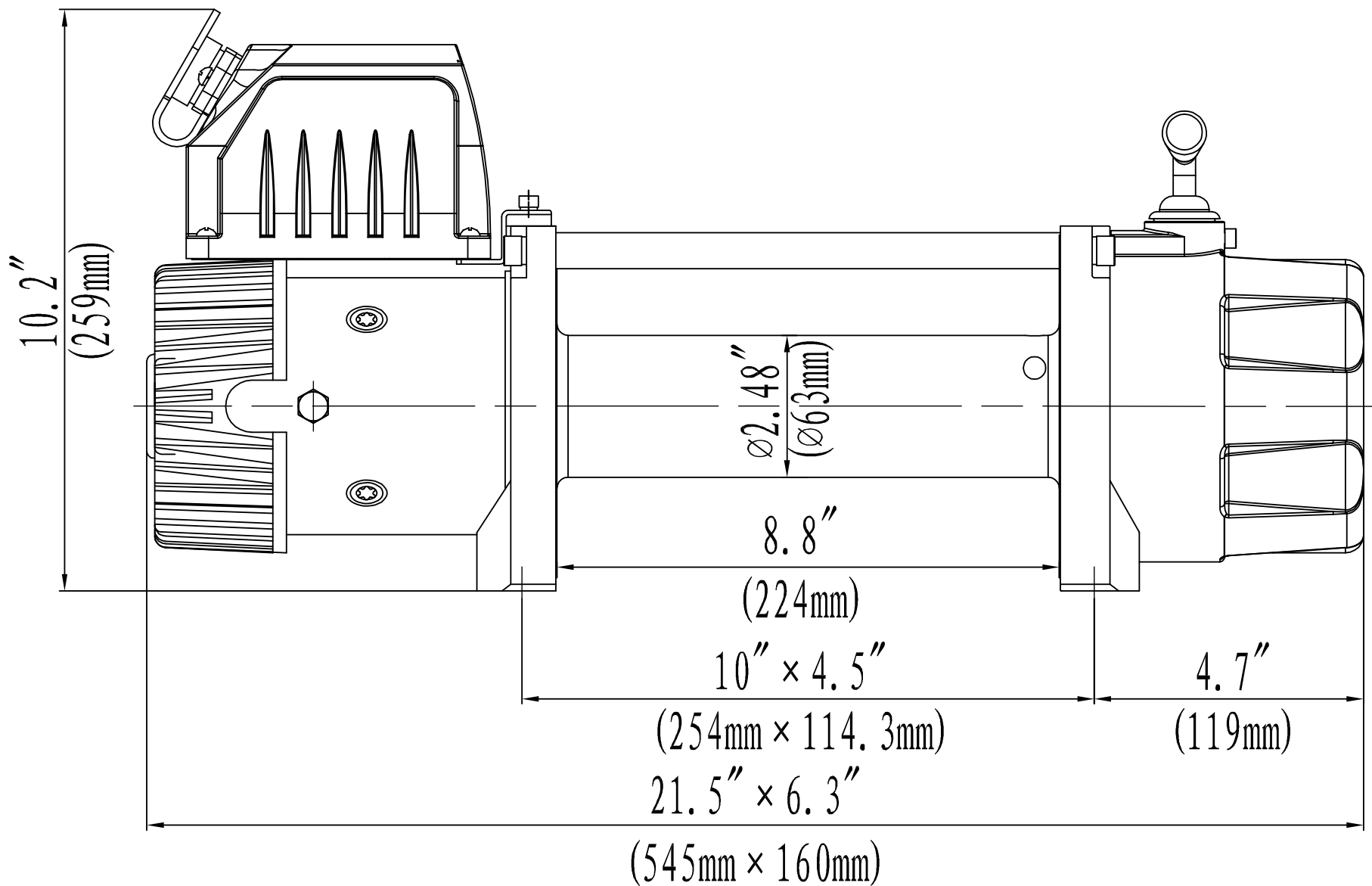




# SPARTAN 8000 TECHNICAL DIAGRAM



**VALUE WITHOUT COMPROMISE**