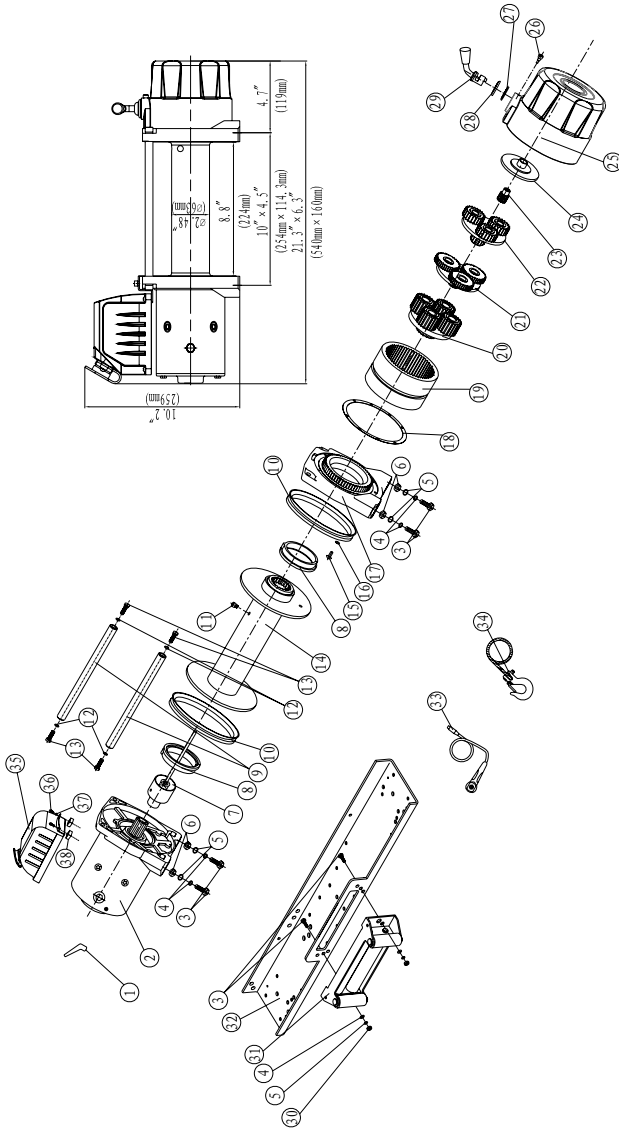




# Spartan 8000 Winch Assembly Drawing



## WINCH PARTS LIST

No.	Part #	Qty	Description	Remark
1	800001	3	Terminal Protect	
2	800100	1	Motor Assembly	
3	800002	6	Cap Screw M10 x 35	
4	800003	6	Lock Washer Φ10	
5	800004	6	Thin Flat Washer Φ10	
6	800005	4	Hex Nut M10	
7	800200	1	Break / Shaft Assembly	
8	800006	2	Bushing—Drum	
9	800007	2	Tie Bar	
10	800008	2	Ring Seals	
11	800009	1	Screw M8 x 10	
12	800010	4	Lock Washer Φ8	
13	800011	4	Cap Screw M8 x 30	
14	800300	1	Drum Assembly	
15	800012	8	Screw M5 x 20	
16	800013	8	Lock Washer Φ5	
17	800014	1	End Bearing	
18	800015	1	Gasket	
19	800016	1	Gear—Ring	
20	800400	1	Gear Carrier Assembly (Output)	
21	800500	1	Gear Carrier Assembly (Intermediate)	
22	800600	1	Gear Carrier Assembly (Input)	
23	800017	1	Gear—Input Sun	
24	800018	1	Trust Washer	
25	800019	1	Gear—Housing	
26	800020	1	Clutch Screw	
27	800021	1	Ring Seals	
28	800022	1	Clutch Cover	
29	800023	1	Clutch Handle	
30	800024	2	Locknut M10	
31	800700	1	Roller Fairlead	
32	800025	1	Mounting Channel	By Choice
33	800800	1	Remote Control Switch (RC3)	
34	800900	1	Cable Assembly	
35	801000	1	Control Box	
36	800026	2	Screw M5×16	
37	800027	2	Lock Washer Ø5	
38	800028	2	Block	