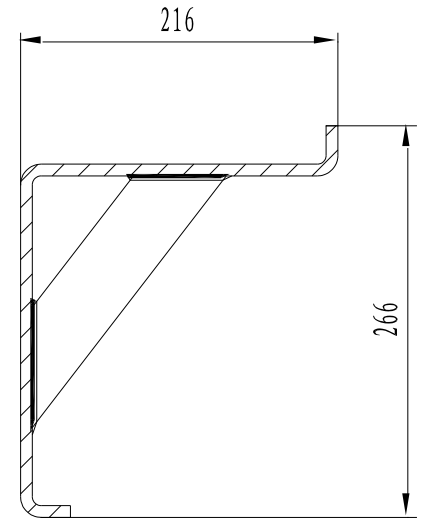
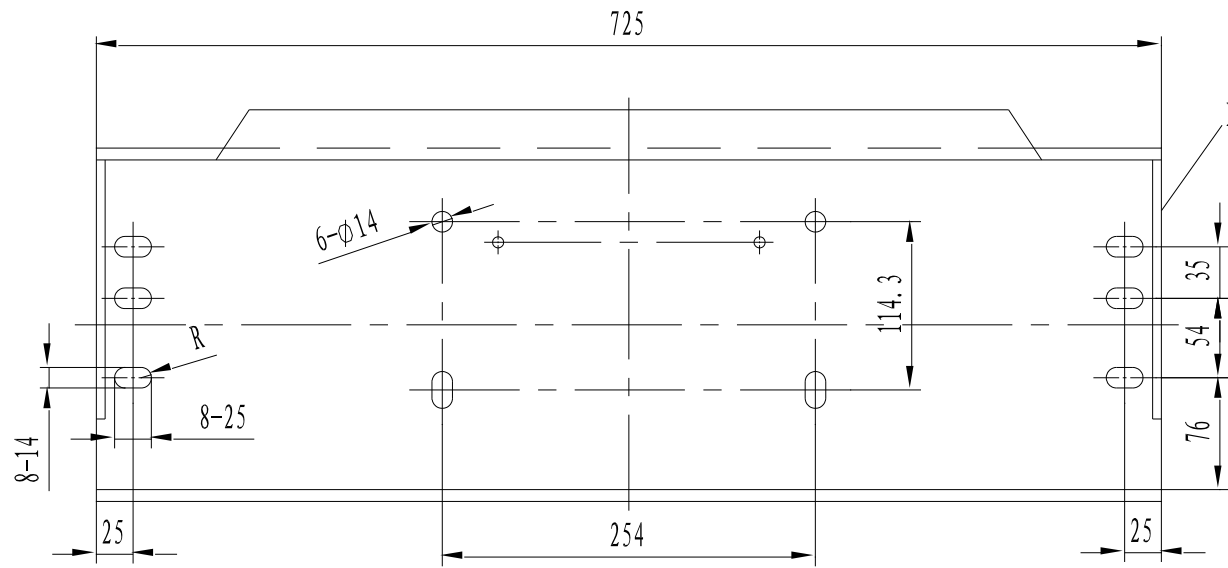
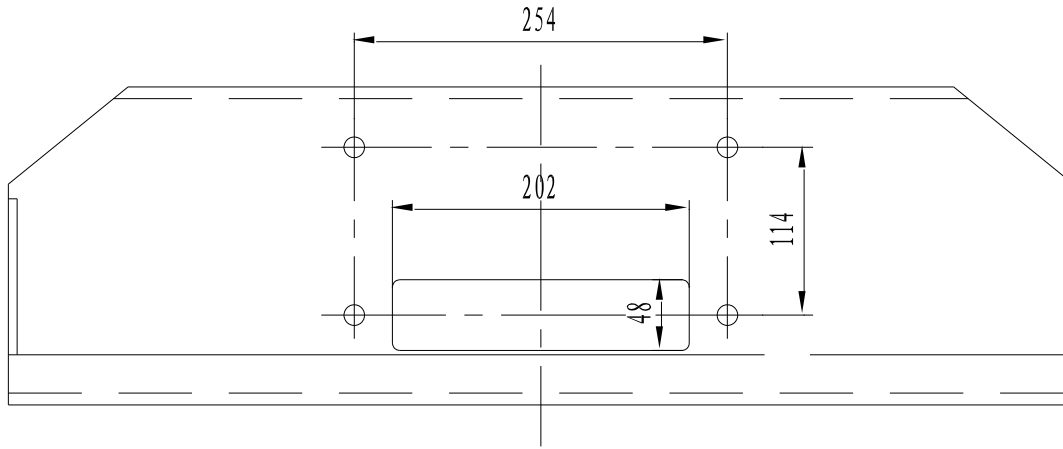




# IST200 MOUNTING PLATE DIAGRAM



**VALUE WITHOUT COMPROMISE**