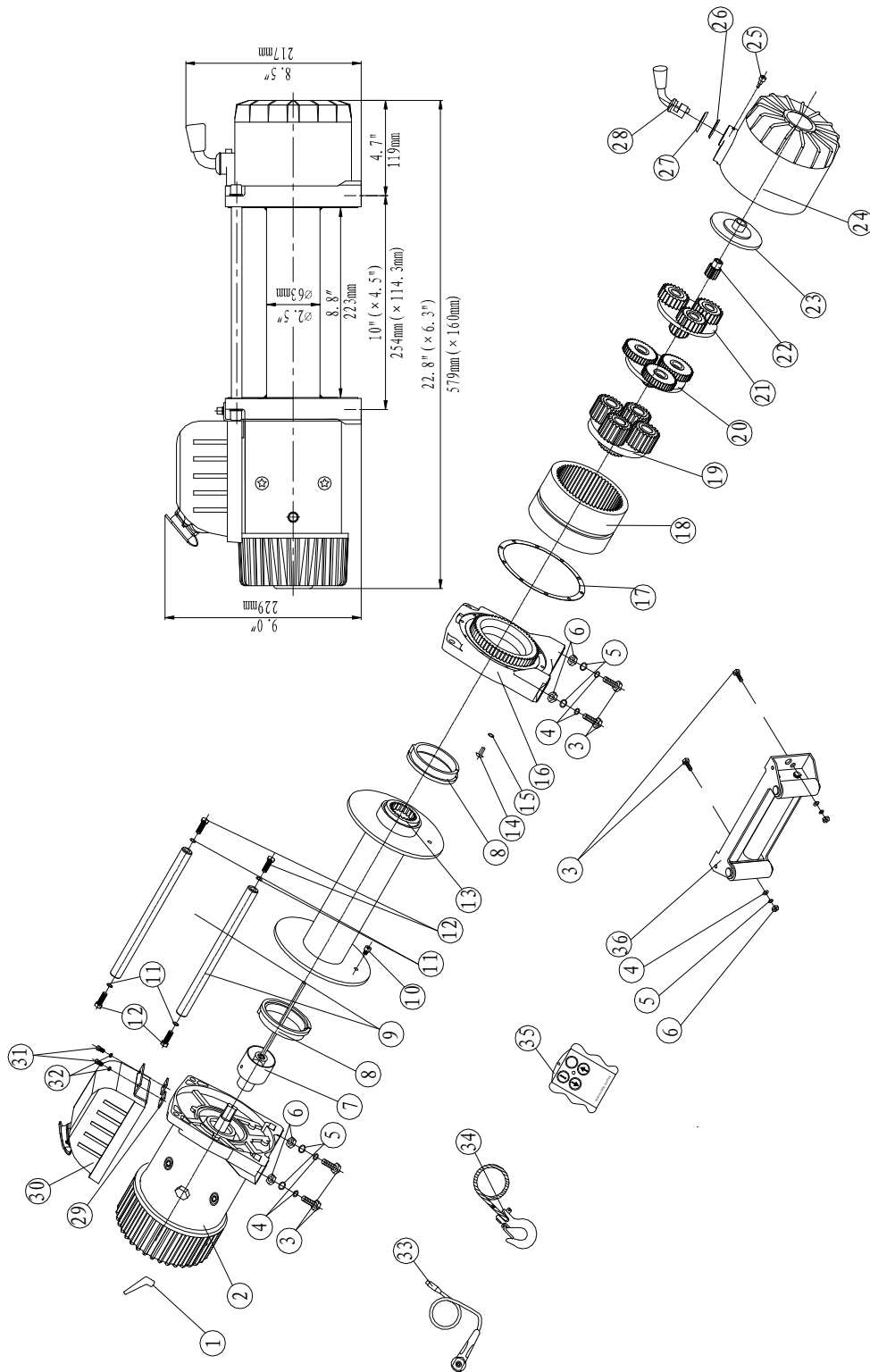




# Samurai 12000 Winch Assembly Drawing



## WINCH PARTS LIST (S12000)

No.	Part #	Qty	Description	Remark
1	120001	1	Terminal Protect	
2	120100	1	Motor Assembly	
3	120002	6	Cap Screw M10 x 35	
4	120003	6	Lock Washer Φ10	
5	120004	6	Think Flat Washer Φ10	
6	120005	6	HeX Flange Nut M10	
7	120200	1	Break / Shaft Assembly	
8	120006	2	Bushing—Drum	
9	120007	2	Tie Bar	
10	120008	1	Cap Screw M6 x 10	
11	120009	4	Think Flat Washer Φ8	
12	120010	4	Cap Screw M8 x 30	
13	120300	1	Drum Assembly	
14	120011	10	Screw M4 x 25	
15	120012	10	Lock Washer Φ4	
16	120013	1	End Bearing	
17	120014	1	Gasket	
18	120015	1	Gear—Ring	
19	120400	1	Gear Carrier Assembly (Input)	
20	120500	1	Gear Carrier Assembly (Intermediate)	
21	120600	1	Gear Carrier Assembly (Output)	
22	120016	1	Gear—Input Sun	
23	120017	1	Trust Washer	
24	120018	1	Gear—Housing	
25	120019	1	Clutch Screw	
26	120020	1	Ring Seals	
27	120021	1	Clutch Cover	
28	120022	1	Clutch	
29	120030	2	Heel Block	
30	120700	1	Control Box	
31	120031	2	Screw M5 x 2.2	
32	120032	2	Lock Washer Φ5	
33	120RS	1	Remote Control Switch (R3)	
34	120800	1	Cable Assembly	
35	120WRS	1	Wireless Remote Control Switch	
36	120900	1	Roller Fairlead	