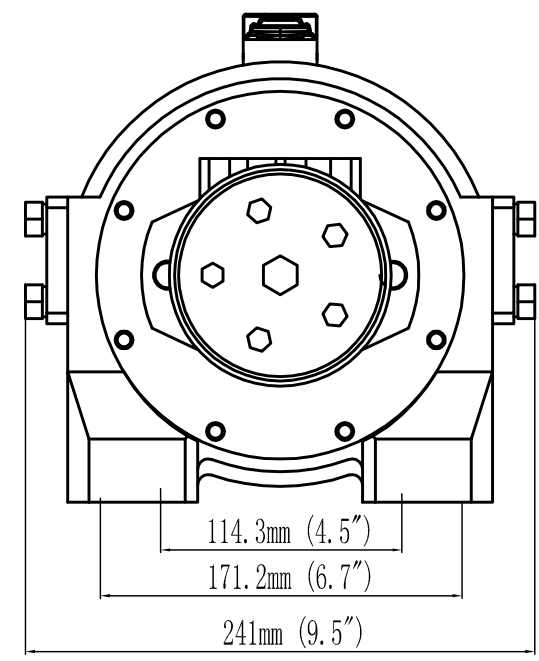
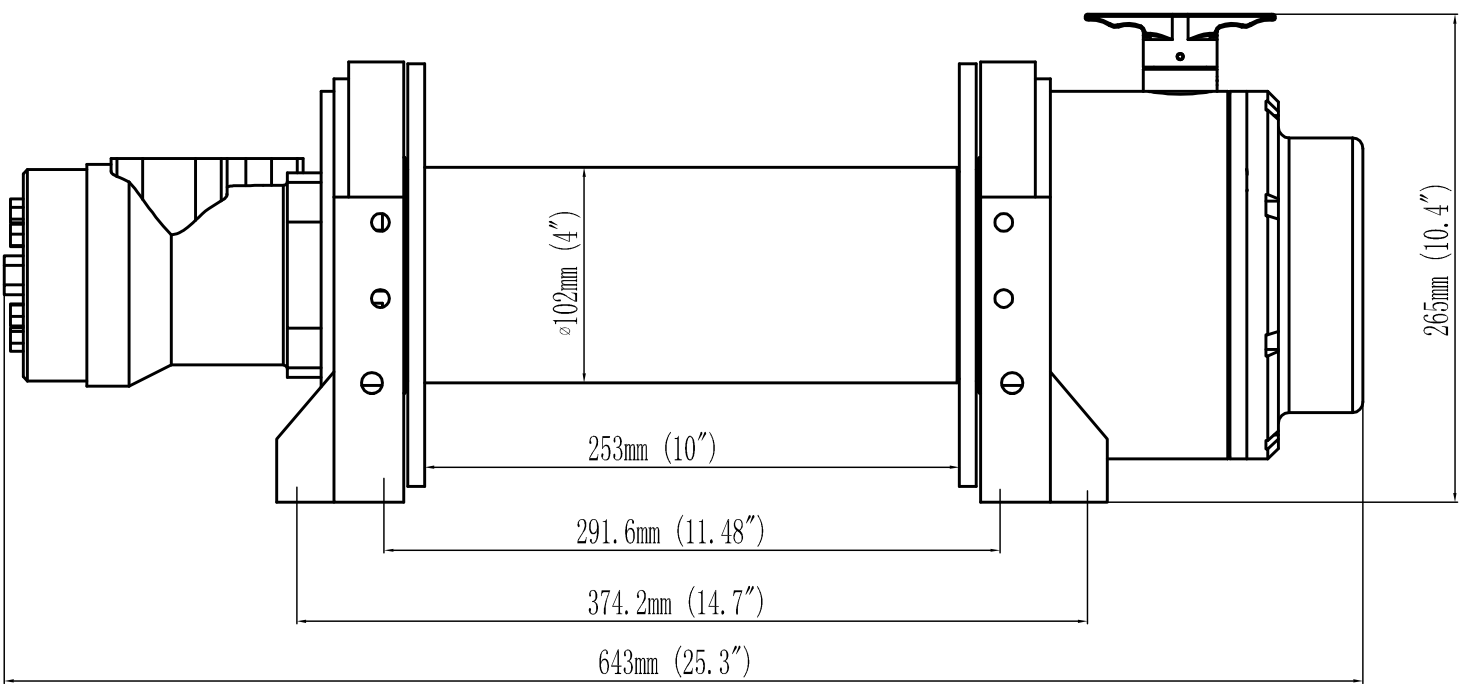




10 000 NW TECHNICAL DIAGRAM



VALUE WITHOUT COMPROMISE