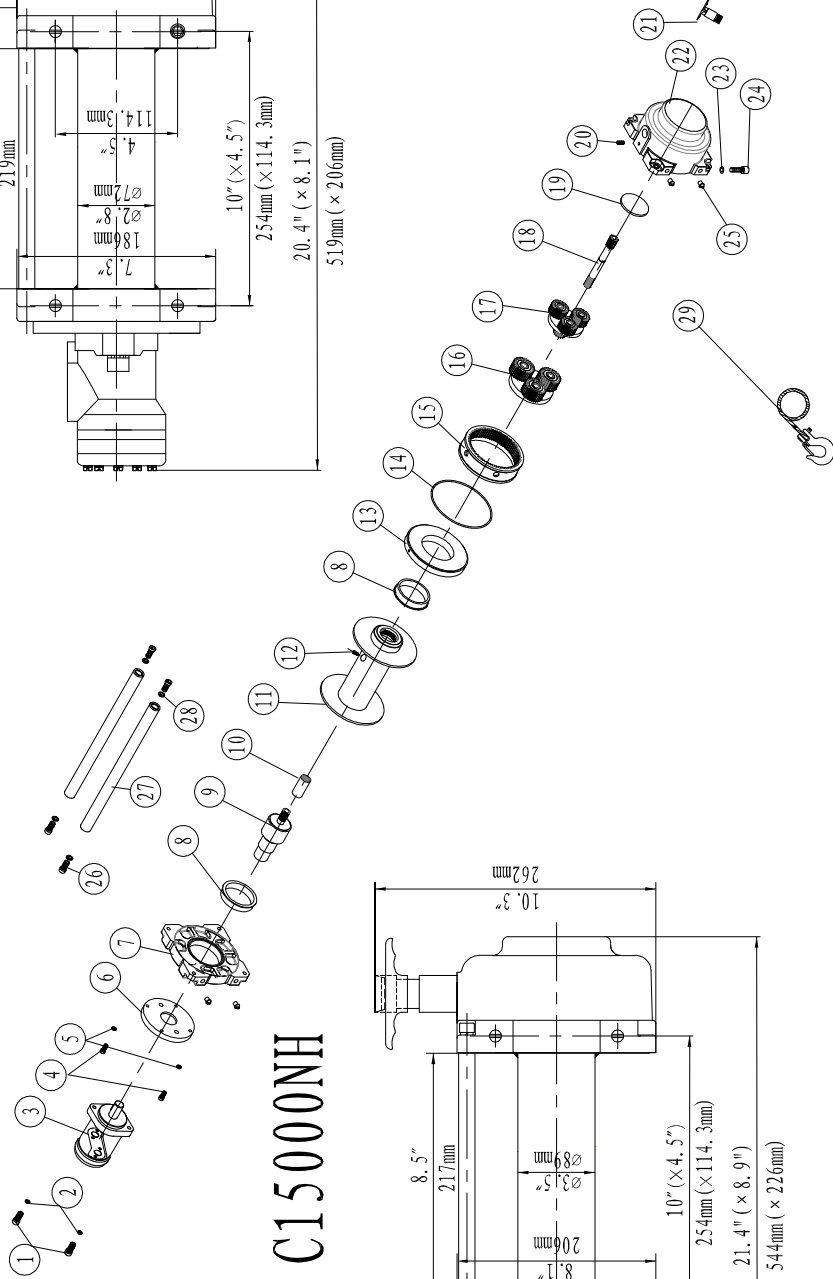
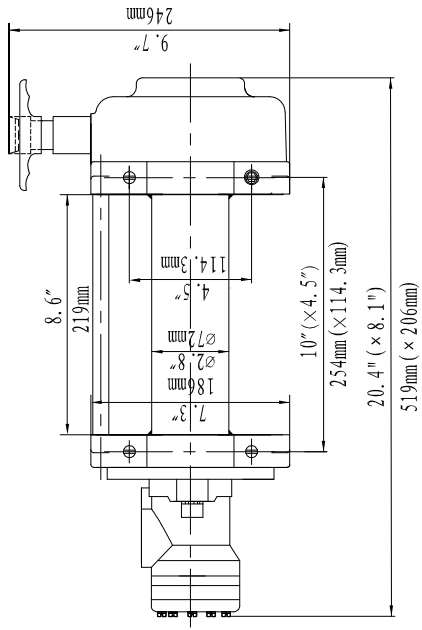


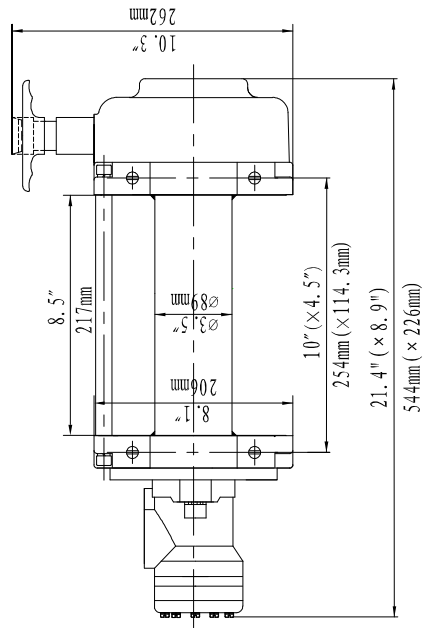


# NH10000 & NH15000 Winch Assembly Drawing

## C10000NH



## C15000NH



## WINCH PARTS LIST

No.	Part #	Qty	Description	Remark
1	C100NH0100	1	Hydraulic Motor	Used in C10000NH
	C150NH0100	1	Hydraulic Motor	Used in C15000NH
2	C100NH0001	2	Screw M12x30	
3	C100NH0002	2	Lock Washer Ø12	
4	C100NH0003	4	Screw M8x25	
5	C100NH0004	4	Lock Washer Ø8	
6	C100NH0005	1	Coupling plate	
7	C100NH0006	1	Front Bearing	Used in C10000NH
	C150NH0006	1	Front Bearing	Used in C15000NH
8	C100NH0007	2	Bushing-Drum	Used in C10000NH
	C150NH0007	2	Bushing-Drum	Used in C15000NH
9	C100NH0200	1	Break/Shift Assembly	Used in C10000NH
	C150NH0200	1	Break/Shift Assembly	Used in C15000NH
10	C100NH0008	1	Transition Shaft	
11	C100NH0300	1	Drum Assembly	Used in C10000NH
	C150NH0300	1	Drum Assembly	Used in C15000NH
12	C100NH0009	1	Screw M8x10	
13	C100NH0010	1	Inner supporting	Used in C10000NH
	C150NH0010	1	Inner supporting	Used in C15000NH
14	C100NH0011	1	"O" Ring Seals	Used in C10000NH
	C150NH0011	1	"O" Ring Seals	Used in C15000NH
15	C100NH0012	1	Gear-Ring	Used in C10000NH
	C150NH0012	1	Gear-Ring	Used in C15000NH
16	C100NH0400	1	Gear Carrier Assembly(Output)	Used in C10000NH
	C150NH0400	1	Gear Carrier Assembly(Output)	Used in C15000NH
17	C100NH0500	1	Gear Carrier Assembly(Intput)	Used in C10000NH
	C150NH0500	1	Gear Carrier Assembly(Intput)	Used in C15000NH
18	C100NH0013	1	Transmission Shaft	
19	C100NH0014	1	Antifriction Pad	
20	C100NH0015	1	Screw M8 × 10	
21	C100NH0600	1	Clutch handle Assembly	
22	C100NH0016	1	Gear-Housing	
23	C100NH0002	4	Lock Washer Ø12	
24	C100NH0017	4	Screw M12 × 35	
25	C100NH0018	4	Tamper	
26	C100NH0019	4	Screw M10 × 35	
27	C100NH0020	2	Tie Bar	
28	C100NH0021	4	Lock Washer Ø10	
29	C100NH0700	1	Tensioned Of Steel Wire Supplied Assembly	
30	C100NH0021	4	Lock Washer Ø10	
31	C100NH0022	4	Screw M10 × 25	
32	C100NH0023	1	Back Mounting Plata	
33	C100NH0002	4	Lock Washer Ø12	
34	C100NH0024	4	Screw M12 × 30	
35	C100NH0800	1	Cable Assembly	Used in C10000NH
	C150NH0800	1	Cable Assembly	Used in C15000NH