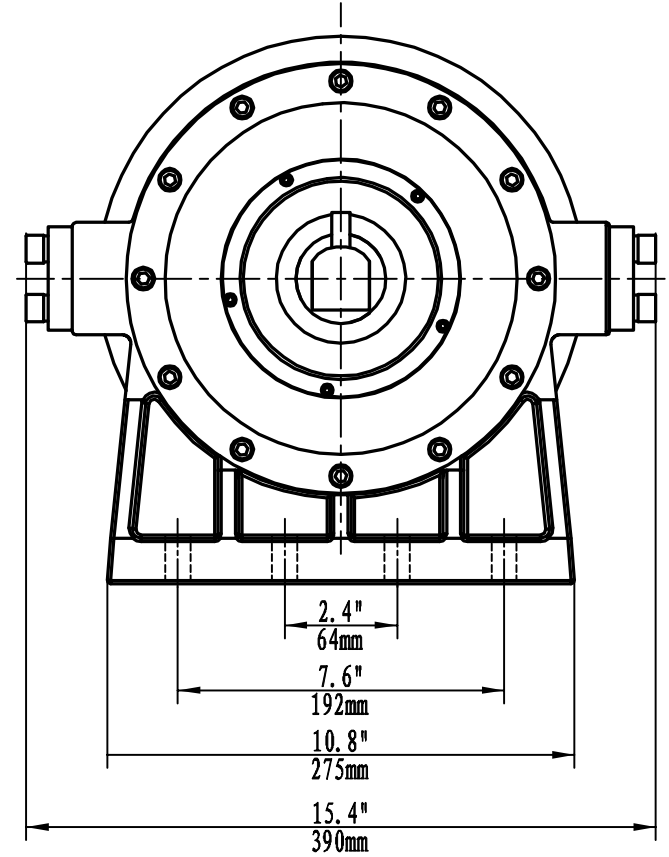
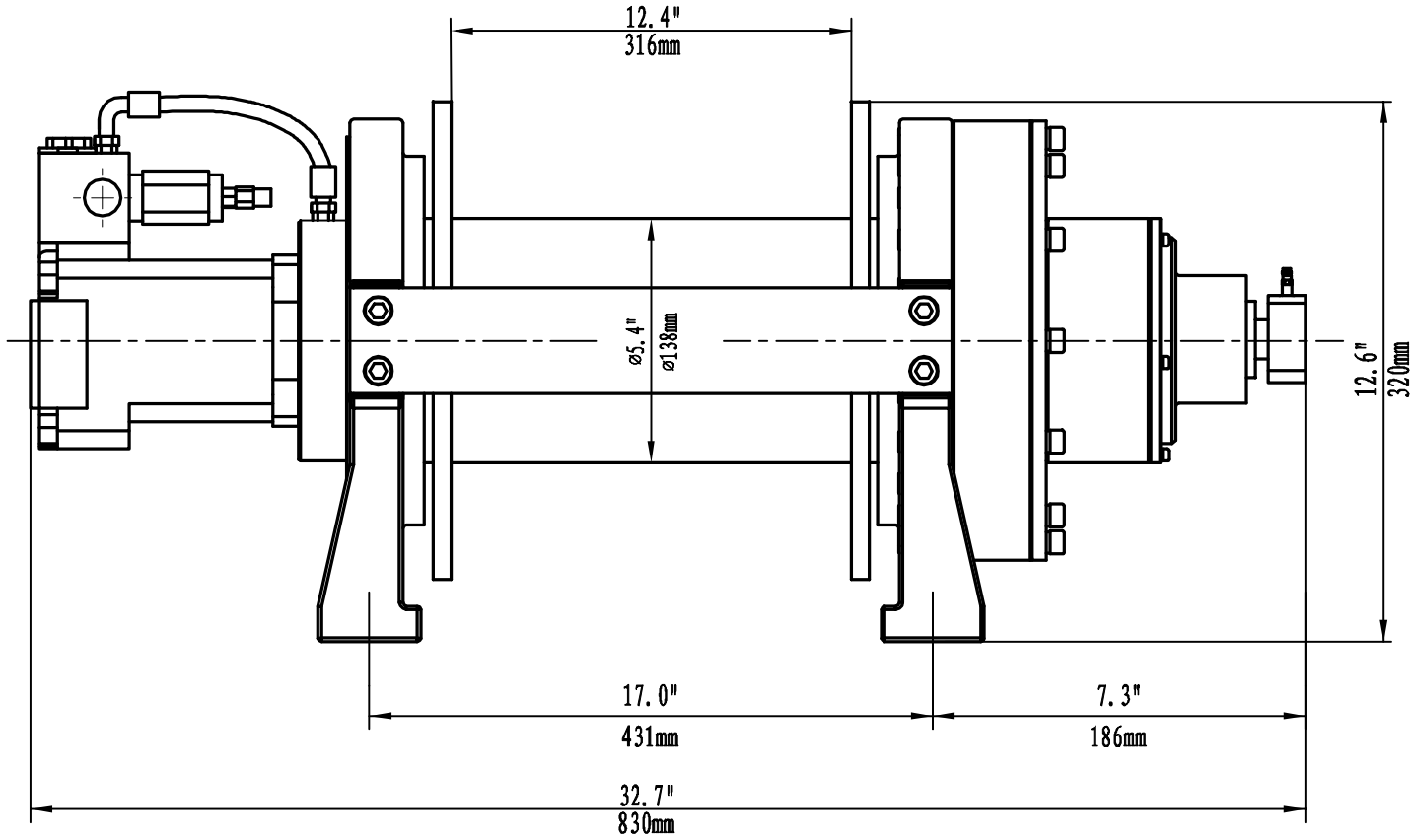




10JP TECHNICAL DIAGRAM



VALUE WITHOUT COMPROMISE