

Installation Guide for Ford F-150

PNs 140862/BC, 140863/BC, 140864/BC, 140865/BC, 140866/BC, 140867/BC, 140868/BC, 140869/BC,
140878/BC, 140879/BC



******* Please compare the parts in the box with the bill of materials provided *****
to assure that you have all the parts necessary for this installation.**

These instructions have been written to help you with the installation of your Borla Performance exhaust system. Please read this document completely before beginning the installation of your system.

To ensure this part number fits your specific model year, please visit our website for the latest model year listings at www.BORLA.com

Thank you for purchasing a Borla Performance Cat-Back™ exhaust system.

Borla Performance Cat-Back™ exhaust systems PNs 140862/BC, 140863/BC, 140864/BC are designed for the Ford F-150 Crew Cab Short Bed and Extended Cab Standard Bed (145.4" wheelbase), equipped with a 2.7L/3.5L V6 engine and 2WD or 4WD automatic transmission.

Borla Performance Cat-Back™ exhaust systems PNs 140865/BC, 140866/BC, 140867/BC are designed for the Ford F-150 Crew Cab Short Bed and Extended Cab Standard Bed (145.4" wheelbase), equipped with a 5.0L V8 engine and 2WD or 4WD automatic transmission.

Borla Performance Cat-Back™ exhaust systems PNs 140868/BC, 140869/BC are designed for the Ford F-150 Regular Cab Standard Bed (122.8" wheelbase), equipped with a 2.7L V6/5.0L V8 engine and 2WD or 4WD automatic transmission.

Borla Performance Cat-Back™ exhaust systems PNs 140878/BC, 140879/BC are designed for the Ford F-150 Crew Cab Short Bed and Extended Cab Standard Bed (145.4" wheelbase), equipped with a 3.3L V6 engine and 2WD or 4WD automatic transmission.

Borla Performance Industries recommends that an exhaust shop or professional after market parts installer, who has all the necessary equipment, tools and experienced personnel needed for proper installation, should perform the installation of this system. However, if you decide to perform the installation, we recommend someone should help you. Ensure the installer uses all under car safety precautions including eye protection.

Please take time to read and understand the following...

By installing your Borla Performance exhaust system, you indicate that you have read this document and you agree with the terms stated below.

It is the responsibility of the purchaser to follow all installation instruction guidelines and safety procedures supplied with your Borla Performance exhaust system.

Borla Performance Industries assumes no responsibility for damages occurring from misuse, abuse, improper installation, improper operation, lack of responsible care, or all previously stated reasons resulting from incompatibility with other manufacturer's products and/or systems.

Included with your Borla Performance exhaust system is a warranty card. Please read it carefully before you begin any work on your vehicle. If you should have any questions regarding our warranty policy, installation, or any other matter pertaining to your new Borla Performance exhaust system, please give us a call at the number provided on the warranty card.

Minimum Required Tool List:

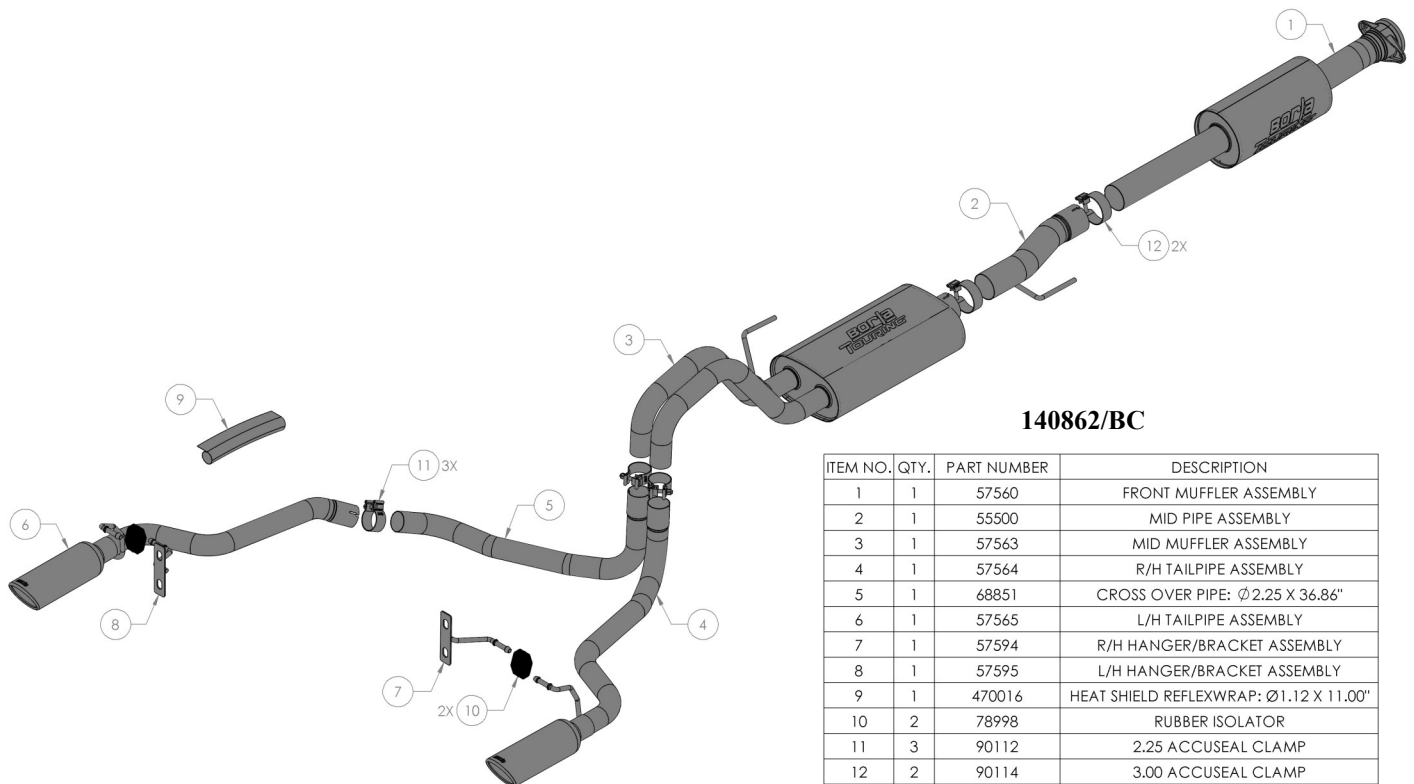
TOOLS:

1. 3/8" drive ratchet
2. 3/8" drive extension 6"
3. 15mm deep well socket
4. 10mm socket
5. 13mm socket
6. 21mm deep well socket
7. Pry bar

SHOP SUPPLIES:

1. Shop lubricant

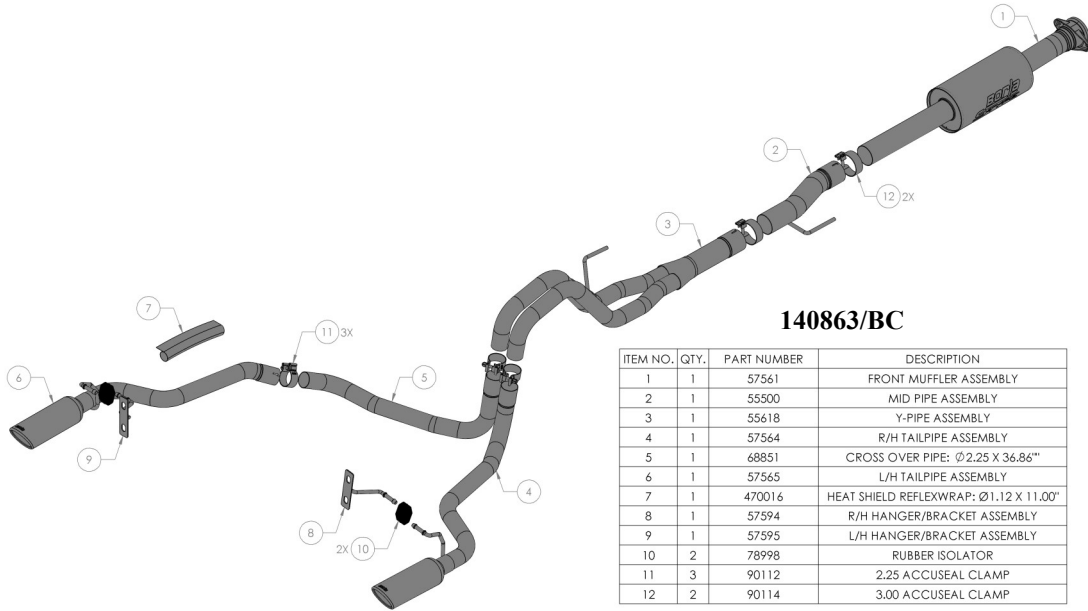
Borla Performance - Bill of Materials



140862/BC

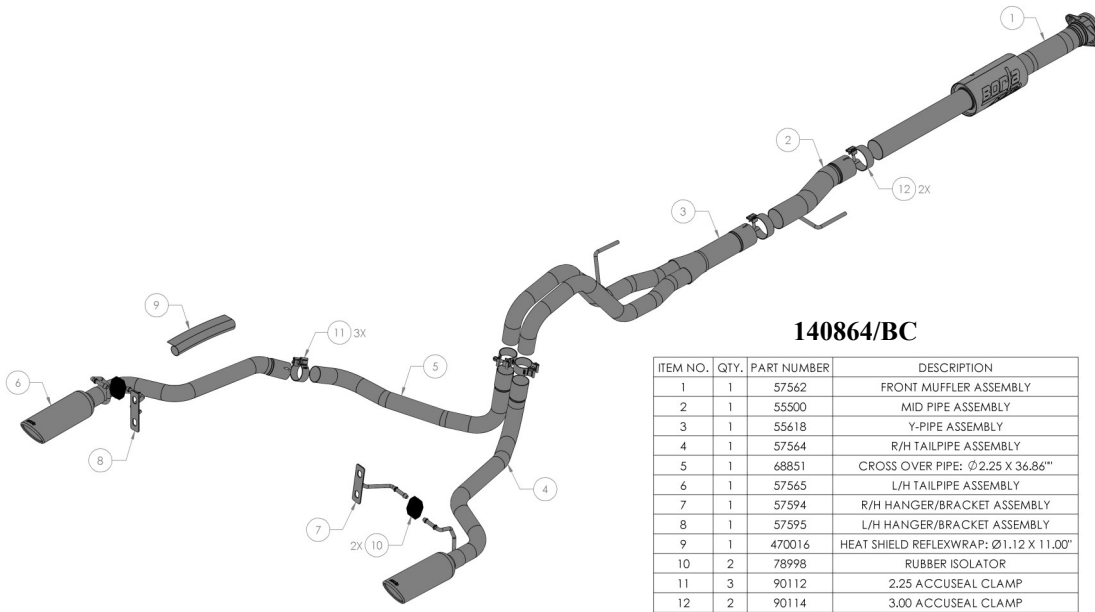
ITEM NO.	QTY.	PART NUMBER	DESCRIPTION
1	1	57560	FRONT MUFFLER ASSEMBLY
2	1	55500	MID PIPE ASSEMBLY
3	1	57563	MID MUFFLER ASSEMBLY
4	1	57564	R/H TAILPIPE ASSEMBLY
5	1	68851	CROSS OVER PIPE: Ø2.25 X 36.86"
6	1	57565	L/H TAILPIPE ASSEMBLY
7	1	57594	R/H HANGER/BRACKET ASSEMBLY
8	1	57595	L/H HANGER/BRACKET ASSEMBLY
9	1	470016	HEAT SHIELD REFLEXWRAP: Ø1.12 X 11.00"
10	2	78998	RUBBER ISOLATOR
11	3	90112	2.25 ACCUSEAL CLAMP
12	2	90114	3.00 ACCUSEAL CLAMP

Borla Performance - Bill of Materials



140863/BC

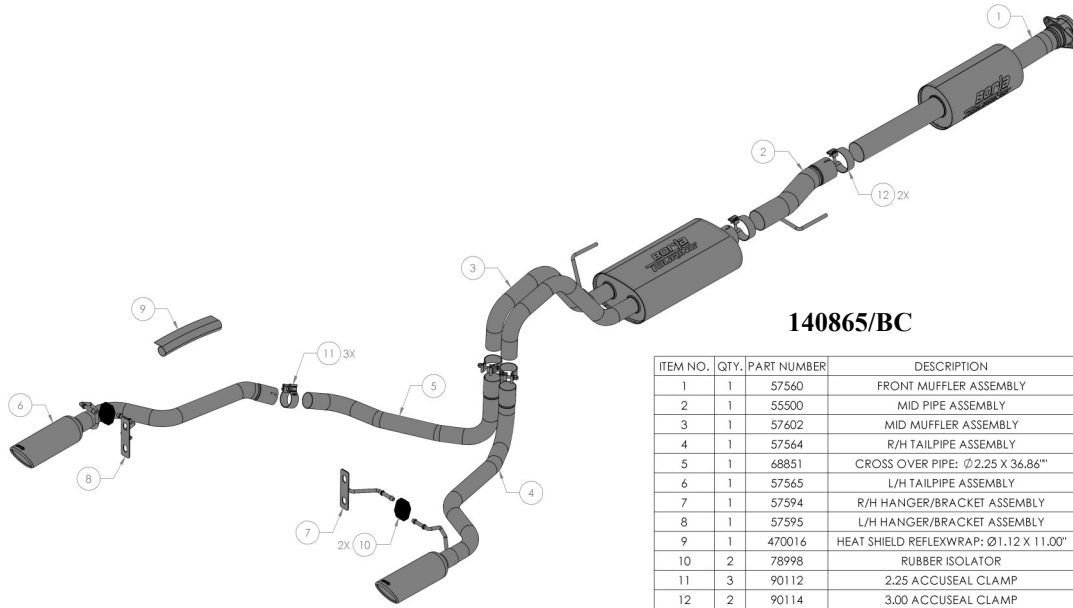
ITEM NO.	QTY.	PART NUMBER	DESCRIPTION
1	1	57561	FRONT MUFFLER ASSEMBLY
2	1	55500	MID PIPE ASSEMBLY
3	1	55618	Y-PIPE ASSEMBLY
4	1	57564	R/H TAILPIPE ASSEMBLY
5	1	68851	CROSS OVER PIPE: Ø2.25 X 36.86"
6	1	57565	L/H TAILPIPE ASSEMBLY
7	1	470016	HEAT SHIELD REFLEXWRAP: Ø1.12 X 11.00"
8	1	57594	R/H HANGER/BACKET ASSEMBLY
9	1	57595	L/H HANGER/BACKET ASSEMBLY
10	2	78998	RUBBER ISOLATOR
11	3	90112	2.25 ACCUSEAL CLAMP
12	2	90114	3.00 ACCUSEAL CLAMP



140864/BC

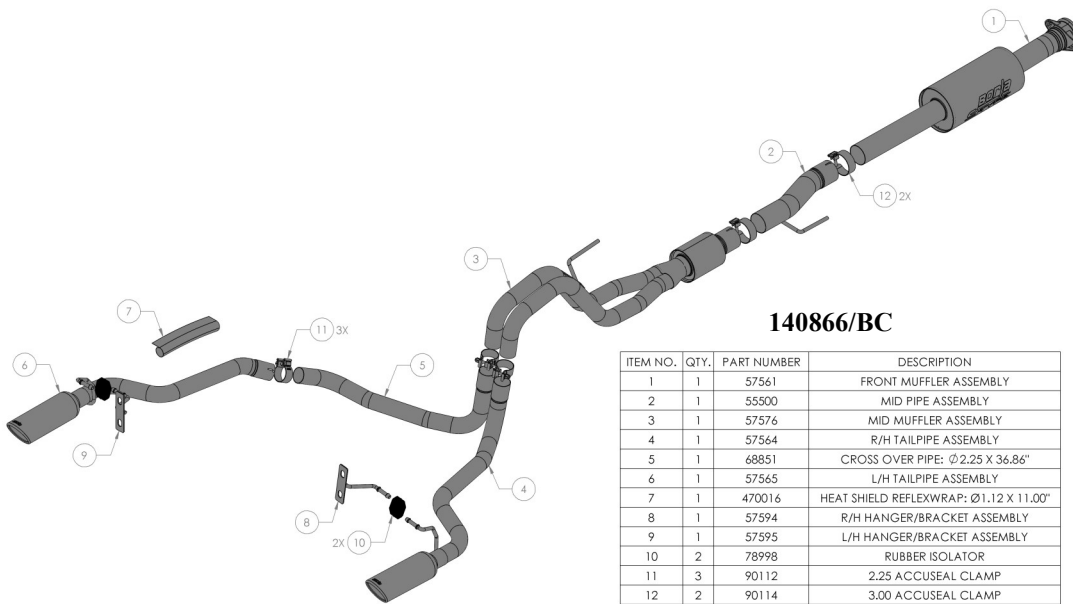
ITEM NO.	QTY.	PART NUMBER	DESCRIPTION
1	1	57562	FRONT MUFFLER ASSEMBLY
2	1	55500	MID PIPE ASSEMBLY
3	1	55618	Y-PIPE ASSEMBLY
4	1	57564	R/H TAILPIPE ASSEMBLY
5	1	68851	CROSS OVER PIPE: Ø2.25 X 36.86"
6	1	57565	L/H TAILPIPE ASSEMBLY
7	1	57594	R/H HANGER/BACKET ASSEMBLY
8	1	57595	L/H HANGER/BACKET ASSEMBLY
9	1	470016	HEAT SHIELD REFLEXWRAP: Ø1.12 X 11.00"
10	2	78998	RUBBER ISOLATOR
11	3	90112	2.25 ACCUSEAL CLAMP
12	2	90114	3.00 ACCUSEAL CLAMP

Borla Performance - Bill of Materials



140865/BC

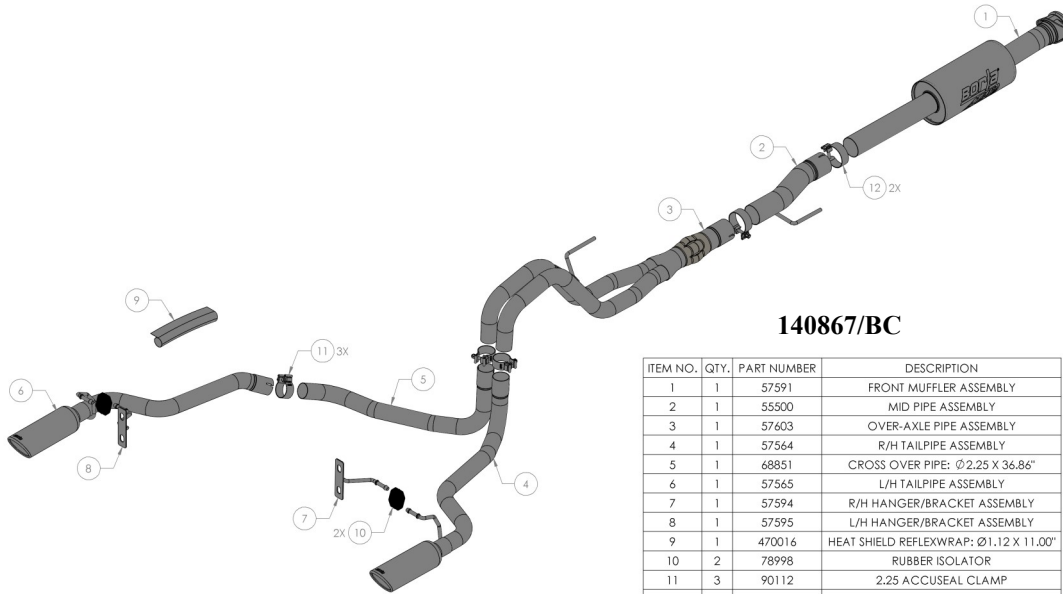
ITEM NO.	QTY.	PART NUMBER	DESCRIPTION
1	1	57560	FRONT MUFFLER ASSEMBLY
2	1	55500	MID PIPE ASSEMBLY
3	1	57602	MID MUFFLER ASSEMBLY
4	1	57564	R/H TAILPIPE ASSEMBLY
5	1	68851	CROSS OVER PIPE: Ø 2.25 X 36.86"
6	1	57565	L/H TAILPIPE ASSEMBLY
7	1	57594	R/H HANGER/BACKET ASSEMBLY
8	1	57595	L/H HANGER/BACKET ASSEMBLY
9	1	470016	HEAT SHIELD REFLEXWRAP: Ø 1.12 X 11.00"
10	2	78998	RUBBER ISOLATOR
11	3	90112	2.25 ACCUSEAL CLAMP
12	2	90114	3.00 ACCUSEAL CLAMP



140866/BC

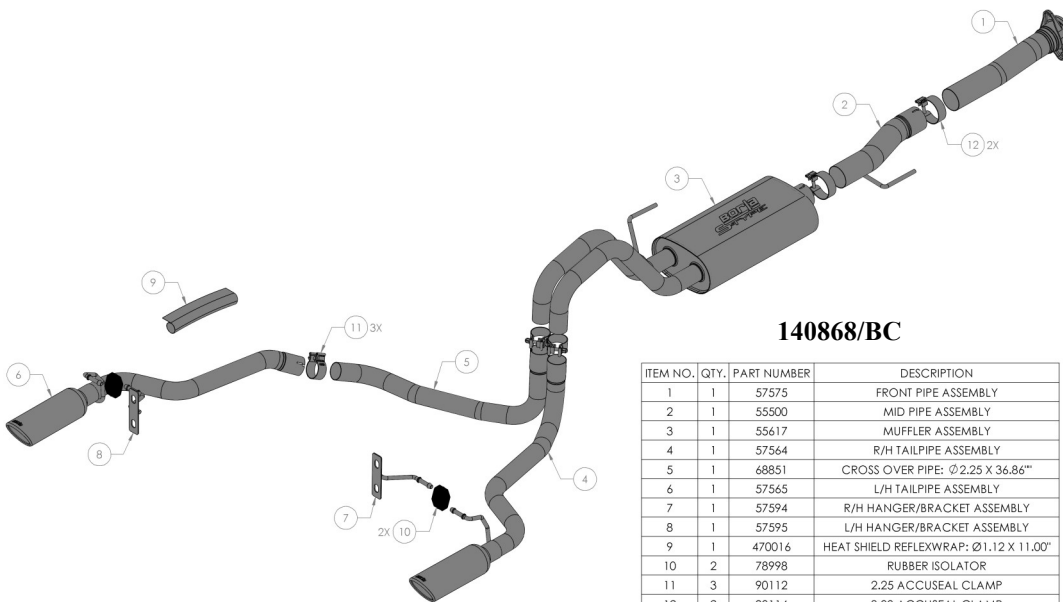
ITEM NO.	QTY.	PART NUMBER	DESCRIPTION
1	1	57561	FRONT MUFFLER ASSEMBLY
2	1	55500	MID PIPE ASSEMBLY
3	1	57576	MID MUFFLER ASSEMBLY
4	1	57564	R/H TAILPIPE ASSEMBLY
5	1	68851	CROSS OVER PIPE: Ø 2.25 X 36.86"
6	1	57565	L/H TAILPIPE ASSEMBLY
7	1	470016	HEAT SHIELD REFLEXWRAP: Ø 1.12 X 11.00"
8	1	57594	R/H HANGER/BACKET ASSEMBLY
9	1	57595	L/H HANGER/BACKET ASSEMBLY
10	2	78998	RUBBER ISOLATOR
11	3	90112	2.25 ACCUSEAL CLAMP
12	2	90114	3.00 ACCUSEAL CLAMP

Borla Performance - Bill of Materials



140867/BC

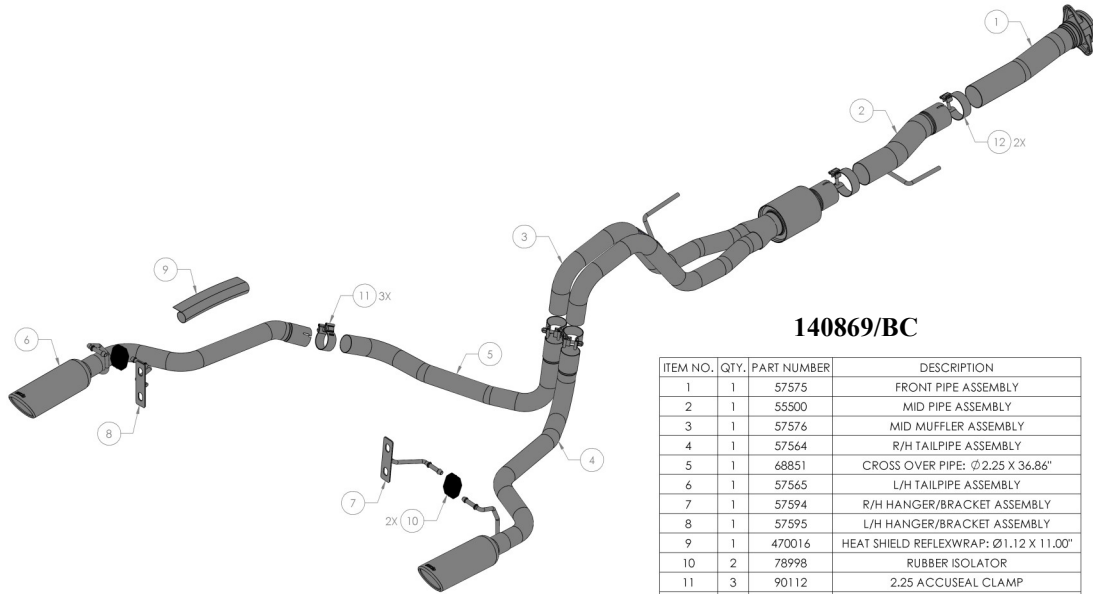
ITEM NO.	QTY.	PART NUMBER	DESCRIPTION
1	1	57591	FRONT MUFFLER ASSEMBLY
2	1	55500	MID PIPE ASSEMBLY
3	1	57603	OVER-AXLE PIPE ASSEMBLY
4	1	57564	R/H TAILPIPE ASSEMBLY
5	1	68851	CROSS OVER PIPE: Ø2.25 X 36.86"
6	1	57565	L/H TAILPIPE ASSEMBLY
7	1	57594	R/H HANGER/BRACKET ASSEMBLY
8	1	57595	L/H HANGER/BRACKET ASSEMBLY
9	1	470016	HEAT SHIELD REFLEXWRAP: Ø1.12 X 11.00"
10	2	78998	RUBBER ISOLATOR
11	3	90112	2.25 ACCUSEAL CLAMP
12	2	90114	3.00 ACCUSEAL CLAMP



140868/BC

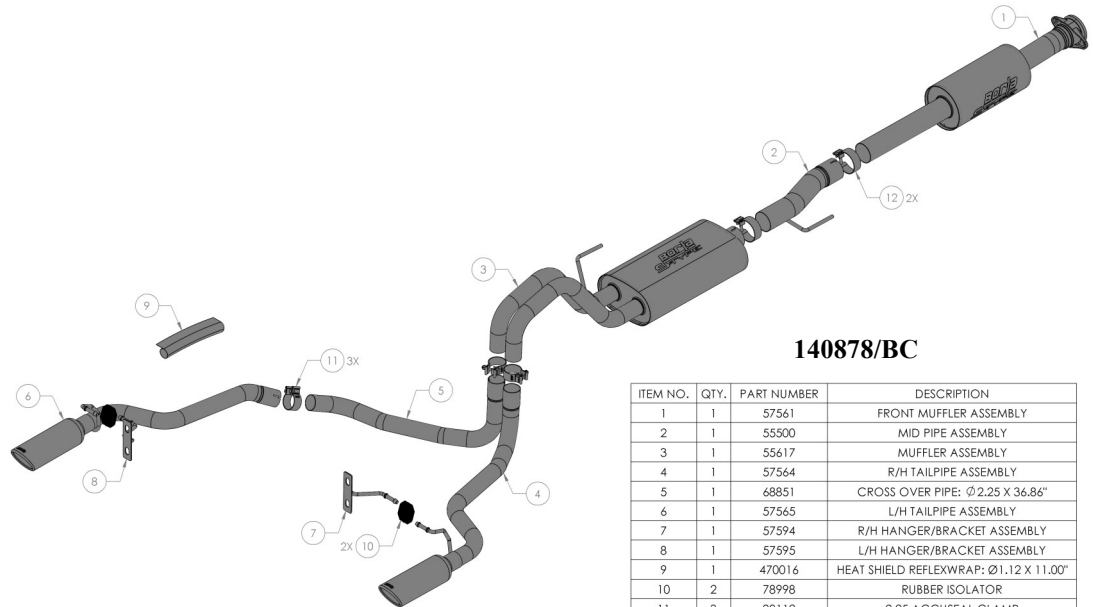
ITEM NO.	QTY.	PART NUMBER	DESCRIPTION
1	1	57575	FRONT PIPE ASSEMBLY
2	1	55500	MID PIPE ASSEMBLY
3	1	55617	MUFFLER ASSEMBLY
4	1	57564	R/H TAILPIPE ASSEMBLY
5	1	68851	CROSS OVER PIPE: Ø2.25 X 36.86"
6	1	57565	L/H TAILPIPE ASSEMBLY
7	1	57594	R/H HANGER/BRACKET ASSEMBLY
8	1	57595	L/H HANGER/BRACKET ASSEMBLY
9	1	470016	HEAT SHIELD REFLEXWRAP: Ø1.12 X 11.00"
10	2	78998	RUBBER ISOLATOR
11	3	90112	2.25 ACCUSEAL CLAMP
12	2	90114	3.00 ACCUSEAL CLAMP

Borla Performance - Bill of Materials



140869/BC

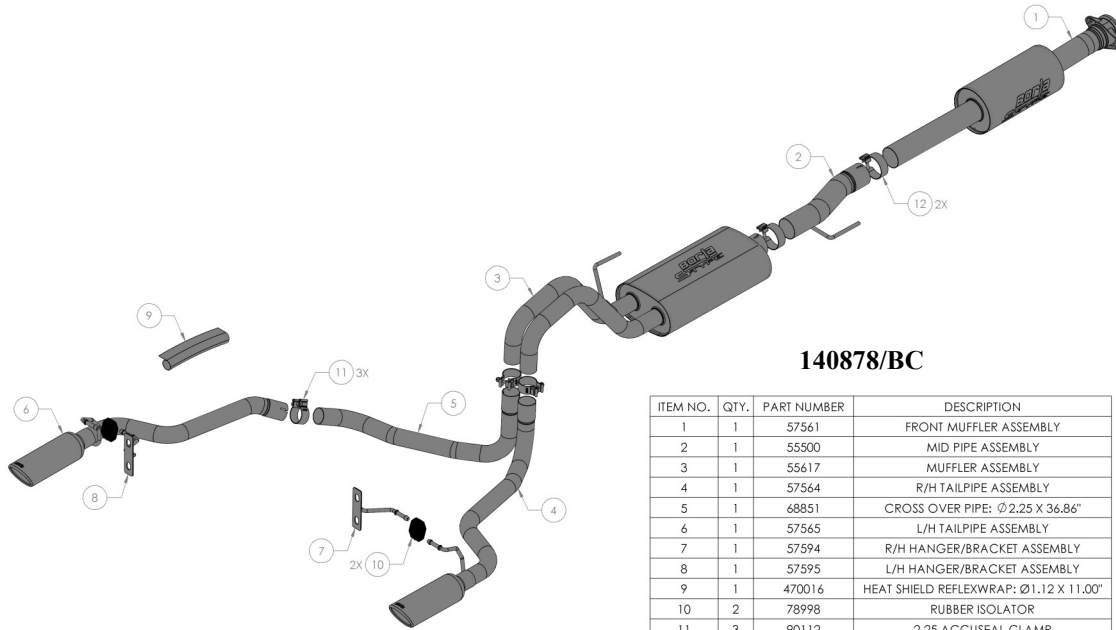
ITEM NO.	QTY.	PART NUMBER	DESCRIPTION
1	1	57575	FRONT PIPE ASSEMBLY
2	1	55500	MID PIPE ASSEMBLY
3	1	57576	MID MUFFLER ASSEMBLY
4	1	57564	R/H TAILPIPE ASSEMBLY
5	1	68851	CROSS OVER PIPE: Ø2.25 X 36.86"
6	1	57565	L/H TAILPIPE ASSEMBLY
7	1	57594	R/H HANGER/BRACKET ASSEMBLY
8	1	57595	L/H HANGER/BRACKET ASSEMBLY
9	1	470016	HEAT SHIELD REFLEXWRAP: Ø1.12 X 11.00"
10	2	78998	RUBBER ISOLATOR
11	3	90112	2.25 ACCUSEAL CLAMP
12	2	90114	3.00 ACCUSEAL CLAMP



140878/BC

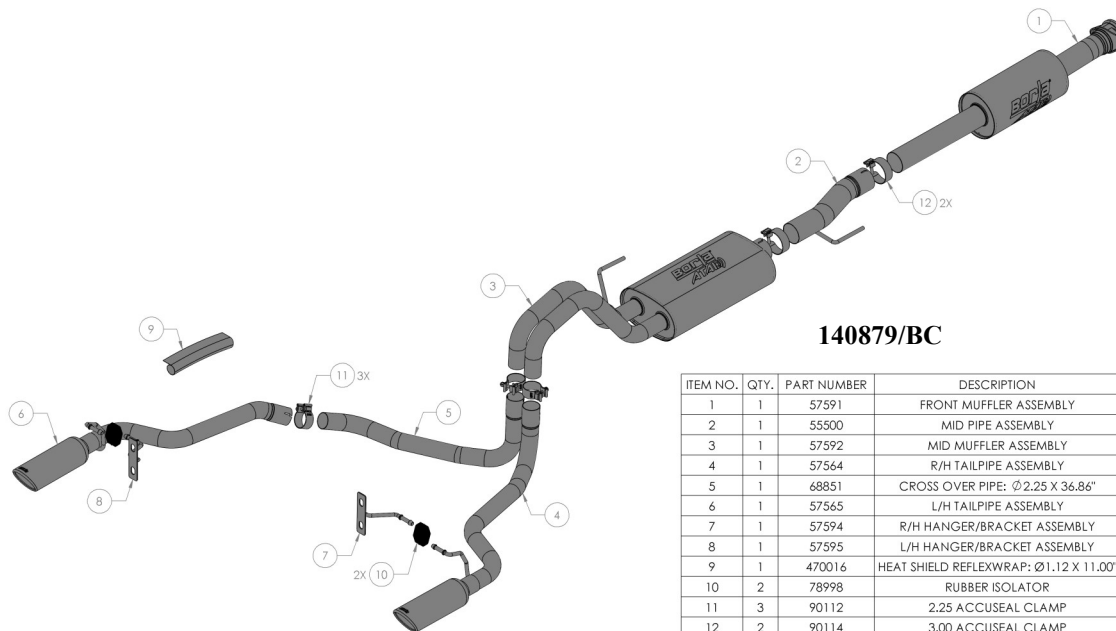
ITEM NO.	QTY.	PART NUMBER	DESCRIPTION
1	1	57561	FRONT MUFFLER ASSEMBLY
2	1	55500	MID PIPE ASSEMBLY
3	1	55617	MUFFLER ASSEMBLY
4	1	57564	R/H TAILPIPE ASSEMBLY
5	1	68851	CROSS OVER PIPE: Ø2.25 X 36.86"
6	1	57565	L/H TAILPIPE ASSEMBLY
7	1	57594	R/H HANGER/BRACKET ASSEMBLY
8	1	57595	L/H HANGER/BRACKET ASSEMBLY
9	1	470016	HEAT SHIELD REFLEXWRAP: Ø1.12 X 11.00"
10	2	78998	RUBBER ISOLATOR
11	3	90112	2.25 ACCUSEAL CLAMP
12	2	90114	3.00 ACCUSEAL CLAMP

Borla Performance - Bill of Materials



140878/BC

ITEM NO.	QTY.	PART NUMBER	DESCRIPTION
1	1	57561	FRONT MUFFLER ASSEMBLY
2	1	55500	MID PIPE ASSEMBLY
3	1	55617	MUFFLER ASSEMBLY
4	1	57564	R/H TAILPIPE ASSEMBLY
5	1	68851	CROSS OVER PIPE: Ø 2.25 X 36.86"
6	1	57565	L/H TAILPIPE ASSEMBLY
7	1	57594	R/H HANGER/BRACKET ASSEMBLY
8	1	57595	L/H HANGER/BRACKET ASSEMBLY
9	1	470016	HEAT SHIELD REFLEXWRAP: Ø1.12 X 11.00"
10	2	78998	RUBBER ISOLATOR
11	3	90112	2.25 ACCUSEAL CLAMP
12	2	90114	3.00 ACCUSEAL CLAMP



140879/BC

ITEM NO.	QTY.	PART NUMBER	DESCRIPTION
1	1	57591	FRONT MUFFLER ASSEMBLY
2	1	55500	MID PIPE ASSEMBLY
3	1	57592	MID MUFFLER ASSEMBLY
4	1	57564	R/H TAILPIPE ASSEMBLY
5	1	68851	CROSS OVER PIPE: Ø 2.25 X 36.86"
6	1	57565	L/H TAILPIPE ASSEMBLY
7	1	57594	R/H HANGER/BRACKET ASSEMBLY
8	1	57595	L/H HANGER/BRACKET ASSEMBLY
9	1	470016	HEAT SHIELD REFLEXWRAP: Ø1.12 X 11.00"
10	2	78998	RUBBER ISOLATOR
11	3	90112	2.25 ACCUSEAL CLAMP
12	2	90114	3.00 ACCUSEAL CLAMP

Caution!!! *Never work on a hot exhaust system. Serious injury in the form of burns can result if the vehicle has been in use and the exhaust system is hot, allow vehicle to cool for at least 1 hour. Always wear eye protection when working under any vehicle.*

Note: *It is our recommendation that you use a hoist or hydraulic lift to facilitate the installation of your new Borla Performance Exhaust System.*

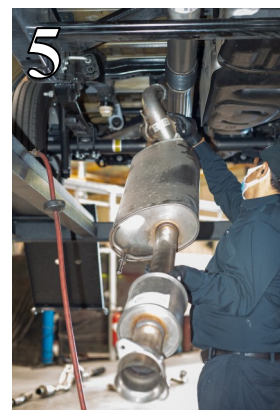
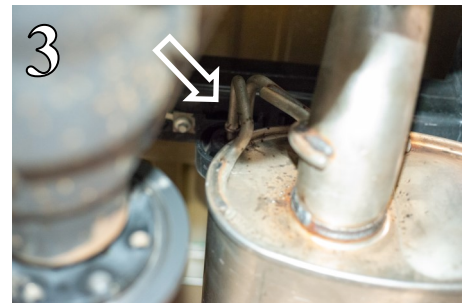
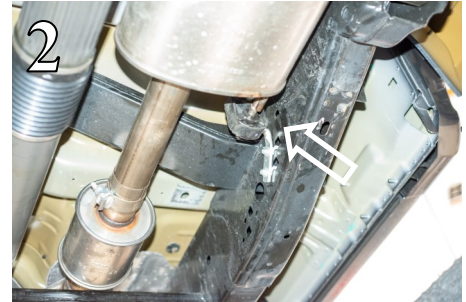
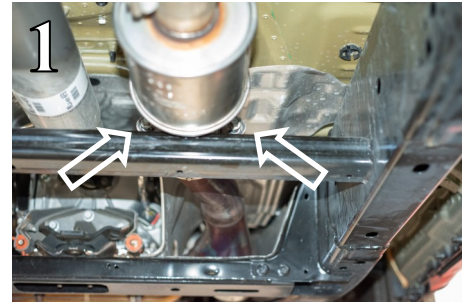
Taking all under car safety precautions, lift the vehicle using a hoist or hydraulic lift. Once this has been done, you may begin the removal of your old exhaust system from your vehicle.

Note: *Before removing the original exhaust system from your vehicle, please compare the parts you have received with the bill of materials provided on the previous page to assure that you have all the parts necessary for the installation of your new Borla Performance Exhaust System.*

Note: *With a used vehicle, we suggest a penetrating spray lubricant to be applied liberally to all exhaust fasteners and allowing a significant period of time for the chemical to lubricate the threads before attempting to disassemble.*

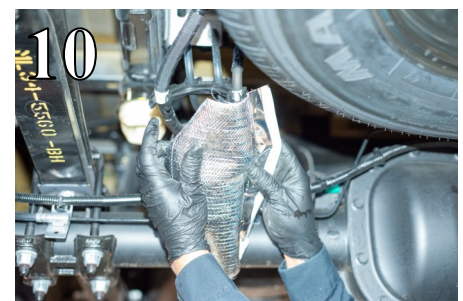
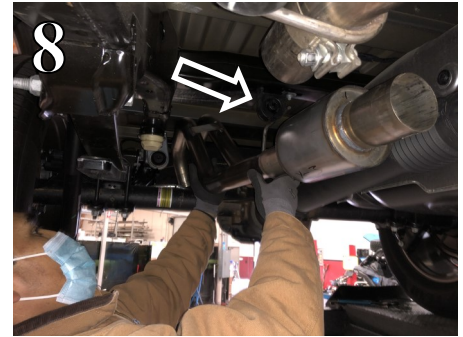
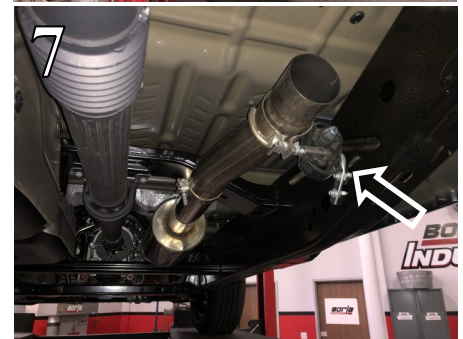
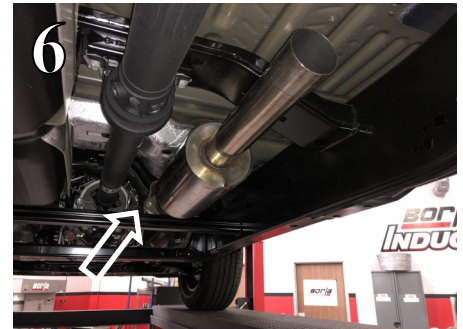
Original Exhaust System Removal

1. Lubricate all hangers, rubber isolators, bolts and nuts.
2. Remove the hardware connecting original front muffler assembly to vehicle (Fig. 1)
3. Using a flathead screwdriver or a prybar, remove the muffler assembly hangers from the rubber isolators (Figs. 2-4).
4. Using a muffler stand or an additional person, carefully remove the original exhaust system by bringing it toward the front of the vehicle (Fig. 5).
5. Original exhaust system removed.



Borla Performance Cat-Back™ Exhaust System Installation

- Orient components on shop floor according to Borla bill of materials drawing on pages 2-7.
- Install **Front Muffler Assembly** using the original hardware. (Fig. 6) Lightly tighten the bolts. Note: users with a wheelbase of 122.8" will not have a **Front Muffler Assembly**, but will instead have a **Front Pipe Assembly**. Installation between the two is the same.
- Place a clamp over the expanded end of the **Mid Pipe Assembly** and insert the inlet to the **Front Muffler Assembly**. Insert the hanger into the original rubber isolator. (Fig. 7) Do not tighten the clamp.
- Place a clamp over the expanded end of the **Muffler Assembly** and insert the inlet to the **Mid Pipe Assembly**. Insert the hanger into the original rubber isolator. (Fig. 8) Do not tighten the clamp.
- Place the heat shield that is provided and wrap on the brake line to prevent damage. (Figs. 10-11)

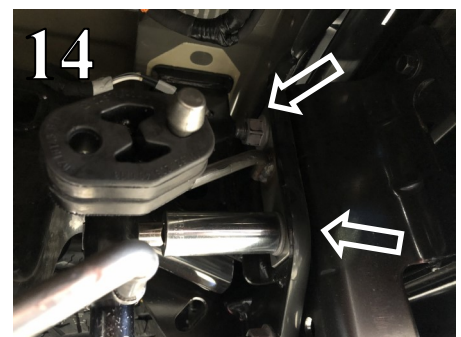
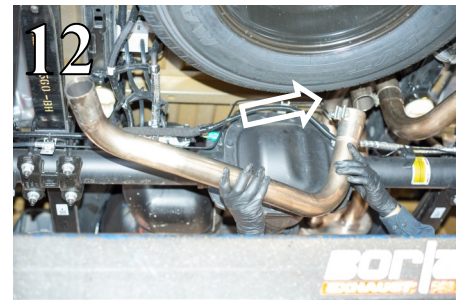
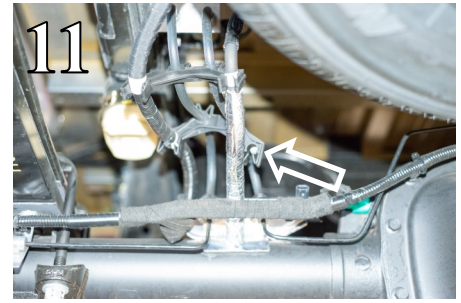


WARNING: Use extreme caution during installation. Torque all fasteners according to manufacturer's torque values and tightening sequence. **DO NOT** use air impact tools to tighten fasteners on Borla Performance Exhaust Systems. Use of such tools may result in bent flanges or gasket contact areas leading to exhaust leaks.

NOTE: When you first start your vehicle after the installation of your new Borla Performance Exhaust System, there may be some smoke and fumes coming from the system. This is a protective oil based coating used in the manufacturing of mandrel bent performance exhaust tubing. This is not a problem and will disappear within a very short period of time after the exhaust has reached normal operating temperatures.

Borla Performance Cat-Back™ Exhaust System Installation

11. Place a clamp on the expanded end of the **Cross Over Pipe** and insert the inlet into the outlet of the **Muffler Assembly**. (See Fig. 12, white arrow) Do not tighten the clamp.
12. Install provided **Hanger Bracket Assemblies** onto both sides of the vehicle. (See Figs. 13-14, white arrow)
13. Place a clamp on the expanded end of the **L/H Tailpipe Assembly** and insert the inlet into the outlet of the **Cross Over Pipe**. Insert the hanger into the provided rubber isolator. (See Figs. 15-16, white arrow) Do not tighten the clamp.

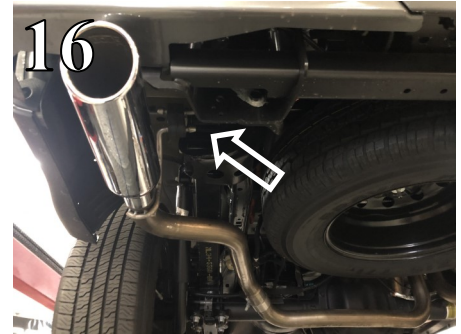


WARNING: Use extreme caution during installation. Torque all fasteners according to manufacturer's torque values and tightening sequence. **DO NOT** use air impact tools to tighten fasteners on Borla Performance Exhaust Systems. Use of such tools may result in bent flanges or gasket contact areas leading to exhaust leaks.

NOTE: When you first start your vehicle after the installation of your new Borla Performance Exhaust System, there may be some smoke and fumes coming from the system. This is a protective oil based coating used in the manufacturing of mandrel bent performance exhaust tubing. This is not a problem and will disappear within a very short period of time after the exhaust has reached normal operating temperatures.

Borla Performance Cat-Back™ Exhaust System Installation

14. Place a clamp on the expanded end of the **R/H Tailpipe Assembly** and insert the inlet into the outlet of the **Muffler Assembly**. Insert the hanger into the provided rubber isolator. (See Fig. 17, white arrow) Do not tighten the clamp.
15. Once position has been determined to be correct, tighten the Accuseal clamps to 32-35 ft. lbs.
16. Before starting your vehicle, make sure to check all wires, hoses, brake lines, body parts and tires for safe clearance from the exhaust system. (See Fig. 18)
17. Start the vehicle and check for any leaks. If any leaks are found, determine cause (such as loose or incorrectly positioned clamp) and repair as necessary.



WARNING: Use extreme caution during installation. Torque all fasteners according to manufacturer's torque values and tightening sequence. **DO NOT** use air impact tools to tighten fasteners on Borla Performance Exhaust Systems. Use of such tools may result in bent flanges or gasket contact areas leading to exhaust leaks.

NOTE: When you first start your vehicle after the installation of your new Borla Performance Exhaust System, there may be some smoke and fumes coming from the system. This is a protective oil based coating used in the manufacturing of mandrel bent performance exhaust tubing. This is not a problem and will disappear within a very short period of time after the exhaust has reached normal operating temperatures.