

## Tailgate Mat - Toyota Tacoma

### TAILGATE MAT INSTALLATION INSTRUCTIONS TOYOTA TACOMA

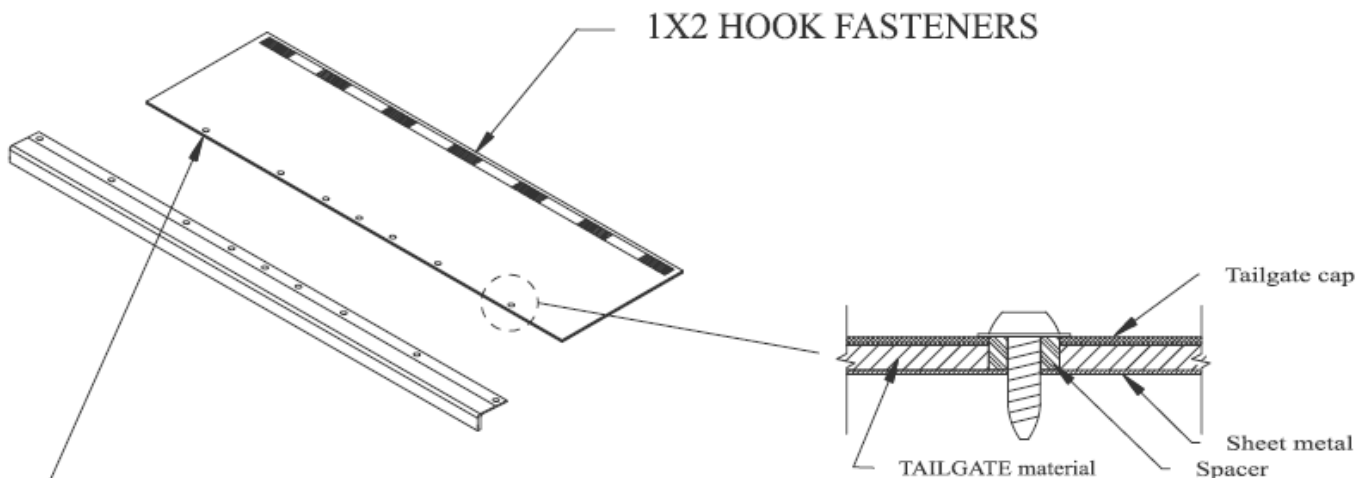
**WARNING: IMPROPER INSTALLATION WILL RESULT IN MAT FLYING OUT OF THE TRUCK!**

**FOLLOW INSTRUCTIONS EXACTLY!**

APPROXIMATE INITIAL INSTALLATION TIME LESS THAN 10 MINUTES

1. Loop fastener is sewn to the Tailgate Mat. Attach the hook fasteners that have a self-adhesive backing to the loop fasteners. (7) hook fasteners are included in the kit.
  2. Remove the screws from the tailgate cap. **DO NOT REMOVE THE CAP.** Slide the top of the tailgate mat up under the edge of the tailgate cap.
  3. Adjust the tailgate mat so that the holes in the mat align with the holes in the tailgate cap. Install the screws in the tailgate cap using the spacers provided (See illustration below). Note: The spacers are provided so that the screws can be tightened securely and the cap surface will remain flat.
  4. Roll the bottom of the tailgate up exposing the area where the hook fasteners are to be adhered.
  5. Using a cloth, soap and water, clean and dry this area thoroughly removing all dirt and debris. With a separate cloth, clean the area again with alcohol.
  6. Remove the protective liner exposing the adhesive and lay the Tailgate Mat down and **FIRMLY** rub the fastener down **VERY AGGRESSIVELY** to assure full engagement of the fastener and the adhesive.
- NOTE: TAILGATE SURFACE TEMPERATURE SHOULD BE 68 DEGREES F OR HIGHER IN ORDER FOR THE HOOK FASTENER TO ACHIEVE MAXIMUM ADHESION. ALSO, NEVER CONTAMINATE THE ADHESIVE BY TOUCHING IT WITH YOUR FINGERS.

### FASTENER LOCATIONS



Remove screws in tailgate cap.  
**DO NOT REMOVE CAP FROM TRUCK.** Top of tailgate material fits under lower edge of cap.

EXPLODED VIEW  
(After installation)

## Tailgate Mat - Toyota Tacoma

### CLEANING INFORMATION

The mildew resistant Bed Mat foam will not absorb liquids. The engineered polypropylene fiber top surface resists stains and deterioration from most acids, chemicals, gas and oils, etc. Therefore, by following the cleaning instructions below, your Bed Mat will remain serviceable for as long as you own your truck.

#### Cleaning your Bed Mat is easy:

1. A vacuum, broom, brush or compressed air can be used to remove dirt, grime, sand, mulch, etc. Due to the fact that water will not harm the Bed Mat, pressure washing is also an effective way to clean a soiled Bed Mat.
2. Although most acids will not harm the Bed Mat, baking soda should be applied immediately to neutralize the acid to ensure the safety of the paint on the truck.
3. To clean tougher jobs such as gasoline, oil, chemicals, acid spills or leaks from your Bed Mat use detergent soap with degreaser and water, then rinse thoroughly. This detergent soap is used in most car wash locations with pressure washing equipment. The Bed Mat polypropylene closed-cell foam will not absorb water and the polypropylene fiber dries in minutes.

Retain this cleaning information with your vehicle owner's manual for future reference.

## Congratulations!

We take the utmost pride in our products and want you to enjoy years of satisfaction from your investment. We have made every effort to ensure that your product is top quality in terms of fit, durability, finish and ease of installation.

[www.huskyliners.com](http://www.huskyliners.com)

Phone: 800-344-8759

Email: [customerservice@huskyliners.com](mailto:customerservice@huskyliners.com)



**GUARANTEED...FOR LIFE.**