

Guardian Comfort and Guardian Impact Bed Mat

GUARDIAN COMFORT AND GUARDIAN IMPACT BED MAT INSTALLATION INSTRUCTIONS WARNING: IMPROPER INSTALLATION WILL RESULT IN MAT FLYING OUT OF THE TRUCK!

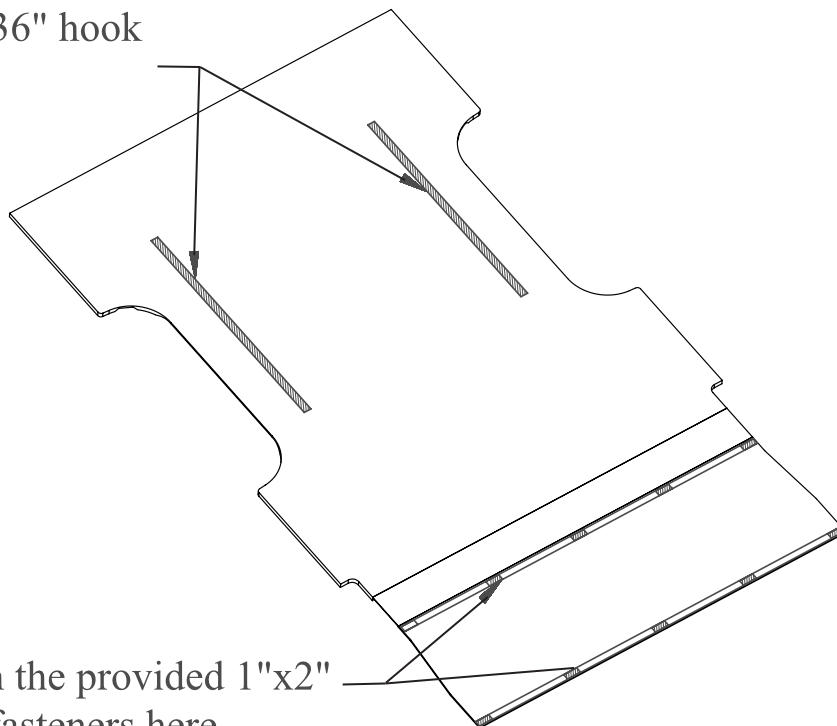
FOLLOW INSTRUCTIONS EXACTLY!

APPROXIMATE INITIAL INSTALLATION TIME LESS THAN 15 MINUTES

1. Loop fasteners are sewn to the bed mat floor panel. Attach the (2) 36in hook fasteners that have a self-adhesive backing to the loop fasteners on the floor.
2. Lay the bed mat in the bed of the truck to determine the exact location and fit.
3. Roll one side of the mat up exposing the floor area where the strip of hook fastener is to be adhered.
4. If the vehicle has a spray in liner, scuff the areas where the hook fasteners are to be attached using steel wool or sandpaper. This must be done to provide a very rough surface for the adhesive to adhere to.
5. Using a cloth, soap and water, clean and dry this area thoroughly removing all dirt and debris. With a separate cloth, clean the area again with alcohol. Once the area has been cleaned with alcohol, apply the adhesive promoter to a lint free cloth then apply a thin layer to surfaces that have a spray in liner. THE ADHESIVE PROMOTER IS NOT REQUIRED AND SHOULD NOT BE USED FOR APPLYING HOOK FASTENERS TO PAINTED SHEET METAL. Allow the promoter to dry before adhering hook fasteners. *See adhesive promoter information on the promoter package.
6. Remove the protective liner exposing the adhesive and lay the bed mat down and FIRMLY rub the fastener down VERY AGGRESSIVELY to assure full engagement of the fastener and the adhesive.
NOTE: TRUCK BED SURFACE TEMPERATURE SHOULD BE 68 DEGREES F OR HIGHER IN ORDER FOR THE HOOK FASTENER TO ACHIEVE MAXIMUM ADHESION. ALSO, NEVER CONTAMINATE THE ADHESIVE BY TOUCHING IT WITH YOUR FINGERS.
7. Repeat for the opposite side of the bed mat.
8. Carpeted versions of the tailgate mat have loop fasteners sewn at the top and bottom edges. Attach the 1"x 2" hook fasteners to the loop fasteners as shown in the illustration below. You may use more than is shown, if necessary.
9. Align upper edge of tailgate mat with the tailgate.
10. Repeat steps 4-6.

HOOK & LOOP FASTENER LOCATIONS

Attach the two 36" hook fasteners here.



Attach the provided 1"x2"
hook fasteners here.

Guardian Comfort and Guardian Impact Bed Mat

GUARDIAN COMFORT AND GUARDIAN IMPACT BED MAT INSTALLATION INSTRUCTIONS TOYOTA TACOMA

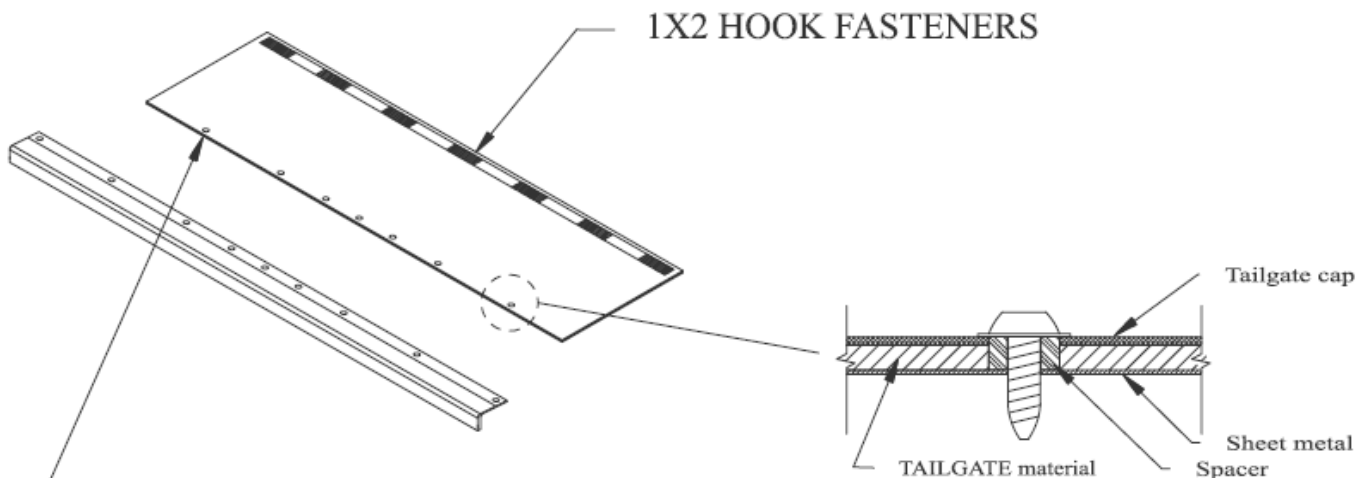
WARNING: IMPROPER INSTALLATION WILL RESULT IN MAT FLYING OUT OF THE TRUCK!

FOLLOW INSTRUCTIONS EXACTLY!

APPROXIMATE INITIAL INSTALLATION TIME LESS THAN 10 MINUTES

1. Loop fastener is sewn to the Tailgate Mat. Attach the hook fasteners that have a self-adhesive backing to the loop fasteners. (7) hook fasteners are included in the kit.
 2. Remove the screws from the tailgate cap. **DO NOT REMOVE THE CAP.** Slide the top of the tailgate mat up under the edge of the tailgate cap.
 3. Adjust the tailgate mat so that the holes in the mat align with the holes in the tailgate cap. Install the screws in the tailgate cap using the spacers provided (See illustration below). Note: The spacers are provided so that the screws can be tightened securely and the cap surface will remain flat.
 4. Roll the bottom of the tailgate up exposing the area where the hook fasteners are to be adhered.
 5. Using a cloth, soap and water, clean and dry this area thoroughly removing all dirt and debris. With a separate cloth, clean the area again with alcohol.
 6. Remove the protective liner exposing the adhesive and lay the Tailgate Mat down and **FIRMLY** rub the fastener down **VERY AGGRESSIVELY** to assure full engagement of the fastener and the adhesive.
- NOTE: TAILGATE SURFACE TEMPERATURE SHOULD BE 68 DEGREES F OR HIGHER IN ORDER FOR THE HOOK FASTENER TO ACHIEVE MAXIMUM ADHESION. ALSO, NEVER CONTAMINATE THE ADHESIVE BY TOUCHING IT WITH YOUR FINGERS.

FASTENER LOCATIONS



Remove screws in tailgate cap.
DO NOT REMOVE CAP FROM TRUCK. Top of tailgate material fits under lower edge of cap.

EXPLODED VIEW
(After installation)

Guardian Comfort and Guardian Impact Bed Mat

Care and Cleaning

- Wash only with mild soap & dry with a clean cloth.



The material that your product is made from can be recycled. Please also consider recycling the packaging that your product came in.

Congratulations!

We take the utmost pride in our products and want you to enjoy years of satisfaction from your investment. We have made every effort to ensure that your product is top quality in terms of fit, durability, finish and ease of installation.

www.huskyliners.com
Phone: 800-344-8759
Email: customerservice@huskyliners.com



GUARANTEED...FOR LIFE.